

.38 X .19 KEYWAY

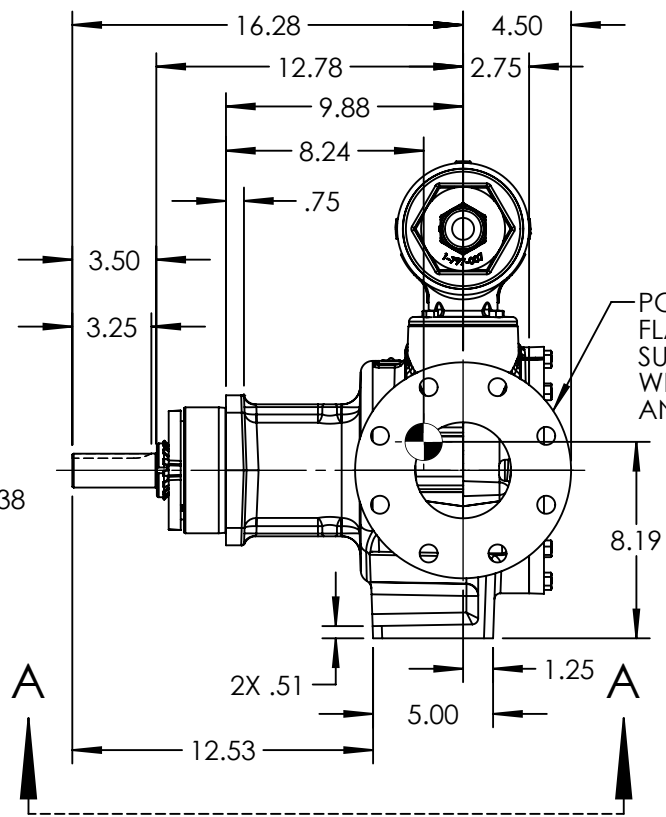
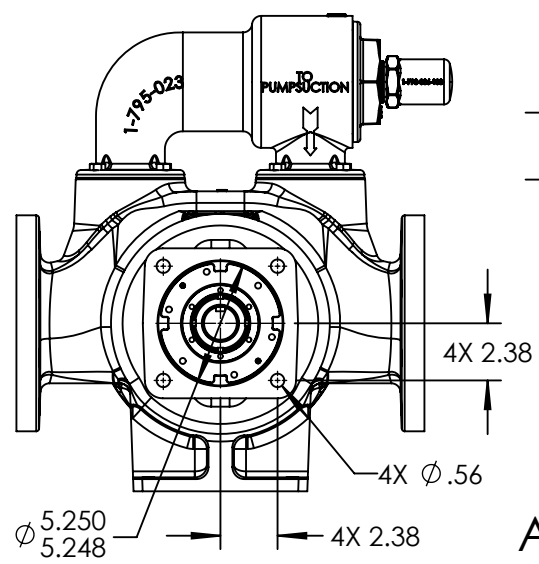
Ø 1.4375
Ø 1.4355

2X 3.00
2X 3.00

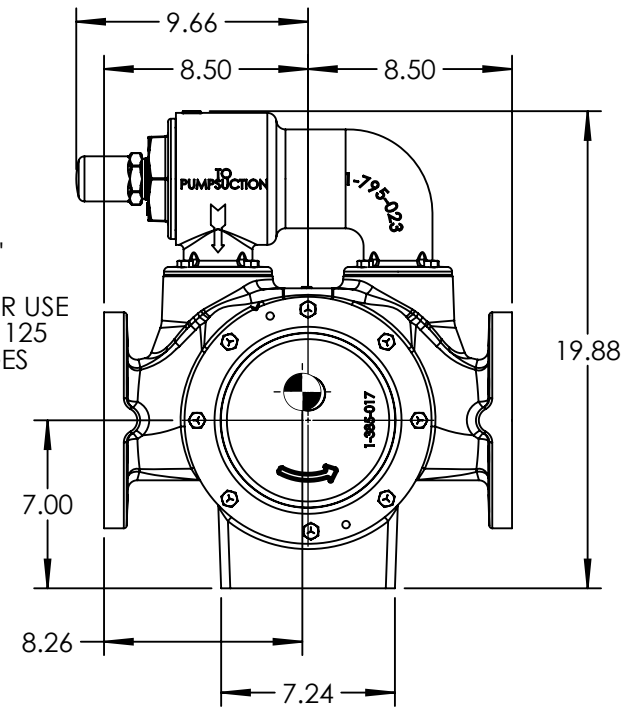
4X Ø .53

VIEW A-A

2X .25
2X 2.75



PORTS: 2X 4"
FLANGES
SUITABLE FOR USE
WITH CLASS 125
ANSI FLANGES



STANDARD MODELS: LQE4195, LSE4195

NOTES:
1. ALL DIMENSIONS ARE FOR REFERENCE ONLY.

STATE	Released	03/19/2015	DIMENSIONS ARE IN INCHES		VIKING PUMP, INC. A Unit of IDEX Corporation Cedar Falls, IA 50613 U.S.A.	THIS DRAWING IS THE PROPERTY OF VIKING PUMP, INC. AND IS PROPRIETARY IN GENERAL AND DETAIL. IT SHALL NOT BE COPIED OR ITS CONTENTS REVEALED TO OUTSIDE PARTIES WITHOUT THE WRITTEN CONSENT OF VIKING PUMP, INC.	DWG. NO. LVE-7	SHEET 1 OF 1	REV. A.0	
DRAWN	cmihm	12/17/2014	PROJECT: E151						3D	03/19/2015
CHECKED	BAM	03/19/2015	WAS: EX-E151-18							