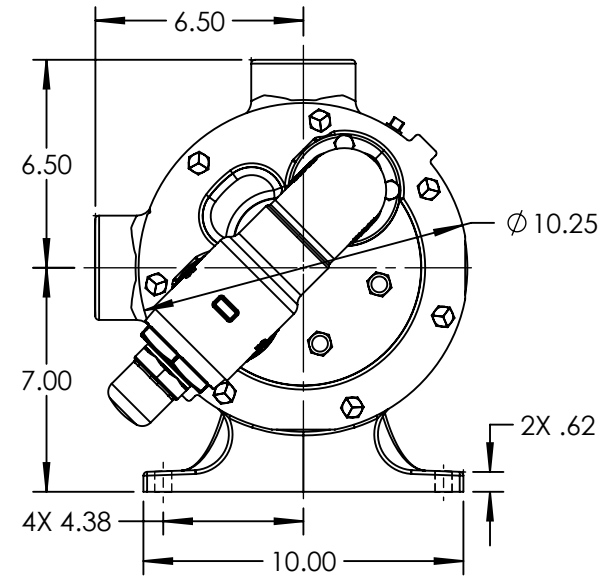
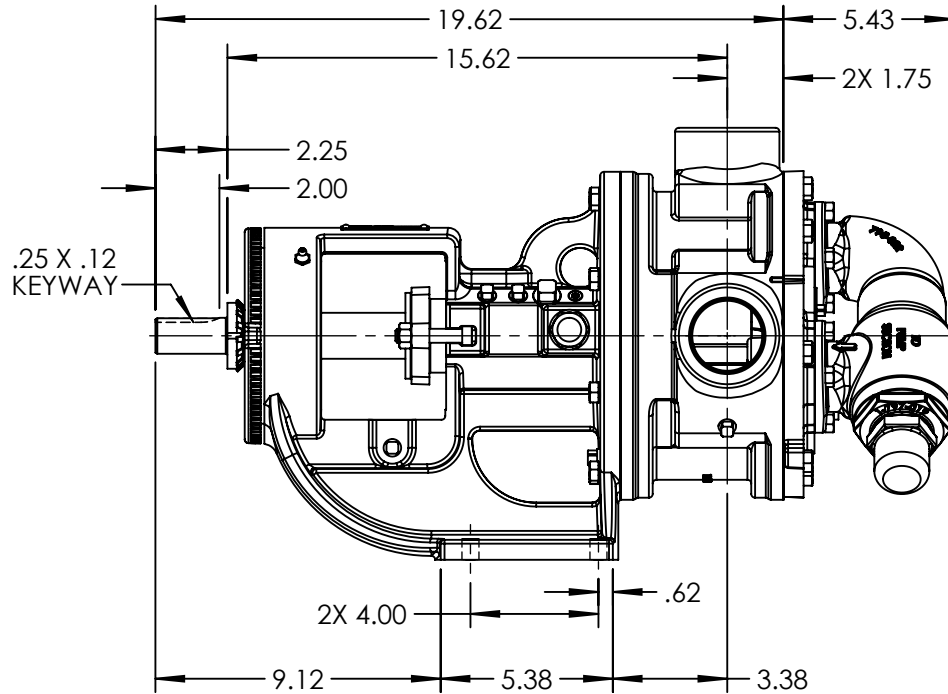


LEFT HAND PORT OPTION



STANDARD MODELS: L124E

NOTES:
 1. HEATER CONDUIT HIDDEN FOR CLARITY.

STATE	Approved	08/31/2011
DRAWN	tdutcher	5/9/2011
CHECKED	MSR	08/31/2011

DIMENSIONS ARE IN INCHES	
PROJECT: D380	
WAS:	



VIKING PUMP, INC.
 A Unit of IDEX Corporation
 Cedar Falls, IA 50613
 U.S.A.

THIS DRAWING IS THE PROPERTY OF VIKING PUMP, INC. AND IS PROPRIETARY IN GENERAL AND DETAIL. IT SHALL NOT BE COPIED OR ITS CONTENTS REVEALED TO OUTSIDE PARTIES WITHOUT THE WRITTEN CONSENT OF VIKING PUMP, INC.

3D

DWG. NO.
 LV-4127

SHEET 1 OF 1

REV. B.0