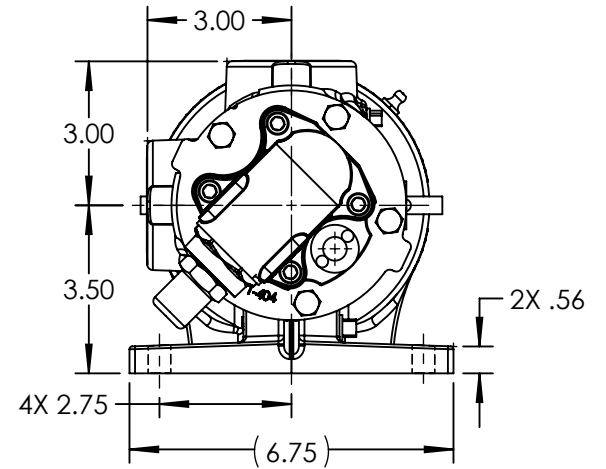
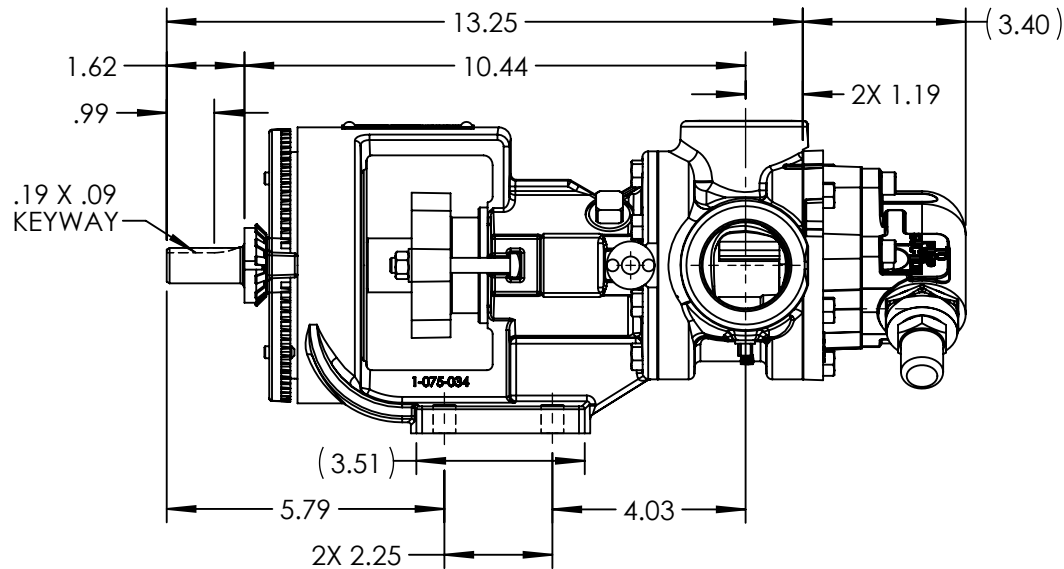


LEFT HAND PORT OPTION



STANDARD MODEL: HL124E

- NOTES:  
1. HEATER CONDUIT HIDDEN FOR CLARITY.

STATE	Check	07/01/2011
DRAWN	tdutcher	7/1/2011
CHECKED	-	-

DIMENSIONS ARE IN INCHES	
PROJECT:	D380
WAS:	



VIKING PUMP, INC.  
A Unit of IDEX Corporation  
Cedar Falls, IA 50613  
U.S.A.

THIS DRAWING IS THE PROPERTY OF VIKING PUMP, INC. AND IS PROPRIETARY IN GENERAL AND DETAIL. IT SHALL NOT BE COPIED OR ITS CONTENTS REVEALED TO OUTSIDE PARTIES WITHOUT THE WRITTEN CONSENT OF VIKING PUMP, INC.

3D

DWG. NO.  
HV-3812

SHEET 1 OF 1

REV. A.0