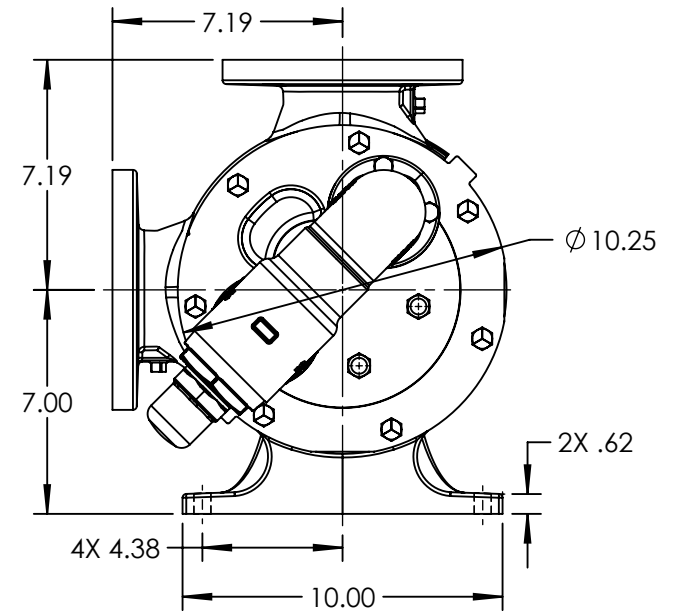
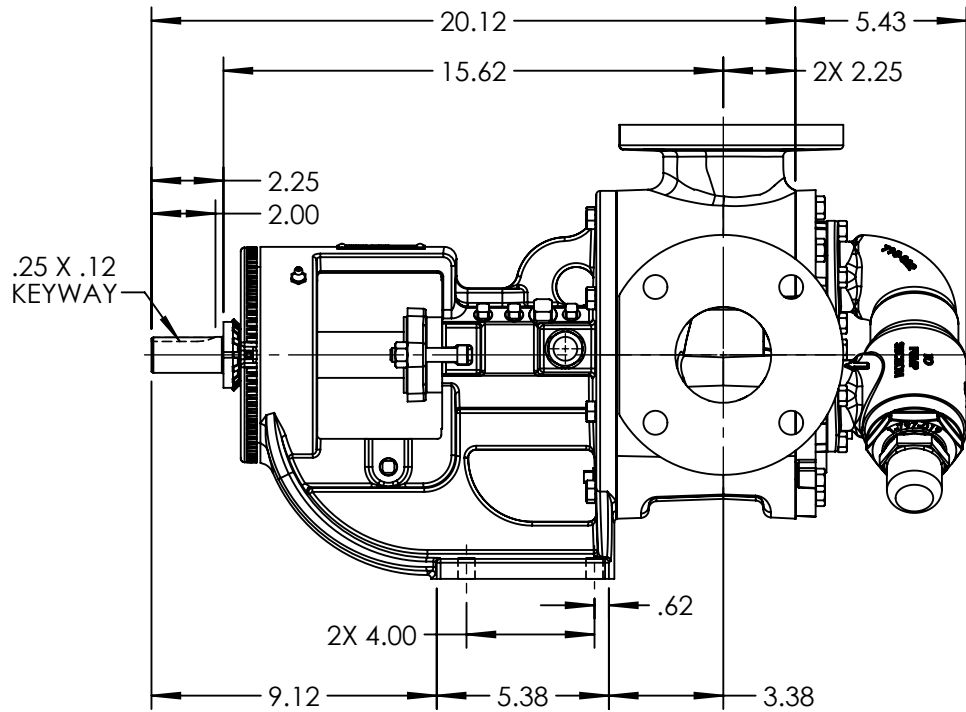


LEFT HAND PORT OPTION



NOTES:

1. HEATER CONDUIT HIDDEN FOR CLARITY

STANDARD MODELS: LL124E

STATE	Approved	08/31/2011
DRAWN	tdutcher	5/11/2011
CHECKED	MSR	08/31/2011

DIMENSIONS ARE IN  
 INCHES  
 PROJECT: D380  
 WAS:



VIKING PUMP, INC.  
 A Unit of IDEX Corporation  
 Cedar Falls, IA 50613  
 U.S.A.

THIS DRAWING IS THE PROPERTY OF  
 VIKING PUMP, INC. AND IS PROPRIETARY  
 IN GENERAL AND DETAIL. IT SHALL NOT BE  
 COPIED OR ITS CONTENTS REVEALED TO  
 OUTSIDE PARTIES WITHOUT THE WRITTEN  
 CONSENT OF VIKING PUMP, INC.

3D

DWG. NO.  
 LV-4130

SHEET 1 OF 1

REV. B.0