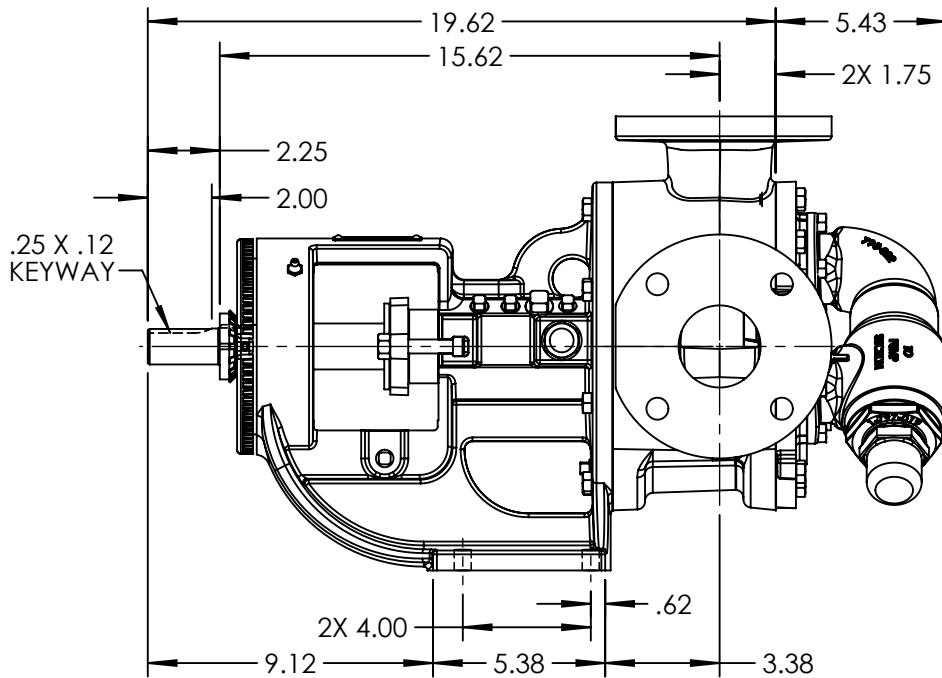
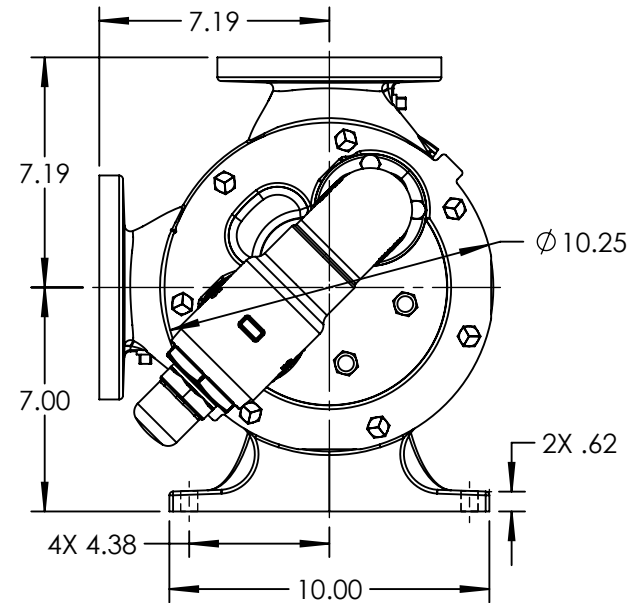


LEFT HAND PORT OPTION



STANDARD MODELS: LQ124E



NOTES:

1. HEATER CONDUIT HIDDEN FOR CLARITY.

STATE	Approved	08/31/2011
DRAWN	tdutcher	5/9/2011
CHECKED	MSR	08/31/2011

DIMENSIONS ARE IN INCHES	
PROJECT:	D380
WAS:	



VIKING PUMP, INC.
 A Unit of IDEX Corporation
 Cedar Falls, IA 50613
 U.S.A.

THIS DRAWING IS THE PROPERTY OF
 VIKING PUMP, INC. AND IS PROPRIETARY
 IN GENERAL AND DETAIL. IT SHALL NOT BE
 COPIED OR ITS CONTENTS REVEALED TO
 OUTSIDE PARTIES WITHOUT THE WRITTEN
 CONSENT OF VIKING PUMP, INC.

3D

DWG. NO.
 LV-4128

SHEET 1 OF 1

REV. B.0