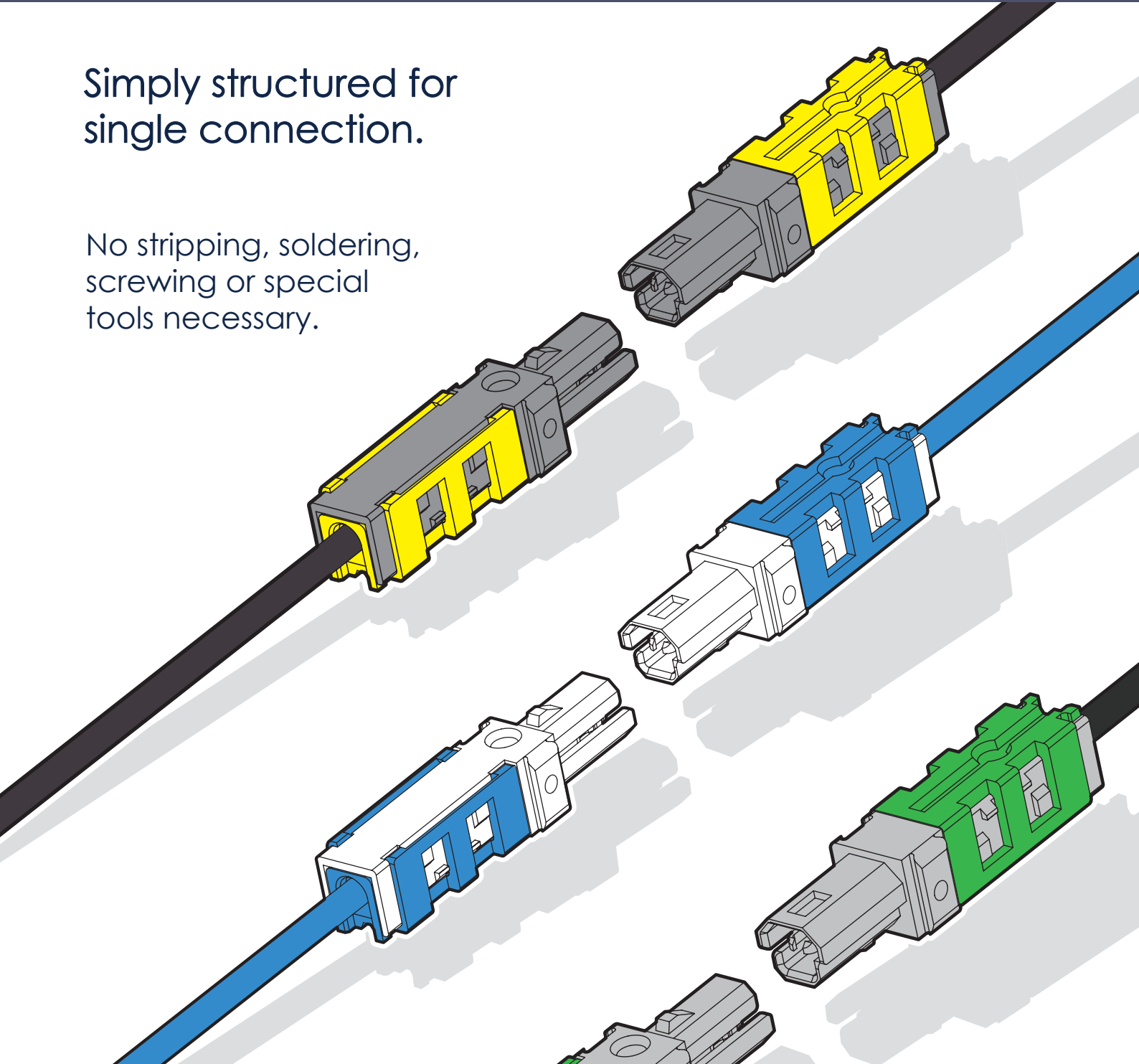


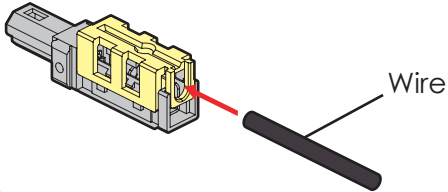
Insulated IDC connector

Simply structured for
single connection.

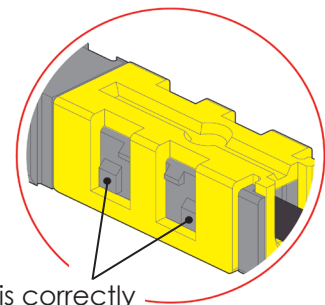
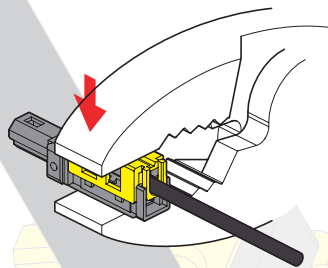
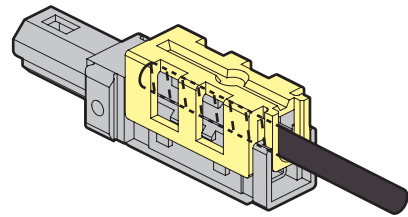
No stripping, soldering,
screwing or special
tools necessary.



1 Insert the wire until it reaches the end and use a plier at its open jaw condition.

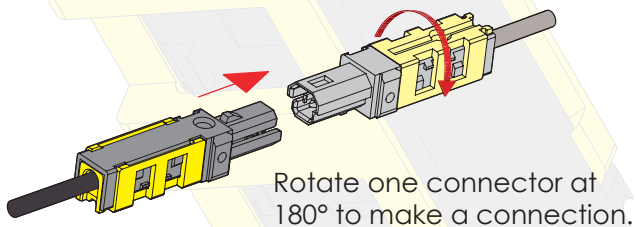


No stripping necessary. Insert the wire until it reaches the end.

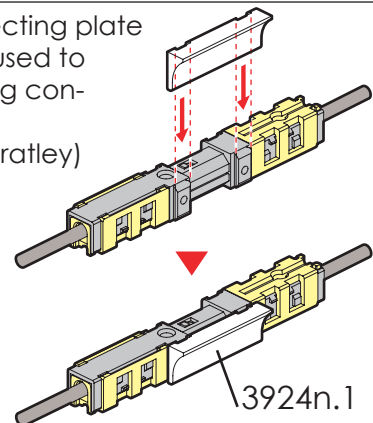


Confirm that it is correctly locked.

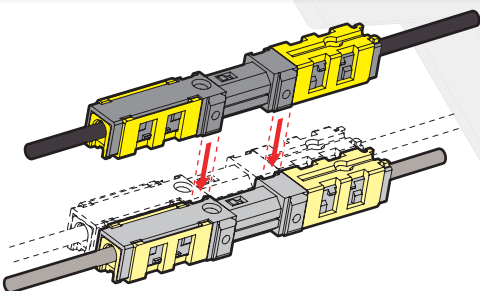
2 Connectors of the same shape can be connected.



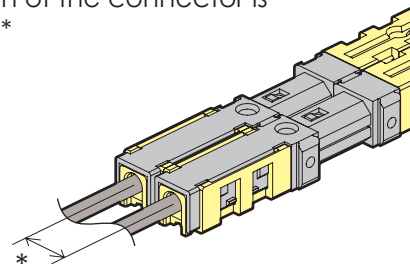
The connecting plate (3924n.1) used to lock mating connection. (Sold separately)



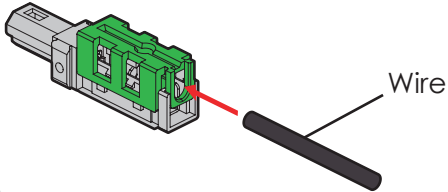
3 For multi pole connection link the connectors together by sliding them along the easy guide rail.



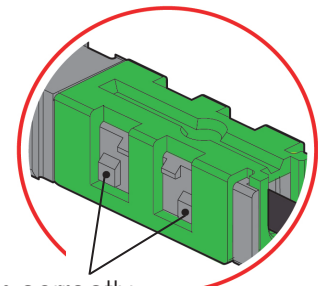
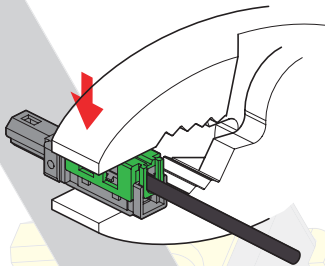
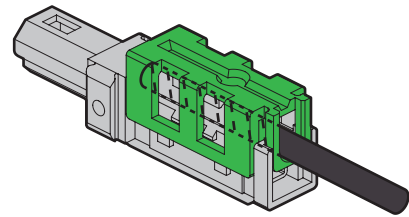
The pitch of the connector is 5.6mm. *



1 Insert the wire until it reaches the end and use a plier at its open jaw condition.

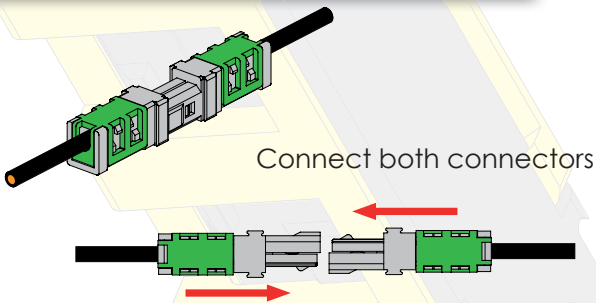


No stripping necessary. Insert the wire until it reaches the end.

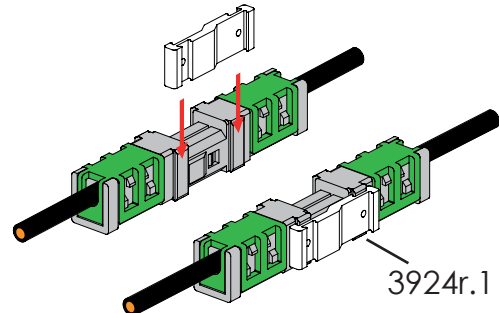


Confirm that it is correctly locked.

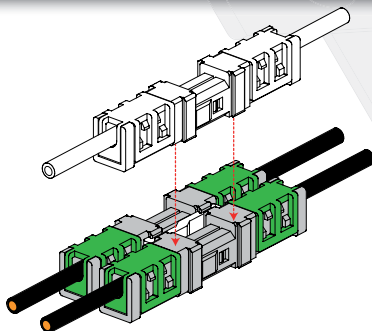
2 Connectors of the same shape can be connected.



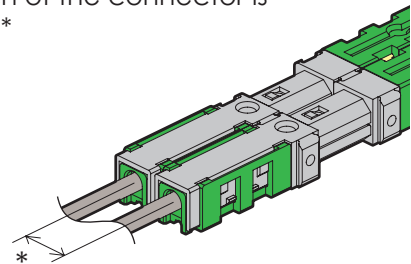
The connecting plate (3924r.1) used to lock mating connection. (Sold separately)



3 For multi pole connection link the connectors together by sliding them along the easy guide rail.

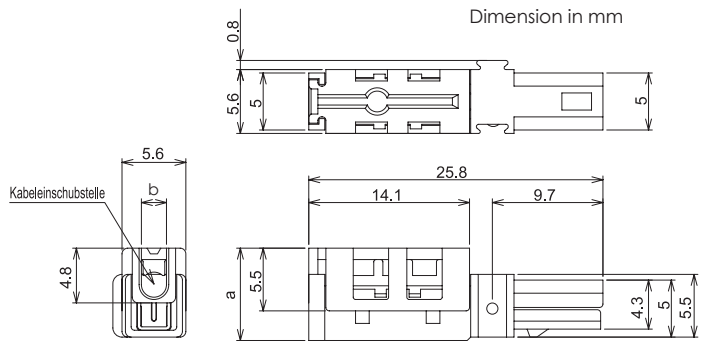


The pitch of the connector is 5.6mm. *



Technical specifications

RoHS-compliant



Dimension a: bevor IDC (8.1mm), after IDC (5.8mm)
 Dimension b: 3924p = 1.7mm / 3924n = 2.2mm / 3924r = 2.8mm



Rating	Voltage	Current	Temperature range	Assemble temperature
3924p	100V (AC/DC)	1A (0.08mm ² / AWG28-AWG26) 2A (0.25mm ² / AWG24)	-20°C to +75°C	0°C to +40°C
3924n	100V (AC/DC)	2A (0.25mm ² / AWG24) 3A (0.75mm ² / AWG20)	-20°C to +75°C	0°C to +40°C
3924r	300V (AC/DC)	6A (0.75mm ² / AWG20) 8A (1.00mm ² / AWG18)	-20°C to +120°C	0°C to +40°C

Material	Housing	Cover	Contact	Connecting plate
3924p	Polycarbonate (white)	Polycarbonate (blue and translucent)	Pre-tin plated bronze	Polycarbonate (white)
3924n	Polycarbonate (black)	Polycarbonate (yellow and translucent)	Pre-tin plated bronze	Polycarbonate (white)
3924r	Polycarbonate (black)	Polycarbonate (green and translucent)	Pre-tin plated bronze	Polycarbonate (white)

Wire / Quantity	Wire size	Max. wire outside diameter	Package quantity	Connecting plate
3924p	0.08mm ² - 0.2mm ²	1.6mm	100 pcs.	50 pcs. (3924n.1)
3924n	0.2mm ² - 0.5mm ²	2.1mm	100 pcs.	50 pcs. (3924n.1)
3924r	0.5mm ² - 0.75mm ²	2.8mm	100 pcs.	50 pcs. (3924r.1)

For safety use, please read following points prior to usage.

- Check the product specification.
- For copper wire only.
- Do not use other wires than applicable wires per standard.
- Use within the rated voltage, current, temperature range and assemble temperature.
- Connection of wire and connector shall be made when power is turned off.
- Indoor use only.
- Avoid using under conditions such as high temperature, low temperature, high humidity, much dust, places with vibration and strong impact, water, oils, chemicals and corrosive gas.
- Fix wires without causing tension.
- IDC contact is not reusable
- Straight connection in and out.

