

◀ PA1008 I Series ▶

8 Watt

Universal Input, Wall-mount Adapters With Interchangeable AC plug



FEATURES

- ✔ **MULTIPLE AC PLUGS**
- ✔ **UNIVERSAL INPUT**
- ✔ **CEC COMPLIANT**
- ✔ **OVERVOLTAGE PROTECTION**
- ✔ **OVERCURRENT PROTECTION**
- ✔ **SHORT CIRCUIT PROTECTION**
- ✔ **RoHS 2 COMPLIANT**

SAFETIES/APPROVALS

UL, CUL, CB, CE, TUV-GS, PSE,
BSMI, CEC, FCC, C-Tick, VCCI

ELECTRICAL SPECIFICATION

All specifications are typical at nominal input, full load

INPUT SPECIFICATIONS

Input Voltage.....90 ~ 264VAC
Input Frequency.....47 ~ 63Hz
Input Current.....0.3A Max.
Inrush Current..... 40A Max.

OUTPUT SPECIFICATIONS

Output VoltageSee Chart
Minimum Load.....None
Efficiency.....70 ~ 82%
Over-Voltage Protection..... Automatic Recovery
Over-Current Protection.....Automatic Recovery
Short Circuit Protection.....Automatic Recovery
Ripple and Noise.....1% max.
Line Regulation.....1% max.
Load Regulation.....5% max.

GENERAL SPECIFICATIONS

Rise Time.....10mS
Isolation Resistance.....50M

ENVIRONMENTAL SPECIFICATIONS

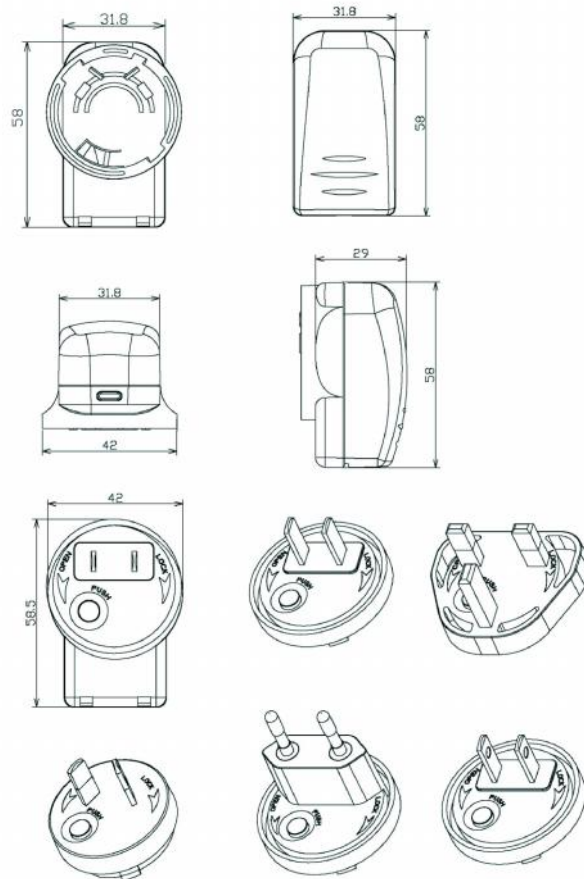
Operating Temperature0°C ~ +40°C
Cooling.....Convection
Humidity.....up to 95%Rh
Storage Temperature.....-20°C ~ +70°C

PHYSICAL SPECIFICATIONS

Case Material..... Polycarbonate & Acrylonitrile
Butadiene Styrene (PC & ABS)
Physical Size.....58mm x 42mm x 33mm

Part Number	Output Voltage	Output Current (Max)	Output Power (Max)
PA1008-030IB	3VDC	1.50A	7.5W
PA1008-050IB	5VDC	1.50A	8.0W
PA1008-090IB	9VDC	1.00A	9.3W
PA1008-120IB	12VDC	0.77A	9.3W
PA1008-150IB	15VDC	0.62A	9.3W
PA1008-190IB	19VDC	0.49A	9.3W
PA1008-240IB	24VDC	0.39A	9.3W
PA1008-300IB	30VDC	0.31A	9.3W

*Other voltages available upon request



Note:

- Measurements in millimeter (mm) unless otherwise specified

NOTE:

All specifications typical and nominal / full load and 25°C unless otherwise noted.
 Avoid sustained operation in overload or dead short conditions.
 Specifications subject to changes without notice.