



KTPS200 Series

200 Watt Universal Input, Desktop Adapter

INPUT SPECIFICATIONS

All specifications are typical at nominal input, full load.

INPUT SPECIFICATIONS

Input Voltage	AC 100 – 240VAC
Input Frequency	50 – 60Hz
Input Current	2.8A Max
Protection	Internal Primary Current Fuse Inrush Limiting

OUTPUT SPECIFICATIONS

Output Voltage	See Chart
Efficiency	CEC Level V, ErP Stage 2
Protection	Short Circuit Protection Over Current Protection Over Voltage Protection Over Temperature Protection
Ripple	3 – 5 % Vp-p (max)
Hold-Up Time	10 mS (min)
Transient Response	0.5mS for 50% Load Change(typ)
Load Regulation	± 5% (typ)
Leakage Current	3.5mA @ 3 pin

GENERAL SPECIFICATIONS

MTBF(Calculated)	50,000 Calculated hours at 25°C by MIL-HDBK-217F
Dielectric Withstanding Voltage	3,000 VAC Primary – Secondary
EMI Conduction & Radiation	Compliance to EN55022 Class B
Harmonic Current	Compliance to EN61000-3-2,3
EMS Immunity	Compliance to EN61000-4- 2,3,4,5,6,8,11
Safety Approvals	UL/cUL/CE/CB/GS/PSE/FCC



FEATURES

- UNIVERSAL INPUT (AC100-240V)
- ON/OFF SWITCH
- OVER VOLTAGE PROTECTION
- OVER CURRENT PROTECTION
- OVER TEMPERATURE PROTECTION
- ROHS COMPLIANT / CEC LEVEL V

ENVIRONMENTAL SPECIFICATIONS

Operating Temperature	0°C~+40°C
Storage Temperature	-20°C ~ +80°C
Cooling.	Convection
Operating Humidity	20 – 80% Rh
Storage Humidity	10 – 90% Rh

MECHANICAL SPECIFICATIONS

Case Dimension	L183 x W81 x H42(mm) L203 x W81 x H42(mm) with Switch
Input Configuration	IEC320-C14 (Optional C6)
DC Cord	18AWG (Optional 16 AWG)
Output Connector	4pin mini DIN

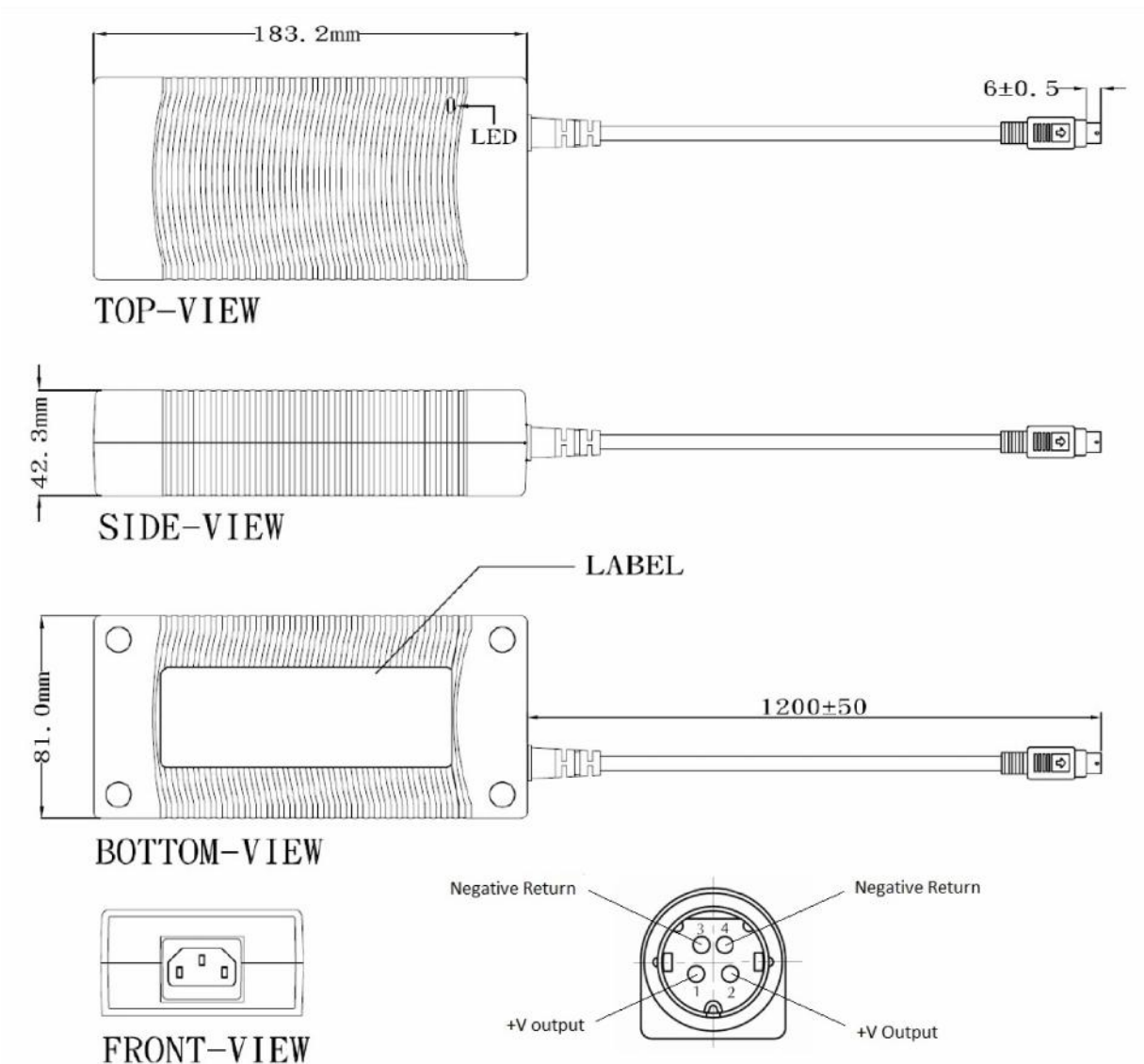


KTPS200 Series

Model Number	Output Voltage	Output Current	Max Output Power
KTPS200-12160 / S*	12.0V	16.0A	192W
KTPS200-18110 / S*	18.0V	11.0A	200W
KTPS200-19105 / S*	19.0V	10.5A	200W
KTPS200-20100 / S*	20.0V	10.0A	200W
KTPS200-24083 / S*	24.0V	8.3A	200W
KTPS200-48042	48.0V	4.2A	200W

Note: "/S" Denotes an optional ON/OFF switch.

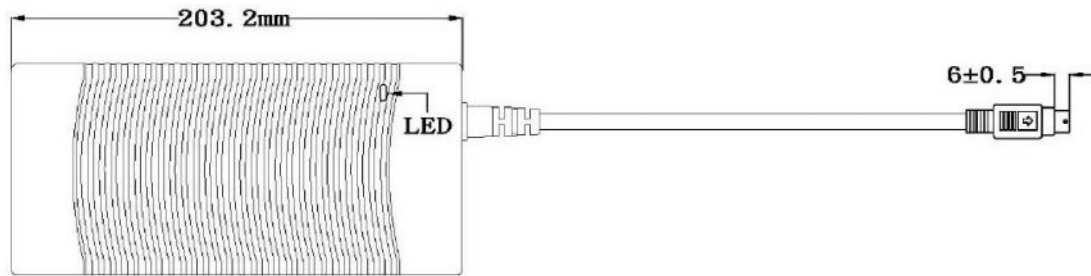
Mechanical Drawing:



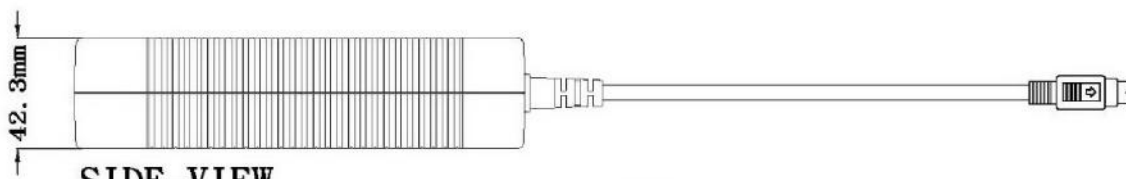


KTPS200 Series

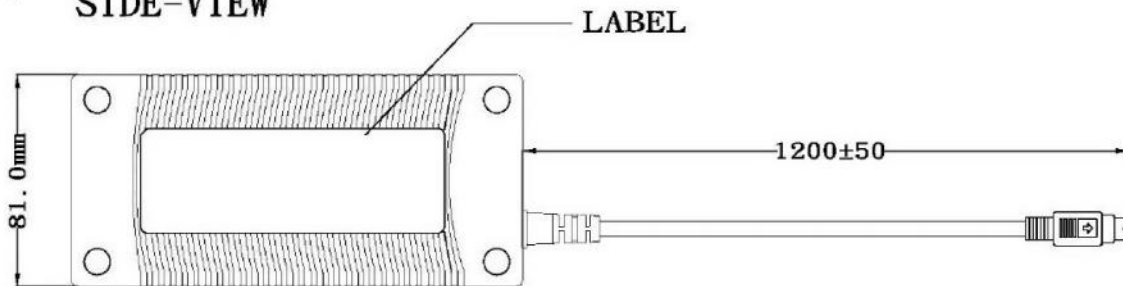
With Optional Switch:



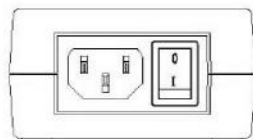
TOP-VIEW



SIDE-VIEW



BOTTOM-VIEW



FRONT-VIEW

