



Size: 2.32in x 1.61in x 1.04in (59mm x 40.9mm x 26.5mm)

FEATURES

- Universal Input 90~240VAC, 47/63Hz
- Energy Efficiency Level VI
- 0-12 Watts of Output Power
- RoHS Compliant
- Short Circuit, Input, and Over Current Protection
- UL, FCC, CE, CB, GS, RCM (SAA, C-Tick) Safety Approvals
- Useful in Multiple Applications

DESCRIPTION

The DTICP12 series of AC DC desktop power supplies provides up to 12 watts of output power in a 2.32" x 1.61" x 1.04" package. This series offers use in a variety of applications, has a wide input range of 90-264VAC, and single output models ranging from 5V-24V. All models are protected against short circuit, input, and over current conditions and are energy Efficiency Level VI and RoHS compliant. Please call factory for order details.

MODEL SELECTION TABLE

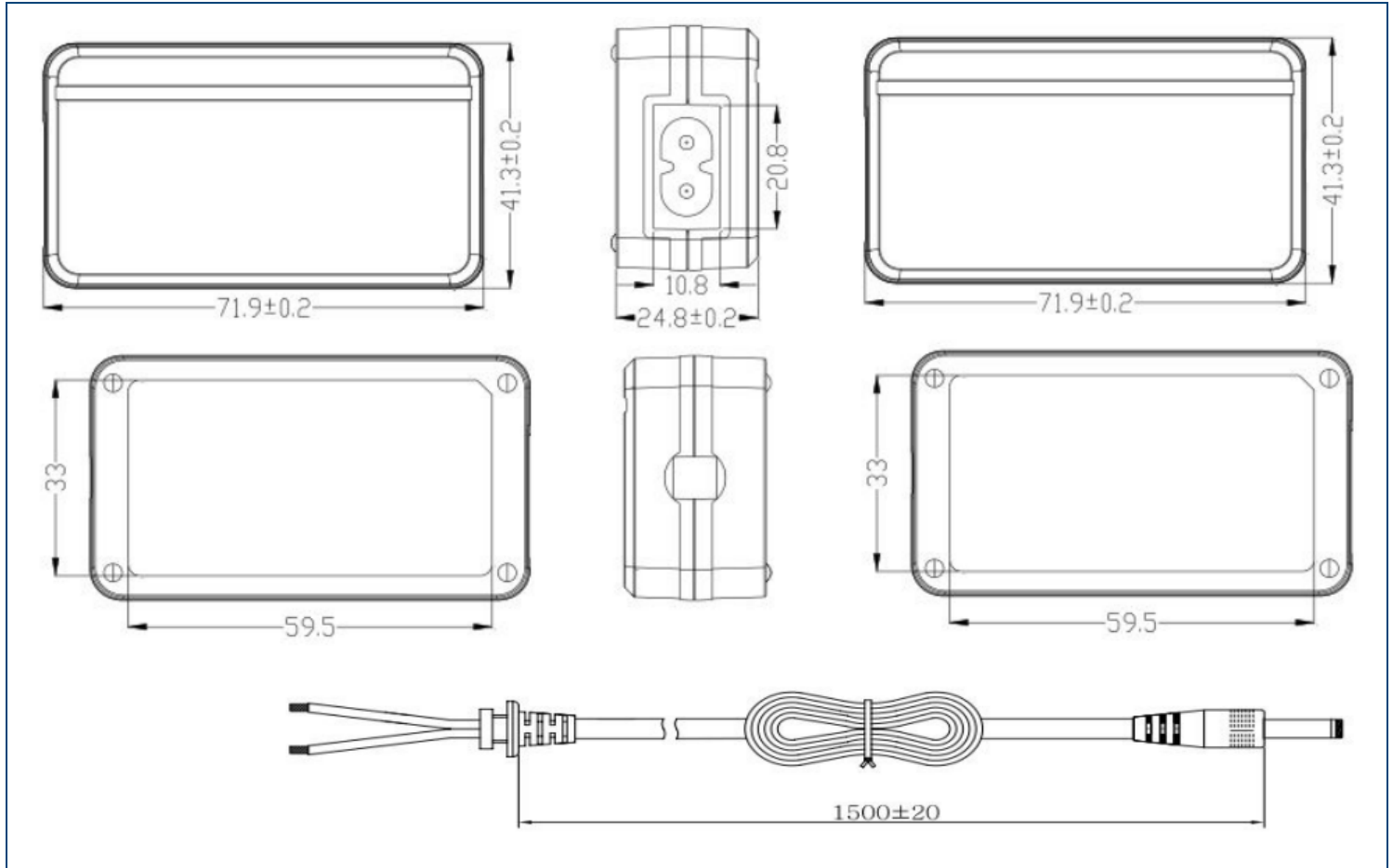
Model Number ⁽¹⁾	Input Voltage Range	Output Voltage	Output Current	Ripple & Noise	Output Power	Efficiency Level
			Max Load			
DTICP12-050-2400	90~264VAC	5V	2400mA	50mV	12W	VI
DTICP12-075-1600		7.5V	1600mA	60mV	12W	VI
DTICP12-090-1200		9V	1200mA	60mV	10.8W	VI
DTICP12-120-1000		12V	1000mA	70mV	12W	VI
DTICP12-190-0600		19V	600mA	70mV	11.4W	VI
DTICP12-240-0500		24V	500mA	80mV	12W	VI

SPECIFICATIONS

All specifications are based on 25°C, Nominal Input Voltage, and Maximum Output Current unless otherwise noted.
We reserve the right to change specifications based on technological advances.

SPECIFICATION	TEST CONDITIONS	Min	Typ	Max	Unit
INPUT SPECIFICATIONS					
Input Voltage Range		90		264	VAC
Input Frequency		47		63	Hz
Input Current				1.2	A
Inrush Current				40	A
OUTPUT SPECIFICATIONS					
Output Voltage		See Table			
Line Regulation				1	%
Output Regulation		-5		+5	%
Output Power		See Table			
Output Current		See Table			
Ripple & Noise		See Table			
Turn On Time	Nominal	20		30	mS
Temperature Coefficient			0.05		%/°C
PROTECTION					
Short Circuit Protection		3.6A Inner Current Fuse			
Over Current Protection		Automatic Recovery			
ENVIRONMENTAL SPECIFICATIONS					
Operating Temperature		10		40	°C
Storage Temperature		-20		80	°C
Humidity	Non-Condensing	5		95	%RH
Cooling		Convection			
Humidity	Non-Condensing	5		95	%
GENERAL SPECIFICATIONS					
Efficiency		VI			
Insulation Resistance	Primary to Secondary	50			MΩ
Leakage Current				0.25	mA
Standby Power				0.1	W
PHYSICAL SPECIFICATIONS					
Weight		3.53oz (100g)			
Dimensions (L x W x H)		2.32in x 1.61in x 1.04in (59mm x 48.54mm x 25.5mm)			
SAFETY CHARACTERISTICS					
Safety Approvals		UL, FCC, CE, CB, GS, RCM (SAA, C-Tick)			

MECHANICAL DRAWINGS



COMPANY INFORMATION

Wall Industries, Inc. has created custom and modified units for over 50 years. Our in-house research and development engineers will provide a solution that exceeds your performance requirements on-time and on budget. Our ISO9001-2008 certification is just one example of our commitment to producing a high quality, well-documented product for our customers.

Our past projects demonstrate our commitment to you, our customer. Wall Industries, Inc. has a reputation for working closely with its customers to ensure each solution meets or exceeds form, fit and function requirements. We will continue to provide ongoing support for your project above and beyond the design and production phases. Give us a call today to discuss your future projects.

Contact **Wall Industries** for further information:

Phone: ☎ (603)778-2300
Toll Free: ☎ (888)597-9255
Fax: ☎ (603)778-9797
E-mail: sales@wallindustries.com
Web: www.wallindustries.com
Address: 37 Industrial Drive
Exeter, NH 03833