

US Plug



Size: 2.91 x 1.54 x 1.91in (73.9 x 39 x 48.5mm)

European Plug



Size: 2.91 x 1.54 x 1.91in (73.9 x 38 x 48.5mm)

2-Pin Australian Plug



Size: 2.95 x 1.61 x 1.91in (75 x 41 x 48.5mm)

UK Plug



Size: 2.91 x 1.94 x 1.91in (74 x 49.4 x 48.5)

Korean Plug



Size: 2.91 x 1.54 x 1.91in (73.9 x 38 x 48.5mm)

Argentina Plug



Size: 2.95 x 1.61 x 1.91in (75 x 41 x 48.5mm)



OPTIONS

- Plug Type
- Output Connector

FEATURES

- Universal Input Voltage of 100~240VAC
- Meets EISA 2007/ DoE (VI) & EU ErP/CoC (5)
- Single Output
- Optional Output Connectors
- Short Circuit Protection, Over Voltage, and Over Current Protection
- Low Leakage Current of <0.25mA
- High Efficiency up to 83.40%
- UL60950-1; CSA C22.2, EN60905-1, IEC60950-1, and J60950-1 Safety Approvals

DESCRIPTION

The WMIGPSU12 series of AC/DC interchangeable wall mount power supplies offers up to 12 watts of output power. This series consists of single output models ranging from 5~48VDC and a universal input voltage of 100~240VAC. This series is protected against short circuit, over voltage, and over current protection and is also Level VI compliant. Six plug types are available: US, European, 2-Pin Australian, UK, Korean, and Argentina and optional output connectors are also available. WMIGPSU12 has UL60950-1; CSA C22.2, EN60950-1, IEC60950-1, and J60950-1 safety approvals. Please call factory for order details.

MODEL SELECTION TABLE

Model Number ⁽¹⁾	Input Voltage Range	Output Voltage	Measured at Output	Output Current		No Load Power Consumption	Output Power	Load Regulation	Efficiency ⁽²⁾	
				Min Load	Max Load				DoE (VI)	CoC (5)
WMIGPSU12x-1	100~240VAC	5~6VDC	5V	2.00A	2.40A	<0.075W	12W	±5%	79.94%	80.30%
WMIGPSU12x-1-1		6~8VDC	7.5V	1.50A	2.00A		12W	±5%	83.1%	83.26%
WMIGPSU12x-2		8~11VDC	9V	1.10A	1.50A		12.10W	±5%	83.1%	83.40%
WMIGPSU12x-3		11~13VDC	12V	0.93A	1.10A		12.10W	±3%	83.1%	83.40%
WMIGPSU12x-4		13~16VDC	15V	0.75A	0.93A		12.09W	±3%	83.1%	83.40%
WMIGPSU12x-5		16~21VDC	18V	0.58A	0.75A		12.18W	±3%	83.1%	83.40%
WMIGPSU12x-6		21~27VDC	24V	0.45A	0.58A		12.18W	±2%	83.1%	83.40%
WMIGPSU12x-7		27~33VDC	28V	0.37A	0.45A		12.15W	±2%	83.1%	83.40%
WMIGPSU12x-8	33~48VDC	48V	0.25A	0.37A	12.21W	±2%	83.1%	83.40%		

SPECIFICATIONS

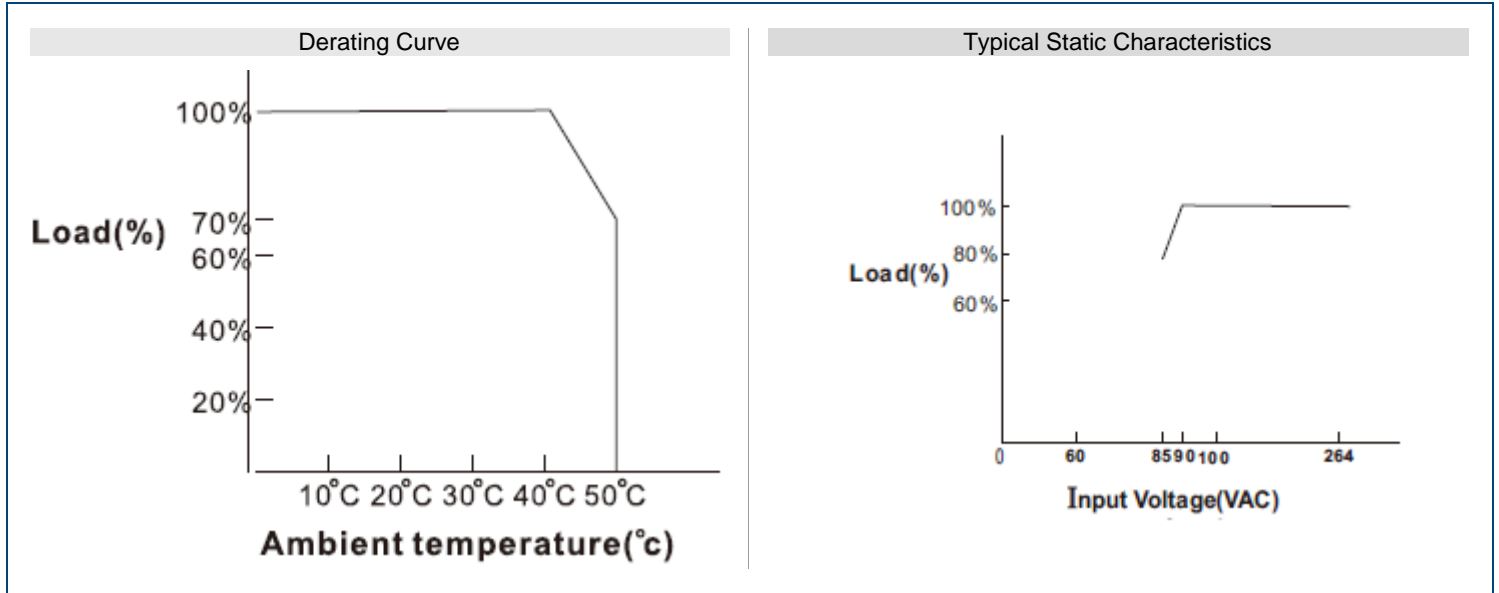
All specifications are based on 25°C, Nominal Input Voltage, and Maximum Output Current unless otherwise noted.
 We reserve the right to change specifications based on technological advances.

SPECIFICATION	TEST CONDITIONS	Min	Typ	Max	Unit
INPUT SPECIFICATIONS					
Input Voltage Range		100		240	VAC
Input Frequency		47		63	Hz
Input Current				0.5	A
Inrush Current	@115VAC at 25°C cold start		30		A
	@230VAC at 25°C cold start		60		
Leakage Current	@240VAC/50Hz			0.25	mA
OUTPUT SPECIFICATIONS					
Output Voltage		See Table			
Line Regulation		-1		+1	%
Load Regulation	5~11VDC Models	-5		+5	%
	11~21VDC Models	-3		+3	
	21~48VDC Models	-2		+2	
Output Power		See Table			
Output Current		See Table			
No Load Power Consumption			0.075		W
Ripple & Noise (20MHz bandwidth)				100	mV
Transient Response	Maximum excursion of 4% or better on all models. Recovering to 1% of final value within 500uS after a 25% step load change				
Set Up Time	@Full Load		3000		mS
Hold Up Time	@Full Load		10		mS
Rise Time	@Full Load		50		mS
Temperature Coefficient	All Outputs			±0.04	%/°C
PROTECTION					
Short Circuit Protection	Hiccup Mode	Automatic Recovery			
Over Current Protection	Hiccup Mode	Automatic Recovery			
	Rated Output Current	110			%
Over Voltage Protection	Protected by Zener Diode				
	Rated Output Voltage	110		140	%
ENVIRONMENTAL SPECIFICATIONS					
Operating Case Temperature		0		+40	°C
Storage Temperature		-40		+85	°C
Relative Humidity	Non-Condensing	5		95	%
Derating	Derated from 100% at +40°C linearly to 70% at 50°C				
MTBF	@Full Load at 25°C ambient	100,000			hours
GENERAL SPECIFICATIONS					
Efficiency		See Table			
Insulation Resistance	From Input to Output	50			MΩ
Withstand Voltage	From Input to Output	4242			VDC
PHYSICAL SPECIFICATIONS					
Weight		3.53~4.23oz (100~120g)			
Dimensions (L x W x H)	US, EU, and KR Types	2.91 x 1.54 x 1.91in (73.9 x 39 x 48.5mm)			
	SA and AR Types	2.95 x 1.61 x 1.91in (75 x 41 x 48.5mm)			
	UK Type	2.91 x 1.94 x 1.91in (74 x 49.4 x 48.5mm)			
SAFETY CHARACTERISTICS					
Safety Approvals	UL60950-1; CSA C22.2 EN60950-1 UEC60950-1 J60950-1				
EMC	CE: Emission: EN55022 EN61000-3-2,3/Immunity: IEC61000-4-2,3,4,5,6,11 FCC 47 CFR Part 15 Subpart B				

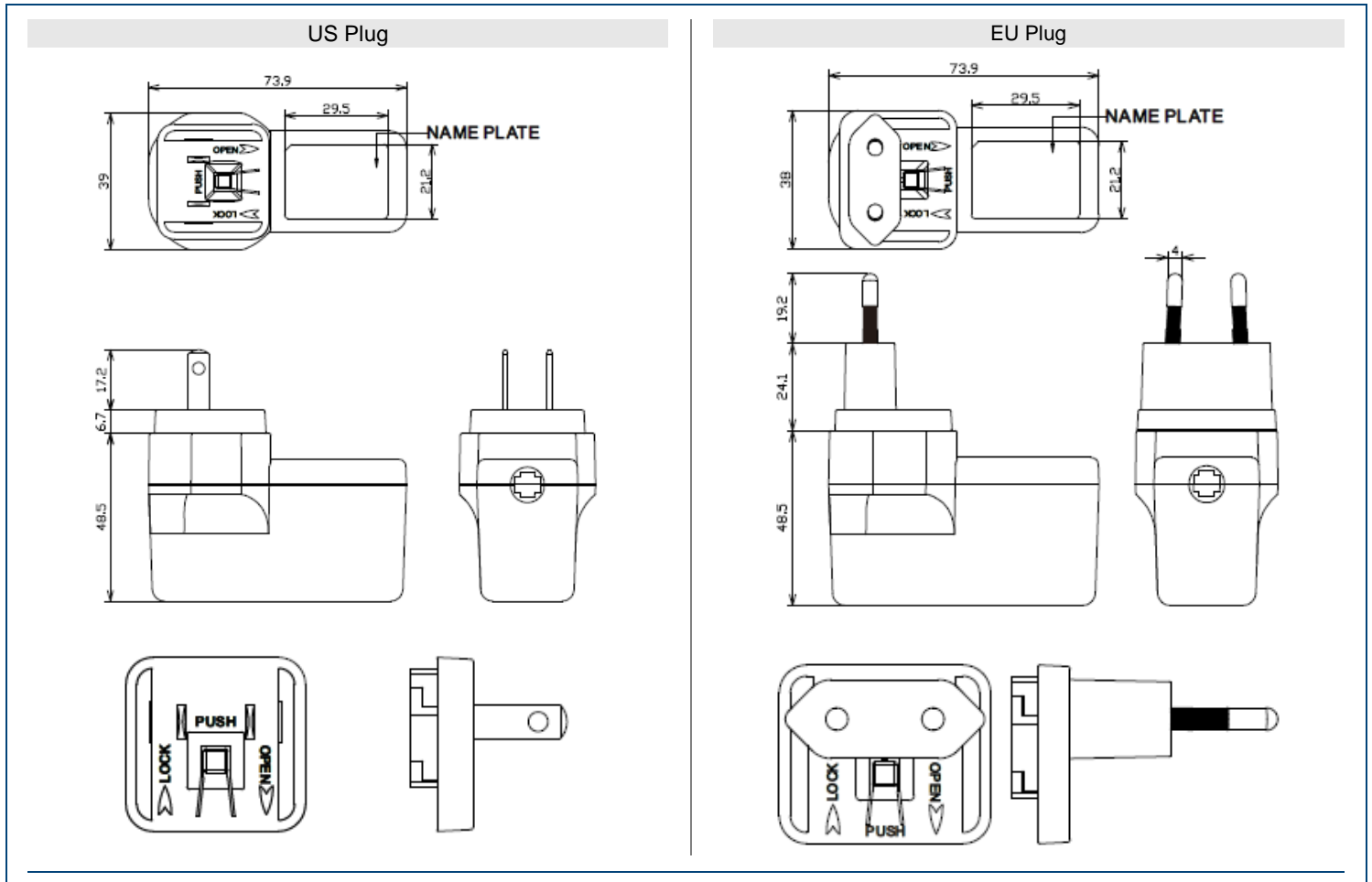
NOTES

- The "x" in the model name stands for the plug type. "x" can be "U" for US Plug, "E" for EU Plug, "SA" for 2-Pin Australian Plug, "BS" for UK Plug, "KR" for Korean Plug, or "AR" for Argentina Plug.
- Efficiency averages the efficiency at 25, 50, 75, and 100% of max. rated output current.
- Standard output cables:
 5~8V: UL2468, 18AWG, 1M
 8~11V: UL2468, 22AWG, 4FT
 11~48V: UL2468, 24AWG, 6FT

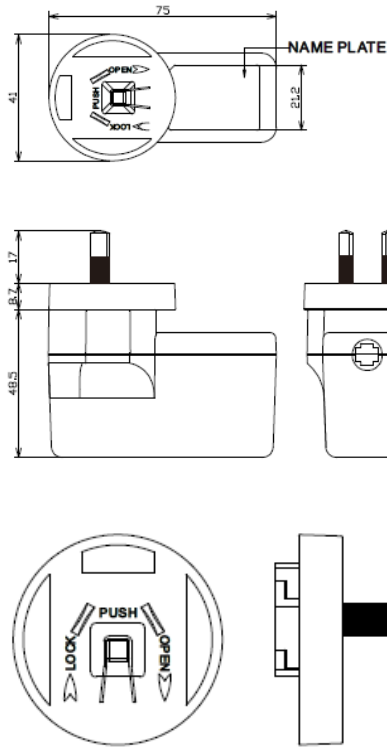
DERATING CURVES



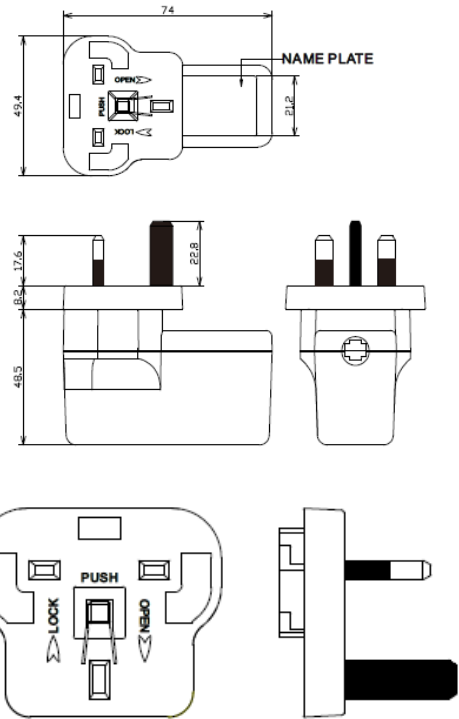
MECHANICAL DRAWINGS



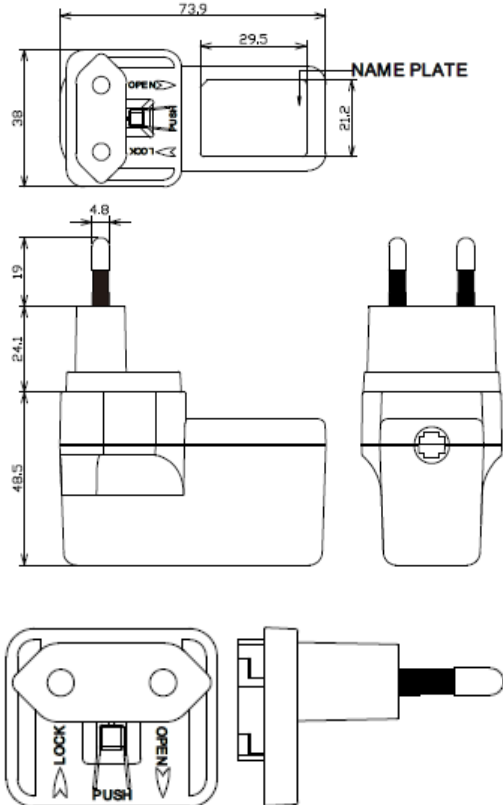
2-Pin AUS Plug



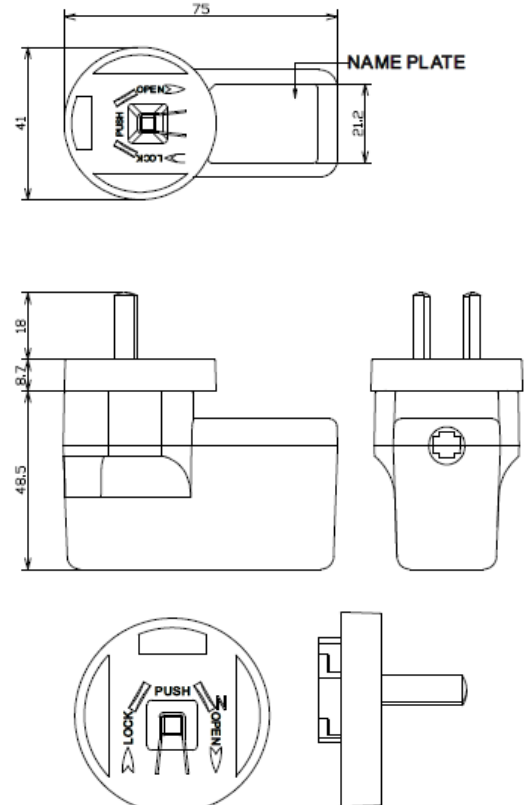
UK Plug



Korean Plug



Argentina Plug



COMPANY INFORMATION

Wall Industries, Inc. has created custom and modified units for over 50 years. Our in-house research and development engineers will provide a solution that exceeds your performance requirements on-time and on budget. Our ISO9001-2008 certification is just one example of our commitment to producing a high quality, well-documented product for our customers.

Our past projects demonstrate our commitment to you, our customer. Wall Industries, Inc. has a reputation for working closely with its customers to ensure each solution meets or exceeds form, fit and function requirements. We will continue to provide ongoing support for your project above and beyond the design and production phases. Give us a call today to discuss your future projects.

Contact **Wall Industries** for further information:

Phone: ☎ (603)778-2300
Toll Free: ☎ (888)597-9255
Fax: ☎ (603)778-9797
E-mail: sales@wallindustries.com
Web: www.wallindustries.com
Address: 37 Industrial Drive
Exeter, NH 03833