

Wall Industries, Inc.

LV12S24-150

Low Voltage DC-DC Converter
10-36 Vdc Input
24Vdc Output at 6.25A
Half-Brick Package



Features:

- **Up to 87.5% Efficient**
- **Cost Efficient Solution**
- **Delivering 6.25A at Room Temperature with No Added Heat Sink with 400 LFM**
- **Fixed Switching Frequency**
- **High Reliability**
- **Consult Factory for Optional Heat Sink**
- **Output Short Circuit Protection**
- **Output Over Current Protection**
- **Optional Encapsulation for added Ruggedness**
- **Remote ON/OFF**
- **Remote Sense Compensation to 10% Vout**
- **Fast Transient Response**
- **100% Burn In**

Applications:

- **For use in 12V and 24V battery applications.**
- **For use in Intermediate and Distributed Bus Architectures (IBA)**
- **Telecommunication equipment**
- **Network (LANs/WANs) Equipment**
- **Next generation low voltage, high current microprocessors and Ics**

Description:

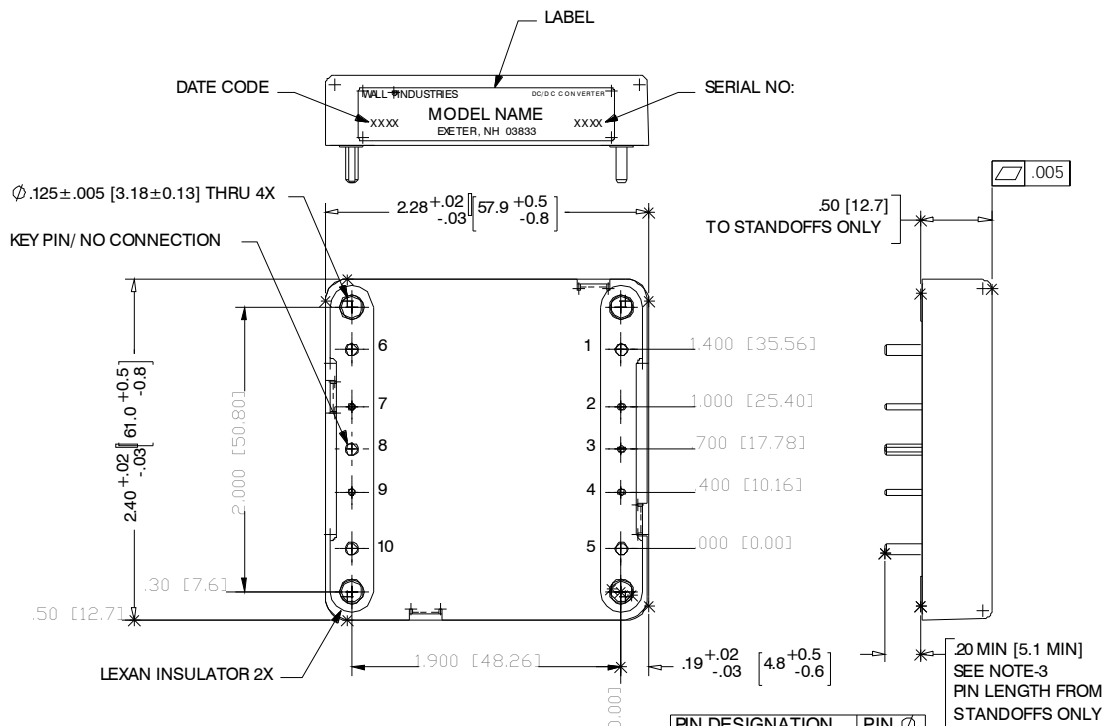
The LV12S24-150 is a high density, low input voltage, isolated converter with a wide input voltage range. Low input voltage converters are uncommon in the industry and the LV12S24-150 offers the flexibility of operation with both 12V and 24V busses. This state-of-the-art converter's features include fast transient response, short circuit protection, over current protection, and many other features that are required for today's demanding applications.

| Technical Specifications | | Model No. LV12S24-150 | | | |
|---|---|-----------------------|-----------|--------------|---------------------|
| <p>All specifications are based on 25 °C, Nominal Input Voltage and Maximum Output Current unless otherwise noted. We reserve the right to change specifications based on technological advances.</p> | | | | | |
| SPECIFICATION | Related condition | Min | Nom | Max | Unit |
| Switching Frequency | | - | 400 | - | kHz |
| INPUT (V_{in}) | | | | | |
| Operating Voltage Range | | 10 | 12 / 24 | 36 | Vdc |
| UVLO Turn On at | | 9.4 | 9.5 | 9.6 | Vdc |
| UVLO Turn Off at | | 9.3 | 9.4 | 9.5 | Vdc |
| Maximum Input Current | Low Line | - | 17.7 | - | A |
| No Load Input Current | No Load | - | 0.15 | - | A |
| Input Current under "Remote Off" | | - | 0.0064 | - | A |
| Reflected Ripple Current | | - | 225 | - | mA |
| Input Surge Voltage | 100 mS | | | 50 | Vdc |
| EFFICIENCY | | - | 84.5 | - | % |
| OUTPUT (V_o) | | | | | |
| Voltage Set Point | ±RS shorted to ±Vo | 23.76 -1% | 24.0 | 24.24 +1% | Vdc % |
| Voltage Adjustment | Max Output limited to 150W | 21.6 -10% | 24.0 | 26.4 +10% | Vdc |
| Load Regulation | ±RS shorted to ±Vo | - | 0.1 | 0.2 | % |
| Line Regulation | ±RS shorted to ±Vo | - | 0.1 | 0.2 | % |
| Temperature Drift | | - | 0.2 | - | % / °C |
| Remote Sense Compensation | Max Output limited to 150W | - | | 26.4 10% | Vdc % |
| Ripple | 1uF Ceramic & 10uF Tantalum | - | 360 | - | mV _{pk-pk} |
| Spikes | 1uF Ceramic & 10uF Tantalum | - | - | - | mV _{pk-pk} |
| Current | | 0 | - | 6.25 | A |
| Current Limit | Power Limited-Dependent upon SENSE compensation and TRIM adjustment | - | 8.2 | - | A |
| Over Voltage Limit | Output Clamped | - | - | - | Vdc |
| DYNAMIC RESPONSE | | | | | |
| | 1uF Ceramic & 10uF Tantalum | | | | |
| Load step / ΔV | 50% to 100% I _o , di/dt=1A/uS | - | 200 | - | mV |
| Recovery Time | Recovery to within 1% Nominal Vo | - | - | - | ms |
| Turn On Delay | From Vin(min) to Vout (nom) | - | - | - | ms |
| Turn On Overshoot | Full Load Resistive | - | 0 | - | % |
| Hold Up Time | From Vin (min) to V _{ULVO_Turn_Off} | 0 | - | - | mS |
| REMOTE ON/OFF | | | | | |
| Active High | | | | | |
| Remote ON – Active High | Min High (ON/OFF pin) | 2.2 | - | - | Vdc |
| Remote ON – Active Low | Max Low (ON/OFF pin) | N/A | - | - | Vdc |
| Remote OFF – Active High | Max Low (ON/OFF pin) | - | - | 1.2 | Vdc |
| Remote OFF – Active Low | Min High (ON/OFF pin) | N/A | - | - | Vdc |
| Remote ON/OFF pin Floating – Active High | Over Operating Voltage Range | 2.5 | - | 5.0 | Vdc |
| Remote ON/OFF pin Floating – Active Low | Over Operating Voltage Range | N/A | - | - | Vdc |
| I _{ON/OFF} Sink to pull low – Active Low or High | V _{ON/OFF} =0V, Vin=36V | - | - | 0.38 | mA |
| I _{ON/OFF} Source to drive high – Active High | V _{ON/OFF} =5V, Vin=36V | - | - | 0.03 | mA |
| I _{ON/OFF} Source to drive high – Active Low | V _{ON/OFF} =5V, Vin=36V | - | - | - | mA |
| Turn On Delay – Active High | ON/OFF (max Low) to Vout (min) | - | 9 | - | ms |
| Turn Off Delay – Active High | ON/OFF (0V) to Vout (min) | - | 160 | - | uS |
| ISOLATION | | | | | |
| Input-Output | 1 minute | - | 1500 | - | Vdc |
| Input-Case | 1 minute | - | 500 | - | Vdc |
| Output-Case | 1 minute | - | 500 | - | Vdc |
| THERMAL | | | | | |
| Ambient | Max. Ambient limited by OTP | -40 | 25 | OTP | °C |
| Over Temperature Protection (OTP) | Case Temperature Greater than | - | 95 | - | °C |
| Turn On (OTP) | Case Temperature Less than | - | 85 | - | °C |
| MTBF | Calculated Using Bellcore TR-332 Method 1 case 3 | | 2,563,116 | | hours |
| MECHANICAL | | | | | See Figure 1 |

Table 1: Pin Assignments

| Pin # | Pin Name | Function | Comments |
|-------|------------|-----------------------|--|
| 1 | -Vo | Negative Output | |
| 2 | -RS | Negative Remote Sense | If not used, leave open or short to -Vo |
| 3 | Trim | Output Voltage Trim | Refer to page 6 |
| 4 | +RS | Positive Remote Sense | If not used, leave open or short to +Vo |
| 5 | +Vo | Positive Output | |
| 6 | -Vin | Negative Input | |
| 7 | CHGND | Chassis Ground (Case) | If not used, leave open |
| 8 | Key Pin/NC | To Key Converter | Leave as a No Connect pin |
| 9 | ON/OFF | Remote On/Off | If not used, leave floating for Active High Unit If not used, short to -Vin on an Active Low Unit |
| 10 | +Vin | Positive Input | |

Figure 1: Mechanical Dimensions



NOTES:

- PIN TO PIN TOLERANCE ± .01 [±0.3], PIN DIAMETER TOLERANCE: ±.005 [±0.13].
- CASE MATERIAL: .040 [1.02] THICK, ALUMINUM ALLOY 3003-0, PER: QQA 250/2.
- UNLESS OTHERWISE SPECIFIED.

TO ORDER:

- UNIT COMES WITH EITHER 3M x 0.5 THREADED THRU INSERTS OR FOR Ø.125 THRU-HOLE ADD: "TH" SUFFIX TO MODEL PART NUMBER. EXAMPLE: LV12S15-100TH
- CONSULT FACTORY FOR OPTIONAL HEAT SINK.

| PIN DESIGNATION | PIN Ø |
|-----------------|-------|
| 1 -OUTPUT | Ø.081 |
| 2 -SENSE | Ø.040 |
| 3 TRIM | Ø.040 |
| 4 +SENSE | Ø.040 |
| 5 +OUTPUT | Ø.081 |
| 6 -Vin | Ø.081 |
| 7 CASE GRD | Ø.040 |
| 8 KEY PIN/NC | Ø.081 |
| 9 ON/OFF | Ø.040 |
| 10 +Vin | Ø.081 |

DESIGN CONSIDERATIONS

Under Voltage Lock Out (UVLO)

The converter output is disabled until the input voltage exceeds the UVLO turn-on limit. The converter will remain ON until the input voltage falls below the UVLO turn-off limit.

Over Current Protection

The converter is protected from short circuit and over current conditions. During these fault conditions, the converter output will ‘hiccup’. The converter output will recover once the short or over current fault is removed.

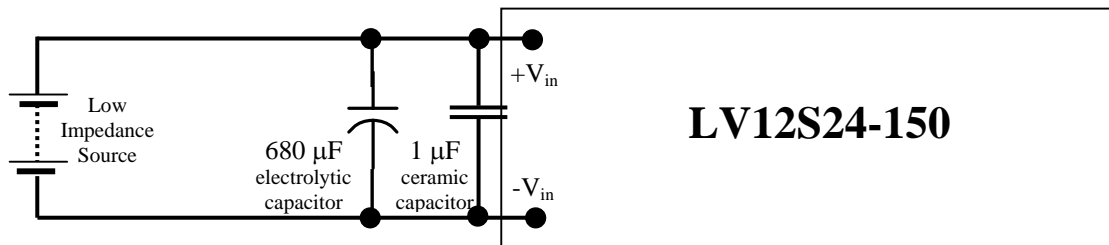
Over Temperature Protection (OTP)

The converter has internal thermal protection that will shut the converter OFF once the case temperature exceeds the OTP turn-off limit. The converter will resume operation when the case temperature has dropped below the OTP turn-on limit.

Input Filter

It is recommended to bypass the +Vin and -Vin pins of the converter with a minimum of 680uF (100V minimum) capacitor. No other bypassing is needed. However, to reduce the input ripple beyond what is seen in Photo 1, larger values of capacitance may be used. Additionally, an inductor may be placed between the source and the previously mentioned capacitor. No inductor should be placed between the capacitor and the input to the converter.

Figure 2: Input Filter Setup



Output Filter

No additional output capacitor is needed for the power supply to operate. However, to reduce the ripple and noise on the output, additional capacitance may be added. A low ESR Ceramic capacitor may be added across the +Vo and -Vo pins to reduce the ripple and spike noise. Additional capacitance in the form of a tantalum or aluminum electrolytic may also be placed across these pins in order to reduce ripple and improve the transient peak-to-peak voltage deviation.

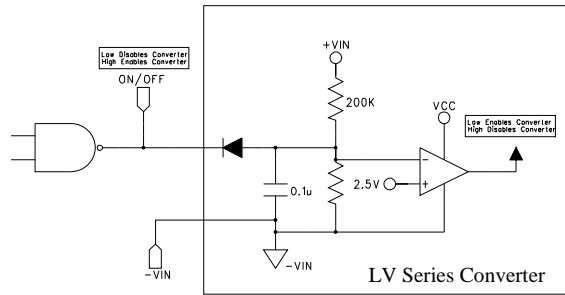
Remote Sense

To improve the regulation at the load, route the connections from the -RS and the +RS pins to the -Vo and +Vo connections at the load. This will force the converter to regulate the voltage at the load and not at the pins of the converter (refer to Graph 6). If it is not desired to use the Remote Sense feature, the -RS and +RS pins may be left open or they may be shorted to the -Vo and +Vo pins respectively. Shorting the RS pins to the Vo pins will reduce the voltage drops through the converter pins.

Remote ON/OFF

The converter has the ability to be remotely turned ON or OFF. The LV series is Active-High. Active-High means that a logic high at the ON/OFF pin will enable the supply (Figure 3). With Active-High, if the ON/OFF pin is left floating, the supply will be enabled.

Figure 3: Active-High



Output Voltage Trim: (24V, 26V, and 28V Models)

The output is adjustable +/-10% of rated output voltage. To trim the output voltage up, place the trim resistor between the Trim and -Rs pins (Figure 5). To trim the output voltage down, place the trim resistor between the Trim and +Rs pins (Figure 4).

The value of the trim resistor with respect to the desired output voltage (Vo) can be derived from the following formulas or looked up on the trim table (Table 2).

$$RTH = \frac{V_{ref}}{\frac{V_o - V_{ref}}{R_H} - \frac{V_{ref}}{R_L}} - R_{lim} \quad (\text{in Kohms})$$

$$RTL = \frac{V_o - V_{ref}}{\frac{V_{ref}}{R_L} - \frac{V_o - V_{ref}}{R_H}} - R_{lim} \quad (\text{in Kohms})$$

Figure 4: Trim Down

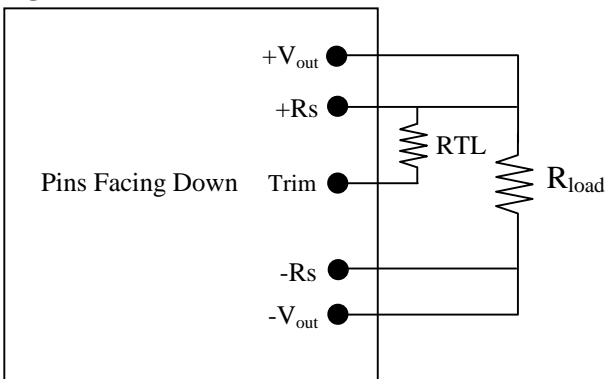


Figure 5: Trim Up

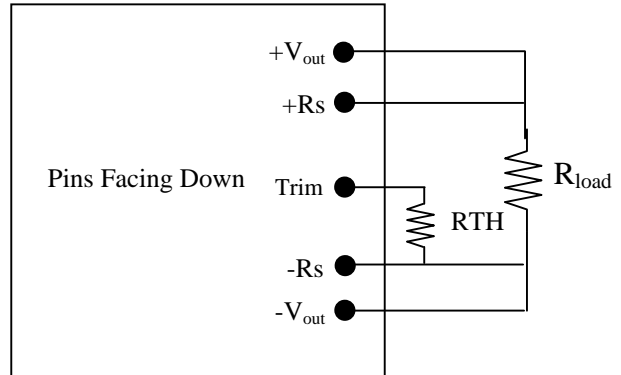


Table 2: Trim Equations for LV Series (24V, 26V, and 28V Models)

| Vonm | Vref | RH | RL | Rlim | RTH to -Rs |
|--------|-------|-------|------|------|------------|
| 24.000 | 2.495 | 22.00 | 2.55 | 8.25 | RTL to +Rs |

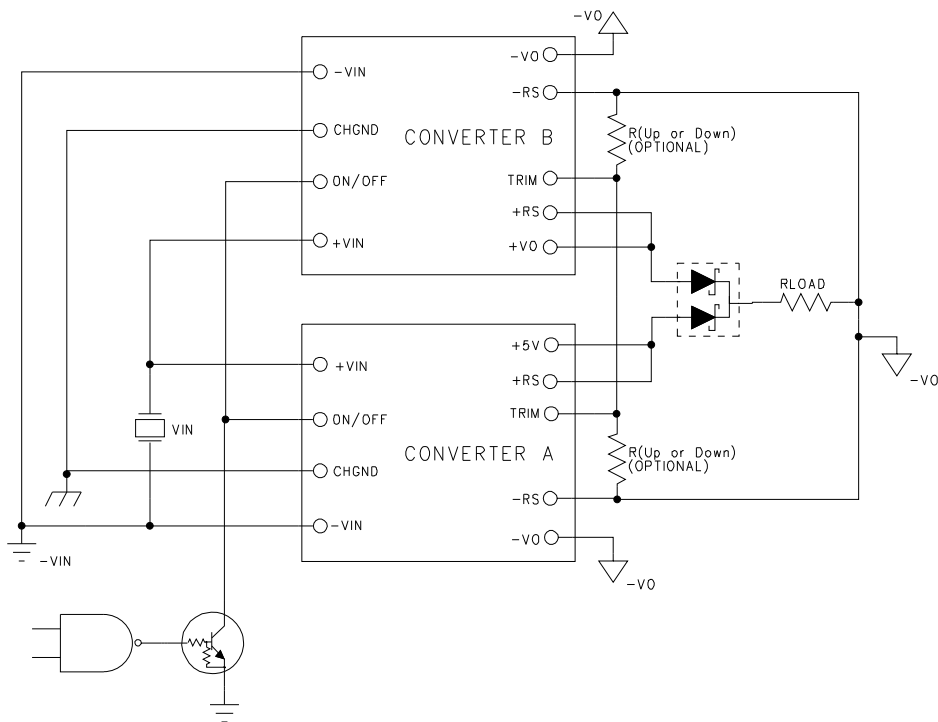
| Percent Trim | <u>Trim Low</u> | | <u>Trim High</u> | | All in Kohms |
|--------------|-----------------|---------|------------------|--------|--------------|
| | Vo | RTL | Vo | RTH | |
| 1% | 23.760 | 1787.71 | 24.240 | 241.81 | |
| 2% | 23.520 | 915.94 | 24.480 | 111.20 | |
| 3% | 23.280 | 609.27 | 24.720 | 70.22 | |
| 4% | 23.040 | 452.73 | 24.960 | 50.17 | |
| 5% | 22.800 | 357.76 | 25.200 | 38.29 | |
| 6% | 22.560 | 294.00 | 25.440 | 30.42 | |
| 7% | 22.320 | 248.23 | 25.680 | 24.83 | |
| 8% | 22.080 | 213.79 | 25.920 | 20.65 | |
| 9% | 21.840 | 186.93 | 26.160 | 17.41 | |
| 10% | 21.600 | 165.40 | 26.400 | 14.82 | |

Note that while decreasing the output voltage, the maximum output current still remains at 6.25A, and while increasing the output voltage, the output current is reduced to maintain a total output power at 150 W.

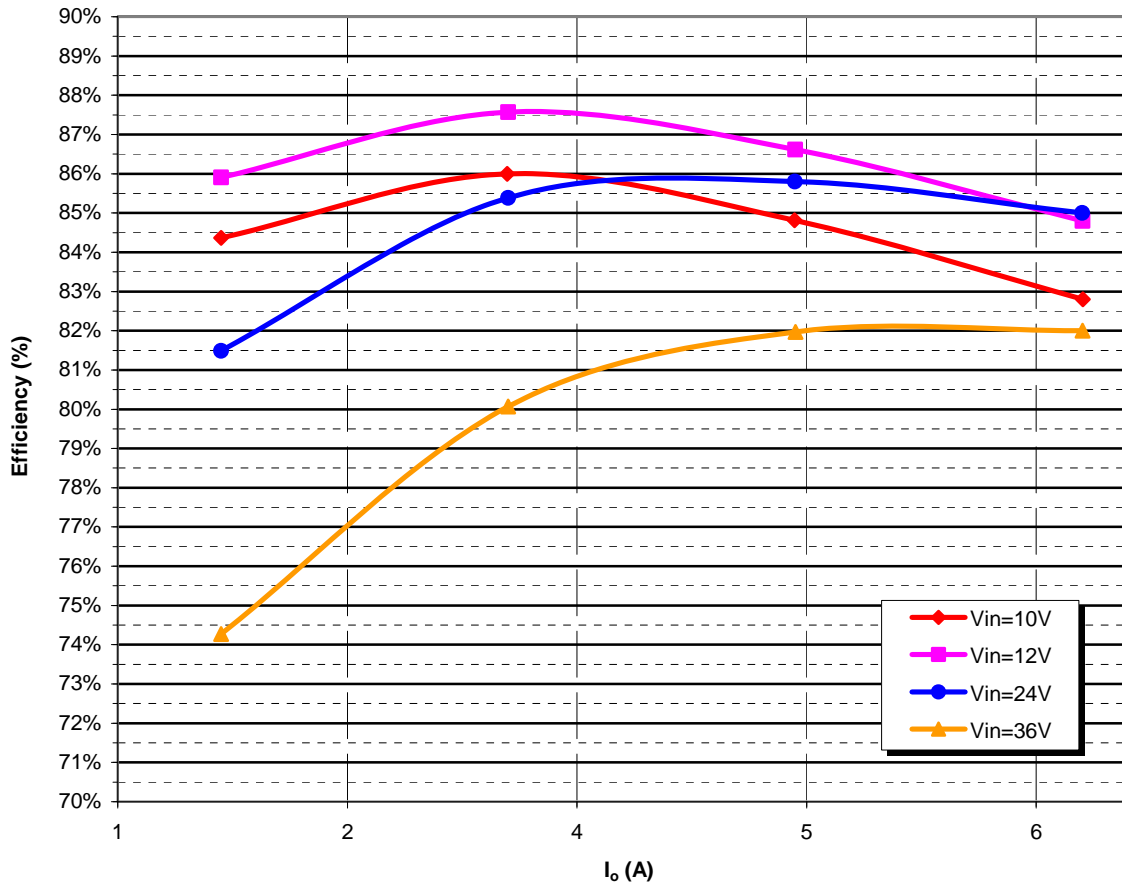
Paralleling Converters

The LV series converters may be paralleled both for redundancy and for higher output current. However, in order to do this, a high-current, low V_f , schottky diode must be placed at the +Vo pin of each supply as shown in Figure 6. To improve sharing, tie the two TRIM pins together. The converters may be trimmed by adding a resistor value from Table 2 from each TRIM pin to $\pm RS$ pin, or alternatively, a single resistor of half the value of Table 2 from the common TRIM pins to the common $\pm RS$ pins.

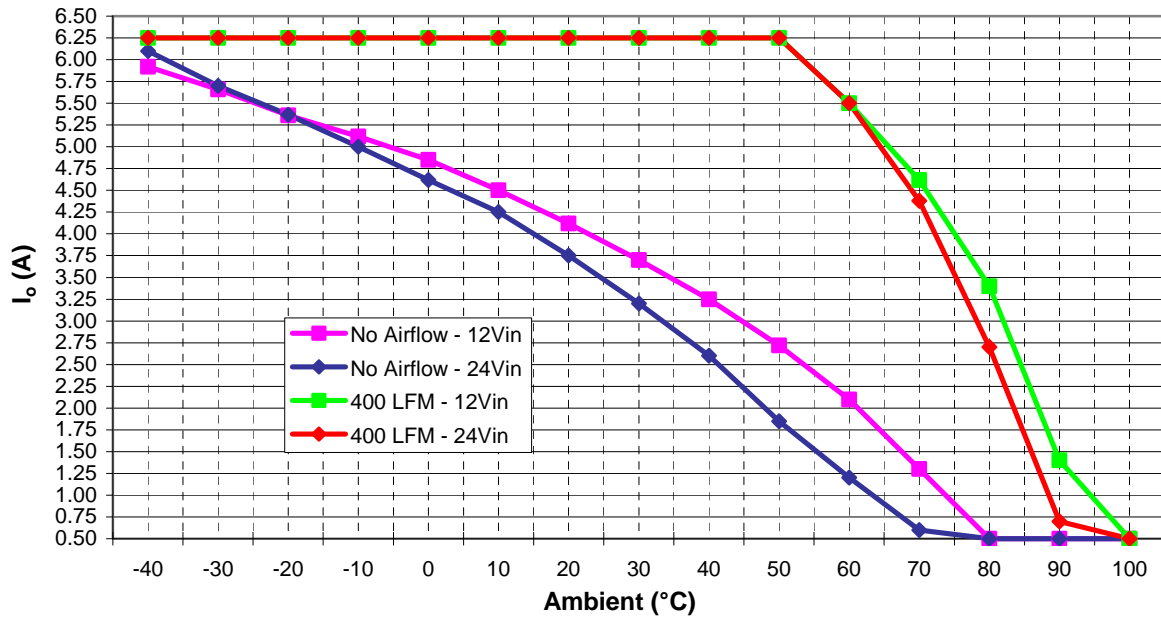
Figure 6: Paralleling Converters



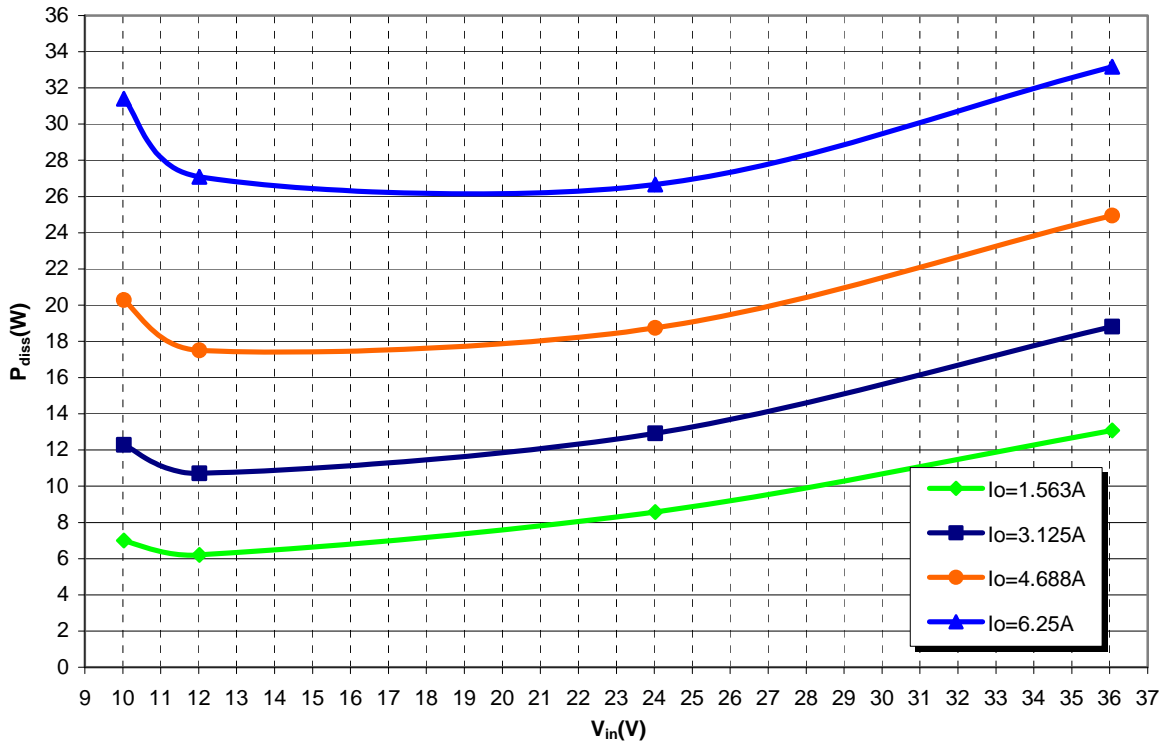
Graph 1: LV12S24-150 Efficiency vs. Output Current



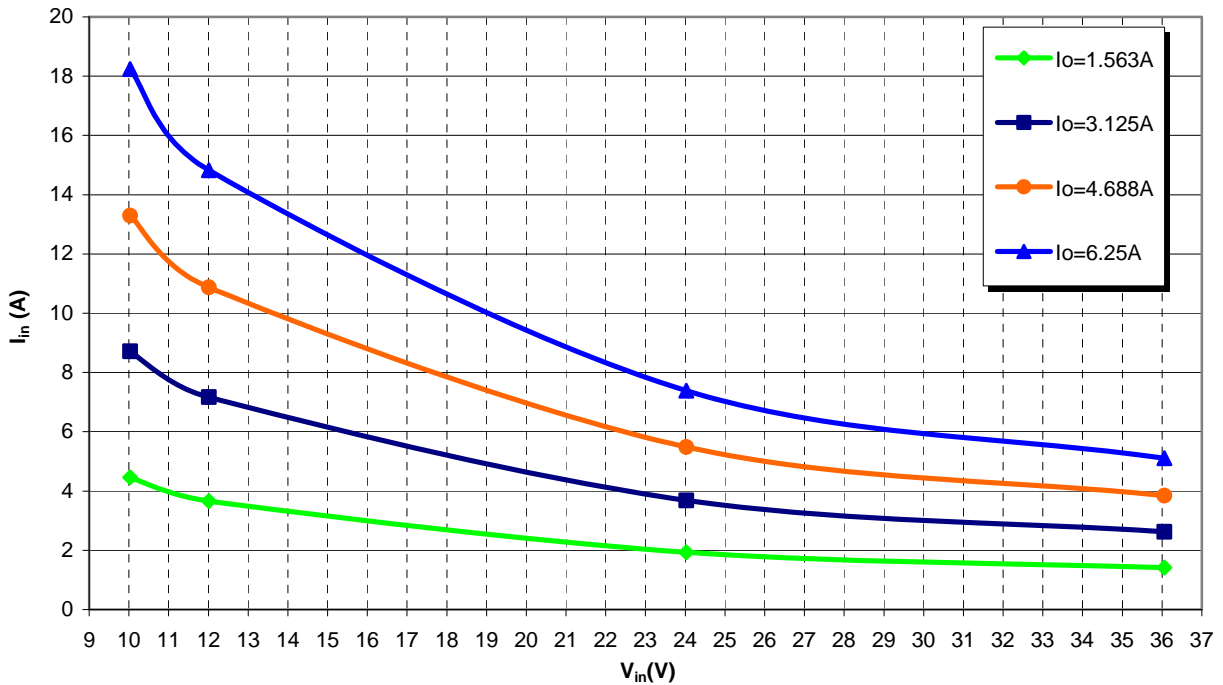
Graph 2: LV12S24-150 Max Ambient vs. Io (Vin=12V)



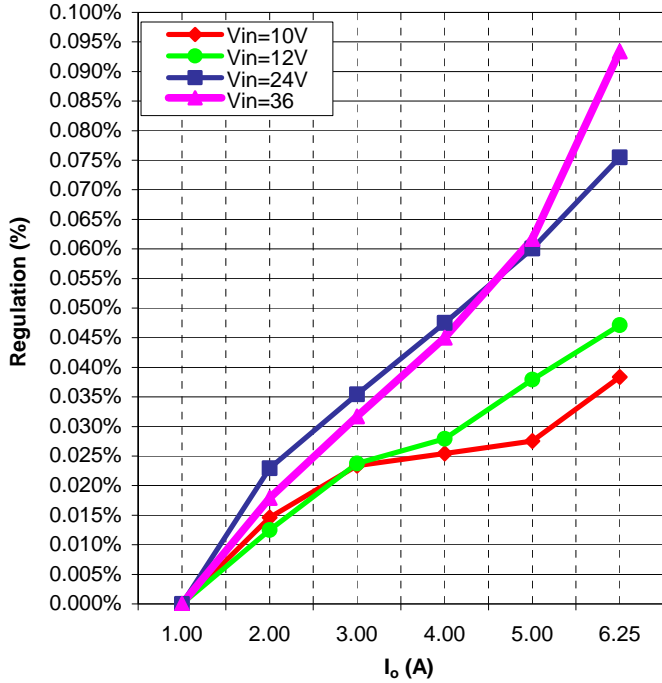
Graph 3: LV12S24-150 Power Dissipation vs. Input Voltage



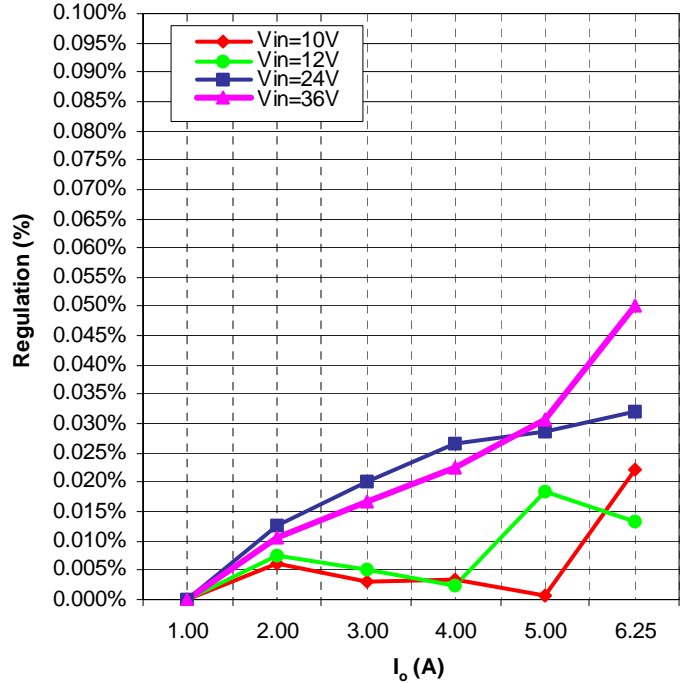
Graph 4: LV12S24-150 Input Current vs. Input Voltage



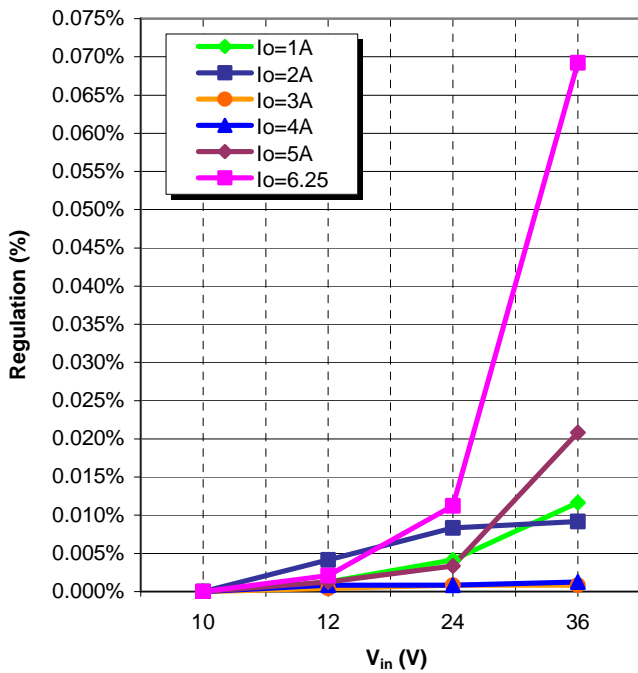
Graph 5: LV12S24-150 Load Regulation
(±RS Pins Open)



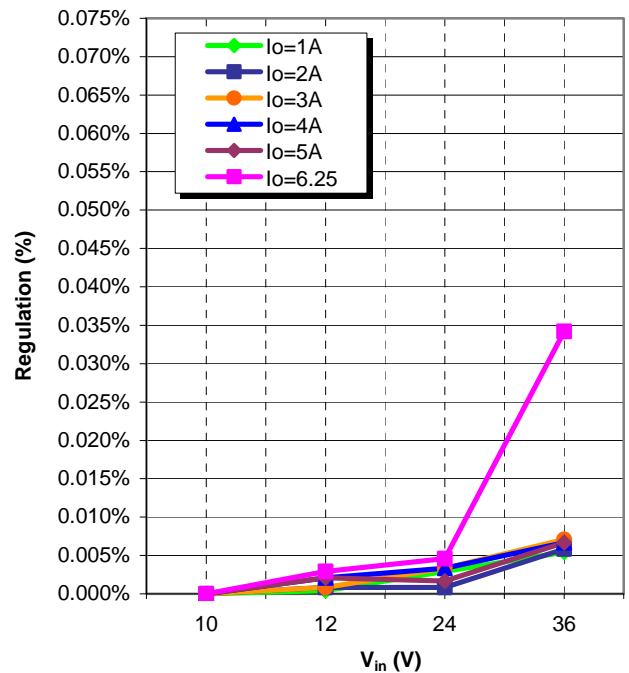
Graph 6: LV12S24-150 Load Regulation
(+RS to +Vo, -RS to -Vo)



Graph 7: LV12S26-150 Line Regulation
(±RS Pins Open)



Graph 8: LV12S24-150 Line Regulation
(+RS to +Vo, -RS to -Vo)



Note: Voltage measurements taken where the output pins are soldered into test board.

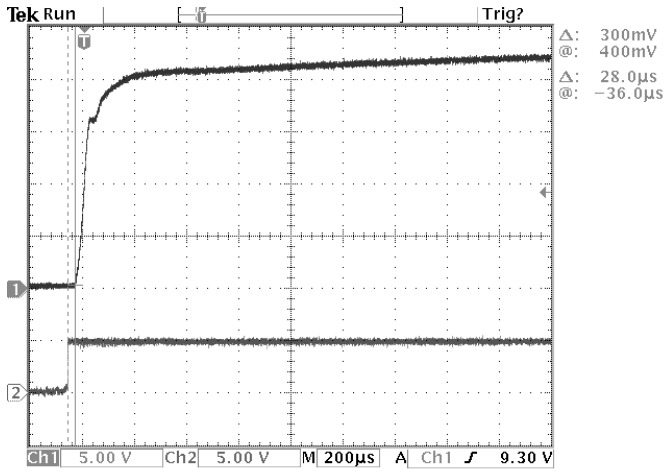


Photo 1: Remote Turn On
Vin=24V, Iout = 0.6A

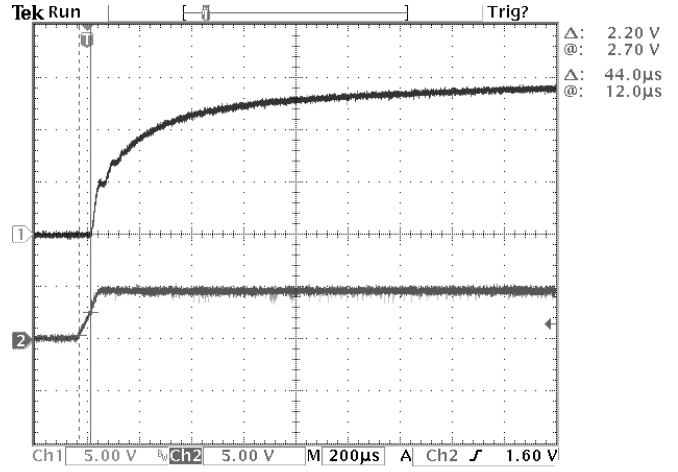


Photo 2: Remote Turn On
Vin=24V, Iout = 6.25A,

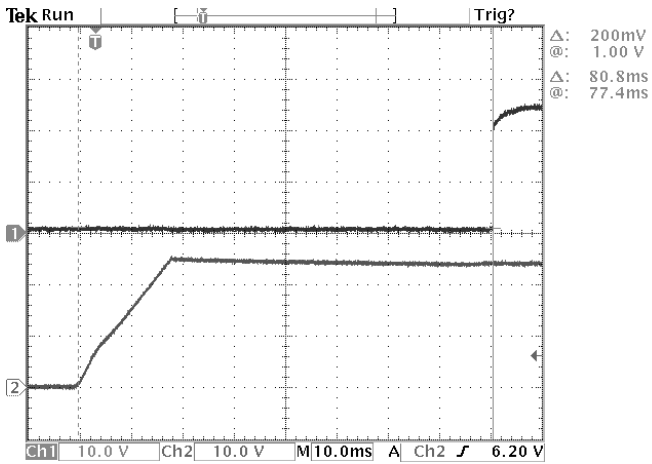


Photo 3: Normal Turn On
Vin=24V, Iout = 0.6A

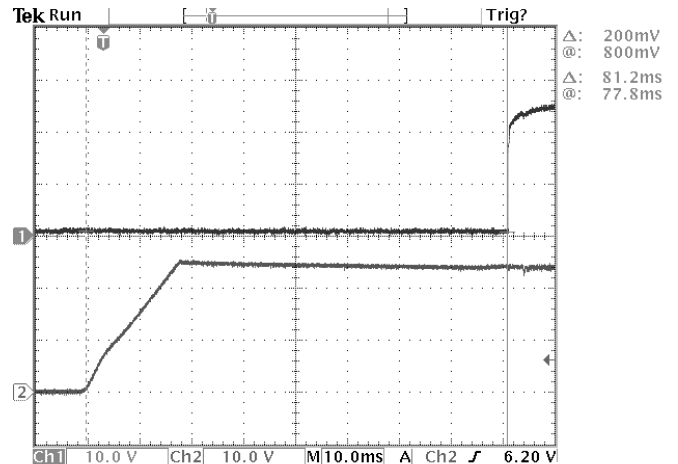


Photo 4: Normal Turn On
Vin=24V, Iout = 6.25A

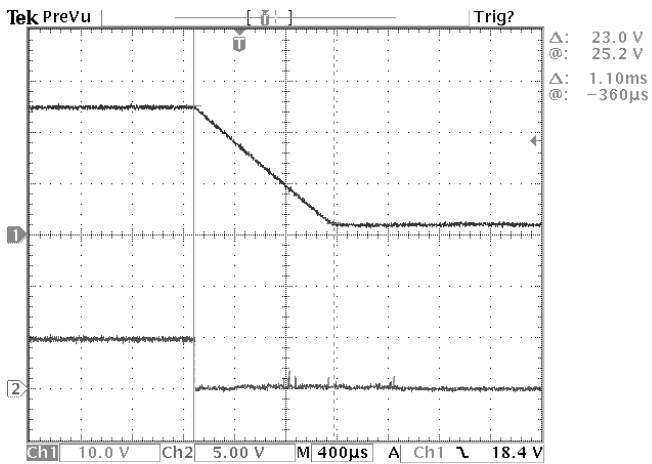


Photo 5: Remote Turn Off
Vin=24V, Iout = 0.6A

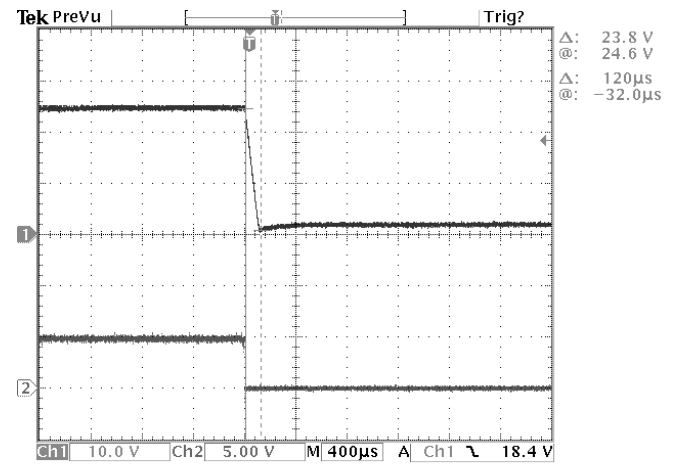


Photo 6: Remote Turn Off
Vin=24V, Iout = 6.25A

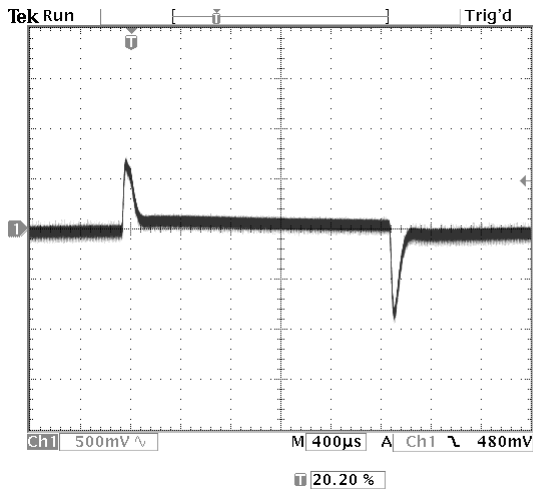


Photo 7: Transient Response 50% to 100%
 $V_{in}=24V$, $I_{out} = 3.125$ to $6.25A$
 $C_{out}=1\mu F$ Ceramic + $10\mu F$ Tantalum

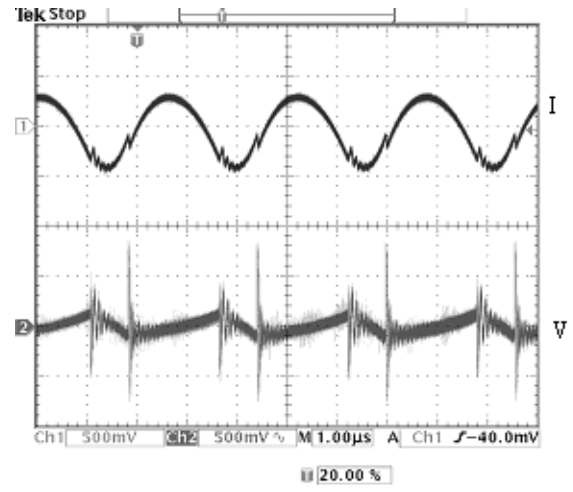


Photo 8: Input Reflected Ripple Voltage and Ripple Current
 $V_{in}=24V$, $I_{out} = 6.25A$
with a $680\mu F$ Aluminum Electrolytic and $12\mu H$ series inductor.

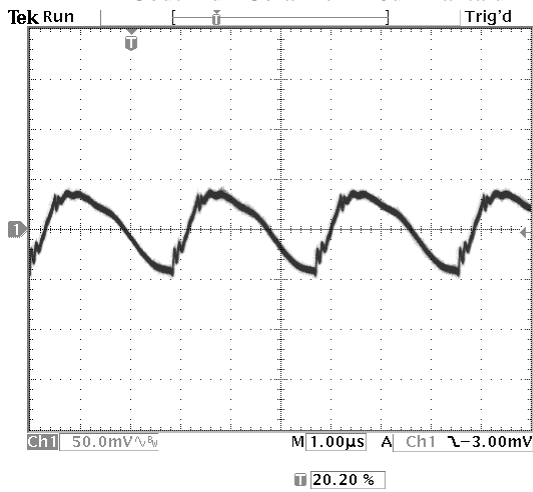


Photo 9: Output Voltage Ripple (20 MHz BW)
 $V_{in}=24V$, $I_{out}=0.6A$
 $C_{out}=1\mu F$ Ceramic + $10\mu F$ Tantalum

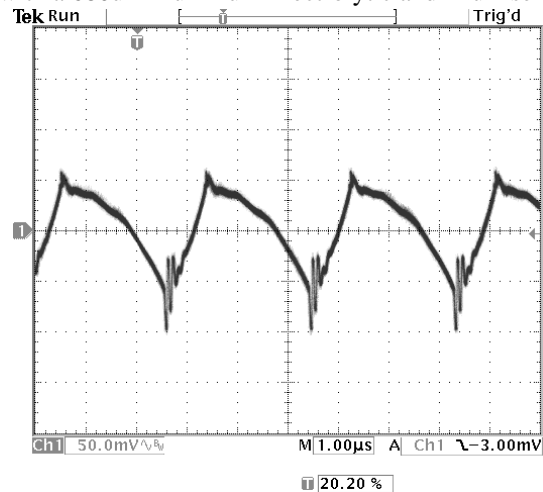


Photo 10: Output Voltage Ripple (20 MHz BW)
 $V_{in}=24V$, $I_{out}=6.25A$
 $C_{out}=1\mu F$ Ceramic + $10\mu F$ Tantalum

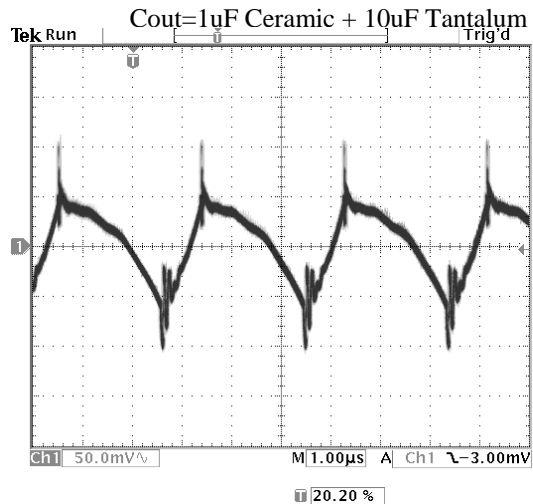


Photo 11: Output Voltage Ripple (Spike)
 $V_{in}=24V$, $I_{out} = 6.25A$
 $C_{out}=1\mu F$ Ceramic + $10\mu F$ Tantalum

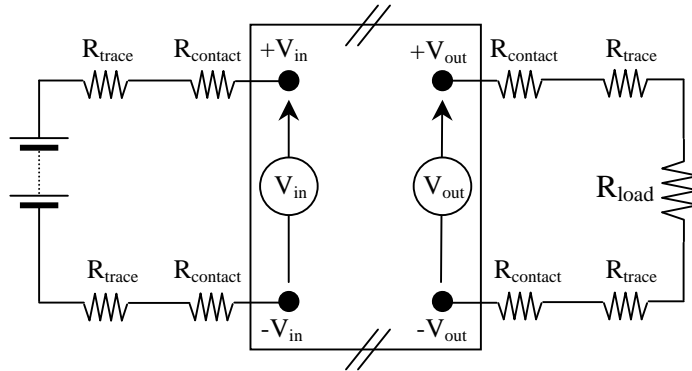
TEST SETUP:

The LV12S24-150 specifications are tested with the following configurations:

Regulation and Efficiency Setup

To ensure that accurate measurement are taken, the voltage measurements are taken directly at the terminal of the module. This minimizes errors due to contact and trace lengths between the load and the output of the supply. The following is a diagram of the test setup.

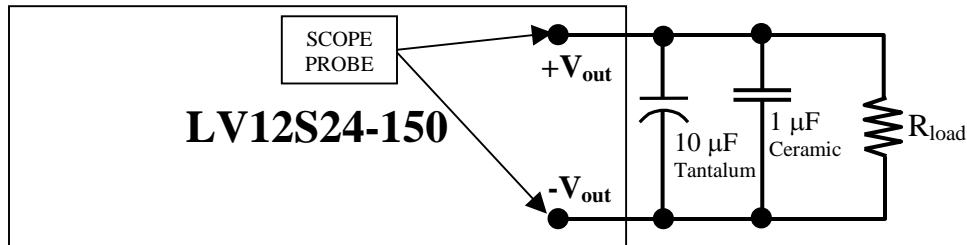
Figure 7: Regulation and Efficiency Probe Setup



Output Ripple Voltage Setup

The module is tested with a 1 μ F ceramic capacitor in parallel with a 10 μ F tantalum capacitor across the output terminals.

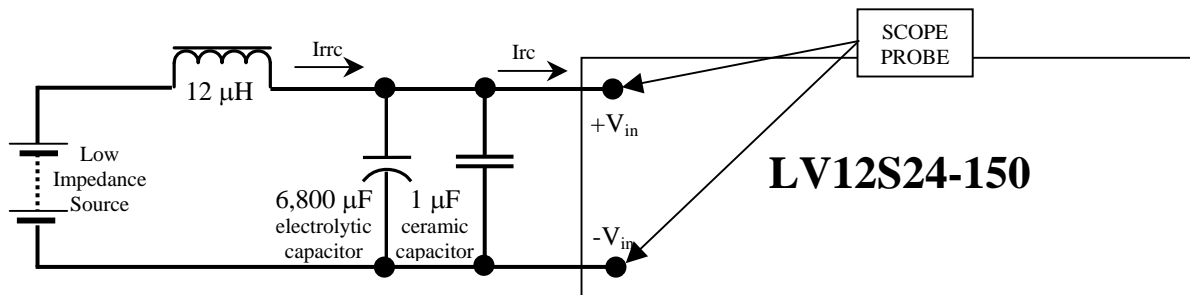
Figure 8: Ripple Voltage Probe Setup



Input Reflected Ripple Current and Input Ripple Current Setup

The module is tested for input reflected ripple current (I_{rrc}) and input ripple current (I_{rc}). The input ripple voltage is also measured at the pins with the following input filter. If there is a need to reduce input ripple current/voltage then additional ceramic capacitors can be added to the input of the converter.

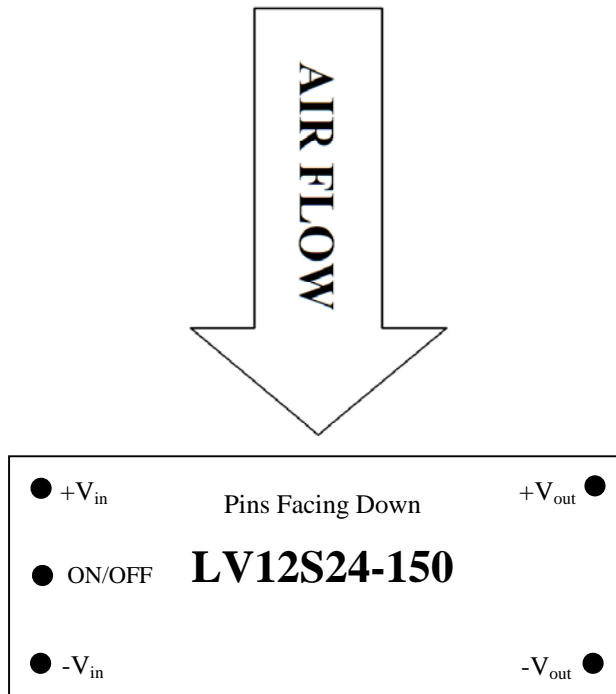
Figure 9: Ripple Current Setup



Converter Thermal Consideration

The converter is designed to operate without convective cooling if the derating curves are followed. The converter can operate at higher temperatures if airflow is applied. Airflow should be aligned lengthwise to the converter for optimum heat transfer. Contact Factory for derating curves.

Figure 10: Airflow Orientation



Company Information:

Wall Industries, Inc. has created custom and modified units for over 40 years. Our in-house research and development engineers will provide a solution that exceeds your performance requirements on-time and on budget. Our ISO9001-2008 certification is just one example of our commitment to producing a high quality, well documented product for our customers.

Our past projects demonstrate our commitment to you, our customer. Wall Industries, Inc. has a reputation for working closely with its customers to ensure each solution meets or exceeds form, fit and function requirements. We will continue to provide ongoing support for your project above and beyond the design and production phases. Give us a call today to discuss your future projects.

Contact **Wall Industries** for further information:

| | |
|-------------------|--|
| <u>Phone:</u> | ☎(603)778-2300 |
| <u>Toll Free:</u> | ☎(888)587-9255 |
| <u>Fax:</u> | ☎(603)778-9797 |
| <u>E-mail:</u> | sales@wallindustries.com |
| <u>Web:</u> | www.wallindustries.com |
| <u>Address:</u> | 5 Watson Brook Rd. Exeter, NH 03833 |