

80/100 W Ku BUC

FEATURES

- High output power with low power consumption
- Highly integrated design creates higher reliability
- GaN HEMTs results in best-in-class MTBF
- Outdoor design for wide operating temperature range
- Compact and light weight design
- Built-in telemetry facilities for RF power detection, mute control, gain control, high temperature shut-downs and summary alarms
- Designed to meet ETSI, FCC Standards
- RoHS Compliant

APPLICATIONS

- Mobile Backhaul
- Maritime
- Flyaway SNG Terminals
- Communication-On-Moving
- Transportable VSAT Stations

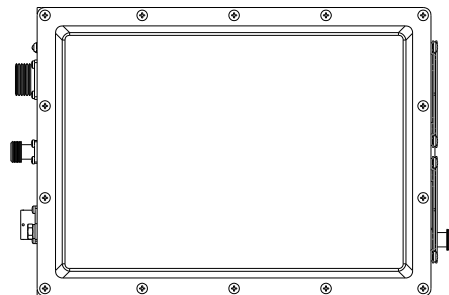
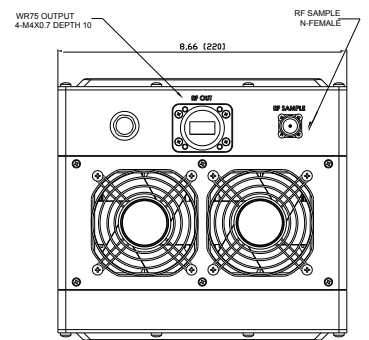
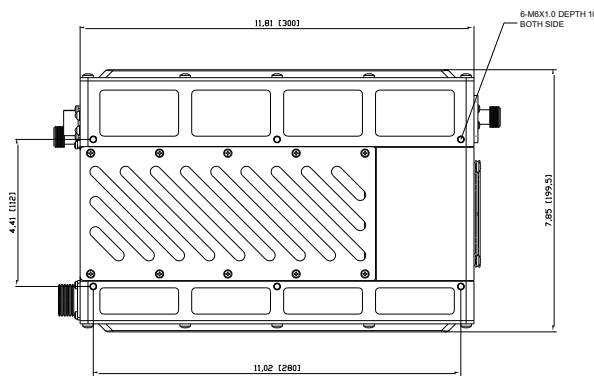
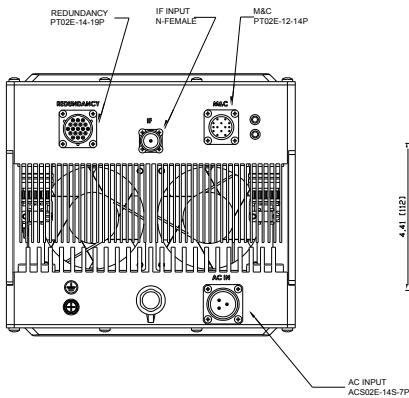
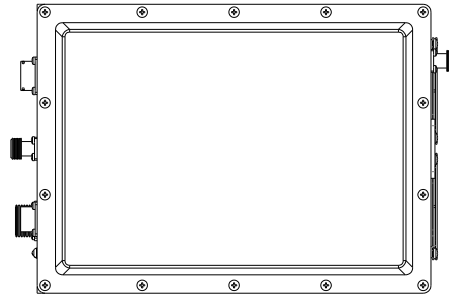


WaveLab Advantage™ BUCs (Block Up Converter) are technically advanced, highly reliable, and very cost effective due to high levels of integration design for high volume production.

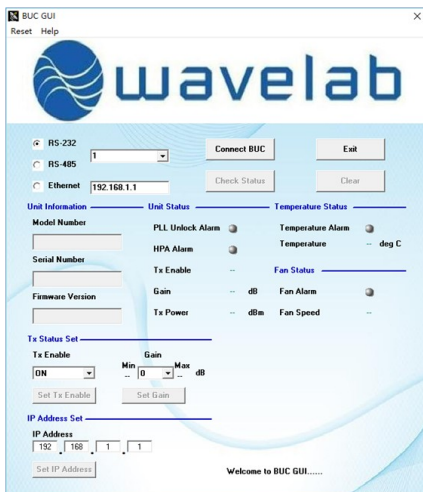
Next generation technologies provide higher output power in smaller, lighter weight packages for being more reliable and using less energy. WaveLab Ku band BUCs can be mounted in most existing customer systems because of their small size.

SPECIFICATIONS		
RF	80 W	100 W
Transmit Frequency - Extended Band Optional	14.0 - 14.5 GHz 13.75 - 14.5 GHz	
IF Frequency - Extended Band Optional	950 - 1450 MHz 950 - 1700 MHz	
External Reference	10 MHz, 0 ± 5 dBm	
Saturated Out Power	49.5 dBm	50.5 dBm
Rated Output Power	49 dBm	50 dBm
Linear Output Power	46 dBm	47 dBm
IM3 at Linear Output Power	-25 dBc	
Small Signal Gain	70 dB	
Gain Variation (Over frequency at fixed temperature)	1 dB p-p/ 36 MHz, 3 dB p-p/ 500 MHz, 4 dB p-p/ 750 MHz	
Gain Stability (Over temperature at fixed frequency)	±1.5 dB	
Gain Adjustment Range	20 dB (Step: 0.1 dB)	
Phase Noise	-63 dBc/Hz@ 100 Hz, -73 dBc/Hz@ 1 KHz -83 dBc/Hz@ 10 KHz, -93 dBc/Hz@ 100 KHz	
Output Spurious	-55 dBc (Max)	
POWER SUPPLY		
Power Supply	85 - 265 VAC, 47 - 63 Hz	
Power Supply Draw - at Rated Output Power	650 W	800 W
INTERFACES		
RF Output Connector	WR75-G (Grooved)	
RF Output VSWR	1.25: 1	
IF Input Connector	N-Type Female	
IF Input VSWR	1.5: 1	
Power Supply Connector	ACS02E-14S-7P	
Monitor and Control Connector	PT02E-12-14P, for RS-485, RS-232 & Ethernet	
Redundancy Connector	PT02E-14-19P, for RS-485, RS-232 & Ethernet	
LED Indicators	Red & Green	
PHYSICAL PARAMETERS		
Size	300*220*200 mm	
Weight	10 Kg	
Operating Temperature	-40 to +60 °C	
Humidity	0 - 100% (Condensing)	
Altitude	0 - 3000 m ASL	

Mechanical Diagram



UNIT: in(mm)



WaveLab BUC GUI

It provides various methods of the remote M&C including Ethernet, RS-485 and RS-232.

Users may check unit information and status, and change the setting of Gain and TX Enable.

Specifications are subject to change without notice.

Ordering Number

W L B - K U X Y Y - 0 0 A 0 W - A 0

X: Frequency range

- **S** - standard band 14.0 - 14.5 GHz
- **E** - extended band 13.75 - 14.5 GHz

YY: Power in WATTS

- **80** - 80 Watts, **1H** - 100 Watts

WaveLab Inc.

Address: 12007 Sunrise Valley Drive. Suite 450 Reston, Virginia 20191 USA

Phone: +1-703-8603522

Fax: +1-703-8609322

WaveLab Telecom Equipment (GZ) Ltd.

Address: No. 6 Jinbi Road, Guangzhou Economic & Technological Development District, 510730 CHN

Phone: +86-20-28396481

Fax: +86-20-82229262