

323 series

power inductors

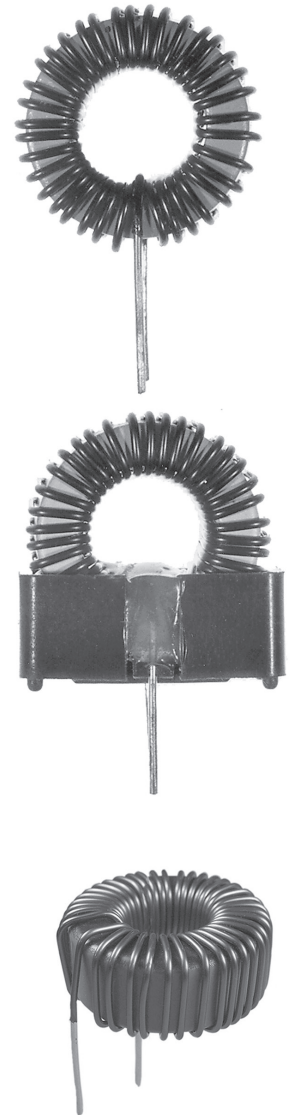
PRODUCT DESCRIPTION

West Coast Magnetics' 323 series toroidal inductors are designed for switching power applications at frequencies up to 500 kHz. This inductor has an outstanding current rating for its size, high reliability, long service life and ability to handle very high peak currents without saturating. The continuous service temperature rating is 200° C.

FEATURES & BENEFITS

200° C rating – Low EMI due to toroidal design

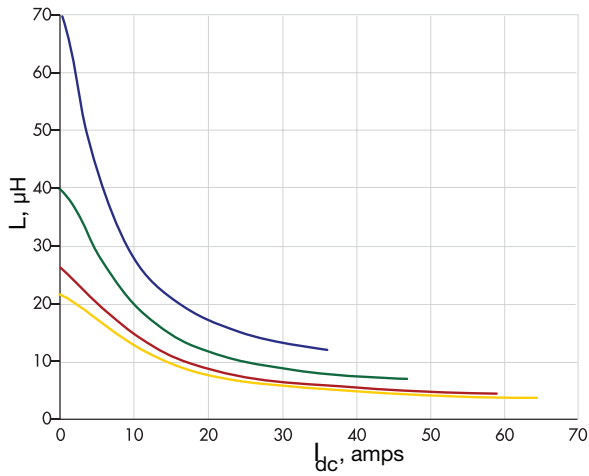
Product Code	Minimum Inductance (μ H) no DC	Nominal DCR (mOhms) @20°C	Rated RMS Current (amps)	Mounted Coil Size Code	Bare Coil Size Code (Vertical)	Bare Coil Size Code (Horizontal)	Lead Diameter (inches)
323-1	60.0	79	4.5	KM-02	BV-02	BH-02	0.023
323-2	17.9	38	4.5	KM-01	BV-01	BH-01	0.023
323-3	34.3	60	4.5	KM-02	BV-02	BH-02	0.023
323-4	86.5	99	4.5	KM-03	BV-03	BH-03	0.023
323-5	22.3	31	6.0	KM-02	BV-02	BH-02	0.028
323-6	53.0	50	6.0	KM-03	BV-03	BH-03	0.028
323-7	124.5	88	6.0	KM-04	BV-04	BH-04	0.028
323-8	184.7	107	6.0	KM-05	BV-05	BH-05	0.028
323-9	254.9	129	6.0	KM-05	BV-07	BH-07	0.028
323-10	72.8	43	8.0	KM-04	BV-04	BH-04	0.035
323-11	143.6	53	8.0	KM-05	BV-05	BH-05	0.035
323-12	154.6	64	8.0	KM-05	BV-07	BH-07	0.035
323-13	32.1	25	8.0	KM-03	BV-03	BH-03	0.035
323-14	18.9	19	8.0	KM-02	BV-02	BH-02	0.035
323-15	68.8	27	13.0	KM-05	BV-05	BH-05	0.044
323-16	94.7	32	13.0	KM-05	BV-07	BH-07	0.044
323-17	43.1	22	13.0	KM-04	BV-04	BH-04	0.044
323-18	84.5	20	17.0	KM-05	BV-07	BH-07	0.055
323-19	38.7	13	17.0	KM-05	BV-05	BH-05	0.055
323-20	45.7	15	17.0	KM-05	BV-07	BH-07	0.055



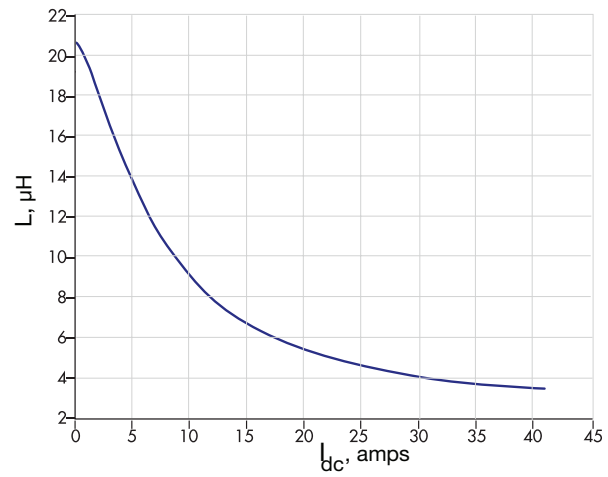
Note: RMS current rating is a suggested value only. It may require derating depending on magnitude and frequency of ripple current.



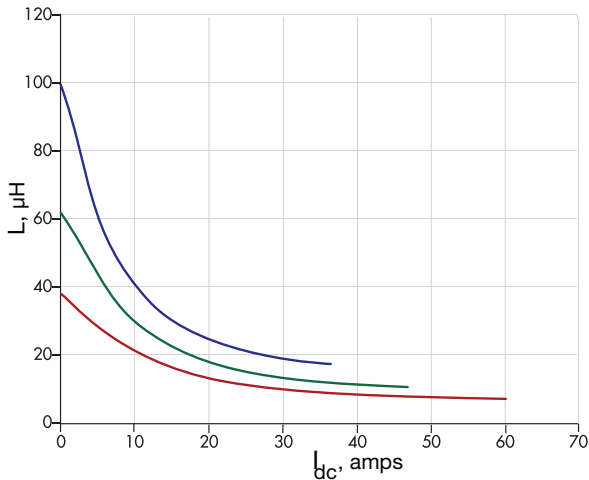
WCM 323.1 **blue** WCM 323.3 **green** WCM 323.5 **red** WCM 323.14 **gold**



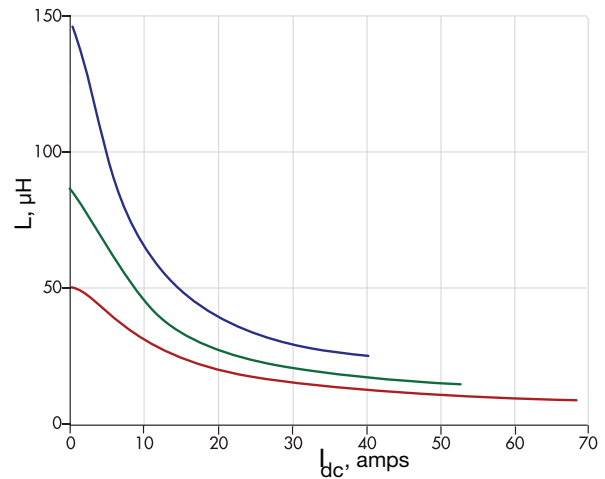
WCM 323.2 **blue**



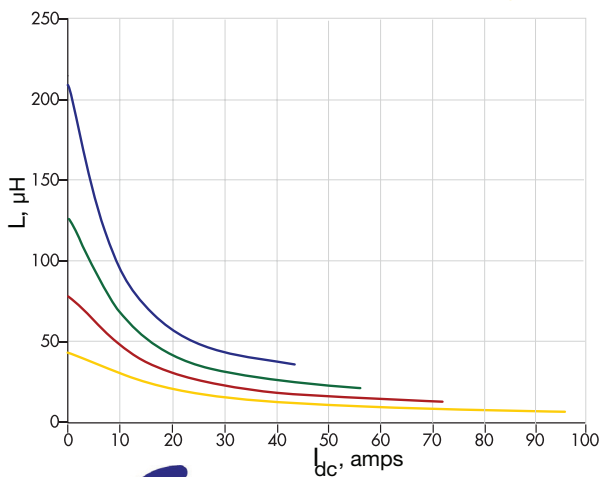
WCM 323.4 **blue** WCM 323.6 **green** WCM 323.13 **red**



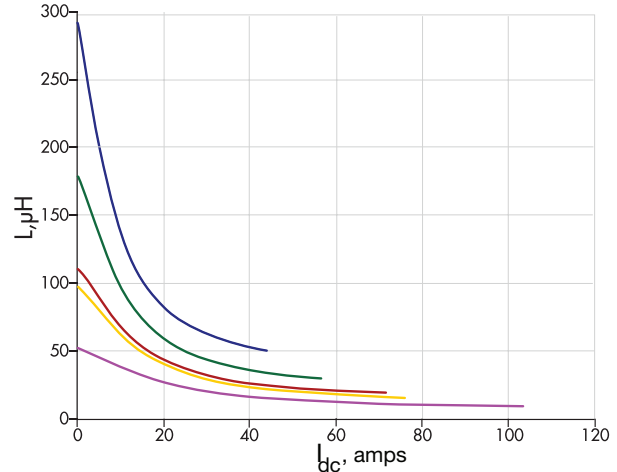
WCM 323.7 **blue** WCM 323.10 **green** WCM 323.17 **red**



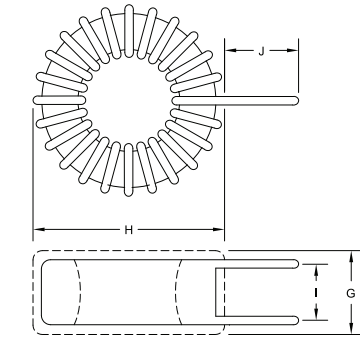
WCM 323.8 **blue** WCM 323.11 **green** WCM 323.15 **red** WCM 323.19 **gold**



WCM 323.9 **blue** WCM 323.12 **green** WCM 323.16 **red** WCM 323.18 **gold** WCM 323.20 **violet**



323 BARE COIL (Vertical)

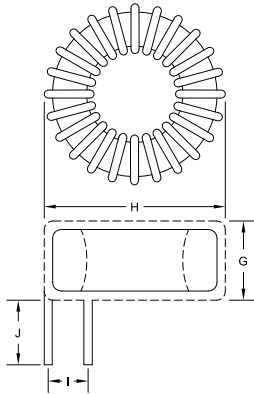


Leads stripped and tinned to within 0.10" of Coil.

V. Bare Coil Size Code	G*	H*	I	J
BV-01	0.280"	0.530"	0.182"	0.500"
BV-02	0.370"	0.790"	0.262"	0.500"
BV-03	0.400"	0.810"	0.285"	0.500"
BV-04	0.550"	0.930"	0.419"	0.500"
BV-05	0.530"	1.250"	0.367"	0.500"
BV-06	0.420"	0.840"	0.295"	0.500"
BV-07	0.650"	1.250"	0.492"	0.500"

* Maximum dimension

323 BARE COIL (Horizontal)

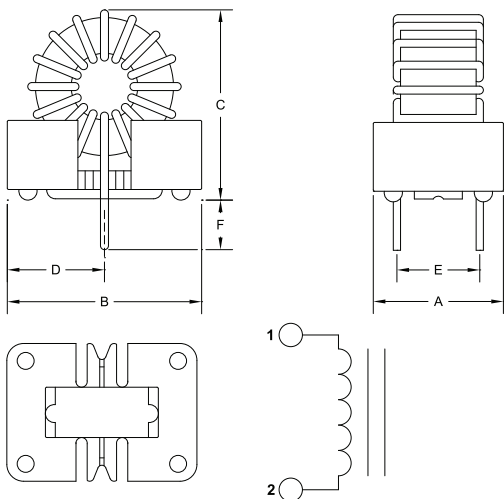


Leads stripped and tinned to bottom of Coil.

H. Bare Coil Size Code	G*	H*	I	J
BH-01	0.280"	0.530"	0.274"	0.25"
BH-02	0.370"	0.790"	0.332"	0.25"
BH-03	0.400"	0.810"	0.395"	0.25"
BH-04	0.550"	0.930"	0.384"	0.25"
BH-05	0.530"	1.250"	0.385"	0.25"
BH-06	0.420"	0.840"	0.295"	0.25"
BH-07	0.650"	1.250"	0.585"	0.25"

* Maximum dimension

323 MOUNTED COIL



Mounted Coil Size Code	A	B	C*	D	E	F
KM-01	0.340"	0.580"	0.650"	0.290"	0.220"	0.250"
KM-02	0.450"	0.650"	0.900"	0.325"	0.300"	0.250"
KM-03	0.450"	0.830"	0.950"	0.415"	0.300"	0.250"
KM-04	0.600"	0.950"	1.040"	0.475"	0.450"	0.250"
KM-05	0.700"	1.250"	1.380"	0.625"	0.500"	0.250"

* Maximum dimension