



WCM320 series

power inductors

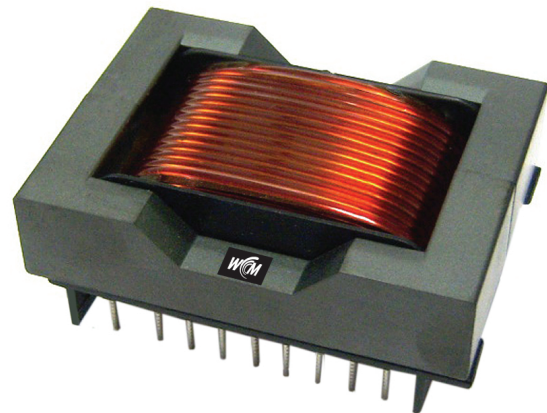
PRODUCT DESCRIPTION

WCM's 320 series inductors are designed for use in buck boost (differential) circuits. Using an improved generation of Shaped Foil Technology, this inductor series has lower core and winding losses than competing products, especially at frequencies over 10 kHz and ripple current magnitudes of 5% and higher. The 320 series is an industry leading low cost, high performance inductor.

SHAPED FOIL TECHNOLOGY™

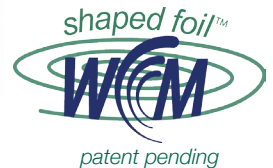
West Coast Magnetics' exclusive SHAPED FOIL TECHNOLOGY™ combines the low DCR of a foil winding, with the low AC winding resistance of Litz wire. For many high ripple, high frequency applications this product has significantly lower winding losses than any Litz or solid wire winding. Check with WCM's engineering department to see if it is right for your application.

Product Code	Inductance (μH)	DCR ($m\Omega$)	I_{dc} INPUT (A)	Schematic
320-01	228.9	16.50	12.0	A
320-02	156.0	9.80	16.0	A
320-03	74.1	4.71	24.0	A
320-04	58.8	3.42	32.0	A
320-05	36.8	2.41	40.0	B
320-06	25.8	2.06	48.0	B
320-07	16.2	1.03	56.0	B



9001:2008 certified ISO

13485:2003 certified ISO

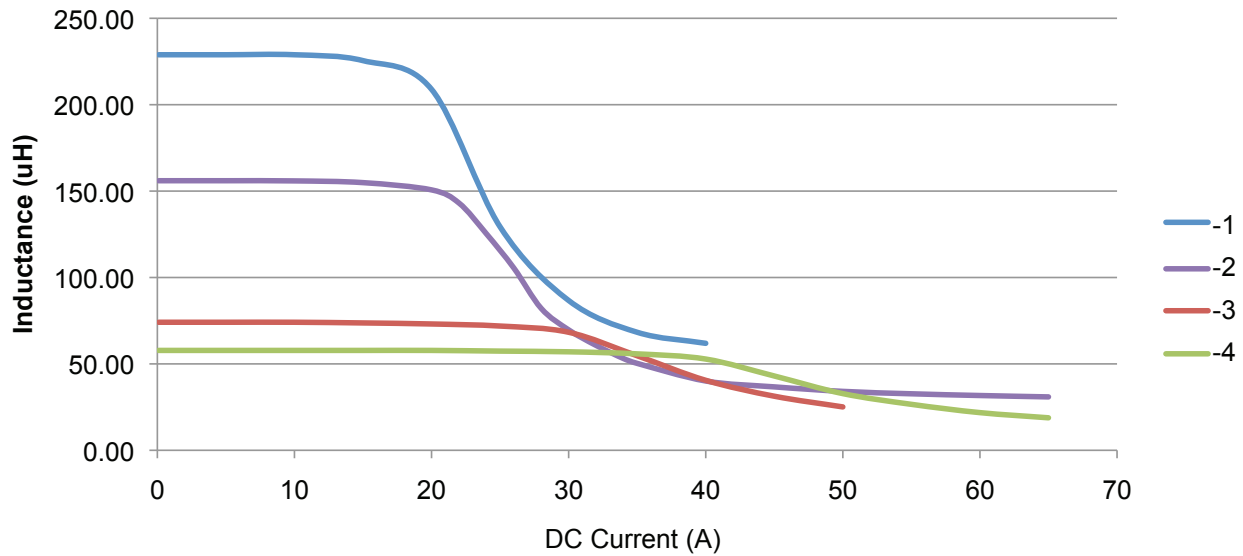




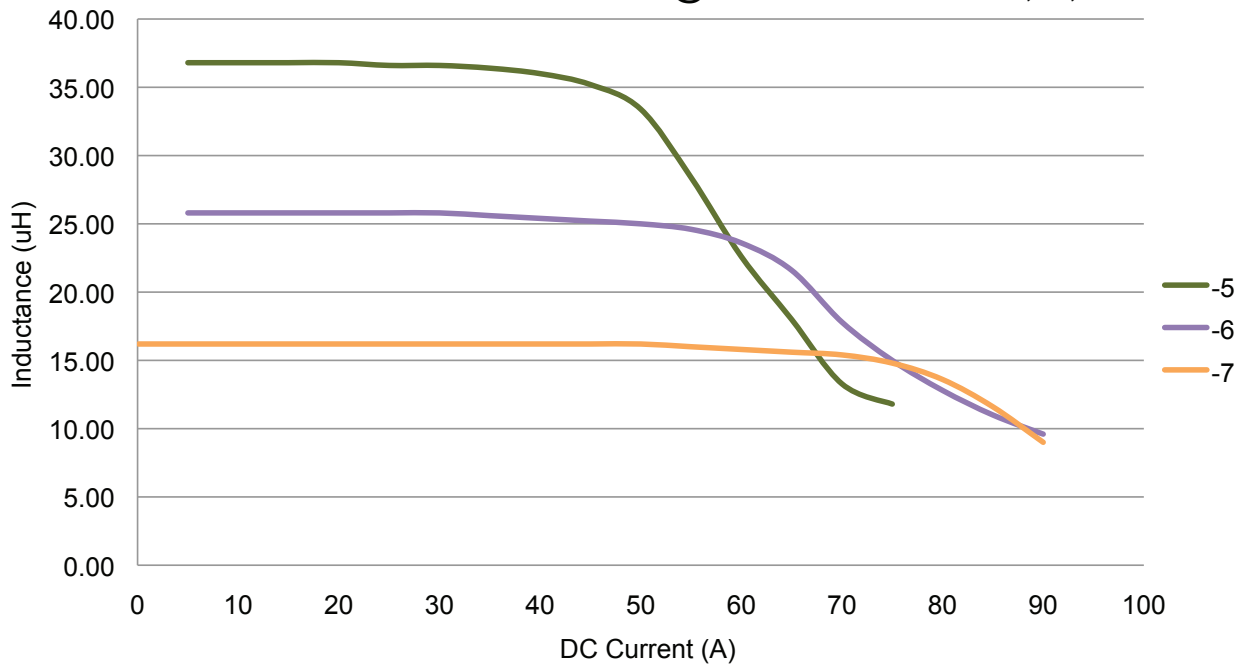
WCM320 series p.2

power inductors

Inductance vs DC Current @ 100kHz WCM320-01,02,03,04



Inductance vs DC Current @ 100 kHz WCM320- 05,06,07

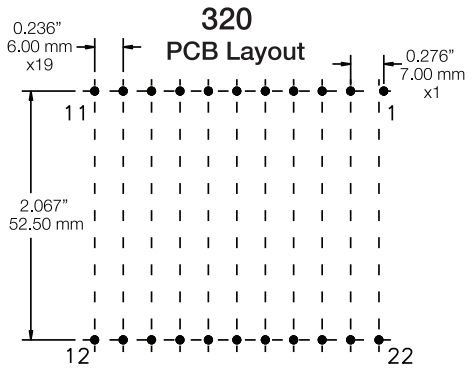
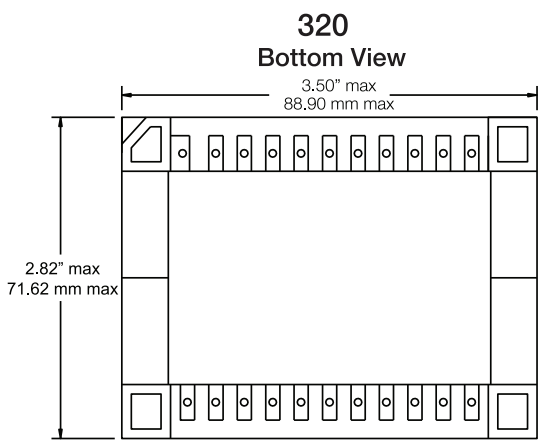
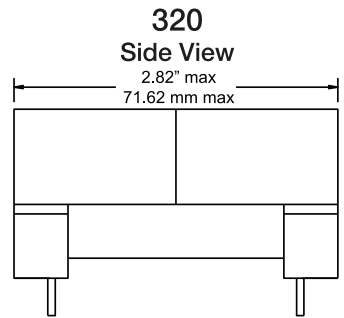
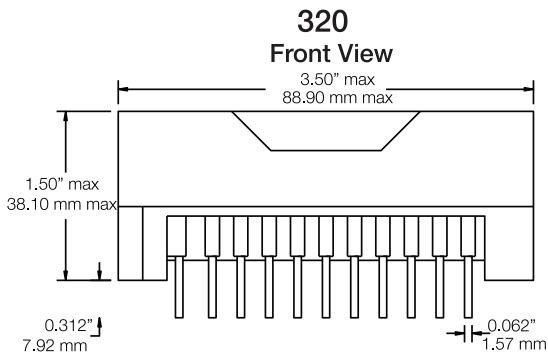




WCM320 series p.3

power inductors

Dimensions: $\frac{\text{inches}}{\text{mm}}$



Tolerance:

Inches

- x.xx ± 0.010"
- x.xxx ± 0.005"

Millimeters

- x.x ± 0.25 mm
- x.xx ± 0.13 mm

Pin diameter=0.062"

