

---

# LMF / LMG Connectors

---

Threaded coupling circular connectors  
designed to use in exposed environments



**Weald**  
*ELECTRONICS*

MANUFACTURERS OF HIGH QUALITY CONNECTORS AND CONNECTOR ACCESSORIES

[www.wealdelectronics.com](http://www.wealdelectronics.com)

**LMF / LMG RANGE  
CONTENTS**

Introduction .....	3
How to use LMF / LMG Catalogues .....	3
LMF Range Basic Information .....	4
LMF Range Shell Styles (Aluminium) .....	5
LMF Range Shell Styles (Brass) .....	6
LMF Range Mating Combinations .....	7
LMF Range Characteristics .....	8
LMG Range Basic Information .....	9
LMG Range Shell Styles (Aluminium) .....	10
LMG Range Shell Styles (Brass) .....	11
LMG Range Mating Combinations .....	12
LMG Range Characteristics .....	13
LMF/LMG Range Connectors .....	14-34
LMF/LMG Dimensions and Panel Piercing Details (Aluminium) .....	35-36
LMF/LMG Dimensions and Panel Piercing Details (Brass) .....	37-40
LMF Connector Part Number Index .....	41
LMG Connector Part Number Index .....	42
Product Safety Information.....	43

**About Weald Electronics**

Weald Electronics is a leading U.K. manufacturer of electronic and electrical connectors for military and industrial interconnection applications.

We offer a wide selection of circular bayonet coupling and screw coupling power connectors, filtered circular connectors and cable connectors in a wide choice of materials and finishes, with specialist ranges suited to the most demanding environments including mining & marine applications.

Customers may specify from a wide range of shell sizes, styles, plug and socket contact types and contact arrangements. Double sided bulkhead versions of our connectors are available and thermocouple contacts can be fitted on request.

**Product Availability**

Weald Electronics connectors are available through our sole worldwide distributors Lane Electronics.

Lane Electronics is a franchised distributor for Huber & Suhner, Souriau, ITW McMurdo, Pancon Connectors, Polamco, Glenair, AVX, Neutrik, Nicomatic, Positronic, Amphenol and HellermannTyton. Product types stocked include aerospace, coaxial, RF, audio, MIL-DTL-38999, MIL-DTL-26482, MIL-DTL-5015, DIN 41612, PCB, D type and back shells. This also includes Souriau's MIL-DTL-38999 Elio fibre optic, miniature and naval bronze connector types.

**For all enquiries on price and availability, please contact Lane Electronics:**

**Phone: +44 (0)1403 790 661 - Direct line to the sales department.**

**Fax: +44 (0)1403 790 849**

**Email: sales@fclane.com**



## LMF / LMG RANGE

### RANGES OF CONNECTORS

'LMF' and 'LMG' Connectors have a medium to low density range of contact arrangements, using from 1 to 26 contacts, housed in a range of shell styles, within 3 shell sizes.

Shell Size 1.....Small

Shell Size 2.....Medium

Shell Size 3.....Large

Both ranges of connectors are suitable for use in exposed environments to the limits as detailed in specifications:

'LMF' to LMF/3/1

'LMG' to BS 9522:F0014

There are two types within these connector ranges:

- a) Aluminium with fine thread coupling, suitable for light-weight use.
- b) Brass with coarse thread coupling, suitable for more rugged applications.

The 'LMF' RANGE, formerly known as MK4, is the forerunner of these ranges, and has a temperature category of -40°C to +85°C, with a limited environmental capability. Additional to the standard range of shell styles are *Bulkhead Connectors* which will accept the full range of insert arrangements, and additional to insert arrangements are *Concentric Connectors* which are for single core high voltage applications.

The 'LMG' RANGE, formerly MK7 (Patt.104), is an update on the LMF range and has a more comprehensive environmental performance. Standard inserts are polychloroprene and the temperature range is -55°C to +100°C. For more demanding applications the fluorinated silicone rubber\* may be selected for insulators and the temperature range extends to -55°C to +150°C. 'LMG' range does not include Bulkhead or Concentric style connectors.

Should the occasion demand, 'LMF' and 'LMG' connectors are intermateable within their respective styles and types. In this instance performance will be controlled by 'LMF' capability.

The full range of accessories outlined in the accessories section can be used on these connector ranges. Aluminium accessories can be used on brass connectors but in certain hostile environments, e.g. Mines and Petrochemical areas, the use of aluminium is undesirable, therefore, care must be taken when ordering.

\* - High temperature version available to special order. Please contact Sales for more details.

#### HOW TO USE LMF / LMG CATALOGUES

The sealing efficiency of outlets used with LMF and LMG Plugs and Sockets is entirely dependent upon the selection of the correct sequence and size of outlet ancillary fittings applicable to a particular type and size of cable.

1. Select relevant plug or socket from catalogue range pages 14 - 34
2. Refer to accessories catalogue pages 4 - 6 to select the correct accessory to suit shell & cable size of your connector.
3. Recommended wiring methods see accessories catalogue pages 13 - 15
4. Protective caps see accessories catalogue pages 7 - 9

All contacts supplied with connectors are silver plated. To specify gold-plated contacts replace penultimate digit of connector part number with the figure 1. (e.g. /320 silver contacts /310 gold contacts)

#### DIMENSIONS

All dimensions with the exception of Imperial threads are in millimetres and are nominal. They are derived from original Imperial dimensions.



**LMF RANGE**  
**ALUMINIUM AND BRASS CIRCULAR CONNECTORS**

The LMF range consists of multi-contact circular connectors with fine and coarse thread couplings and non-removable solder contacts for DC and low-frequency applications. Configuration of contacts varies from 1 to 25. All fixed connectors are barrier and panel sealed. Free connectors are environmentally resistant.

Polarisation is effected by a single arrangement of housing (shell) keys and keyways with six different angular dispositions of the insert. These are designated 0, 1, 2, 3, 4 and 5. The polarisation availability for each connector is shown on the appropriate connector page (note: This is not applicable to concentrics).

Housing (shell) materials are aluminium alloy (with fine coupling threads) and brass (with coarse coupling threads).

The standard finish for aluminium is clean (natural/unplated) and the standard finish for brass is cadmium plate and passivate.

Accessories are available in aluminium alloy and brass. The standard finish is as for connectors.

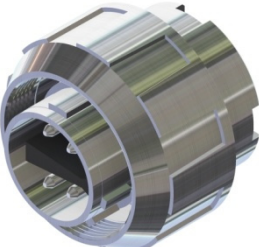
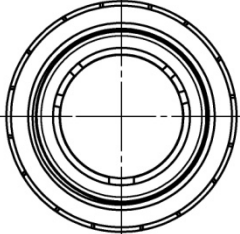
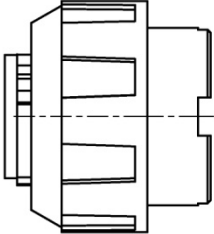

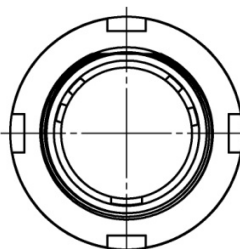
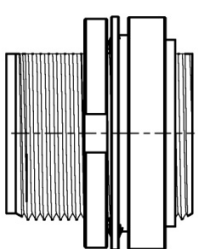

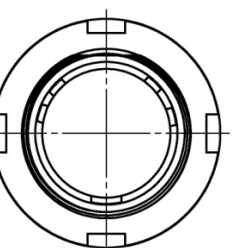
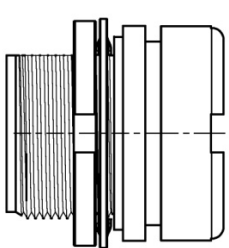

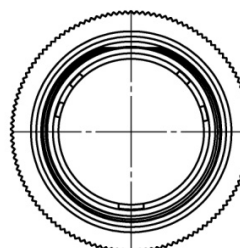
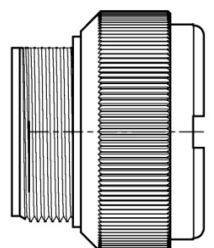

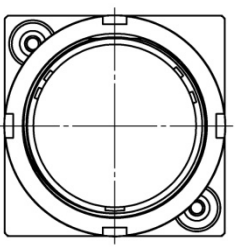
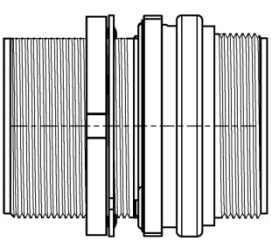
Thermocouple connectors are available with alumel and chromel / brass and constantan contacts (part numbers on request).

The standard contact finish is silver plate.


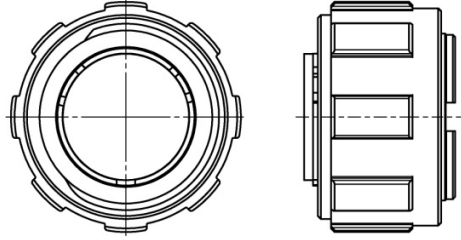

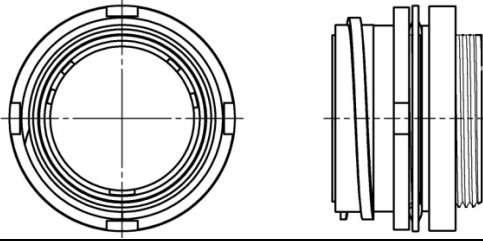
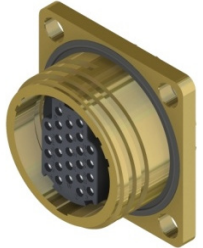
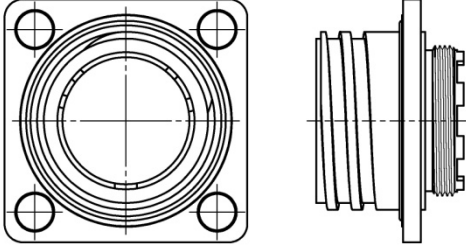

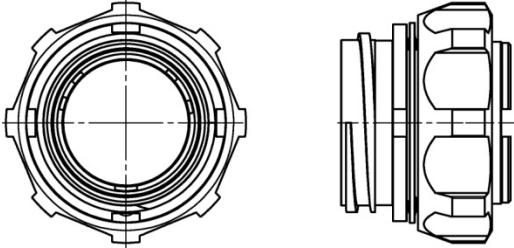

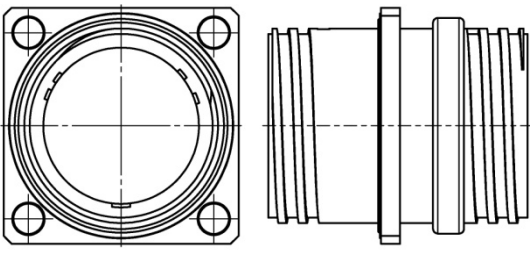
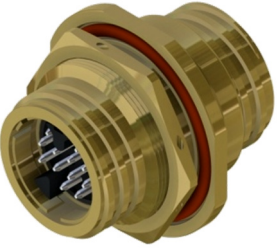
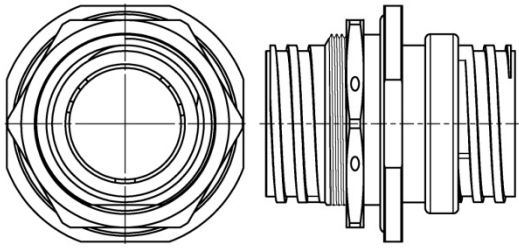




**LMF RANGE  
SHELL STYLES  
ALUMINIUM CONNECTORS WITH FINE THREAD**

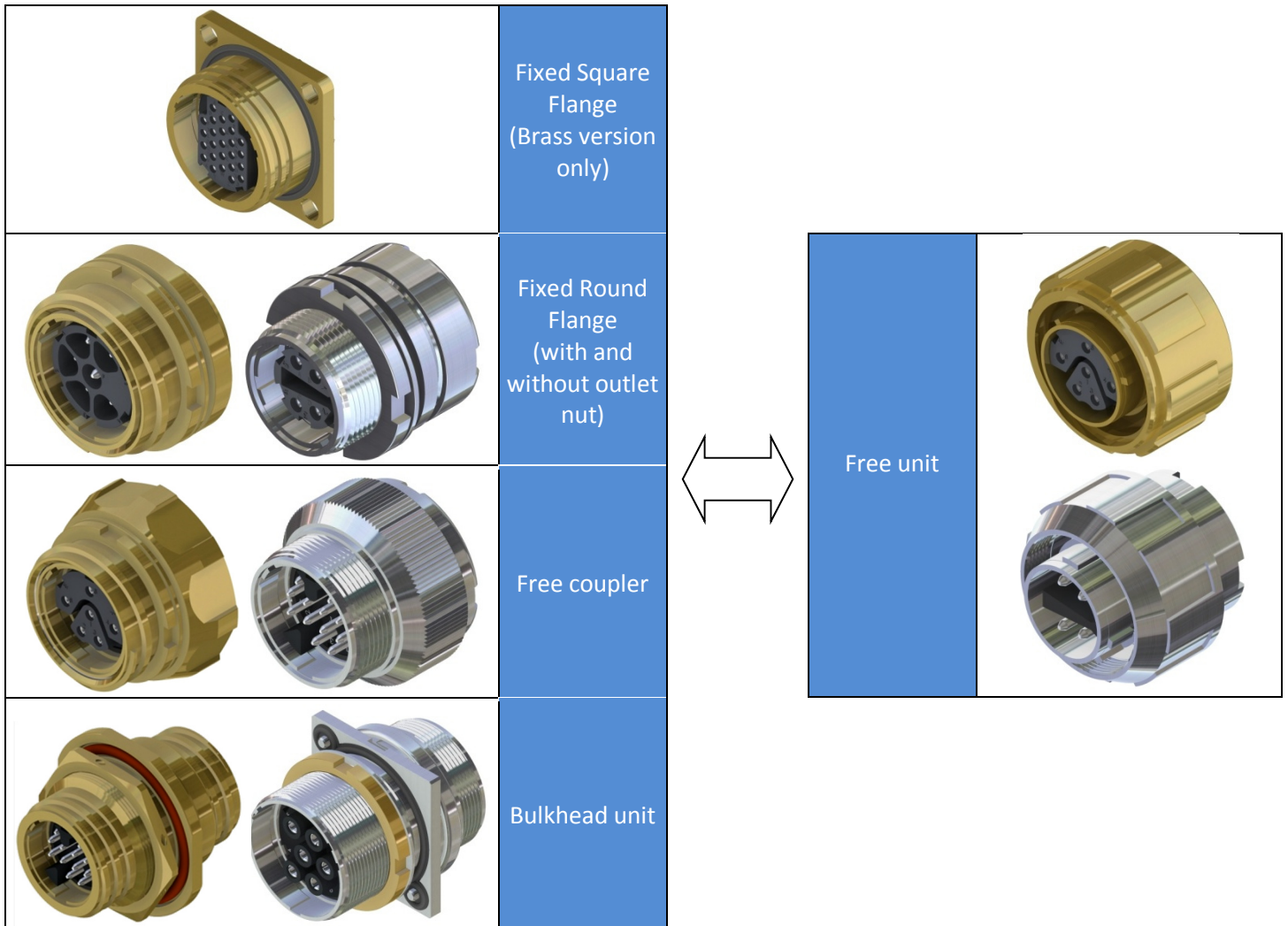
<p><b>FREE UNIT</b> A free plug or socket is wired to a cable as a means of connecting the cable to mating components. Outlet nuts are supplied with these items.</p>				<p>Mates with: Fixed unit Free coupler Bulkhead unit</p>
<p><b>FIXED UNIT</b> A fixed plug or socket - for single hole mounting - with no facility for the use of cable fittings.</p>				<p>Mates with: Free unit</p>
<p><b>FIXED UNIT WITH OUTLET NUT</b> A fixed plug or socket - single hole mounting with the facility for the use of cable fittings.</p>				<p>Mates with: Free unit</p>
<p><b>FREE COUPLER UNIT</b> A free coupler plug or socket is wired to a cable as a means of connecting two free cables.</p>				<p>Mates with: Free unit</p>
<p><b>BULKHEAD CONNECTOR</b> A climatic proof pressurised bulkhead connector is used to permit a complete break in a cable passing through a bulkhead. It has male contacts one end and female contacts the other. The bulkhead plug/socket has the plug moulding on the flange side of the bulkhead; the socket/plug has the socket moulding on the flange side of the bulkhead.</p>				<p>Mates with: Free unit</p>

**LMF RANGE  
SHELL STYLES  
BRASS CONNECTORS WITH COARSE THREAD**

<p><b>FREE UNIT</b> A free plug or socket is wired to a cable as a means of connecting the cable to mating components. Outlet nuts are supplied with these items.</p>			<p>Mates with: Fixed unit Free coupler Bulkhead unit</p>
<p><b>FIXED UNIT</b> A fixed plug or socket - for single hole mounting - with no facility for the use of cable fittings. Mates with free plug or socket only.</p>			<p>Mates with: Free unit</p>
<p><b>FIXED UNIT SQUARE FLANGE</b> A fixed plug or socket - four corner hole mounting with the facility for the use of cable fittings.</p>			<p>Mates with: Free unit</p>
<p><b>FREE COUPLER UNIT</b> A free coupler plug or socket is wired to a cable as a means of connecting two free cables.</p>			<p>Mates with: Free unit</p>
<p><b>BULKHEAD CONNECTOR</b> A climatic proof pressurised bulkhead connector is used to permit a complete break in a cable passing through a bulkhead. It has male contacts one end and female contacts the other. The bulkhead plug/socket has the plug moulding on the flange side of the bulkhead; the socket/plug has the socket moulding on the flange side of the bulkhead.</p>			<p>Mates with: Free unit</p>
<p><b>BULKHEAD CONNECTOR FOR SINGLE HOLE MOUNTING *</b> Special version of bulkhead connector with a single fixing hole, secured in place by a specially designed jam nut.</p>			<p>Mates with: Free unit</p>

\* - Available to special order

**LMF RANGE**  
**MATING COMBINATIONS AND ORIENTATION**



All LMF connectors can be supplied with male and female contacts/mouldings and can be mated in combinations as shown above. The complete range of LMF Plugs and Sockets is catalogued on pages 8 to 25, and all units with the same contact arrangement are shown grouped together in order of number of contacts.

The diagram above each group shows the plug pin arrangement, the contact coding and moulding characteristics of the mating face of a plug. All coding of sockets is reversed, i.e. a mirror image of the plug coding

A feature of LMF plugs and sockets is that the internal moulding carrying the contacts may be located in any one of six radial positions relative to the major keyway in the outer shell (see diagrams at the side of each group, pages 14 to 32). This facility eliminates the possibility of mismatching adjacent plugs and sockets of the same contact arrangement. The sixth position is known as 'neutral' (shown in all diagrams as orientation position 0). Unless otherwise stated when ordering, all plugs and sockets will be supplied in the neutral position. Orientated units are identified by replacing the last digit of the part number of the neutral unit with a position number. The last digit for neutral units is always 0. Only orientations of the same suffix number can be mated together.

Attention is drawn to the 3 contact 5 amp range of plugs and sockets in which only positions 0 and 5 are available as orientation variations.



## LMF RANGE CHARACTERISTICS

### ALUMINIUM VERSION (FINE THREAD) CONNECTORS

Temperature range	-40° to +85°C					
Maximum altitude	20,117 metres					
Number of Contacts	1, 2, 3, 4, 5, 6, 9, 12, 13, 18, 25					
Maximum current rating per individual contact at 70°C	5-60 amps dependent on contact size					
Contact finish	Silver plated (standard)					
Contact Solder Bucket	Rating	5 amp	12 amp	19 amp	35 amp	60 amp
	Inside dia.	1.50 mm	2.00 mm	2.75 mm	3.70 mm	5.00 mm
Working Voltage: DC or AC (Peak)	250 volts at sea level (normal contacts) 1500 and 2500 volts (high voltage contacts)					
Polarization	By housing (Shell) keys and keyways and by insert orientation					
Dielectric material	Plastic and Polychloroprene					
Dielectric construction	Sandwich					
Sealing	FREE CONNECTORS - Environmentally resistant FIXED CONNECTORS - Barrier and panel sealed. Max leakage 1 cc/hr at pressure differential of 1 Bar					
Housing material	Aluminium Alloy					

### BRASS VERSION (COARSE THREAD) CONNECTORS

Temperature range	-40° to +85°C					
Maximum altitude	8474 metres					
Number of Contacts	1, 2, 3, 4, 5, 6, 9, 12, 13, 18, 25					
Maximum current rating per individual contact at 70°C	5-60 amps dependent on contact size					
Contact finish	Silver plated (standard)					
Contact Solder Bucket	Rating	5 amp	12 amp	19 amp	35 amp	60 amp
	Inside dia.	1.50 mm	2.00 mm	2.75 mm	3.70 mm	5.00 mm
Working Voltage: DC or AC (Peak)	250 volts at sea level (normal contacts) 1500 and 2500 volts (high voltage contacts)					
Polarization	By housing (Shell) keys and keyways and by insert orientation					
Dielectric material	Plastic and Polychloroprene					
Dielectric construction	Sandwich					
Sealing	FREE CONNECTORS - Environmentally resistant FIXED CONNECTORS - Barrier and panel sealed. Max leakage 1 cc/hr at pressure differential of 1 Bar					
Housing material	Brass					

#### APPLICATION – TYPICAL

Suitable for cable to panel connections in an exposed environment.  
Aluminium, fine thread is for lightweight use.  
Brass, coarse thread is used for heavy duty and in rugged conditions.

#### SPECIFICATION

LMF/3/1

## LMG RANGE ALUMINIUM AND BRASS CIRCULAR CONNECTORS

The LMG range consists of multi-contact circular connectors with fine and coarse thread couplings and non-removable solder contacts for DC and low-frequency applications. All fixed connectors are barrier and panel sealed. Free connectors are environmentally resistant.

Polarization is effected by a single arrangement of housing (shell) keys and keyways with six different angular dispositions of the insert; these are designated 0, 1, 2, 3, 4 and 5. The polarization availability for each connector is shown on the appropriate connector page.

Housing (shell) materials are aluminium alloy (with fine coupling threads) and brass (with coarse coupling threads.) The standard finish for both materials is drab olive chromate conversion over cadmium plate.

Accessories are available in aluminium alloy and brass. The standard finish for both materials is as for connectors.


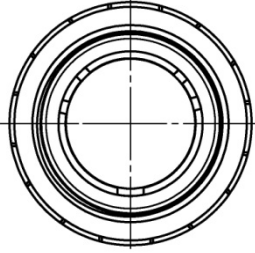
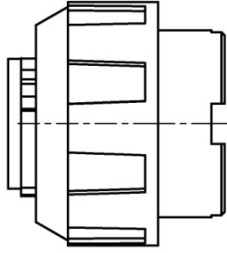

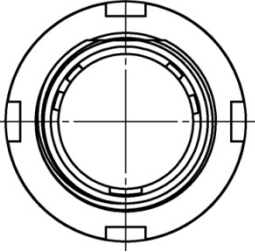
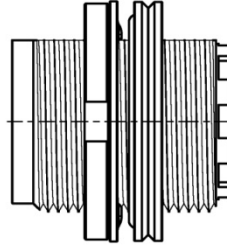

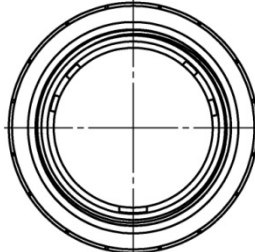
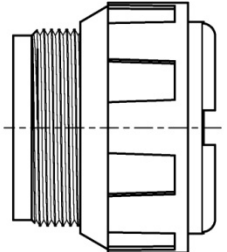
The standard contact finish is silver plate.

LMG Range is manufactured in accordance with BS 9522 F0014.



**LMG RANGE  
SHELL STYLES**


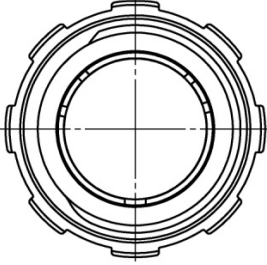
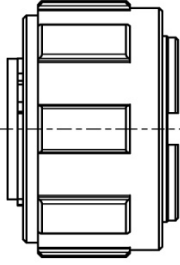

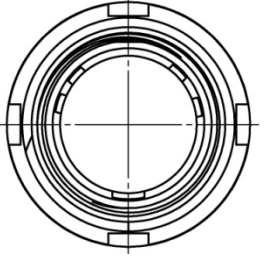
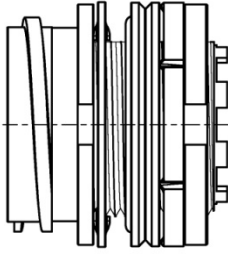
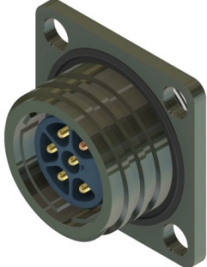
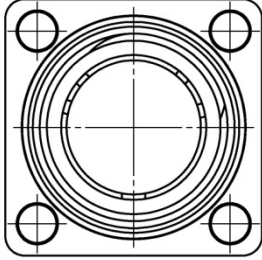
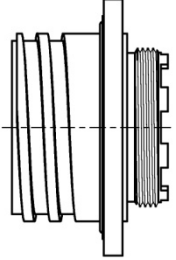

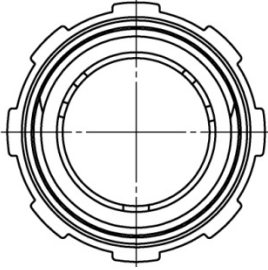
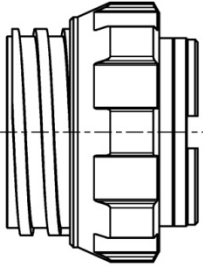
**ALUMINIUM CONNECTORS WITH FINE THREAD**

<p><b>FREE UNIT</b> A free plug or socket is wired to a cable as a means of connecting the cable to mating components. Outlet nuts are supplied with these items.</p>				<p>Mates with: Fixed unit Free coupler</p>
<p><b>FIXED UNIT</b> A fixed plug or socket - for single hole mounting - with no facility for the use of cable fittings. When these are required an outlet nut must be specified as an additional item.</p>				<p>Mates with: Free unit</p>
<p><b>FREE COUPLER UNIT</b> A free coupler plug or socket is used as a means of connecting two free cables and mates with the free plug or socket only. Outlet nuts are supplied with these connectors.</p>				<p>Mates with: Free unit</p>

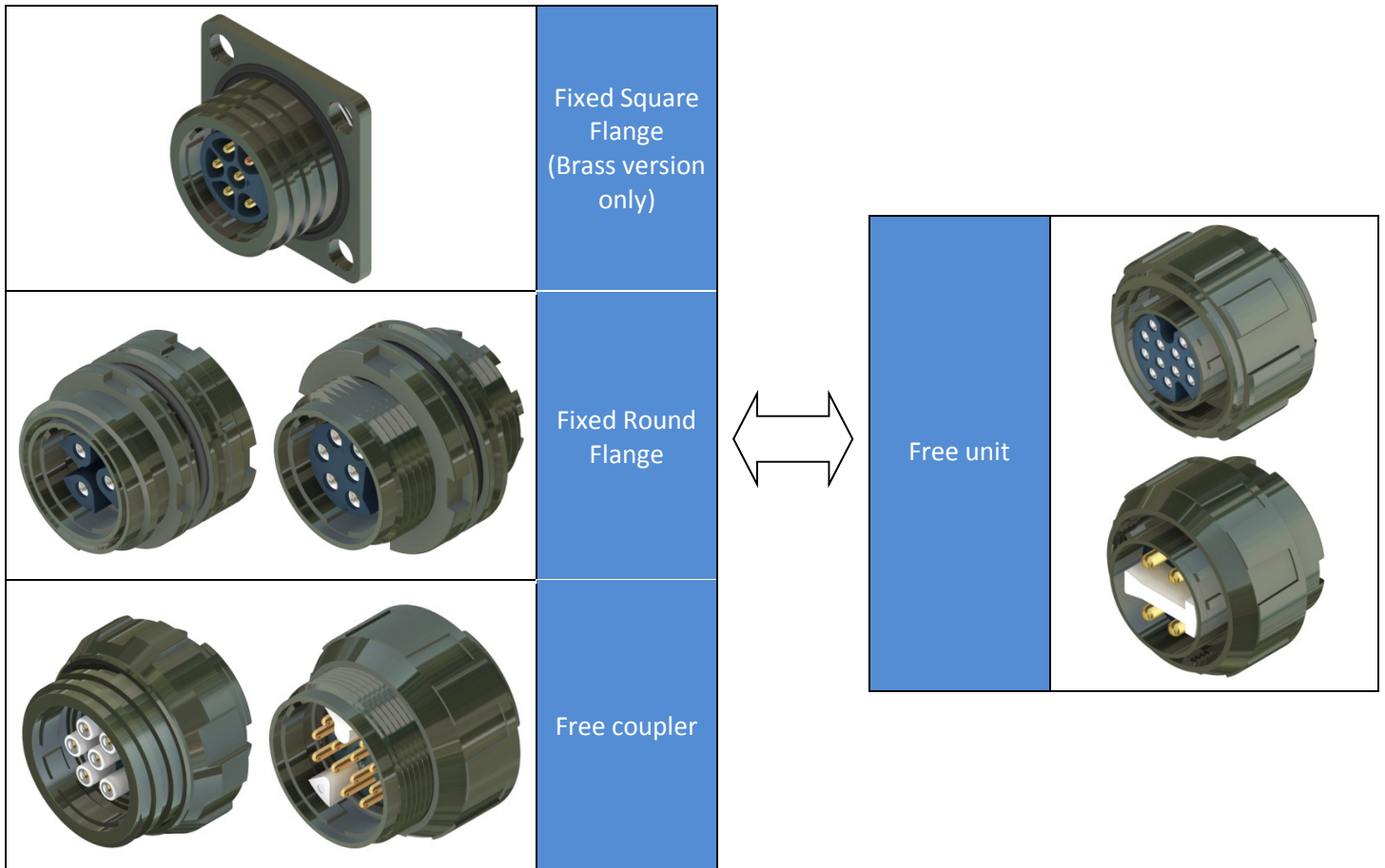


**LMG RANGE  
SHELL STYLES**

**BRASS CONNECTORS WITH COARSE THREAD**

<p><b>FREE UNIT</b> A free plug or socket is wired to a cable as a means of connecting the cable to mating components. Outlet nuts are supplied with these items.</p>				<p>Mates with: Fixed unit Free coupler</p>
<p><b>FIXED UNIT (Round Flange)</b> A fixed plug or socket - for single hole mounting - with no facility for the use of cable fittings. When these are required an outlet nut must be specified as an additional item.</p>				<p>Mates with: Free unit</p>
<p><b>FIXED UNIT (Square Flange)</b> A fixed plug or socket - four corner hole mounting (available only in brass) - with the facility to accept cable fittings. When these are required an outlet nut must be specified as an additional item.</p>				<p>Mates with: Free unit</p>
<p><b>FREE COUPLER UNIT</b> A free coupler plug or socket is used as a means of connecting two free cables and mates with the free plug or socket only. Outlet nuts are supplied with these connectors.</p>				<p>Mates with: Free unit</p>

**LMG RANGE**  
**MATING COMBINATIONS AND ORIENTATION**



All LMG connectors can be supplied with male and female contacts/mouldings and can be mated in combinations as shown above. The complete range of LMG Plugs and Sockets is catalogued on pages 15 to 34, and all units with the same contact arrangement are shown grouped together in order of number of contacts.

The diagram above each group shows the plug pin arrangement, the contact coding and moulding characteristics of the mating face of a plug. All coding of sockets is reversed, i.e. a mirror image of the plug coding

A feature of LMG plugs and sockets is that the internal moulding carrying the contacts may be located in any one of six radial positions relative to the major keyway in the outer shell (see diagrams at the side of each group). This facility eliminates the possibility of mismatching adjacent plugs and sockets of the same contact arrangement. The sixth position is known as 'neutral' (shown in all diagrams as orientation position 0). Unless otherwise stated when ordering, all plugs and sockets will be supplied in the neutral position. Orientated units are identified by replacing the last digit of the part number of the neutral unit with a position number. The last digit for neutral units is always 0. Only orientations of the same suffix number can be mated together.

Attention is drawn to the 3 contact 5 amp range of plugs and sockets in which only positions 0 and 5 are available as orientation variations.

## LMG RANGE CHARACTERISTICS

### ALUMINIUM VERSION (FINE THREAD) CONNECTORS

Temperature range	-55° to +100°C (-55° to +150°C for high temperature version)*						
Maximum altitude	20,117 metres						
Number of Contacts	2, 3, 4, 5, 6, 9, 12, 13, 18, 25						
Maximum current rating per individual contact at 70°C	3-60 amps dependent on contact size						
Contact finish	Silver plated (standard)						
Contact Solder Bucket	Rating	3 amp	5 amp	12 amp	19 amp	35 amp	60 amp
	Inside dia.	1.05 mm	1.50 mm	2.00 mm	2.75 mm	3.70 mm	5.00 mm
Working Voltage: DC or AC (Peak)	500 volts at sea level (normal contacts) 1500 and 2500 volts (high voltage contacts)						
Polarization	By housing (Shell) keys and keyways and by insert orientation						
Dielectric material	Polychloroprene (Fluorosilicone rubber - high temperature version)*						
Dielectric construction	Monobloc						
Sealing	FREE CONNECTORS - Environmentally resistant FIXED CONNECTORS - Barrier and panel sealed. Max leakage 1 cc/hr at pressure differential of 1 Bar						
Housing material	Aluminium Alloy						

### BRASS VERSION (COARSE THREAD) CONNECTORS

Temperature range	-55° to +100°C (-55° to +150°C for high temperature version)*						
Maximum altitude	8474 metres						
Number of Contacts	2, 3, 4, 5, 6, 9, 12, 13, 18, 25, 37						
Maximum current rating per individual contact at 70°C	3-60 amps dependent on contact size						
Contact finish	Silver plated (standard)						
Contact Solder Bucket	Rating	3 amp	5 amp	12 amp	19 amp	35 amp	60 amp
	Inside dia.	1.05 mm	1.50 mm	2.00 mm	2.75 mm	3.70 mm	5.00 mm
Working Voltage: DC or AC (Peak)	500 volts at sea level (normal contacts) 1500 and 2500 volts (high voltage contacts)						
Polarization	By housing (Shell) keys and keyways and by insert orientation						
Dielectric material	Polychloroprene (Fluorosilicone rubber - high temperature version)*						
Dielectric construction	Monobloc						
Sealing	FREE CONNECTORS - Environmentally resistant FIXED CONNECTORS - Barrier and panel sealed. Max leakage 1 cc/hr at pressure differential of 1 Bar						
Housing material	Brass						

\* - High temperature version available to special order. Please contact Sales for more details.

#### APPLICATION – TYPICAL

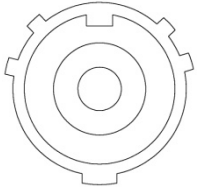
Suitable for cable to panel connections in an exposed environment.  
Aluminium, fine thread is for lightweight use.  
Brass, coarse thread is used for heavy duty and in rugged conditions.

#### SPECIFICATION

LMG connectors (formerly MOD pattern 104) are manufactured in accordance with BS 9522 F0014.



**LMF RANGE  
SHELL SIZE 1  
1 contact 2,5 kV, D.C. or A.C. peak**

PLUG FACE ORIENTATION	0	1	2	3	4	5
LMF RANGE		N/A	N/A	N/A	N/A	N/A

CONNECTOR STYLE	ALUMINIUM	BRASS
	LMF Part No.	LMF Part No.
Free Plug	LMF/1/41221	LMF/1/41252
Free Socket	LMF/1/41225	LMF/1/41255
Fixed Plug (Round Flange)	LMF/1/41218	LMF/1/41250
Fixed Socket (Round Flange)	LMF/1/41222	LMF/1/41253
Fixed Plug (Round Flange with Outlet Nut)	LMF/1/41219	N/A
Fixed Socket (Round Flange With Outlet Nut)	LMF/1/41223	N/A
Fixed Plug (Square Flange)	N/A	LMF/1/41251
Fixed Socket (Square Flange)	N/A	LMF/1/41254
Free Coupler Plug	LMF/1/41220	LMF/1/41260
Free Coupler Socket	LMF/1/41224	LMF/1/41261
Bulkhead Plug/Socket	LMF/1/41226	LMF/1/41256
Bulkhead Socket/Plug	LMF/1/41227	LMF/1/41257

**IMPORTANT  
APPLICABLE TO THIS RANGE ONLY**

Concentric Circular Connectors  
 Impedance: Unmatched coupling of coaxial cables only  
 Dielectric: Polythene  
 Temperature: - 40°C to + 70°C  
 Cables: Will accept Uniradio 39 or 67 and cables of similar size  
 Mating combinations – refer to page 7

**LMF / LMG RANGE  
SHELL SIZE 1  
2 contacts 19 amps**

PLUG FACE ORIENTATION	0	1	2	3	4	5
<b>LMF RANGE</b> 250 volts D.C. or A.C. peak						
<b>LMG RANGE</b> 500 volts D.C. or A.C. peak						

CONNECTOR STYLE	ALUMINIUM		BRASS	
	LMF Part No.	LMG Part No.	LMF Part No.	LMG Part No.
Free Plug	LMF/1/40020/320	LMG/1/07020/220	LMF/1/40220/520	LMG/1/07220/220
Free Socket	LMF/1/40000/320	LMG/1/07000/220	LMF/1/40200/520	LMG/1/07200/220
Fixed Plug (Round Flange)	LMF/1/40060/320	LMG/1/07060/220	LMF/1/40260/520	LMG/1/07340/220
Fixed Socket (Round Flange)	LMF/1/40040/320	LMG/1/07040/220	LMF/1/40240/520	LMG/1/07320/220
Fixed Plug (Round Flange with Outlet Nut)	LMF/1/40140/320	N/A	N/A	N/A
Fixed Socket (Round Flange With Outlet Nut)	LMF/1/40120/320	N/A	N/A	N/A
Fixed Plug (Square Flange)	N/A	N/A	LMF/1/40340/520	LMG/1/07260/220
Fixed Socket (Square Flange)	N/A	N/A	LMF/1/40320/520	LMG/1/07240/220
Free Coupler Plug	LMF/1/40100/320	LMG/1/07100/220	LMF/1/40300/520	LMG/1/07300/220
Free Coupler Socket	LMF/1/40080/320	LMG/1/07080/220	LMF/1/40280/520	LMG/1/07280/220
Bulkhead Plug/Socket	LMF/1/30180/320	N/A	LMF/1/40380/520	N/A
Bulkhead Socket/Plug	LMF/1/40160/320	N/A	LMF/1/40360/520	N/A

**IMPORTANT**

Only shell size 1 codes a & b accessories may be used with these connectors.  
Mating combinations – refer to page 7 (for LMF) or page 12 (for LMG).  
To specify orientation versions replace last digit with digit of relevant position number,  
e.g. LMF/1/40020/325 = ORIENTATION POSITION 5

**LMF / LMG RANGE**  
**SHELL SIZE 2**  
**2 contacts 35 amps**

PLUG FACE ORIENTATION	0	1	2	3	4	5
<b>LMF RANGE</b> 250 volts D.C. or A.C. peak						
<b>LMG RANGE</b> 500 volts D.C. or A.C. peak						

CONNECTOR STYLE	ALUMINIUM		BRASS	
	LMF Part No.	LMG Part No.	LMF Part No.	LMG Part No.
Free Plug	LMF/1/40024/320	LMG/1/07024/220	LMF/1/40224/520	LMG/1/07224/220
Free Socket	LMF/1/40004/320	LMG/1/07004/220	LMF/1/40204/520	LMG/1/07204/220
Fixed Plug (Round Flange)	LMF/1/40064/320	LMG/1/07064/220	LMF/1/40264/520	LMG/1/07344/220
Fixed Socket (Round Flange)	LMF/1/40044/320	LMG/1/07044/220	LMF/1/40244/520	LMG/1/07324/220
Fixed Plug (Round Flange with Outlet Nut)	LMF/1/40144/320	N/A	N/A	N/A
Fixed Socket (Round Flange With Outlet Nut)	LMF/1/40124/320	N/A	N/A	N/A
Fixed Plug (Square Flange)	N/A	N/A	LMF/1/40344/520	LMG/1/07264/220
Fixed Socket (Square Flange)	N/A	N/A	LMF/1/40324/520	LMG/1/07244/220
Free Coupler Plug	LMF/1/40104/320	LMG/1/07104/220	LMF/1/40304/520	LMG/1/07304/220
Free Coupler Socket	LMF/1/40084/320	LMG/1/07084/220	LMF/1/40284/520	LMG/1/07284/220
Bulkhead Plug/Socket	N/A	N/A	N/A	N/A
Bulkhead Socket/Plug	N/A	N/A	N/A	N/A

**IMPORTANT**

Only shell size 2 codes c, d, e & f accessories may be used with these connectors.  
Mating combinations – refer to page 7 (for LMF) or page 12 (for LMG).  
To specify orientations versions replace last digit with digit of relevant position number,  
e.g. LMF/1/40024/325 = ORIENTATION POSITION 5



**LMF / LMG RANGE**  
**SHELL SIZE 1**  
**3 contacts 5 amps**

PLUG FACE ORIENTATION	0	1	2	3	4	5
<b>LMF RANGE</b> 250 volts D.C. or A.C. peak		N/A	N/A	N/A	N/A	
<b>LMG RANGE</b> 500 volts D.C. or A.C. peak		N/A	N/A	N/A	N/A	

CONNECTOR STYLE	ALUMINIUM		BRASS	
	LMF Part No.	LMG Part No.	LMF Part No.	LMG Part No.
Free Plug	LMF/1/40021/320	LMG/1/07021/220	LMF/1/40221/520	LMG/1/07221/220
Free Socket	LMF/1/40001/320	LMG/1/07001/220	LMF/1/40201/520	LMG/1/07201/220
Fixed Plug (Round Flange)	LMF/1/40061/320	LMG/1/07061/220	LMF/1/40261/520	LMG/1/07341/220
Fixed Socket (Round Flange)	LMF/1/40041/320	LMG/1/07041/220	LMF/1/40241/520	LMG/1/07321/220
Fixed Plug (Round Flange with Outlet Nut)	LMF/1/40141/320	N/A	N/A	N/A
Fixed Socket (Round Flange With Outlet Nut)	LMF/1/40121/320	N/A	N/A	N/A
Fixed Plug (Square Flange)	N/A	N/A	LMF/1/40341/520	LMG/1/07261/220
Fixed Socket (Square Flange)	N/A	N/A	LMF/1/40321/520	LMG/1/07241/220
Free Coupler Plug	LMF/1/40101/320	LMG/1/07101/220	LMF/1/40301/520	LMG/1/07301/220
Free Coupler Socket	LMF/1/40081/320	LMG/1/07081/220	LMF/1/40281/520	LMG/1/07281/220
Bulkhead Plug/Socket	LMF/1/40181/320	N/A	LMF/1/40381/520	N/A
Bulkhead Socket/Plug	LMF/1/40161/320	N/A	LMF/1/40361/520	N/A

**IMPORTANT**

Only shell size 1 codes a & b Accessories may be used with these connectors.  
Mating combinations – refer to page 7 (for LMF) or page 12 (for LMG).  
To specify orientation versions replace last digit with digit of relevant position number,  
e.g. LMF/1/40021/325 = ORIENTATION POSITION 5

**LMF / LMG RANGE**  
**SHELL SIZE 2**  
**3 contacts 19 amps**

PLUG FACE ORIENTATION	0	1	2	3	4	5
<b>LMF RANGE</b> 1.5 kV D.C. or A.C. peak						
<b>LMG RANGE</b> 1.5 kV D.C. or A.C. peak						

CONNECTOR STYLE	ALUMINIUM		BRASS	
	LMF Part No.	LMG Part No.	LMF Part No.	LMG Part No.
Free Plug	LMF/1/40025/320	LMG/1/07025/220	LMF/1/40225/520	LMG/1/07225/220
Free Socket	LMF/1/40005/320	LMG/1/07005/220	LMF/1/40205/520	LMG/1/07205/220
Fixed Plug (Round Flange)	LMF/1/40065/320	LMG/1/07065/220	LMF/1/40265/520	LMG/1/07345/220
Fixed Socket (Round Flange)	LMF/1/40045/320	LMG/1/07045/220	LMF/1/40245/520	LMG/1/07325/220
Fixed Plug (Round Flange with Outlet Nut)	LMF/1/40145/320	N/A	N/A	N/A
Fixed Socket (Round Flange With Outlet Nut)	LMF/1/40125/320	N/A	N/A	N/A
Fixed Plug (Square Flange)	N/A	N/A	LMF/1/40345/520	LMG/1/07265/220
Fixed Socket (Square Flange)	N/A	N/A	LMF/1/40325/520	LMG/1/07245/220
Free Coupler Plug	LMF/1/40105/320	LMG/1/07105/220	LMF/1/40305/520	LMG/1/07305/220
Free Coupler Socket	LMF/1/40085/320	LMG/1/07085/220	LMF/1/40285/520	LMG/1/07285/220
Bulkhead Plug/Socket	N/A	N/A	N/A	N/A
Bulkhead Socket/Plug	N/A	N/A	N/A	N/A

**IMPORTANT**

Only shell size 2 codes c, d, e & f accessories may be used with these connectors.  
Mating combinations – refer to page 7 (for LMF) or page 12 (for LMG).  
To specify orientation versions replace last digit with digit of relevant position number,  
e.g. LMF/1/40025/325 = ORIENTATION POSITION 5

**LMF / LMG RANGE**  
**SHELL SIZE 1**  
**4 contacts 5 amps**

PLUG FACE ORIENTATION	0	1	2	3	4	5
<b>LMF RANGE</b> 250 volts D.C. or A.C. peak						
<b>LMG RANGE</b> 500 volts D.C. or A.C. peak						

CONNECTOR STYLE	ALUMINIUM		BRASS	
	LMF Part No.	LMG Part No.	LMF Part No.	LMG Part No.
Free Plug	LMF/1/40022/320	LMG/1/07022/220	LMF/1/40222/520	LMG/1/07222/220
Free Socket	LMF/1/40002/320	LMG/1/07002/220	LMF/1/40202/520	LMG/1/07202/220
Fixed Plug (Round Flange)	LMF/1/40062/320	LMG/1/07062/220	LMF/1/40262/520	LMG/1/07342/220
Fixed Socket (Round Flange)	LMF/1/40042/320	LMG/1/07042/220	LMF/1/40242/520	LMG/1/07322/220
Fixed Plug (Round Flange with Outlet Nut)	LMF/1/40142/320	N/A	N/A	N/A
Fixed Socket (Round Flange With Outlet Nut)	LMF/1/40122/320	N/A	N/A	N/A
Fixed Plug (Square Flange)	N/A	N/A	LMF/1/40342/520	LMG/1/07262/220
Fixed Socket (Square Flange)	N/A	N/A	LMF/1/40322/520	LMG/1/07242/220
Free Coupler Plug	LMF/1/40102/320	LMG/1/07102/220	LMF/1/40302/520	LMG/1/07302/220
Free Coupler Socket	LMF/1/40082/320	LMG/1/07082/220	LMF/1/40282/520	LMG/1/07282/220
Bulkhead Plug/Socket	LMF/1/40182/320	N/A	LMF/1/40382/520	N/A
Bulkhead Socket/Plug	LMF/1/40162/320	N/A	LMF/1/40362/520	N/A

**IMPORTANT**

Only shell size 1 codes a & b Accessories may be used with these connectors.  
Mating combinations – refer to page 7 (for LMF) or page 12 (for LMG).  
To specify orientation versions replace last digit with digit of relevant position number,  
e.g. LMF/1/40022/325 = ORIENTATION POSITION 5

**LMF / LMG RANGE**  
**SHELL SIZE 2**  
**4 contacts 19 amps**

PLUG FACE ORIENTATION	0	1	2	3	4	5
<b>LMF RANGE</b> 250 volts D.C. or A.C. peak						
<b>LMG RANGE</b> 500 volts D.C. or A.C. peak						

CONNECTOR STYLE	ALUMINIUM		BRASS	
	LMF Part No.	LMG Part No.	LMF Part No.	LMG Part No.
Free Plug	LMF/1/40026/320	LMG/1/07026/220	LMF/1/40226/520	LMG/1/07226/220
Free Socket	LMF/1/40006/320	LMG/1/07006/220	LMF/1/40206/520	LMG/1/07206/220
Fixed Plug (Round Flange)	LMF/1/40066/320	LMG/1/07066/220	LMF/1/40266/520	LMG/1/07346/220
Fixed Socket (Round Flange)	LMF/1/40046/320	LMG/1/07046/220	LMF/1/40246/520	LMG/1/07326/220
Fixed Plug (Round Flange with Outlet Nut)	LMF/1/40146/320	N/A	N/A	N/A
Fixed Socket (Round Flange With Outlet Nut)	LMF/1/40126/320	N/A	N/A	N/A
Fixed Plug (Square Flange)	N/A	N/A	LMF/1/40346/520	LMG/1/07266/220
Fixed Socket (Square Flange)	N/A	N/A	LMF/1/40326/520	LMG/1/07246/220
Free Coupler Plug	LMF/1/40106/320	LMG/1/07106/220	LMF/1/40306/520	LMG/1/07306/220
Free Coupler Socket	LMF/1/40086/320	LMG/1/07086/220	LMF/1/40286/520	LMG/1/07286/220
Bulkhead Plug/Socket	LMF/1/40186/320	N/A	LMF/1/40386/520	N/A
Bulkhead Socket/Plug	LMF/1/40166/320	N/A	LMF/1/40366/520	N/A

**IMPORTANT**

Only shell size 2 codes c, d, e & f accessories may be used with these connectors.  
Mating combinations – refer to page 7 (for LMF) or page 12 (for LMG).  
To specify orientation versions replace last digit with digit of relevant position number,  
e.g. LMF/1/40026/325 = ORIENTATION POSITION 5



**LMF / LMG RANGE**  
**SHELL SIZE 3**  
**4 contacts**  
**3 contacts 60 amps, 1 contact 19 amps**

PLUG FACE ORIENTATION	0	1	2	3	4	5
<b>LMF RANGE</b> 250 volts D.C. or A.C. peak						
<b>LMG RANGE</b> 500 volts D.C. or A.C. peak						

CONNECTOR STYLE	ALUMINIUM		BRASS	
	LMF Part No.	LMG Part No.	LMF Part No.	LMG Part No.
Free Plug	LMF/1/40030/320	LMG/1/07030/220	LMF/1/40230/520	LMG/1/07230/220
Free Socket	LMF/1/40010/320	LMG/1/07010/220	LMF/1/40210/520	LMG/1/07210/220
Fixed Plug (Round Flange)	LMF/1/40070/320	LMG/1/07070/220	LMF/1/40270/520	LMG/1/07350/220
Fixed Socket (Round Flange)	LMF/1/40050/320	LMG/1/07050/220	LMF/1/40250/520	LMG/1/07330/220
Fixed Plug (Round Flange with Outlet Nut)	LMF/1/40150/320	N/A	N/A	N/A
Fixed Socket (Round Flange With Outlet Nut)	LMF/1/40130/320	N/A	N/A	N/A
Fixed Plug (Square Flange)	N/A	N/A	LMF/1/40350/520	LMG/1/07270/220
Fixed Socket (Square Flange)	N/A	N/A	LMF/1/40330/520	LMG/1/07250/220
Free Coupler Plug	LMF/1/40110/320	LMG/1/07110/220	LMF/1/40310/520	LMG/1/07310/220
Free Coupler Socket	LMF/1/40090/320	LMG/1/07090/220	LMF/1/40290/520	LMG/1/07290/220
Bulkhead Plug/Socket	N/A	N/A	N/A	N/A
Bulkhead Socket/Plug	N/A	N/A	N/A	N/A

**IMPORTANT**

Only shell size 3 codes g, h & i accessories may be used with these connectors.  
Mating combinations – refer to page 7 (for LMF) or page 12 (for LMG).  
To specify orientation versions replace last digit with digit of relevant position number,  
e.g. LMF/1/40030/325 = ORIENTATION POSITION 5

**LMF / LMG RANGE**  
**SHELL SIZE 3**  
**5 contacts**  
**2 contacts 60 amps, 3 contact 19 amps**

PLUG FACE ORIENTATION	0	1	2	3	4	5
<b>LMF RANGE</b> 250 volts D.C. or A.C. peak						
<b>LMG RANGE</b> 500 volts D.C. or A.C. peak						

CONNECTOR STYLE	ALUMINIUM		BRASS	
	LMF Part No.	LMG Part No.	LMF Part No.	LMG Part No.
Free Plug	LMF/1/40031/320	LMG/1/07031/220	LMF/1/40231/520	LMG/1/07231/220
Free Socket	LMF/1/40011/320	LMG/1/07011/220	LMF/1/40211/520	LMG/1/07211/220
Fixed Plug (Round Flange)	LMF/1/40071/320	LMG/1/07071/220	LMF/1/40271/520	LMG/1/07351/220
Fixed Socket (Round Flange)	LMF/1/40051/320	LMG/1/07051/220	LMF/1/40251/520	LMG/1/07331/220
Fixed Plug (Round Flange with Outlet Nut)	LMF/1/40151/320	N/A	N/A	N/A
Fixed Socket (Round Flange With Outlet Nut)	LMF/1/40131/320	N/A	N/A	N/A
Fixed Plug (Square Flange)	N/A	N/A	LMF/1/40351/520	LMG/1/07271/220
Fixed Socket (Square Flange)	N/A	N/A	LMF/1/40331/520	LMG/1/07251/220
Free Coupler Plug	LMF/1/40111/320	LMG/1/07111/220	LMF/1/40311/520	LMG/1/07311/220
Free Coupler Socket	LMF/1/40091/320	LMG/1/07091/220	LMF/1/40291/520	LMG/1/07291/220
Bulkhead Plug/Socket	N/A	N/A	N/A	N/A
Bulkhead Socket/Plug	N/A	N/A	N/A	N/A

**IMPORTANT**

Only shell size 3 codes g, h & i accessories may be used with these connectors.  
Mating combinations – refer to page 7 (for LMF) or page 12 (for LMG).  
To specify orientation versions replace last digit with digit of relevant position number,  
e.g. LMF/1/40031/325 = ORIENTATION POSITION 5

## LMF / LMG RANGE SHELL SIZE 1 6 contacts 5 amps

PLUG FACE ORIENTATION	0	1	2	3	4	5
<b>LMF RANGE</b> 250 volts D.C. or A.C. peak						
<b>LMG RANGE</b> 500 volts D.C. or A.C. peak						

CONNECTOR STYLE	ALUMINIUM		BRASS	
	LMF Part No.	LMG Part No.	LMF Part No.	LMG Part No.
Free Plug	LMF/1/40023/320	LMG/1/07023/220	LMF/1/40223/520	LMG/1/07223/220
Free Socket	LMF/1/40003/320	LMG/1/07003/220	LMF/1/40203/520	LMG/1/07203/220
Fixed Plug (Round Flange)	LMF/1/40063/320	LMG/1/07063/220	LMF/1/40263/520	LMG/1/07343/220
Fixed Socket (Round Flange)	LMF/1/40043/320	LMG/1/07043/220	LMF/1/40243/520	LMG/1/07323/220
Fixed Plug (Round Flange with Outlet Nut)	LMF/1/40143/320	N/A	N/A	N/A
Fixed Socket (Round Flange With Outlet Nut)	LMF/1/40123/320	N/A	N/A	N/A
Fixed Plug (Square Flange)	N/A	N/A	LMF/1/40343/520	LMG/1/07263/220
Fixed Socket (Square Flange)	N/A	N/A	LMF/1/40323/520	LMG/1/07243/220
Free Coupler Plug	LMF/1/40103/320	LMG/1/07103/220	LMF/1/40303/520	LMG/1/07303/220
Free Coupler Socket	LMF/1/40083/320	LMG/1/07083/220	LMF/1/40283/520	LMG/1/07283/220
Bulkhead Plug/Socket	LMF/1/40183/320	N/A	LMF/1/40383/520	N/A
Bulkhead Socket/Plug	LMF/1/40163/320	N/A	LMF/1/40363/520	N/A

### IMPORTANT

Only shell size 1 codes a & b Accessories may be used with these connectors.  
Mating combinations – refer to page 7 (for LMF) or page 12 (for LMG).  
To specify orientation versions replace last digit with digit of relevant position number,  
e.g. LMF/1/40023/325 = ORIENTATION POSITION 5

**LMF / LMG RANGE**  
**SHELL SIZE 2**  
**6 contacts 5 amps**

PLUG FACE ORIENTATION	0	1	2	3	4	5
<b>LMF RANGE</b> 500 volts D.C. or A.C. peak						
<b>LMG RANGE</b> 500 volts D.C. or A.C. peak						

CONNECTOR STYLE	ALUMINIUM		BRASS	
	LMF Part No.	LMG Part No.	LMF Part No.	LMG Part No.
Free Plug	LMF/1/40027/320	LMG/1/07027/220	LMF/1/40227/520	LMG/1/07227/220
Free Socket	LMF/1/40007/320	LMG/1/07007/220	LMF/1/40207/520	LMG/1/07207/220
Fixed Plug (Round Flange)	LMF/1/40067/320	LMG/1/07067/220	LMF/1/40267/520	LMG/1/07347/220
Fixed Socket (Round Flange)	LMF/1/40047/320	LMG/1/07047/220	LMF/1/40247/520	LMG/1/07327/220
Fixed Plug (Round Flange with Outlet Nut)	LMF/1/40147/320	N/A	N/A	N/A
Fixed Socket (Round Flange With Outlet Nut)	LMF/1/40127/320	N/A	N/A	N/A
Fixed Plug (Square Flange)	N/A	N/A	LMF/1/40347/520	LMG/1/07267/220
Fixed Socket (Square Flange)	N/A	N/A	LMF/1/40327/520	LMG/1/07247/220
Free Coupler Plug	LMF/1/40107/320	LMG/1/07107/220	LMF/1/40307/520	LMG/1/07307/220
Free Coupler Socket	LMF/1/40087/320	LMG/1/07087/220	LMF/1/40287/520	LMG/1/07287/220
Bulkhead Plug/Socket	LMF/1/40187/320	N/A	LMF/1/40387/520	N/A
Bulkhead Socket/Plug	LMF/1/40167/320	N/A	LMF/1/40367/520	N/A

**IMPORTANT**

Only shell size 2 codes c, d, e & f accessories may be used with these connectors.  
Mating combinations – refer to page 7 (for LMF) or page 12 (for LMG).  
To specify orientation versions replace last digit with digit of relevant position number,  
e.g. LMF/1/40027/325 = ORIENTATION POSITION 5



**LMF / LMG RANGE**  
**SHELL SIZE 2**  
**6 contacts 5 amps**

PLUG FACE ORIENTATION	0	1	2	3	4	5
<b>LMF RANGE</b> 1.5 kV D.C. or A.C. peak						
<b>LMG RANGE</b> 1.5 kV D.C. or A.C. peak						

CONNECTOR STYLE	ALUMINIUM		BRASS	
	LMF Part No.	LMG Part No.	LMF Part No.	LMG Part No.
Free Plug	LMF/1/40028/320	LMG/1/07028/220	LMF/1/40228/520	LMG/1/07228/220
Free Socket	LMF/1/40008/320	LMG/1/07008/220	LMF/1/40208/520	LMG/1/07208/220
Fixed Plug (Round Flange)	LMF/1/40068/320	LMG/1/07068/220	LMF/1/40268/520	LMG/1/07348/220
Fixed Socket (Round Flange)	LMF/1/40048/320	LMG/1/07048/220	LMF/1/40248/520	LMG/1/07328/220
Fixed Plug (Round Flange with Outlet Nut)	LMF/1/40148/320	N/A	N/A	N/A
Fixed Socket (Round Flange With Outlet Nut)	LMF/1/40128/320	N/A	N/A	N/A
Fixed Plug (Square Flange)	N/A	N/A	LMF/1/40348/520	LMG/1/07268/220
Fixed Socket (Square Flange)	N/A	N/A	LMF/1/40328/520	LMG/1/07248/220
Free Coupler Plug	LMF/1/40108/320	LMG/1/07108/220	LMF/1/40308/520	LMG/1/07308/220
Free Coupler Socket	LMF/1/40088/320	LMG/1/07088/220	LMF/1/40288/520	LMG/1/07288/220
Bulkhead Plug/Socket	LMF/1/40188/320	N/A	LMF/1/40388/520	N/A
Bulkhead Socket/Plug	LMF/1/40168/320	N/A	LMF/1/40368/520	N/A

**IMPORTANT**

Only shell size 2 codes c, d, e & f accessories may be used with these connectors.  
Mating combinations – refer to page 7 (for LMF) or page 12 (for LMG).  
To specify orientation versions replace last digit with digit of relevant position number,  
e.g. LMF/1/40028/325 = ORIENTATION POSITION 5

**LMF / LMG RANGE**  
**SHELL SIZE 3**  
**6 contacts 19 amps**

PLUG FACE ORIENTATION	0	1	2	3	4	5
<b>LMF RANGE</b> 2.5 kV D.C. or A.C. peak						
<b>LMG RANGE</b> 2.5 kV D.C. or A.C. peak						

CONNECTOR STYLE	ALUMINIUM		BRASS	
	LMF Part No.	LMG Part No.	LMF Part No.	LMG Part No.
Free Plug	LMF/1/40032/320	LMG/1/07032/220	LMF/1/40232/520	LMG/1/07232/220
Free Socket	LMF/1/40012/320	LMG/1/07012/220	LMF/1/40212/520	LMG/1/07212/220
Fixed Plug (Round Flange)	LMF/1/40072/320	LMG/1/07072/220	LMF/1/40272/520	LMG/1/07352/220
Fixed Socket (Round Flange)	LMF/1/40052/320	LMG/1/07052/220	LMF/1/40252/520	LMG/1/07332/220
Fixed Plug (Round Flange with Outlet Nut)	LMF/1/40152/320	N/A	N/A	N/A
Fixed Socket (Round Flange With Outlet Nut)	LMF/1/40132/320	N/A	N/A	N/A
Fixed Plug (Square Flange)	N/A	N/A	LMF/1/40352/520	LMG/1/07272/220
Fixed Socket (Square Flange)	N/A	N/A	LMF/1/40332/520	LMG/1/07252/220
Free Coupler Plug	LMF/1/40112/320	LMG/1/07112/220	LMF/1/40312/520	LMG/1/07312/220
Free Coupler Socket	LMF/1/40092/320	LMG/1/07092/220	LMF/1/40292/520	LMG/1/07292/220
Bulkhead Plug/Socket	LMF/1/40192/320	N/A	LMF/1/40392/520	N/A
Bulkhead Socket/Plug	LMF/1/40172/320	N/A	LMF/1/40372/520	N/A

**IMPORTANT**

Only shell size 3 codes g, h & i accessories may be used with these connectors.  
Mating combinations – refer to page 7 (for LMF) or page 12 (for LMG).  
To specify orientation versions replace last digit with digit of relevant position number,  
e.g. LMF/1/40032/325 = ORIENTATION POSITION 5

**LMF / LMG RANGE  
SHELL SIZE 3  
9 contact 19 amps**

PLUG FACE ORIENTATION	0	1	2	3	4	5
<b>LMF RANGE 250 volts D.C. or A.C. peak</b>						
<b>LMG RANGE 500 volts D.C. or A.C. peak</b>						

CONNECTOR STYLE	ALUMINIUM		BRASS	
	LMF Part No.	LMG Part No.	LMF Part No.	LMG Part No.
Free Plug	LMF/1/40033/320	LMG/1/07033/220	LMF/1/40233/520	LMG/1/07233/220
Free Socket	LMF/1/40013/320	LMG/1/07013/220	LMF/1/40213/520	LMG/1/07213/220
Fixed Plug (Round Flange)	LMF/1/40073/320	LMG/1/07073/220	LMF/1/40273/520	LMG/1/07353/220
Fixed Socket (Round Flange)	LMF/1/40053/320	LMG/1/07053/220	LMF/1/40253/520	LMG/1/07333/220
Fixed Plug (Round Flange with Outlet Nut)	LMF/1/40153/320	N/A	N/A	N/A
Fixed Socket (Round Flange With Outlet Nut)	LMF/1/40133/320	N/A	N/A	N/A
Fixed Plug (Square Flange)	N/A	N/A	LMF/1/40353/520	LMG/1/07273/220
Fixed Socket (Square Flange)	N/A	N/A	LMF/1/40333/520	LMG/1/07253/220
Free Coupler Plug	LMF/1/40113/320	LMG/1/07113/220	LMF/1/40313/520	LMG/1/07313/220
Free Coupler Socket	LMF/1/40093/320	LMG/1/07093/220	LMF/1/40293/520	LMG/1/07293/220
Bulkhead Plug/Socket	N/A	N/A	N/A	N/A
Bulkhead Socket/Plug	N/A	N/A	N/A	N/A

**IMPORTANT**

Only shell size 3 codes g, h & i accessories may be used with these connectors.  
Mating combinations – refer to page 7 (for LMF) or page 12 (for LMG).  
To specify orientation versions replace last digit with digit of relevant position number,  
e.g. LMF/1/40033/325 = ORIENTATION POSITION 5

## LMG RANGE SHELL SIZE 1

12 contacts 3 amp 500 volts D.C. or A.C. peak  
 Note "Plugs" have 7 male contacts, 5 female contacts  
 "Sockets" have 7 female contacts, 5 male contacts

PLUG FACE ORIENTATION	0	1	2	3	4	5
LMG RANGE						

CONNECTOR STYLE	ALUMINIUM	BRASS
	LMG Part No.	LMG Part No.
Free Plug	LMG/1/18448/220	LMG/1/18508/220
Free Socket	LMG/1/18458/220	LMG/1/18518/220
Fixed Plug (Round Flange)	LMG/1/18468/220	LMG/1/18528/220
Fixed Socket (Round Flange)	LMG/1/18478/220	LMG/1/18538/220
Fixed Plug (Square Flange)	N/A	LMG/1/18548/220
Fixed Socket (Square Flange)	N/A	LMG/1/18558/220
Free Coupler Plug	LMG/1/18488/220	LMG/1/18568/220
Free Coupler Socket	LMG/1/18498/220	LMG/1/18578/220

### IMPORTANT

Only shell size 1 codes a & b Accessories may be used with these connectors.  
 Mating combinations – refer to page 12.  
 To specify orientation versions replace last digit with digit of relevant position number,  
 e.g. LMG/118448/225 = ORIENTATION POSITION 5



## LMF / LMG RANGE SHELL SIZE 2 12 contacts 5 amps

PLUG FACE ORIENTATION	0	1	2	3	4	5
<b>LMF RANGE</b> 250 volts D.C. or A.C. peak						
<b>LMG RANGE</b> 500 volts D.C. or A.C. peak						

CONNECTOR STYLE	ALUMINIUM		BRASS	
	LMF Part No.	LMG Part No.	LMF Part No.	LMG Part No.
Free Plug	LMF/1/40029/320	LMG/1/07029/220	LMF/1/40229/520	LMG/1/07229/220
Free Socket	LMF/1/40009/320	LMG/1/07009/220	LMF/1/40209/520	LMG/1/07209/220
Fixed Plug (Round Flange)	LMF/1/40069/320	LMG/1/07069/220	LMF/1/40269/520	LMG/1/07349/220
Fixed Socket (Round Flange)	LMF/1/40049/320	LMG/1/07049/220	LMF/1/40249/520	LMG/1/07329/220
Fixed Plug (Round Flange with Outlet Nut)	LMF/1/40149/320	N/A	N/A	N/A
Fixed Socket (Round Flange With Outlet Nut)	LMF/1/40129/320	N/A	N/A	N/A
Fixed Plug (Square Flange)	N/A	N/A	LMF/1/40349/520	LMG/1/07269/220
Fixed Socket (Square Flange)	N/A	N/A	LMF/1/40329/520	LMG/1/07249/220
Free Coupler Plug	LMF/1/40109/320	LMG/1/07109/220	LMF/1/40309/520	LMG/1/07309/220
Free Coupler Socket	LMF/1/40089/320	LMG/1/07089/220	LMF/1/40289/520	LMG/1/07289/220
Bulkhead Plug/Socket	LMF/1/40189/320	N/A	LMF/1/40389/520	N/A
Bulkhead Socket/Plug	LMF/1/40169/320	N/A	LMF/1/40369/520	N/A

### IMPORTANT

Only shell size 2 codes c, d, e & f accessories may be used with these connectors.  
Mating combinations – refer to page 7 (for LMF) or page 12 (for LMG).  
To specify orientation versions replace last digit with digit of relevant position number,  
e.g. LMF/1/40029/325 = ORIENTATION POSITION 5

## LMF / LMG RANGE SHELL SIZE 3 13 contacts 12 amps

PLUG FACE ORIENTATION	0	1	2	3	4	5
<b>LMF RANGE</b> 250 volts D.C. or A.C. peak						
<b>LMG RANGE</b> 500 volts D.C. or A.C. peak						

CONNECTOR STYLE	ALUMINIUM		BRASS	
	LMF Part No.	LMG Part No.	LMF Part No.	LMG Part No.
Free Plug	LMF/1/40434/320	LMG/1/07034/220	LMF/1/40634/520	LMG/1/07234/220
Free Socket	LMF/1/40414/320	LMG/1/07014/220	LMF/1/40614/520	LMG/1/07214/220
Fixed Plug (Round Flange)	LMF/1/40474/320	LMG/1/07074/220	LMF/1/40674/520	LMG/1/07354/220
Fixed Socket (Round Flange)	LMF/1/40454/320	LMG/1/07054/220	LMF/1/40654/520	LMG/1/07334/220
Fixed Plug (Round Flange with Outlet Nut)	LMF/1/40554/320	N/A	N/A	N/A
Fixed Socket (Round Flange With Outlet Nut)	LMF/1/40534/320	N/A	N/A	N/A
Fixed Plug (Square Flange)	N/A	N/A	LMF/1/40754/520	LMG/1/07274/220
Fixed Socket (Square Flange)	N/A	N/A	LMF/1/40734/520	LMG/1/07254/220
Free Coupler Plug	LMF/1/40514/320	LMG/1/07114/220	LMF/1/40714/520	LMG/1/07314/220
Free Coupler Socket	LMF/1/40494/320	LMG/1/07094/220	LMF/1/40694/520	LMG/1/07294/220
Bulkhead Plug/Socket	N/A	N/A	N/A	N/A
Bulkhead Socket/Plug	N/A	N/A	N/A	N/A

### IMPORTANT

Only shell size 3 codes g, h & i accessories may be used with these connectors.  
Mating combinations – refer to page 7 (for LMF) or page 12 (for LMG).  
To specify orientation versions replace last digit with digit of relevant position number,  
e.g. LMF/1/40034/325 = ORIENTATION POSITION 5

**LMF / LMG RANGE**

**SHELL SIZE 3**

**18 contacts - SPECIAL**

**Contacts A, B, C 1.5 Kv D.C. or A.C. peak**

**Contacts D to P 250 volts (LMF) or 500 volts (LMG) D.C. or A.C. peak**

**Contacts Q, R, S 250 volts (LMF) or 500 volts (LMG) D.C. or A.C. peak  
between contacts and 1.5kV D.C. or A.C. peak contacts to shell**

PLUG FACE ORIENTATION	0	1	2	3	4	5
<b>LMF RANGE 250 volts D.C. or A.C. peak</b>						
<b>LMG RANGE 500 volts D.C. or A.C. peak</b>						

CONNECTOR STYLE	ALUMINIUM		BRASS	
	LMF Part No.	LMG Part No.	LMF Part No.	LMG Part No.
Free Plug	LMF/1/40035/320	LMG/1/07035/220	LMF/1/40235/520	LMG/1/07235/220
Free Socket	LMF/1/40015/320	LMG/1/07015/220	LMF/1/40215/520	LMG/1/07215/220
Fixed Plug (Round Flange)	LMF/1/40075/320	LMG/1/07075/220	LMF/1/40275/520	LMG/1/07355/220
Fixed Socket (Round Flange)	LMF/1/40055/320	LMG/1/07055/220	LMF/1/40255/520	LMG/1/07335/220
Fixed Plug (Round Flange with Outlet Nut)	LMF/1/40155/320	N/A	N/A	N/A
Fixed Socket (Round Flange With Outlet Nut)	LMF/1/40135/320	N/A	N/A	N/A
Fixed Plug (Square Flange)	N/A	N/A	LMF/1/40355/520	LMG/1/07275/220
Fixed Socket (Square Flange)	N/A	N/A	LMF/1/40335/520	LMG/1/07255/220
Free Coupler Plug	LMF/1/40115/320	LMG/1/07115/220	LMF/1/40315/520	LMG/1/07315/220
Free Coupler Socket	LMF/1/40095/320	LMG/1/07095/220	LMF/1/40295/520	LMG/1/07295/220
Bulkhead Plug/Socket	LMF/1/40195/320	N/A	LMF/1/40395/520	N/A
Bulkhead Socket/Plug	LMF/1/40175/320	N/A	LMF/1/40375/520	N/A

**IMPORTANT**

Only shell size 3 codes g, h & i accessories may be used with these connectors.  
Mating combinations – refer to page 7 (for LMF) or page 12 (for LMG).  
To specify orientation versions replace last digit with digit of relevant position number,  
e.g. LMF/1/40035/325 = ORIENTATION POSITION 5

**LMF / LMG RANGE  
SHELL SIZE 3  
25 contacts 5 amps**

PLUG FACE ORIENTATION	0	1	2	3	4	5
<b>LMF RANGE 250 volts D.C. or A.C. peak</b>						
<b>LMG RANGE 500 volts D.C. or A.C. peak</b>						

CONNECTOR STYLE	ALUMINIUM		BRASS	
	LMF Part No.	LMG Part No.	LMF Part No.	LMG Part No.
Free Plug	LMF/1/40036/320	LMG/1/07036/220	LMF/1/40236/520	LMG/1/07236/220
Free Socket	LMF/1/40016/320	LMG/1/07016/220	LMF/1/40216/520	LMG/1/07216/220
Fixed Plug (Round Flange)	LMF/1/40076/320	LMG/1/07076/220	LMF/1/40276/520	LMG/1/07356/220
Fixed Socket (Round Flange)	LMF/1/40056/320	LMG/1/07056/220	LMF/1/40256/520	LMG/1/07336/220
Fixed Plug (Round Flange with Outlet Nut)	LMF/1/40156/320	N/A	N/A	N/A
Fixed Socket (Round Flange With Outlet Nut)	LMF/1/40136/320	N/A	N/A	N/A
Fixed Plug (Square Flange)	N/A	N/A	LMF/1/40356/520	LMG/1/07276/220
Fixed Socket (Square Flange)	N/A	N/A	LMF/1/40336/520	LMG/1/07256/220
Free Coupler Plug	LMF/1/40116/320	LMG/1/07116/220	LMF/1/40316/520	LMG/1/07316/220
Free Coupler Socket	LMF/1/40096/320	LMG/1/07096/220	LMF/1/40296/520	LMG/1/07296/220
Bulkhead Plug/Socket	LMF/1/40196/320	N/A	LMF/1/40396/520	N/A
Bulkhead Socket/Plug	LMF/1/40176/320	N/A	LMF/1/40376/520	N/A

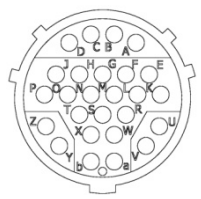
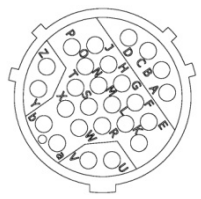
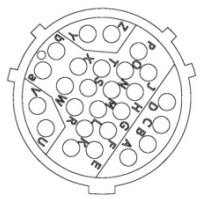
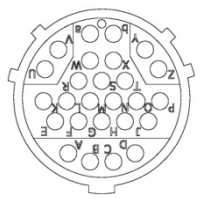
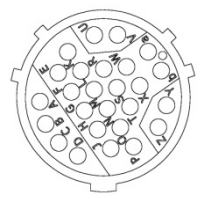
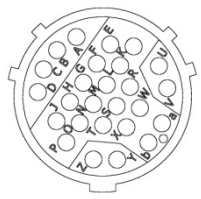
**IMPORTANT**

Only shell size 3 codes g, h & i accessories may be used with these connectors.  
Mating combinations – refer to page 7 (for LMF) or page 12 (for LMG).  
To specify orientation versions replace last digit with digit of relevant position number,  
e.g. LMF/1/40036/325 = ORIENTATION POSITION 5



**LMG RANGE  
SHELL SIZE 2**

**26 contacts 3 amp 500 volts D.C. or A.C. peak**  
**Note "Plugs" have 18 male contacts, 8 female contacts**  
**"Sockets" have 18 female contacts, 8 male contacts**

PLUG FACE ORIENTATION	0	1	2	3	4	5
<b>LMG RANGE</b>						

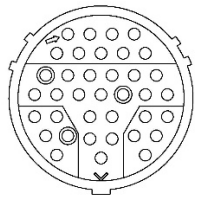
CONNECTOR STYLE	ALUMINIUM	BRASS
	LMG Part No.	LMG Part No.
Free Plug	LMG/1/18449/220	LMG/1/18509/220
Free Socket	LMG/1/18459/220	LMG/1/18519/220
Fixed Plug (Round Flange)	LMG/1/18469/220	LMG/1/18529/220
Fixed Socket (Round Flange)	LMG/1/18479/220	LMG/1/18539/220
Fixed Plug (Square Flange)	N/A	LMG/1/18549/220
Fixed Socket (Square Flange)	N/A	LMG/1/18559/220
Free Coupler Plug	LMG/1/18489/220	LMG/1/18569/220
Free Coupler Socket	LMG/1/18499/220	LMG/1/18579/220

**IMPORTANT**

Only shell size 2 codes c, d, e & f accessories may be used with these connectors.  
 Mating combinations – refer to page 12.  
 To specify orientation versions replace last digit with digit of relevant position number,  
 e.g. LMG/1/18449/225 = ORIENTATION POSITION 5

**LMG RANGE  
SHELL SIZE 3**

**37 contacts 3 amp 500 volts D.C. or A.C. peak**  
**Note "Plugs" have 18 male contacts, 19 female contacts**  
**"Sockets" have 18 female contacts, 19 male contacts**

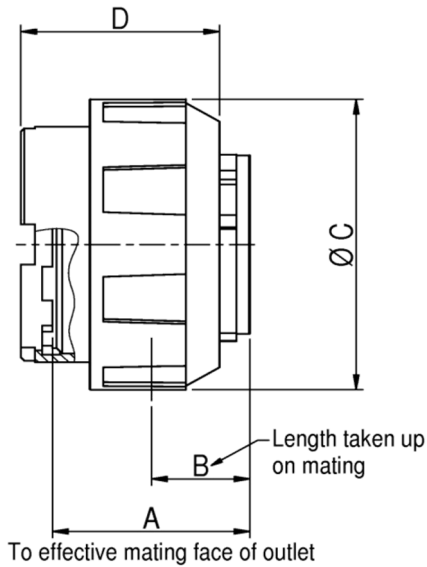
PLUG FACE ORIENTATION	0	1	2	3	4	5
<b>LMG RANGE</b>		N/A	N/A	N/A	N/A	N/A

CONNECTOR STYLE	BRASS
	LMG Part No.
Free Plug	LMG/1/18510/220
Free Socket	LMG/1/18520/220
Fixed Plug (Round Flange)	N/A
Fixed Socket (Round Flange)	N/A
Fixed Plug (Square Flange)	LMG/1/18550/220
Fixed Socket (Square Flange)	LMG/1/18560/220
Free Coupler Plug	LMG/1/18570/220
Free Coupler Socket	LMG/1/18580/220

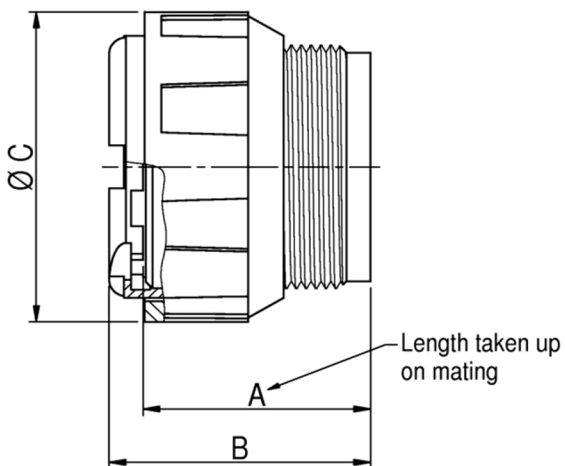
**IMPORTANT**

Only shell size 3 codes g, h & i accessories may be used with these connectors.  
Mating combinations – refer to page 12.

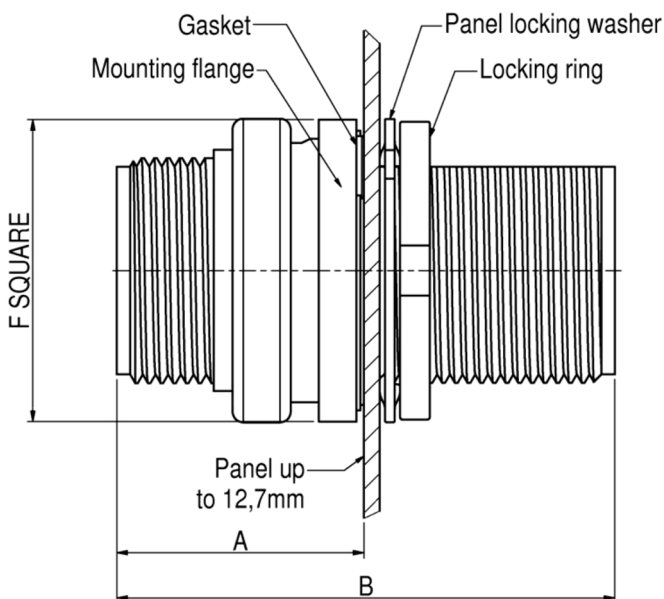
## LMF / LMG RANGE DIMENSIONS ALUMINIUM LMF/LMG PLUGS AND SOCKETS



FREE PLUGS AND SOCKETS					
Shell Size	A max.	B min.	C dia. max.	D max.	Coupling Thread Dia. X 20 T.P.I. B.S. 84
1	22.61	8.00	29.21	26.67	0.8437"
2	22.61	8.00	34.80	26.67	1.0625"
3	28.19	11.00	44.45	32.00	1.4375"



FREE COUPLER PLUGS AND SOCKETS				
Shell Size	A max.	B min.	C dia. max.	Coupling Thread Dia. X 20 T.P.I. B.S. 84
1	25.65	30.48	29.21	0.8437"
2	25.65	30.48	34.80	1.0625"
3	27.81	33.02	44.45	1.4375"

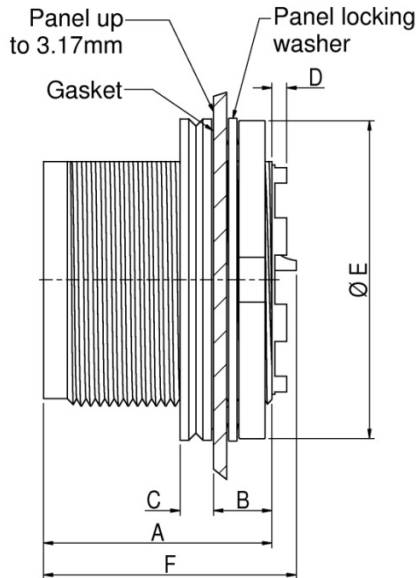


BULKHEAD PLUG/SOCKETS AND SOCKET/PLUGS			
Shell Size	A	B	F Sq.
1	22.35	46.74	28.45
2	22.35	46.74	34.04
3	24.64	52.32	43.69

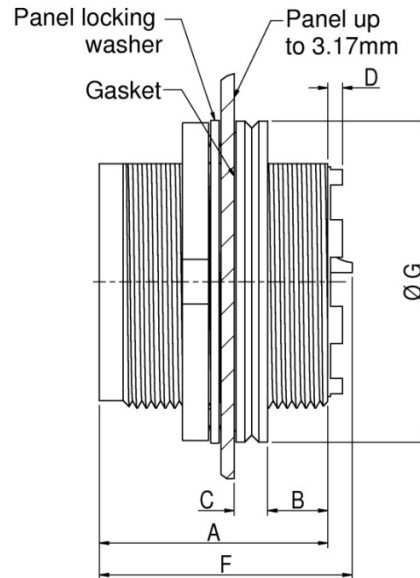
## LMF / LMG RANGE DIMENSIONS ALUMINIUM LMF/LMG PLUGS AND SOCKETS

### FIXED ROUND FLANGE PLUGS AND SOCKETS

**MOUNTED FROM FRONT OF PANEL**  
Outlets cannot be used



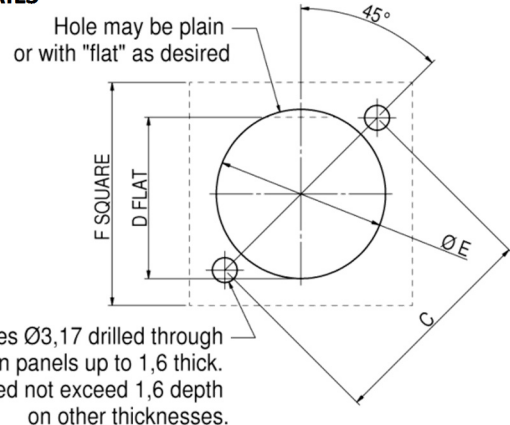
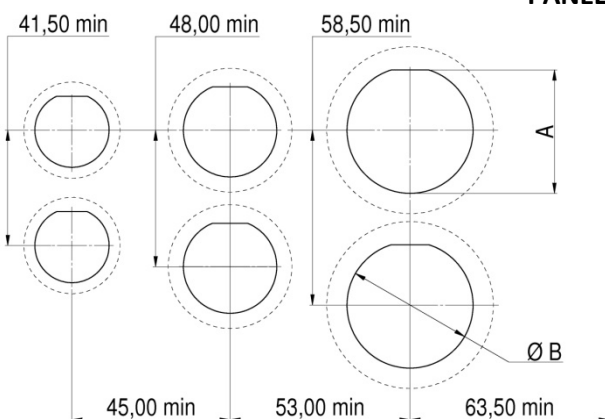
**MOUNTED FROM REAR OF PANEL**  
Outlets may be used (LMG Range only)



Shell Size	A max.	B min.	c min.	D	E dia. max.	F max.	G dia. max.
1	25.65	5.97	3.30	1.14	28.70	27.43	29.21
2	25.65	5.97	3.30	1.14	34.29	27.43	35.05
3	27.81	7.62	3.81	1.52	43.94	29.21	44.45

For tools required when mounting see LMF/LMG Accessory Catalogue. For coupling thread see Free Unit (page 35). LMF Connectors – fixed – round flange do not have accessory castellations. Illustrations on this page are LMG.

### PANEL PIERCING DETAILS

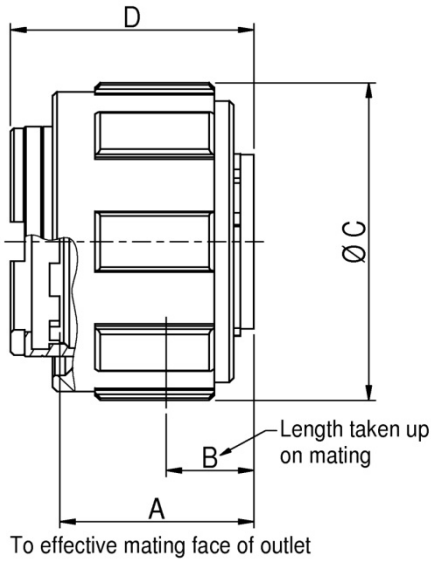


FIXED PLUGS AND SOCKETS		
Shell Size	A	B dia.
1	20.60/20.73	21.54/21.67
2	26.24/26.36	27.10/27.23
3	35.81/35.94	36.63/36.75

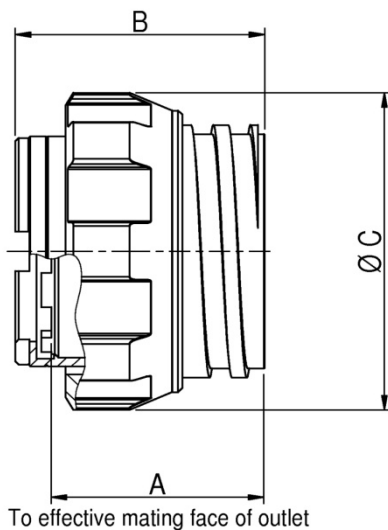
BULKHEAD PLUG/SOCKET & SOCKET/PLUG				
Shell Size	C	D Flat	E Dia.	F Sq.
1	27.43/27.56	20.60/20.73	21.54/21.67	28.45
2	34.80/34.92	26.24/26.36	27.10/27.23	34.04
3	45.97/46.10	35.81/35.94	36.63/36.75	43.69



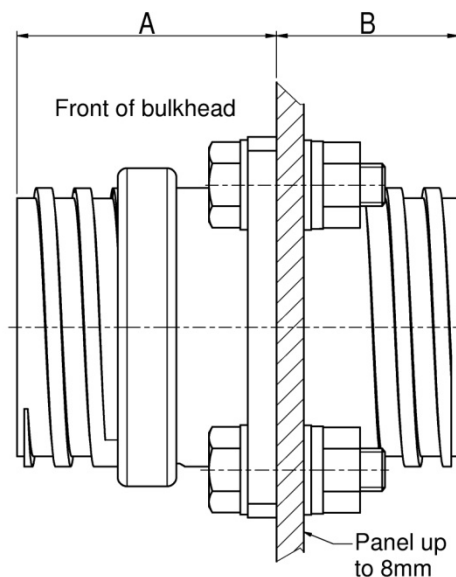
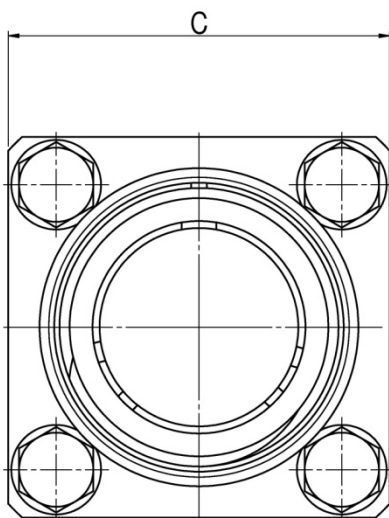
## LMF / LMG RANGE DIMENSIONS BRASS LMF/LMG PLUGS AND SOCKETS



FREE PLUGS AND SOCKETS					
Shell Size	A max.	B min.	C dia. max.	D max.	Coupling Thread (Nominal)
1	22.61	8	32.51	26.67	Major Dia. 1.000" X 6 T.P.I. Modified Acme
2	22.61	8	38.61	26.67	Major Dia. 1.219" X 6 T.P.I. Modified Acme
3	28.19	11	49.02	32.00	Major Dia. 1.605" X 6 T.P.I. Modified Acme
3 HD*	28.19	11	49.02	32.00	Major Dia. 1.605" X 8 T.P.I. Twin-Start Modified Acme



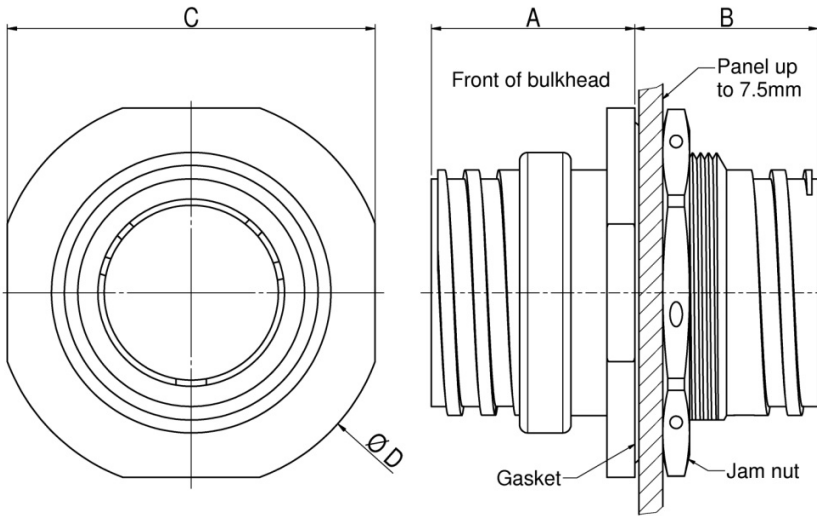
FREE COUPLER PLUGS AND SOCKETS				
Shell Size	A max.	B max.	C dia. max.	Coupling Thread (Nominal)
1	26.92	30.48	32.51	Major Dia. 1.000" X 6 T.P.I. Modified Acme
2	26.92	30.48	38.61	Major Dia. 1.219" X 6 T.P.I. Modified Acme
3	27.81	33.02	49.02	Major Dia. 1.605" X 6 T.P.I. Modified Acme
3 HD*	27.81	33.02	49.02	Major Dia. 1.605" X 8 T.P.I. Twin-Start Modified Acme



SQUARE FLANGE BULKHEAD PLUG/SOCKETS & SOCKET/PLUGS (LMF ONLY)			
Shell Size	A	B	C Sq.
1	29.21	20.07	33.78
2	29.21	20.07	41.91
3	31.50	23.37	48.77

\* - Relates to size 3 connectors with 37 contacts.

## LMF / LMG RANGE DIMENSIONS BRASS LMF/LMG PLUGS AND SOCKETS

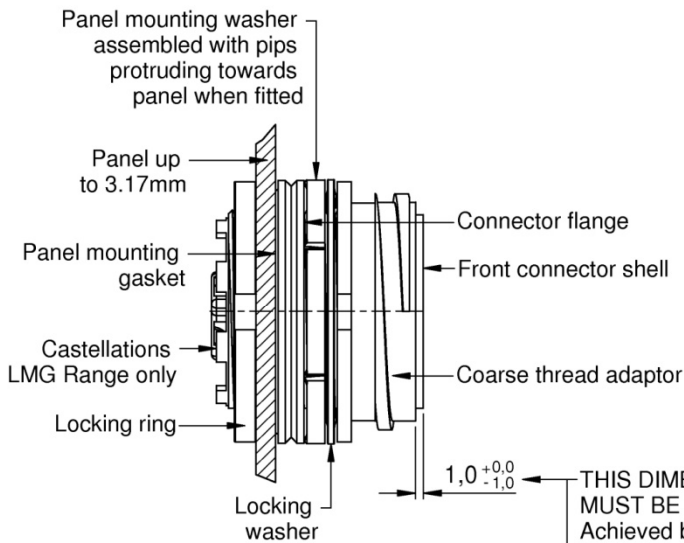


SINGLE HOLE MOUNTING BULKHEAD PLUG/SOCKETS & SOCKET/PLUGS (LMF ONLY)				
Shell Size	A	B	C	D Dia.
1	25.50	23.00	38.20	41.80
2	25.50	23.00	46.10	49.20
3	29.00	25.00	55.60	58.60

### FIXED ROUND FLANGE PLUGS AND SOCKETS

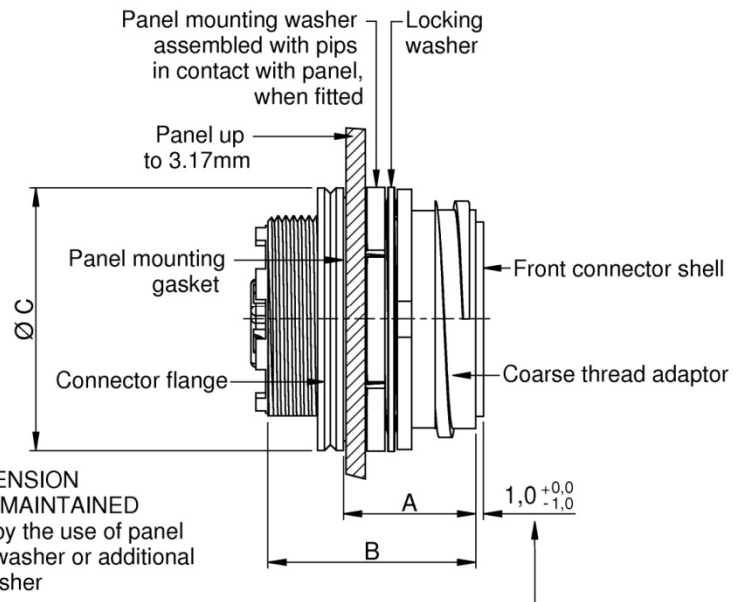
#### MOUNTED FROM FRONT OF PANEL

Outlets cannot be used



#### MOUNTED FROM REAR OF PANEL

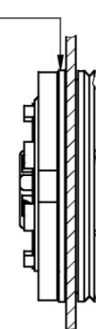
Outlets may be used (LMG Range only)



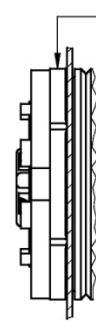
THIS DIMENSION MUST BE MAINTAINED  
Achieved by the use of panel mounting washer or additional locking washer

Shell Size	A mm max	B mm nom	C mm dia.	Panel mounting washer Pt. No.
1	15.24	25.65	29.21	LMA/2/07810/00*
2	15.24	25.65	34.8	LMA/2/07811/00*
3	17.02	27.81	44.45	LMA/2/07812/00*

An additional locking washer is required for panels from 1.14 up to 2.16mm. Use between panel and locking ring.



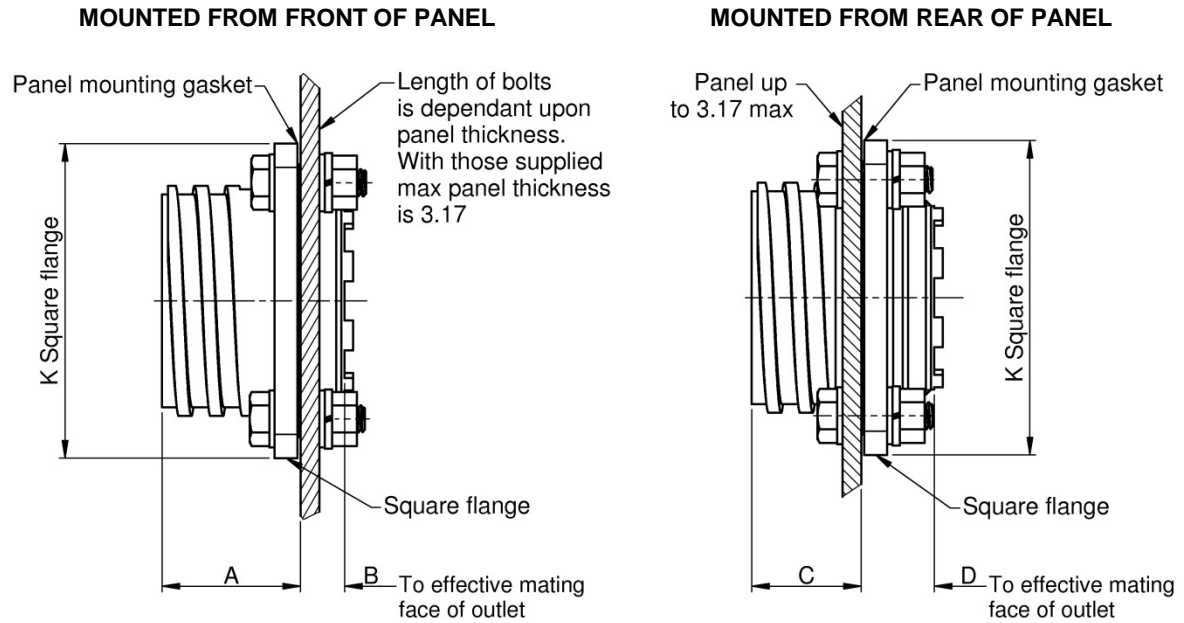
Alternatively for panels from 0.76 up to 1.14mm use a panel mounting washer in between panel and locking ring.



For tools required when mounting see LMF/LMG Accessory Catalogue. For coupling thread see Free Unit (Page 37). LMF Connectors – fixed – round flange do not have accessory castellation. Illustrations on this page are LMG.

## LMF / LMG RANGE DIMENSIONS BRASS LMF/LMG PLUGS AND SOCKETS

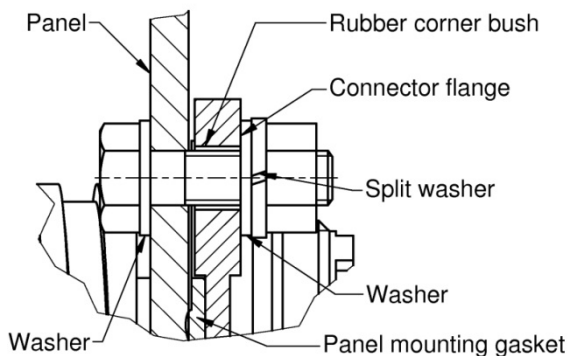
### FIXED SQUARE FLANGE PLUGS AND SOCKETS



Bolts should be mounted with bolt heads on the mating side of plug or socket

Shell Size	A max.	B	C max.	D	K Sq. max
1	19.94	6.60	17.14	9.65	34.04
2	19.94	6.60	17.14	9.65	42.16
3	22.10	7.11	18.29	10.16	49.02

### CORNER BOLT SEALING DETAILS

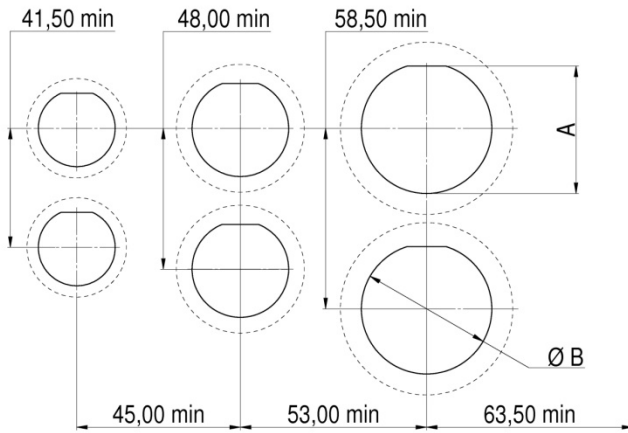


#### IMPORTANT

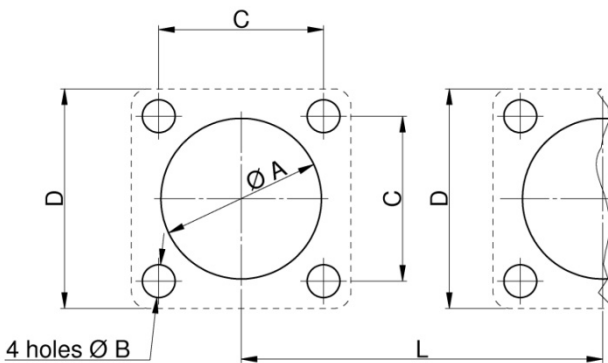
These plugs and sockets are supplied complete with panel-mounting gasket, corner bushes, nuts, bolts and washers. Where outlets are to be used, outlet nuts (see LMF/LMG Accessory Catalogue, page 10) must be specified as additional items.

## LMF / LMG RANGE DIMENSIONS BRASS LMF/LMG PLUGS AND SOCKETS

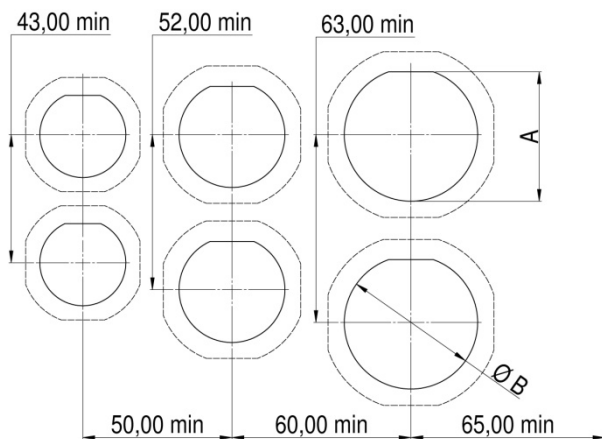
### PANEL PIERCING DETAILS



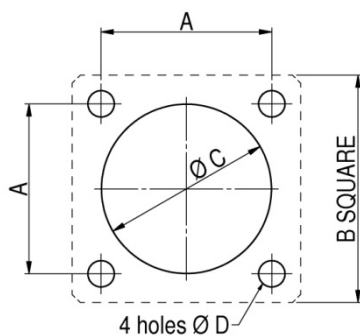
FIXED PLUGS AND SOCKETS		
Shell Size	A min/max	B dia.
1	20.60/20.73	21.54/21.67
2	26.24/26.36	27.10/27.23
3	35.81/35.94	36.63/36.75



FIXED SQUARE FLANGE PLUGS AND SOCKETS					
Shell Size	A dia. min/max	B dia.	C	D nom.	L
1	25.27/25.4	3.96	25.4	33.78	36.83
2	30.86/30.99	5.10	31.37	41.91	43.43
3	40.39/40.51	5.10	38.48	48.77	55.63



SINGLE HOLE MOUNTING BULKHEAD PLUG/SOCKETS & SOCKET/PLUGS (LMF ONLY)		
Shell Size	A	B dia.
1	27.56/27.81	28.83/29.08
2	33.91/34.16	35.18/35.43
3	43.43/43.68	44.70/44.95



SQUARE FLANGE BULKHEAD PLUG/SOCKETS & SOCKET/PLUGS (LMF ONLY)				
Shell Size	A	B	C dia.	D dia.
1	25.40	33.78	25.53/25.65	3.73
2	31.37	41.91	31.11/31.24	4.85
3	38.48	48.77	40.64/40.77	4.85



## LMF RANGE CONNECTOR PART NUMBER INDEX

Line No.	Part No.	Page No.	Line No.	Part No.	Page No.	Line No.	Part No.	Page No.	Line No.	Part No.	Page No.
1	LMF/1/40000/320	15	85	LMF/1/40104/320	16	169	LMF/1/40222/520	19	253	LMF/1/40326/520	20
2	LMF/1/40001/320	17	86	LMF/1/40105/320	18	170	LMF/1/40223/520	23	254	LMF/1/40327/520	24
3	LMF/1/40002/320	19	87	LMF/1/40106/320	20	171	LMF/1/40224/520	16	255	LMF/1/40328/520	25
4	LMF/1/40003/320	23	88	LMF/1/40107/320	24	172	LMF/1/40225/520	18	256	LMF/1/40329/520	29
5	LMF/1/40004/320	16	89	LMF/1/40108/320	25	173	LMF/1/40226/520	20	257	LMF/1/40330/520	21
6	LMF/1/40005/320	18	90	LMF/1/40109/320	29	174	LMF/1/40227/520	24	258	LMF/1/40331/520	22
7	LMF/1/40006/320	20	91	LMF/1/40110/320	21	175	LMF/1/40228/520	25	259	LMF/1/40332/520	26
8	LMF/1/40007/320	24	92	LMF/1/40111/320	22	176	LMF/1/40229/520	29	260	LMF/1/40333/520	27
9	LMF/1/40008/320	25	93	LMF/1/40112/320	26	177	LMF/1/40230/520	21	261	LMF/1/40335/520	31
10	LMF/1/40009/320	29	94	LMF/1/40113/320	27	178	LMF/1/40231/520	22	262	LMF/1/40336/520	32
11	LMF/1/40010/320	21	95	LMF/1/40115/320	31	179	LMF/1/40232/520	26	263	LMF/1/40340/520	15
12	LMF/1/40011/320	22	96	LMF/1/40116/320	32	180	LMF/1/40233/520	27	264	LMF/1/40341/520	17
13	LMF/1/40012/320	26	97	LMF/1/40120/320	15	181	LMF/1/40235/520	31	265	LMF/1/40342/520	19
14	LMF/1/40013/320	27	98	LMF/1/40121/320	17	182	LMF/1/40236/520	32	266	LMF/1/40343/520	23
15	LMF/1/40015/320	31	99	LMF/1/40122/320	19	183	LMF/1/40240/520	15	267	LMF/1/40344/520	16
16	LMF/1/40016/320	32	100	LMF/1/40123/320	23	184	LMF/1/40241/520	17	268	LMF/1/40345/520	18
17	LMF/1/40020/320	15	101	LMF/1/40124/320	16	185	LMF/1/40242/520	19	269	LMF/1/40346/520	20
18	LMF/1/40021/320	17	102	LMF/1/40125/320	18	186	LMF/1/40243/520	23	270	LMF/1/40347/520	24
19	LMF/1/40022/320	19	103	LMF/1/40126/320	20	187	LMF/1/40244/520	16	271	LMF/1/40348/520	25
20	LMF/1/40023/320	23	104	LMF/1/40127/320	24	188	LMF/1/40245/520	18	272	LMF/1/40349/520	29
21	LMF/1/40024/320	16	105	LMF/1/40128/320	25	189	LMF/1/40246/520	20	273	LMF/1/40350/520	21
22	LMF/1/40025/320	18	106	LMF/1/40129/320	29	190	LMF/1/40247/520	24	274	LMF/1/40351/520	22
23	LMF/1/40026/321	20	107	LMF/1/40130/320	21	191	LMF/1/40248/520	25	275	LMF/1/40352/520	26
24	LMF/1/40027/320	24	108	LMF/1/40131/320	22	192	LMF/1/40249/520	27	276	LMF/1/40353/520	27
25	LMF/1/40028/320	25	109	LMF/1/40132/320	26	193	LMF/1/40250/520	21	277	LMF/1/40355/520	31
26	LMF/1/40029/320	29	110	LMF/1/40133/320	27	194	LMF/1/40251/520	22	278	LMF/1/40356/520	32
27	LMF/1/40030/320	21	111	LMF/1/40135/320	31	195	LMF/1/40252/520	26	279	LMF/1/40360/520	15
28	LMF/1/40031/320	22	112	LMF/1/40136/320	32	196	LMF/1/40253/520	27	280	LMF/1/40361/520	17
29	LMF/1/40032/320	26	113	LMF/1/40140/320	15	197	LMF/1/40255/520	31	281	LMF/1/40362/520	19
30	LMF/1/40033/320	27	114	LMF/1/40141/320	17	198	LMF/1/40256/520	32	282	LMF/1/40363/520	23
31	LMF/1/40035/320	31	115	LMF/1/40142/320	19	199	LMF/1/40260/520	15	283	LMF/1/40366/520	20
32	LMF/1/40036/320	32	116	LMF/1/40143/320	23	200	LMF/1/40261/520	17	284	LMF/1/40367/520	24
33	LMF/1/40040/320	15	117	LMF/1/40144/320	16	201	LMF/1/40262/520	19	285	LMF/1/40368/520	25
34	LMF/1/40041/320	17	118	LMF/1/40145/320	18	202	LMF/1/40263/520	23	286	LMF/1/40369/520	29
35	LMF/1/40042/320	19	119	LMF/1/40146/320	20	203	LMF/1/40264/520	16	287	LMF/1/40372/520	26
36	LMF/1/40043/320	23	120	LMF/1/40147/320	24	204	LMF/1/40265/520	18	288	LMF/1/40375/520	31
37	LMF/1/40044/320	16	121	LMF/1/40148/320	25	205	LMF/1/40266/520	20	289	LMF/1/40376/520	32
38	LMF/1/40045/320	18	122	LMF/1/40149/320	29	206	LMF/1/40267/520	24	290	LMF/1/40380/520	15
39	LMF/1/40046/320	20	123	LMF/1/40150/320	21	207	LMF/1/40268/520	25	291	LMF/1/40381/520	17
40	LMF/1/40047/320	24	124	LMF/1/40151/320	22	208	LMF/1/40269/520	29	292	LMF/1/40382/520	19
41	LMF/1/40048/320	25	125	LMF/1/40152/320	26	209	LMF/1/40270/520	21	293	LMF/1/40383/520	23
42	LMF/1/40049/320	29	126	LMF/1/40153/320	27	210	LMF/1/40271/520	22	294	LMF/1/40386/520	20
43	LMF/1/40050/320	21	127	LMF/1/40155/320	31	211	LMF/1/40272/520	26	295	LMF/1/40387/520	24
44	LMF/1/40051/320	22	128	LMF/1/40156/320	32	212	LMF/1/40273/520	27	296	LMF/1/40388/520	25
45	LMF/1/40052/320	26	129	LMF/1/40160/320	15	213	LMF/1/40275/520	31	297	LMF/1/40389/520	29
46	LMF/1/40053/320	27	130	LMF/1/40161/325	17	214	LMF/1/40276/520	32	298	LMF/1/40392/520	26
47	LMF/1/40055/320	31	131	LMF/1/40162/320	19	215	LMF/1/40280/520	15	299	LMF/1/40395/520	31
48	LMF/1/40056/320	32	132	LMF/1/40163/320	23	216	LMF/1/40281/520	17	300	LMF/1/40396/520	32
49	LMF/1/40060/320	15	133	LMF/1/40166/320	20	217	LMF/1/40282/520	19	301	LMF/1/40414/520	30
50	LMF/1/40061/320	17	134	LMF/1/40167/320	24	218	LMF/1/40283/520	23	302	LMF/1/40434/520	30
51	LMF/1/40062/320	19	135	LMF/1/40168/320	25	219	LMF/1/40284/520	16	303	LMF/1/40454/520	30
52	LMF/1/40063/320	23	136	LMF/1/40169/320	29	220	LMF/1/40285/520	18	304	LMF/1/40474/320	30
53	LMF/1/40064/320	16	137	LMF/1/40172/320	26	221	LMF/1/40286/520	20	305	LMF/1/40494/320	30
54	LMF/1/40065/320	18	138	LMF/1/40175/320	31	222	LMF/1/40287/520	24	306	LMF/1/40514/320	30
55	LMF/1/40066/320	20	139	LMF/1/40176/320	32	223	LMF/1/40288/520	25	307	LMF/1/40534/320	30
56	LMF/1/40067/320	24	140	LMF/1/40180/320	15	224	LMF/1/40289/520	29	308	LMF/1/40554/320	30
57	LMF/1/40068/320	25	141	LMF/1/40181/320	17	225	LMF/1/40290/520	21	309	LMF/1/40614/520	30
58	LMF/1/40069/320	29	142	LMF/1/40182/320	19	226	LMF/1/40291/520	22	310	LMF/1/40634/520	30
59	LMF/1/40070/320	21	143	LMF/1/40183/320	23	227	LMF/1/40292/520	26	311	LMF/1/40654/520	30
60	LMF/1/40071/320	22	144	LMF/1/40186/320	20	228	LMF/1/40293/520	27	312	LMF/1/40674/520	30
61	LMF/1/40072/320	26	145	LMF/1/40187/320	24	229	LMF/1/40295/520	31	313	LMF/1/40694/520	30
62	LMF/1/40073/320	27	146	LMF/1/40188/320	25	230	LMF/1/40296/520	32	314	LMF/1/40714/520	30
63	LMF/1/40075/320	31	147	LMF/1/40189/320	29	231	LMF/1/40300/520	15	315	LMF/1/40734/520	30
64	LMF/1/40076/320	32	148	LMF/1/40192/320	26	232	LMF/1/40301/520	17	316	LMF/1/40754/520	30
65	LMF/1/40080/320	15	149	LMF/1/40195/320	31	233	LMF/1/40302/520	19	317	LMF/1/41218	14
66	LMF/1/40081/320	17	150	LMF/1/40196/320	32	234	LMF/1/40303/520	23	318	LMF/1/41219	14
67	LMF/1/40082/320	19	151	LMF/1/40200/320	15	235	LMF/1/40304/520	16	319	LMF/1/41220	14
68	LMF/1/40083/320	23	152	LMF/1/40201/320	17	236	LMF/1/40305/520	18	320	LMF/1/41221	14
69	LMF/1/40084/320	16	153	LMF/1/40202/320	19	237	LMF/1/40306/520	20	321	LMF/1/41222	14
70	LMF/1/40085/320	18	154	LMF/1/40203/320	23	238	LMF/1/40307/520	24	322	LMF/1/41223	14
71	LMF/1/40086/320	20	155	LMF/1/40204/320	16	239	LMF/1/40308/520	25	323	LMF/1/41224	14
72	LMF/1/40087/320	24	156	LMF/1/40205/320	18	240	LMF/1/40309/520	29	324	LMF/1/41225	14
73	LMF/1/40088/320	25	157	LMF/1/40206/320	20	241	LMF/1/40310/520	21	325	LMF/1/41226	14
74	LMF/1/40089/320	29	158	LMF/1/40207/320	24	242	LMF/1/40311/520	22	326	LMF/1/41227	14
75	LMF/1/40090/320	21	159	LMF/1/40208/320	25	243	LMF/1/40312/520	26	327	LMF/1/41250	14
76	LMF/1/40091/320	22	160	LMF/1/40209/320	29	244	LMF/1/40313/520	27	328	LMF/1/41251	14
77	LMF/1/40092/320	26	161	LMF/1/40210/320	21	245	LMF/1/40315/520	31	329	LMF/1/41252	14
78	LMF/1/40093/320	27	162	LMF/1/40211/320	22	246	LMF/1/40316/520	32	330	LMF/1/41253	14
79	LMF/1/40095/320	31	163	LMF/1/40212/320	26	247	LMF/1/40320/520	15	331	LMF/1/41254	14
80	LMF/1/40096/320	32	164	LMF/1/40213/320	27	248	LMF/1/40321/520	17	332	LMF/1/41255	14
81	LMF/1/40100/320	15	165	LMF/1/40215/320	31	249	LMF/1/40322/520	19	333	LMF/1/41256	14
82	LMF/1/40101/320	17	166	LMF/1/40216/320	32	250	LMF/1/40323/520	23	334	LMF/1/41257	14
83	LMF/1/40102/320	19	167	LMF/1/40220/520	15	251	LMF/1/40324/520	16	335	LMF/1/41260	14
84	LMF/1/40103/320	23	168	LMF/1/40221/520	17	252	LMF/1/40325/520	18	336	LMF/1/41261	14

## LMG RANGE CONNECTOR PART NUMBER INDEX

Line No.	Part No.	Page No.	Line No.	Part No.	Page No.	Line No.	Part No.	Page No.	Line No.	Part No.	Page No.
1	LMG/1/07000/220	15	85	LMG/1/07096/220	32	169	LMG/1/07275/220	31	253	LMG/1/18510/220	34
2	LMG/1/07001/220	17	86	LMG/1/07100/220	15	170	LMG/1/07276/220	32	254	LMG/1/18518/220	28
3	LMG/1/07002/220	19	87	LMG/1/07101/220	17	171	LMG/1/07280/220	15	255	LMG/1/18519/220	33
4	LMG/1/07003/220	23	88	LMG/1/07102/220	19	172	LMG/1/07281/220	17	256	LMG/1/18520/220	34
5	LMG/1/07004/220	16	89	LMG/1/07103/220	23	173	LMG/1/07282/220	19	257	LMG/1/18528/220	28
6	LMG/1/07005/220	18	90	LMG/1/07104/220	16	174	LMG/1/07283/220	23	258	LMG/1/18529/220	33
7	LMG/1/07006/220	20	91	LMG/1/07105/220	18	175	LMG/1/07284/220	16	259	LMG/1/18538/220	28
8	LMG/1/07007/220	24	92	LMG/1/07106/220	20	176	LMG/1/07285/220	18	260	LMG/1/18539/220	33
9	LMG/1/07008/220	25	93	LMG/1/07107/220	24	177	LMG/1/07286/220	20	261	LMG/1/18548/220	28
10	LMG/1/07009/220	29	94	LMG/1/07108/220	25	178	LMG/1/07287/220	24	262	LMG/1/18549/220	33
11	LMG/1/07010/220	21	95	LMG/1/07109/220	29	179	LMG/1/07288/220	25	263	LMG/1/18550/220	34
12	LMG/1/07011/220	22	96	LMG/1/07110/220	21	180	LMG/1/07289/220	29	264	LMG/1/18558/220	28
13	LMG/1/07012/220	26	97	LMG/1/07111/220	22	181	LMG/1/07290/220	21	265	LMG/1/18559/220	33
14	LMG/1/07013/220	27	98	LMG/1/07112/220	26	182	LMG/1/07291/220	22	266	LMG/1/18560/220	34
15	LMG/1/07014/220	30	99	LMG/1/07113/220	27	183	LMG/1/07292/220	26	267	LMG/1/18568/220	28
16	LMG/1/07015/220	31	100	LMG/1/07114/220	30	184	LMG/1/07293/220	27	268	LMG/1/18569/220	33
17	LMG/1/07016/220	32	101	LMG/1/07115/220	31	185	LMG/1/07294/220	30	269	LMG/1/18570/220	34
18	LMG/1/07020/220	15	102	LMG/1/07116/220	32	186	LMG/1/07295/220	31	270	LMG/1/18578/220	28
19	LMG/1/07021/220	17	103	LMG/1/07200/220	15	187	LMG/1/07296/220	32	271	LMG/1/18579/220	33
20	LMG/1/07022/220	19	104	LMG/1/07201/220	17	188	LMG/1/07300/220	15	272	LMG/1/18580/220	34
21	LMG/1/07023/220	23	105	LMG/1/07202/220	19	189	LMG/1/07301/220	17			
22	LMG/1/07024/220	16	106	LMG/1/07203/220	23	190	LMG/1/07302/220	19			
23	LMG/1/07025/220	18	107	LMG/1/07204/220	16	191	LMG/1/07303/220	23			
24	LMG/1/07026/220	20	108	LMG/1/07205/220	18	192	LMG/1/07304/220	16			
25	LMG/1/07027/220	24	109	LMG/1/07206/220	20	193	LMG/1/07305/220	18			
26	LMG/1/07028/220	25	110	LMG/1/07207/220	24	194	LMG/1/07306/220	20			
27	LMG/1/07029/220	29	111	LMG/1/07208/220	25	195	LMG/1/07307/220	24			
28	LMG/1/07030/220	21	112	LMG/1/07209/220	29	196	LMG/1/07308/220	25			
29	LMG/1/07031/220	22	113	LMG/1/07210/220	21	197	LMG/1/07309/220	29			
30	LMG/1/07032/220	26	114	LMG/1/07211/220	22	198	LMG/1/07310/220	21			
31	LMG/1/07033/220	27	115	LMG/1/07212/220	26	199	LMG/1/07311/220	22			
32	LMG/1/07034/220	30	116	LMG/1/07213/220	27	200	LMG/1/07312/220	26			
33	LMG/1/07035/220	31	117	LMG/1/07214/220	30	201	LMG/1/07313/220	27			
34	LMG/1/07036/220	32	118	LMG/1/07215/220	31	202	LMG/1/07314/220	30			
35	LMG/1/07040/220	15	119	LMG/1/07216/220	32	203	LMG/1/07315/220	31			
36	LMG/1/07041/220	17	120	LMG/1/07220/220	15	204	LMG/1/07316/220	32			
37	LMG/1/07042/220	19	121	LMG/1/07221/220	17	205	LMG/1/07320/220	15			
38	LMG/1/07043/220	23	122	LMG/1/07222/220	19	206	LMG/1/07321/220	17			
39	LMG/1/07044/220	16	123	LMG/1/07223/220	23	207	LMG/1/07322/220	19			
40	LMG/1/07045/220	18	124	LMG/1/07224/220	16	208	LMG/1/07323/220	23			
41	LMG/1/07046/220	20	125	LMG/1/07225/220	18	209	LMG/1/07324/220	16			
42	LMG/1/07047/220	24	126	LMG/1/07226/220	20	210	LMG/1/07325/220	18			
43	LMG/1/07048/220	25	127	LMG/1/07227/220	24	211	LMG/1/07326/220	20			
44	LMG/1/07049/220	29	128	LMG/1/07228/220	25	212	LMG/1/07327/220	24			
45	LMG/1/07050/220	29	129	LMG/1/07229/220	29	213	LMG/1/07328/220	25			
46	LMG/1/07051/220	22	130	LMG/1/07230/220	21	214	LMG/1/07329/220	29			
47	LMG/1/07052/220	26	131	LMG/1/07231/220	22	215	LMG/1/07330/220	21			
48	LMG/1/07053/220	27	132	LMG/1/07232/220	26	216	LMG/1/07331/220	22			
49	LMG/1/07054/220	30	133	LMG/1/07233/220	27	217	LMG/1/07332/220	26			
50	LMG/1/07055/220	31	134	LMG/1/07234/220	30	218	LMG/1/07333/220	27			
51	LMG/1/07056/220	32	135	LMG/1/07235/220	31	219	LMG/1/07334/220	30			
52	LMG/1/07060/220	15	136	LMG/1/07236/220	32	220	LMG/1/07335/220	31			
53	LMG/1/07061/220	17	137	LMG/1/07240/220	15	221	LMG/1/07336/220	32			
54	LMG/1/07062/220	19	138	LMG/1/07241/220	17	222	LMG/1/07340/220	15			
55	LMG/1/07063/220	23	139	LMG/1/07242/220	19	223	LMG/1/07341/220	17			
56	LMG/1/07064/220	16	140	LMG/1/07243/220	23	224	LMG/1/07342/220	19			
57	LMG/1/07065/220	18	141	LMG/1/07244/220	16	225	LMG/1/07343/220	23			
58	LMG/1/07066/220	20	142	LMG/1/07245/220	18	226	LMG/1/07344/220	16			
59	LMG/1/07067/220	24	143	LMG/1/07246/220	20	227	LMG/1/07345/220	18			
60	LMG/1/07068/220	25	144	LMG/1/07247/220	24	228	LMG/1/07346/220	20			
61	LMG/1/07069/220	29	145	LMG/1/07248/220	25	229	LMG/1/07347/220	24			
62	LMG/1/07070/220	21	146	LMG/1/07249/220	29	230	LMG/1/07348/220	29			
63	LMG/1/07071/220	22	147	LMG/1/07250/220	21	231	LMG/1/07349/220	29			
64	LMG/1/07072/220	26	148	LMG/1/07251/220	22	232	LMG/1/07350/220	21			
65	LMG/1/07073/220	27	149	LMG/1/07252/220	26	233	LMG/1/07351/220	22			
66	LMG/1/07074/220	30	150	LMG/1/07253/220	27	234	LMG/1/07352/220	26			
67	LMG/1/07075/220	31	151	LMG/1/07254/220	30	235	LMG/1/07353/220	27			
68	LMG/1/07076/220	32	152	LMG/1/07255/220	31	236	LMG/1/07354/220	30			
69	LMG/1/07080/220	15	153	LMG/1/07256/220	32	237	LMG/1/07355/220	31			
70	LMG/1/07081/220	17	154	LMG/1/07260/220	15	238	LMG/1/07356/220	32			
71	LMG/1/07082/220	19	155	LMG/1/07261/220	17	239	LMG/1/18448/220	28			
72	LMG/1/07083/220	23	156	LMG/1/07262/220	19	240	LMG/1/18449/220	33			
73	LMG/1/07084/220	16	157	LMG/1/07263/220	23	241	LMG/1/18458/220	28			
74	LMG/1/07085/220	18	158	LMG/1/07264/220	16	242	LMG/1/18459/220	33			
75	LMG/1/07086/220	20	159	LMG/1/07265/220	18	243	LMG/1/18468/220	28			
76	LMG/1/07087/220	24	160	LMG/1/07266/220	20	244	LMG/1/18469/220	33			
77	LMG/1/07088/220	25	161	LMG/1/07267/220	24	245	LMG/1/18478/220	28			
78	LMG/1/07089/220	29	162	LMG/1/07268/220	25	246	LMG/1/18479/220	33			
79	LMG/1/07090/220	21	163	LMG/1/07269/220	29	247	LMG/1/18488/220	28			
80	LMG/1/07091/220	22	164	LMG/1/07270/220	21	248	LMG/1/18489/220	33			
81	LMG/1/07092/220	26	165	LMG/1/07271/220	22	249	LMG/1/18498/220	28			
82	LMG/1/07093/220	27	166	LMG/1/07272/220	26	250	LMG/1/18499/220	33			
83	LMG/1/07094/220	30	167	LMG/1/07273/220	27	251	LMG/1/18508/220	28			
84	LMG/1/07095/220	31	168	LMG/1/07274/220	30	252	LMG/1/18509/220	33			

## **LMF / LMG RANGE**

### **PRODUCT SAFETY INFORMATION**

These notes are intended to be used in conjunction with the Product Catalogue and Product Specification. Products may be safely used in the applications for which they have been designed and within the specified rating and environments. If products are exposed to conditions outside the performance ratings or specified environments they may constitute a hazard. In particular it should be noted that:-

#### **1. Material Content**

Circular Connectors generally use metalwork parts made of brass, aluminium, phosphor-bronze or steel, which, dependant on the particular application, may be passivated and protected with cadmium or zinc plate – in conjunction with chromated or anodised surface finishes. The insulating materials can either be natural or synthetic rubber, together with plastic or glass-filled plastic moulded parts. Contact materials vary but are usually made of brass, phosphor-bronze, alumel or chromel.

#### **2. Electric Shock, Burns and Fire**

Hazard can occur if the product is used outside the specified parameters or if the product is damaged, wrongly wired, poorly assembled, poorly integrated into larger equipments, or contaminated with conductive fluids. Live circuit terminations must be protected and live circuits never broken by disconnecting products.

Hot spots may be created when resistance is increased due to damage or incorrect integration particularly soldering, or loose terminations. Overheating can cause breakdown of insulation, electric shock, burns or, ultimately, fire. In the event of fire noxious and/or toxic fumes may be released and, in these circumstances, any fire involving the product should be dealt with by personnel properly equipped. Connectors with exposed terminations or contacts should not be used on the current supply side of a circuit with exposed contacts on an unmated product. Before making a circuit live, the product and wiring should be checked to ensure there is no electrically conducting debris present. Circuit resistance checks should also be conducted before making the circuit live. Always ensure that connectors are assembled and wired by properly trained personnel.

#### **3. Use, Transport and Storage of Products**

Care must be exercised to avoid damage to any part of the products during transporting, storage or use. Abnormal transit or storage conditions and abuse during installation can give rise to damage. Products should not be used in a damaged condition.

Improper storage (particularly of damaged products) can give rise to additional hazards particularly corrosion. Attention is specifically drawn to the need for proper storage of products containing cadmium and you are advised to see the Guidance Note from the Health and safety Executive on Cadmium – Health and Safety Precautions.

#### **4. Disposal of Products**

Product should not be burnt.

---

### **SAFETY RULES**

1. FOLLOW THE GUIDELINES GIVEN.
2. ALWAYS PROTECT LIVE CIRCUITS AND NEVER DISCONNECT A LIVE CONNECTOR.
3. NEVER USE A DAMAGED CONNECTOR.
4. NEVER BURN DISCARDED CONNECTORS.