
MG Connectors

Bayonet coupling circular connectors
designed to meet the requirements of
MIL-DTL-5015



Weald
ELECTRONICS

MANUFACTURERS OF HIGH QUALITY CONNECTORS AND CONNECTOR ACCESSORIES

www.wealdelectronics.com

**MG RANGE
CONTENTS**

General Specification	3
Shell Styles	4, 5, 6
Ordering Information – Connectors	7
Ordering Information – Protective Caps	8
Ordering Information – Square Gaskets	8
Insert Configurations	9 - 11
Contact Arrangements	
1, 2, 3, 4 Way	12
4, 5, 6, 7 Way	13
7, 8, 9, 10 Way	14
10, 11, 12, 13, 14, 16, 17, 19, 20 Way	15
22, 23, 24, 26, 27, 28, 30, 31, 35, 37, 42, 43, 47, 48, 52, 54, 85, 104 Way	16
Dimensions	
Shell styles 02R and 00T	17
Shell styles 02R B05 and TBF.....	18
Shell styles 00F and 01F.....	19
Shell styles 08F and 06F.....	20
Product Safety	21

About Weald Electronics

Weald Electronics is a leading U.K. manufacturer of electronic and electrical connectors for military and industrial interconnection applications specialising in high quality military circular connectors based on the MIL-DTL-5015 & MIL-DTL-26482 specification.

We offer a wide selection of circular bayonet coupling and screw coupling power connectors, filtered circular connectors and cable connectors in a wide choice of materials and finishes, with specialist ranges suited to the most demanding environments including mining & marine applications.

Customers may specify from a wide range of shell sizes, styles, plug and socket contact types and contact arrangements. Double sided bulkhead versions of our connectors are available and thermocouple contacts can be fitted on request.

Product Availability

Weald Electronics connectors are available through our sole worldwide distributors Lane Electronics.

Lane Electronics is a franchised distributor for Huber & Suhner, Souriau, ITW McMurdo, Pancon Connectors, Polamco, Glenair, AVX, Neutrik, Nicomatic, Positronic, Amphenol and HellermannTyton. Product types stocked include aerospace, coaxial, RF, audio, MIL-DTL-38999, DIN 41612, PCB, D type and back shells. This also includes Souriau's MIL-DTL-38999 Elio fibre optic, miniature and naval bronze connector types.

For all enquiries on price and availability, please contact Lane Electronics:

Phone: +44 (0) 1403 790 661 - Direct line to the sales department.

Fax: +44 (0) 1403 790 849

Email: sales@fclane.com



**MG RANGE
GENERAL SPECIFICATION**


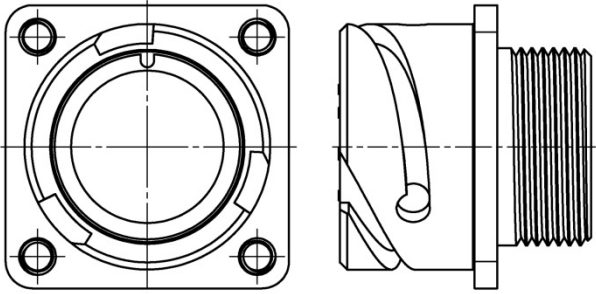

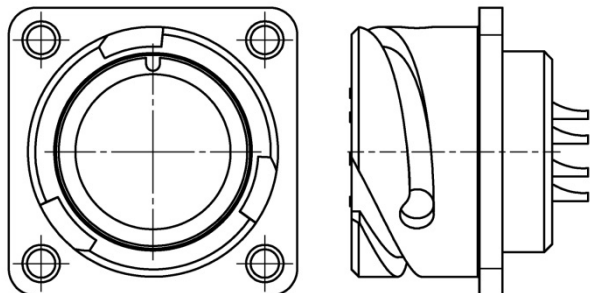
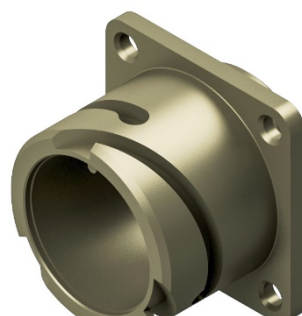
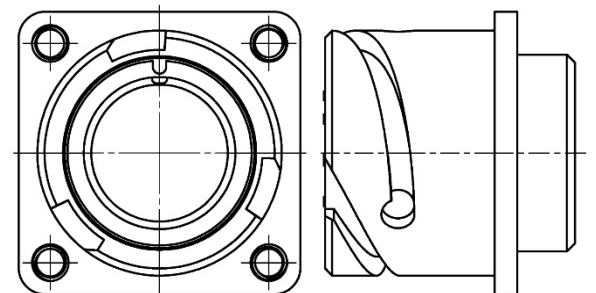
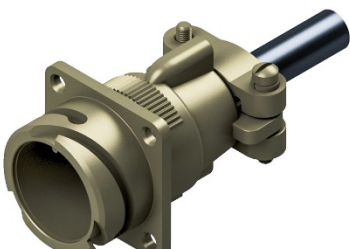
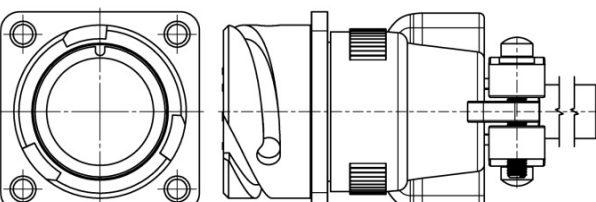
SERVICE RATING	INST	A	D	E	B	C
Test voltage at sea level AC (rms)	1000	2000	2800	3500	4500	7000
Rated working voltage DC at sea level AC (rms)	250	700	1250	1750	2450	4200
	200	500	900	1250	1750	3000
Effective Creepage (nom. mm)	1.57	3.18	4.75	6.35	7.92	25.4
Mechanical spacing (nom. mm)	-	1.57	3.18	4.75	6.35	7.92

CONTACT SIZE	16	12	8	4	0
Max. test current (amps)	22	41	73	135	245
Rated current (amps)	13	23	46	80	150


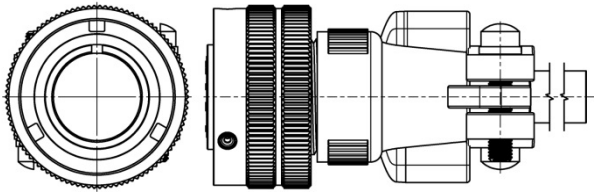

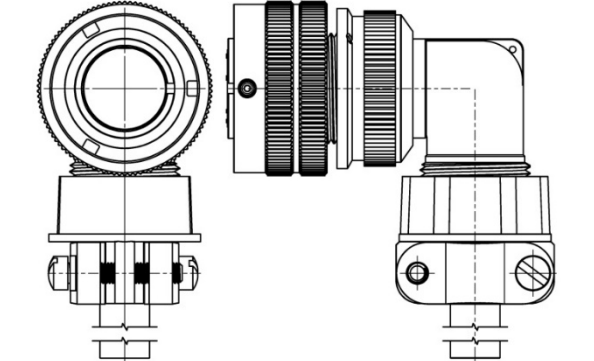

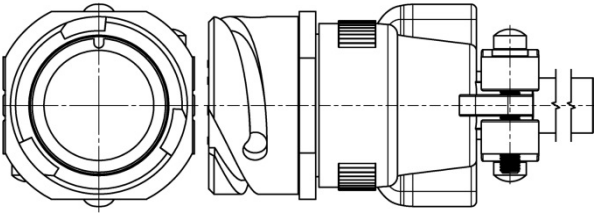

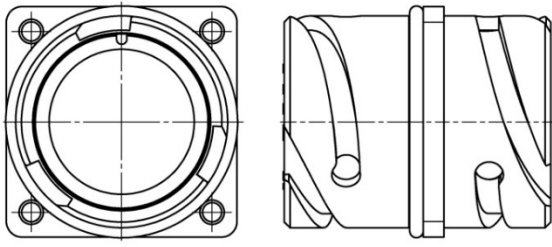
CONTACT SIZE	WIRE SIZE Dia. (mm)	OD OF INSULATED WIRE	
		Max. (mm)	Min. (mm)
16	0.80	3.30	1.63
	1.00		
	1.25		
12	1.60	4.32	2.90
	2.00		
8	2.50	6.48	4.17
	3.15		
4	4.00	9.40	6.90
	5.00		
0	6.30	13.98	10.55
	8.00		

GENERAL SPECIFICATION	
Shell housing	Aluminium Alloy
Plating	Olive Drab Chromate Conversion Over Cadmium (Other finishes available)
Insulator	Polychloroprene
Contact material	Copper base alloy - silver plated (Other materials & finishes available)
Mating cycle	500
Operating temperature	-55°C to +125°C
Insulation resistance	Min. 5000meg ohms at 500V DC
Current rating	10 to 150 amps. (Depends on contact arrangement)
Working voltage	200 to 3000V AC rms (Depends on contact arrangement)
Wire termination	Solder type (Crimp version available to special order)


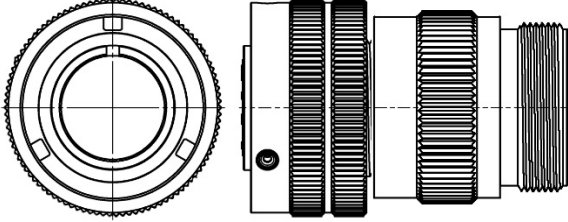

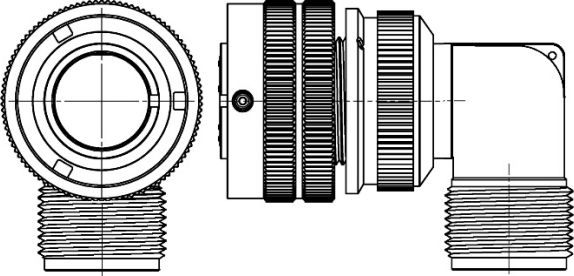

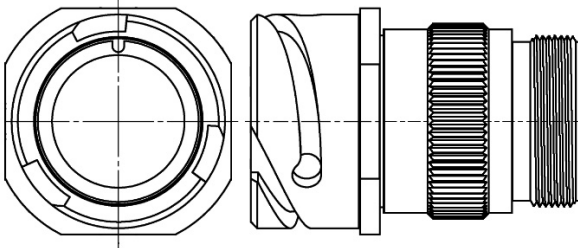
**MG RANGE
SHELL STYLES**

<p>MG 00T FIXED UNIT WITH THREAD</p> <p>Box mounting receptacle for front mounting. With back shell thread.</p>			<p>Mates with: MG 06F MG 06EA MG 08F MG 08EA</p>
<p>MG 02R FIXED UNIT WITHOUT THREAD</p> <p>Box mounting receptacle for front mounting. Without back shell thread.</p>			<p>Mates with: MG 06F MG 06EA MG 08F MG 08EA</p>
<p>MG 02R B05/B051/B052 FIXED UNIT WITHOUT THREAD FOR REAR MOUNT</p> <p>Box mounting receptacle for rear mounting. Without back shell thread, with or without thread in mounting holes.</p>			<p>Mates with: MG 06F MG 06EA MG 08F MG 08EA</p>
<p>MG 00F FIXED UNIT WITH CABLE CLAMP</p> <p>Box mounting receptacle for front mounting. With cable clamp and telescopic bushing.</p>			<p>Mates with: MG 06F MG 06EA MG 08F MG 08EA</p>

**MG RANGE
SHELL STYLES**

<p>MG 06F FREE UNIT STRAIGHT</p> <p>Straight cable connector with cable clamp and telescopic bushing.</p>			<p>Mates with: MG 00T MG 02R MG 02R B05 MG 00F MG 01F MG 01EA MG TBF</p>
<p>MG 08F FREE UNIT 90 DEGREE</p> <p>Cable connector with 90° cable clamp and telescopic bushing.</p>			<p>Mates with: MG 00T MG 02R MG 02R B05 MG 00F MG 01F MG 01EA MG TBF</p>
<p>MG 01F CABLE COUPLER</p> <p>Cable connecting receptacle with cable clamp and telescopic bushing.</p>			<p>Mates with: MG 06F MG 06EA MG 08F MG 08EA</p>
<p>MG TBF BULKHEAD RECEPTACLE</p> <p>Bulkhead receptacle for use with a 06F/EA or 08F/EA connector on each side of the mounting panel.</p>			<p>Mates with: MG 06F MG 06EA MG 08F MG 08EA</p>

**MG RANGE
SHELL STYLES**

<p>MG 06EA FREE UNIT STRAIGHT WITH A ENDBELL ADAPTOR Straight cable connector with removable A endbell adaptor.</p>			<p>Mates with: MG 00T MG 02R MG 02R B05 MG 00F MG 01F MG 01EA MG TBF</p>
<p>MG 08EA FREE UNIT 90 DEGREE WITH A ENDBELL ADAPTOR Cable connector with 90° removable A endbell adaptor.</p>			<p>Mates with: MG 00T MG 02R MG 02R B05 MG 00F MG 01F MG 01EA MG TBF</p>
<p>MG 01EA CABLE COUPLER WITH A ENDBELL ADAPTOR Cable connecting receptacle with 90° removable A endbell adaptor.</p>			<p>Mates with: MG 06F MG 06EA MG 08F MG 08EA</p>

MG RANGE ORDERING INFORMATION

CONNECTORS

PART NO. EXAMPLE MG 02R 28-21 P W GP XX

Range prefix

Shell style

00T – Box mounting receptacle with rear accessory thread
 00F – As 00T with cable clamp
 01F – Cable coupler
 02R – Box mounting receptacle
 06F – Cable connector straight
 08F – Cable connector angular
 TBF – Bulkhead receptacle
 06EA – Cable connector straight with A endbell adaptor
 08EA – Cable connector angular with A endbell adaptor
 01EA – Cable coupler with A endbell adaptor

Shell size

10SL, 12, 12S, 12SP, 14S, 14SA, 16, 16S, 18, 20, 20L, 22, 24, 24L, 28, 28L, 32, 32L, 32BL, 36, 36L, 40, 40BL, 44

Contact arrangement

Refer to pages 12 to 16

Modification (omit for standard)

B05 – Receptacle for rear mounting (type MG 02R only)
 B051 – Receptacle for rear mounting with metric threaded mounting holes
 B052 – Receptacle for rear mounting with UN threaded mounting holes
 A30 – Crimp contacts, silver plated
 C30 – Crimp contacts, flash gold plated, available in selected sizes (contact Sales Department for details)
 211 – Less backshell grommet & follower
 LC – Less contacts (crimp contacts only)
 PMC – Pre mating contact

For other modification requirements contact Sales Department

Finish (omit for standard)

GP – Flash Gold plated contacts (solder)
 NI – Bright Nickel plated
 SS – Stainless Steel shell
 101 – Zinc Cobalt Olive Drab RoHS comp.
 003E – Zinc Cobalt Black RoHS compliant

Alternate insert position (omit for standard)

W, X, Y or Z for alternative position depending on insert.

Contact type

P – Pin (male contact)
 S – Socket (female contact)

**MG RANGE
ORDERING INFORMATION**

PROTECTIVE CAPS



PART NO. EXAMPLE **MG** **XX** **XX** **CC**

Range prefix

Shell style

02 – Receptacles
06 – Cable connectors

Accessory type
Cap and chain

Shell size

10SL, 12, 12S, 12SP, 14S, 14SA, 16, 16S,
18, 20, 20L, 22, 24, 24L, 28, 28L, 32, 32L,
32BL, 36, 36L, 40, 40BL, 44

SQUARE GASKETS

These sealing gaskets made of Neoprene are used with flange mounted receptacles (styles 00T, 02R, 02R B05, 00F and TBF).



PART NUMBER	FITS SHELL SIZE
LMJ 02-10 SQG	10
LMJ 02-12 SQG	12
LMJ 02-14 SQG	14
LMJ 02-16 SQG	16
LMJ 02-18 SQG	18
LMJ 02-20 SQG	20
LMJ 02-22 SQG	22
LMJ 02-24 SQG	24
LMJ 02-28 SQG	28
LMJ 02-32 SQG	32
LMJ 02-36 SQG	36
LMJ 02-40 SQG	40
LMJ 02-44 SQG	44

**MG RANGE
INSERT CONFIGURATIONS**

SR. NO.	INSERT NO.	TOTAL CONTACTS	CONTACT SIZE					ALTERNATE INSERT POSITIONS** (DEGREES)			
			#0	#4	#8	#12	#16	W	X	Y	Z
1	10SL-3	3	-	-	-	-	3	-	-	-	-
2	10SL-4	2	-	-	-	-	2	-	-	-	-
3	12S-3	2	-	-	-	-	2	70	145	215	290
4	12-5*	1	-	-	-	1	-	-	-	-	-
5	12SP-10	4	-	-	-	-	4	-	-	-	-
6	14S-1	3	-	-	-	-	3	-	-	-	-
7	14S-2	4	-	-	-	-	4	-	120	240	-
8	14S-5	5	-	-	-	-	5	-	110	-	-
9	14S-6	6	-	-	-	-	6	-	-	-	-
10	14S-7	3	-	-	-	-	3	90	180	270	-
11	14S-9	2	-	-	-	-	2	70	145	215	290
12	14SL-61	7	-	-	-	-	7	-	-	-	-
13	16S-1	7	-	-	-	-	7	80	-	-	280
14	16S-4	2	-	-	-	-	2	35	110	250	325
15	16S-5	3	-	-	-	-	3	70	145	215	290
16	16S-8	5	-	-	-	-	5	-	170	265	-
17	16-9	4	-	-	-	2	2	35	110	250	325
18	16-10	3	-	-	-	3	-	90	180	270	-
19	16-11	2	-	-	-	2	-	35	110	250	325
20	16-12	1	-	1	-	-	-	-	-	-	-
21	18-1	10	-	-	-	-	10	70	145	215	290
22	18-3	2	-	-	-	2	-	35	110	250	325
23	18-4	4	-	-	-	-	4	35	110	250	325
24	18-5	3	-	-	-	2	1	80	110	250	280
25	18-8	8	-	-	-	1	7	70	-	-	290
26	18-9	7	-	-	-	2	5	80	110	250	280
27	18-10	4	-	-	-	4	-	-	120	240	-
28	18-11	5	-	-	-	5	-	-	170	265	-
29	18-12	6	-	-	-	-	6	80	-	-	280
30	18-16	1	-	-	-	1	-	-	-	-	-
31	18-19	10	-	-	-	-	10	-	-	-	-
32	18-20	5	-	-	-	-	5	90	180	270	-
33	20-2	1	1	-	-	-	-	-	-	-	-
34	20-3	3	-	-	-	3	-	70	145	215	290
35	20-4	4	-	-	-	4	-	45	110	250	-
36	20-7	8	-	-	-	-	8	80	110	250	280
37	20-8	6	-	-	2	-	4	80	110	250	280
38	20L-9	9	-	-	-	9	-	-	110	250	-
39	20-11	13	-	-	-	-	13	-	-	-	-
40	20-14	5	-	-	2	3	-	80	110	250	280
41	20-15	7	-	-	-	7	-	80	-	-	280
42	20-16	9	-	-	-	2	7	80	110	250	280
43	20-17	6	-	-	-	5	1	90	180	270	-
44	20-18	9	-	-	-	3	6	35	110	250	325

** ALTERNATE POSITIONS: To avoid mis-mating of similar connectors which may be adjacently mounted, polarisation is achieved with different angular positioning of the insulator within the shell. On the right of the table above is a list of different angular positions for various contact arrangements. Viewed on the front face, plug (male) inserts rotate clockwise, and sockets (female) rotate anti-clockwise.

* Contact Weald Electronics before ordering (non preferred range).

**MG RANGE
INSERT CONFIGURATIONS**

SR. NO.	INSERT NO.	TOTAL CONTACTS	CONTACT SIZE					ALTERNATE INSERT POSITIONS** (DEGREES)			
			#0	#4	#8	#12	#16	W	X	Y	Z
45	20-19	3	-	-	3	-	-	90	180	270	-
46	20-21	9	-	-	-	1	8	35	110	250	325
47	20-22	6	-	-	3	-	3	80	110	250	280
48	20-23	2	-	-	2	-	-	35	110	250	325
49	20-24	4	-	-	2	-	2	35	110	250	325
50	20-27	14	-	-	-	-	14	35	110	250	325
51	20-29	17	-	-	-	-	17	80	-	-	280
52	20-33	11	-	-	-	-	11	-	-	-	-
53	20L-48	19	-	-	-	-	19	-	80	280	-
54	22-2	3	-	-	3	-	-	70	145	215	290
55	22-5	6	-	-	-	2	4	35	110	250	325
56	22-7	1	1	-	-	-	-	-	-	-	-
57	22-9	3	-	-	-	3	-	70	145	215	290
58	22-10	4	-	-	-	-	4	35	110	250	325
59	22-11	2	-	-	-	-	2	35	110	250	325
60	22-14	19	-	-	-	-	19	80	110	250	280
61	22-15	6	-	-	-	5	1	80	110	250	280
62	22-16	9	-	-	-	3	6	80	110	250	280
63	22-18	8	-	-	-	-	8	80	110	250	280
64	22-19	14	-	-	-	-	14	80	110	250	280
65	22-20	9	-	-	-	-	9	35	110	250	325
66	22-22	4	-	-	4	-	-	-	110	250	-
67	22-23	8	-	-	-	8	-	35	-	250	-
68	22-28	7	-	-	-	7	-	80	-	-	250
69	22-29	7	-	1	-	-	6	80	110	250	280
70	22-33	7	-	-	-	-	7	80	110	250	280
71	22-34	5	-	-	-	3	2	80	110	250	280
72	24-2	7	-	-	-	7	-	80	-	-	280
73	24-4	4	1	-	-	-	3	80	110	250	280
74	24-5	16	-	-	-	-	16	80	110	250	280
75	24-6	8	-	-	-	8	-	80	110	250	280
76	24-7	16	-	-	-	2	14	80	110	250	280
77	24-9	2	-	2	-	-	-	35	110	250	325
78	24-10	7	-	-	7	-	-	80	-	-	280
79	24-11	9	-	-	3	6	-	35	110	250	325
80	24-12	5	-	2	-	3	-	80	110	250	280
81	24-20	11	-	-	-	2	9	80	110	250	280
82	24-21	10	-	-	1	-	9	80	110	250	280
83	24-22	4	-	-	4	-	-	45	110	250	-
84	24-27	7	-	-	-	-	7	80	-	-	280
85	24-28	24	-	-	-	-	24	80	110	250	280
86	24L-58*	13	-	-	3	3	7	-	-	-	-
87	28-3	3	-	-	3	-	-	70	145	215	290
88	28-5	5	-	2	-	1	2	35	110	250	325
89	28-6	3	-	3	-	-	-	70	145	215	290

** ALTERNATE POSITIONS: To avoid mis-mating of similar connectors which may be adjacently mounted, polarisation is achieved with different angular positioning of the insulator within the shell. On the right of the table above is a list of different angular positions for various contact arrangements. Viewed on the front face, plug (male) inserts rotate clockwise, and sockets (female) rotate anti-clockwise.

* Contact Weald Electronics before ordering (non preferred range).

**MG RANGE
INSERT CONFIGURATIONS**

SR. NO.	INSERT NO.	TOTAL CONTACTS	CONTACT SIZE					ALTERNATE INSERT POSITIONS** (DEGREES)			
			#0	#4	#8	#12	#16	W	X	Y	Z
90	28-8	12	-	-	-	2	10	80	110	250	280
91	28-9	12	-	-	-	6	6	80	110	250	280
92	28-10	7	-	2	2	3	-	80	110	250	280
93	28-11	22	-	-	-	4	18	80	110	250	280
94	28-12	26	-	-	-	-	26	90	180	270	-
95	28-13	26	-	-	-	-	26	-	-	-	-
96	28-15	35	-	-	-	-	35	80	110	250	280
97	28-16	20	-	-	-	-	20	80	110	250	280
98	28L-16	9	-	4	-	-	5	-	-	-	-
99	28-18	12	-	-	-	-	12	70	145	215	290
100	28-19	10	-	-	-	4	6	80	110	250	280
101	28-20	14	-	-	-	10	4	80	110	250	280
102	28-21	37	-	-	-	-	37	80	110	250	280
103	28-22	6	-	3	-	-	3	70	145	215	290
104	28-51*	12	-	-	-	12	-	-	-	195	-
105	28L-51	43	-	-	-	-	43	-	-	-	-
106	28L-61	16	-	-	-	16	-	-	-	-	-
107	28L-63	28	-	-	-	9	19	-	100	260	-
108	32-3	9	1	2	-	2	4	80	110	250	280
109	32-4	14	-	-	-	2	12	80	110	250	280
110	32-5	2	2	-	-	-	-	35	110	250	325
111	32-6	23	-	2	3	2	16	80	110	250	280
112	32-7	35	-	-	-	7	28	80	125	235	280
113	32-8	30	-	-	-	6	24	80	125	235	280
114	32-9	14	-	2	-	-	12	80	110	250	280
115	32L-10	54	-	-	-	-	54	-	-	-	-
116	32BL-13*	13	-	-	-	13	-	65	130	230	295
117	32-15	8	2	-	-	6	-	35	110	250	280
118	32-17	4	-	4	-	-	-	45	110	250	-
119	32L-50	5	-	5	-	-	-	-	-	-	-
120	32L-68	16	-	4	-	-	12	-	-	-	-
121	36-5	4	4	-	-	-	-	-	120	240	-
122	36-9	31	-	1	2	14	14	80	125	235	280
123	36-10	48	-	-	-	-	48	80	125	235	280
124	36-14	16	-	-	5	5	6	90	180	270	-
125	36-15	35	-	-	-	-	35	60	125	245	305
126	36L-34	52	-	-	-	-	52	-	-	-	-
127	36L-46	27	-	-	-	27	-	-	-	-	-
128	36-52	52	-	-	-	-	52	72	144	216	288
129	40-1	30	-	-	-	6	24	65	130	235	300
130	40-9	47	-	-	1	22	24	65	125	225	310
131	40BL-35*	35	-	-	-	35	-	70	130	230	290
132	40-56	85	-	-	-	-	85	72	144	216	288
133	44-1	42	-	-	-	6	36	65	125	225	310
134	44-52	104	-	-	-	-	104	-	-	-	-

** ALTERNATE POSITIONS: To avoid mis-mating of similar connectors which may be adjacently mounted, polarisation is achieved with different angular positioning of the insulator within the shell. On the right of the table above is a list of different angular positions for various contact arrangements. Viewed on the front face, plug (male) inserts rotate clockwise, and sockets (female) rotate anti-clockwise.

* Contact Weald Electronics before ordering (non preferred range).

MG RANGE CONTACT ARRANGEMENTS

1

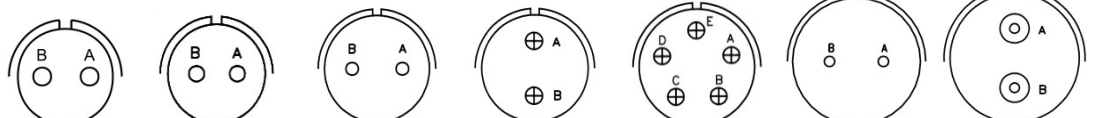


2



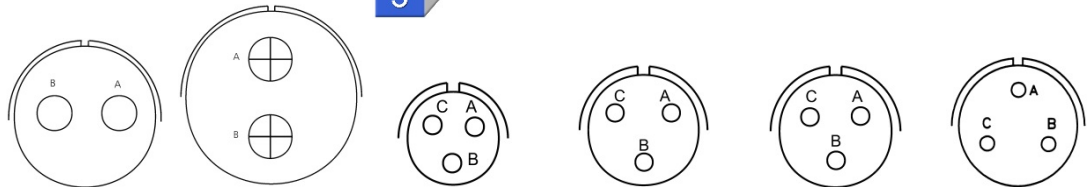
ARRANGEMENT	12-5*	16-12	18-16	20-2	22-7	10SL-4
NO. OF CONTACTS	1	1	1	1	1	2
CONTACT SIZE	12	4	12	0	0	16
SERVICE RATING	D	A	C	D	E	A

2



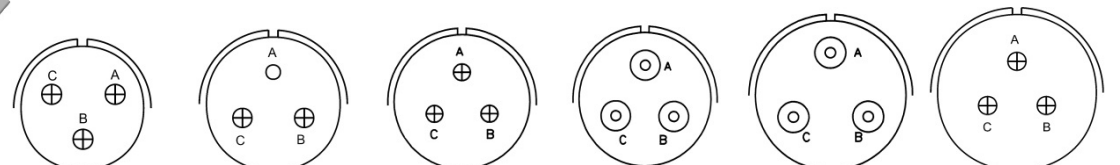
ARRANGEMENT	12S-3	14S-9	16S-4	16-11	18-3	22-11	20-23
NO. OF CONTACTS	2	2	2	2	2	2	2
CONTACT SIZE	16	16	16	12	12	16	8
SERVICE RATING	A	A	D	A	D	B	A

3



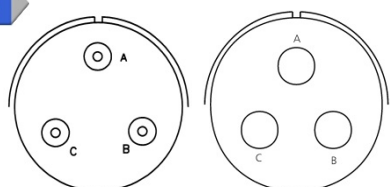
ARRANGEMENT	24-9	32-5	10SL-3	14S-1	14S-7	16S-5
NO. OF CONTACTS	2	2	3	3	3	3
CONTACT SIZE	4	0	16	16	16	16
SERVICE RATING	A	D	A	A	A	A

3



ARRANGEMENT	16-10	18-5	20-3	20-19	22-2	22-9
NO. OF CONTACTS	3	3	3	3	3	3
CONTACT SIZE	12	2-12, 1-16	12	8	8	12
SERVICE RATING	A	D	D	A	D	E

3



4



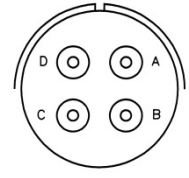
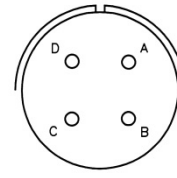
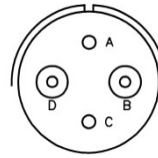
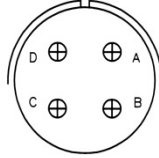
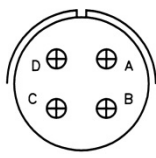
ARRANGEMENT	28-3	28-6	12SP-10	14S-2	16-9	18-4
NO. OF CONTACTS	3	3	4	4	4	4
CONTACT SIZE	8	4	16	16	2-12, 2-16	16
SERVICE RATING	E	D	INST	INST	A	D

CONTACT LEGEND	16 ○	12 ⊕	8 ⊙	4 ○	0 ⊕
----------------	------	------	-----	-----	-----

* Contact Weald Electronics before ordering (non preferred range).

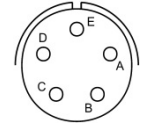
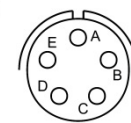
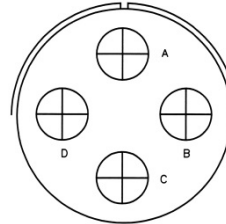
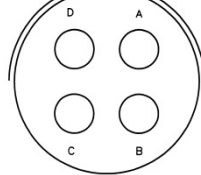
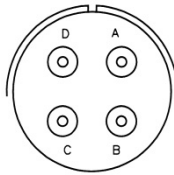
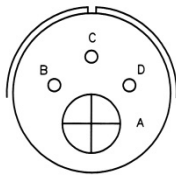
MG RANGE CONTACT ARRANGEMENTS

4



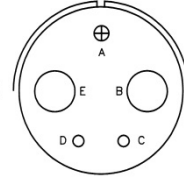
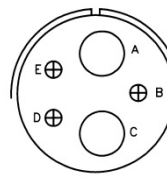
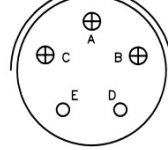
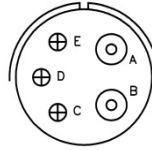
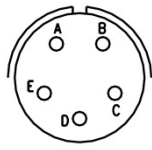
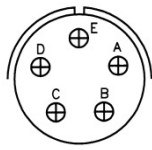
ARRANGEMENT	18-10	20-4	20-24	22-10	22-22
NO. OF CONTACTS	4	4	4	4	4
CONTACT SIZE	12	12	2-8, 2-16	16	8
SERVICE RATING	A	D	A	E	A

4



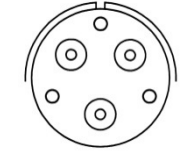
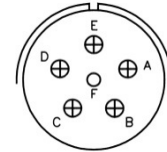
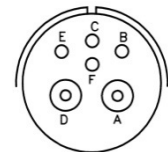
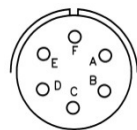
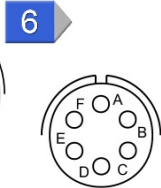
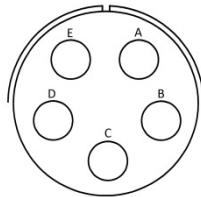
ARRANGEMENT	24-4	24-22	32-17	36-5	14S-5	16S-8
NO. OF CONTACTS	4	4	4	4	5	5
CONTACT SIZE	1-0, 3-16	8	4	0	16	16
SERVICE RATING	D	D	D	A	INST	A

5



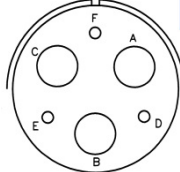
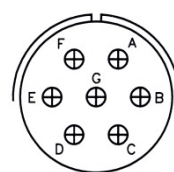
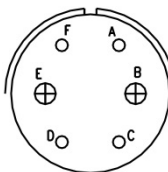
ARRANGEMENT	18-11	18-20	20-14	22-34	24-12	28-5
NO. OF CONTACTS	5	5	5	5	5	5
CONTACT SIZE	12	16	2-8, 3-12	3-12, 2-16	2-4, 3-12	2-4, 1-12, 2-16
SERVICE RATING	A	A	A	D	A	D

5

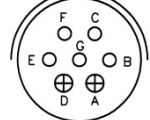
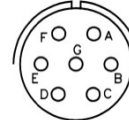
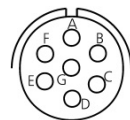


ARRANGEMENT	32L-50	14S-6	18-12	20-8	20-17	20-22
NO. OF CONTACTS	5	6	6	6	6	6
CONTACT SIZE	4	16	16	2-8, 4-16	5-12, 1-16	3-8, 3-16
SERVICE RATING	D	INST	A	INST	A	A

6



7



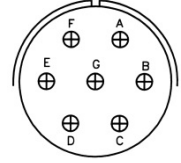
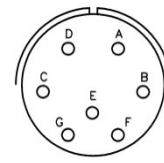
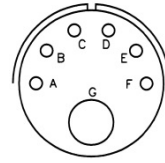
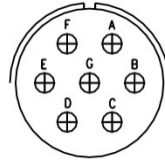
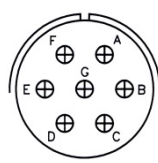
ARRANGEMENT	22-5	22-15	28-22	14SL-61	16S-1	18-9
NO. OF CONTACTS	6	6	6	7	7	7
CONTACT SIZE	2-12, 4-16	5-12, 1-16	3-4, 3-16	16	16	2-12, 5-16
SERVICE RATING	D	D=E, ABCE=A	D	INST	A	INST

CONTACT LEGEND	16 ○	12 ⊕	8 ⊙	4 ○	0 ⊕
----------------	------	------	-----	-----	-----

* Contact Weald Electronics before ordering (non preferred range).

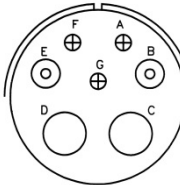
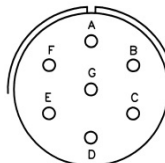
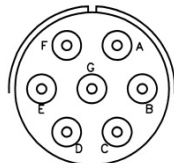
MG RANGE CONTACT ARRANGEMENTS

7

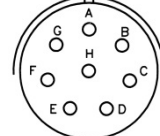
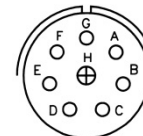


ARRANGEMENT	20-15	22-28	22-29	22-33	24-2
NO. OF CONTACTS	7	7	7	7	7
CONTACT SIZE	12	12	1-4, 6-16	16	12
SERVICE RATING	A	A	A	ABCD=D, EFG=A	D

7

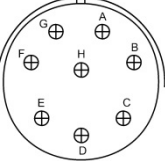
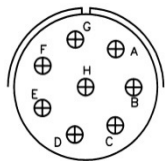
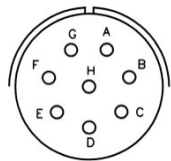


8

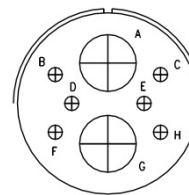


ARRANGEMENT	24-10	24-27	28-10	18-8	20-7
NO. OF CONTACTS	7	7	7	8	8
CONTACT SIZE	8	16	2-4, 2-8, 3-12	1-12, 7-16	16
SERVICE RATING	A	E	G=D, BAL=A	A	ABHG=D, CDEF=A

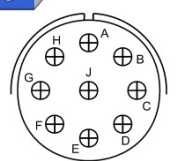
8



9

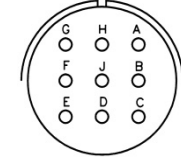
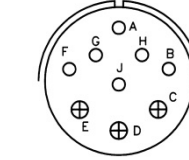
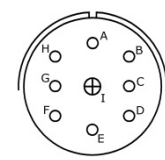
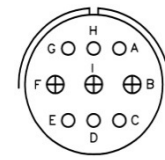
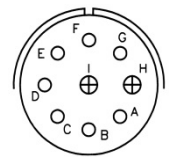


9



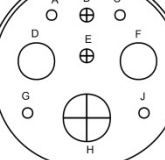
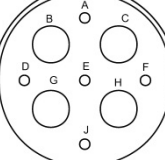
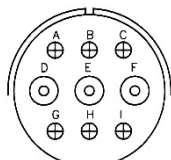
ARRANGEMENT	22-18	22-23	24-6	32-15	20L-9
NO. OF CONTACTS	8	8	8	8	9
CONTACT SIZE	16	12	12	2-0, 6-12	12
SERVICE RATING	ABFGH=D, CDE=A	H=D, BAL=A	AGH=D, BAL=A	D	INST

9

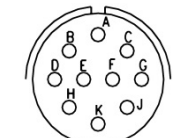
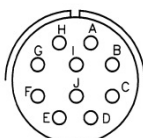


ARRANGEMENT	20-16	20-18	20-21	22-16	22-20
NO. OF CONTACTS	9	9	9	9	9
CONTACT SIZE	2-12, 7-16	3-12, 6-16	1-12, 8-16	3-12, 6-16	16
SERVICE RATING	A	A	A	A	A

9



10



ARRANGEMENT	24-11	28L-16	32-3	18-1	18-19
NO. OF CONTACTS	9	9	9	10	10
CONTACT SIZE	3-8, 6-12	5-16, 4-4	4-16, 2-12, 2-4, 1-0	16	16
SERVICE RATING	A	A	D	BCFG=A, BAL=INST	A

CONTACT LEGEND 16 ⊙ 12 ⊕ 8 ⊗ 4 ○ 0 ⊕

* Contact Weald Electronics before ordering (non preferred range).

MG RANGE CONTACT ARRANGEMENTS

10		11		12	
ARRANGEMENT	24-21	28-19	20-33	24-20	28-8
NO. OF CONTACTS	10	10	11	11	12
CONTACT SIZE	1-8, 9-16	4-12, 6-16	16	9-16, 2-12	2-12, 10-16
SERVICE RATING	D	HM=E, B=D, BAL=A	A	D	LM=E, B=D, BAL=A

12			13		
ARRANGEMENT	28-9	28-18	28-51*	20-11	24L-58*
NO. OF CONTACTS	12	12	12	13	13
CONTACT SIZE	6-12, 6-16	16	12	16	3-8, 3-12, 7-16
SERVICE RATING	D	M=C, GHJKL=D, AB=A, BAL=INST	A	INST	INST

13		14			
ARRANGEMENT	32BL-13*	20-27	22-19	28-20	32-4
NO. OF CONTACTS	13	14	14	14	14
CONTACT SIZE	12	16	16	10-12, 4-16	2-12, 12-16
SERVICE RATING	D	A	A	A	FJKN=A, BAL=D

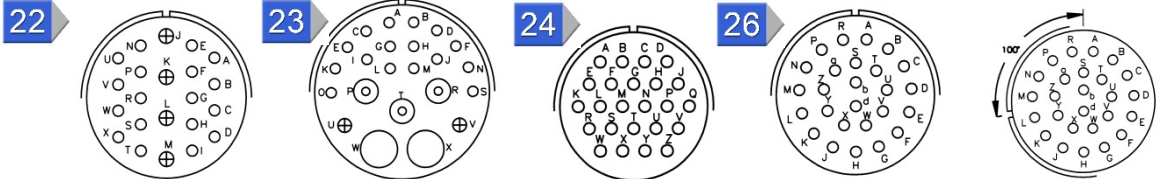
14		16			
ARRANGEMENT	32-9	24-5	24-7	28L-61	32L-68
NO. OF CONTACTS	14	16	16	16	16
CONTACT SIZE	12-16, 2-4	16	2-12, 14-16	12	4-4, 12-16
SERVICE RATING	D	A	A	A	A

16		17		19	
ARRANGEMENT	36-14	20-29	20L-48	22-14	28-16
NO. OF CONTACTS	16	17	19	19	20
CONTACT SIZE	5-8, 5-12, 6-16	16	16	16	16
SERVICE RATING	D	A	INST	A	A

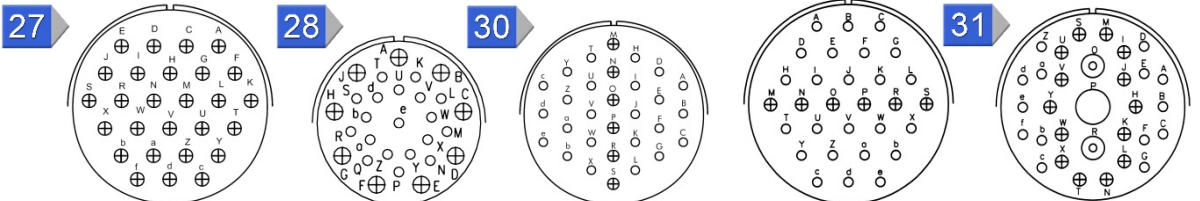
CONTACT LEGEND 16 ○ 12 ⊕ 8 ⊙ 4 ○ 0 ⊕

* Contact Weald Electronics before ordering (non preferred range).

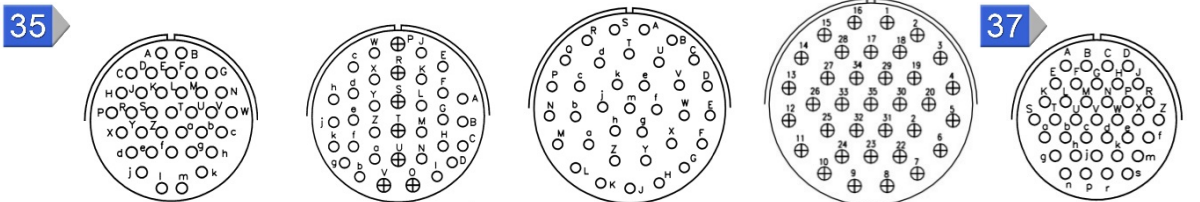
MG RANGE CONTACT ARRANGEMENTS



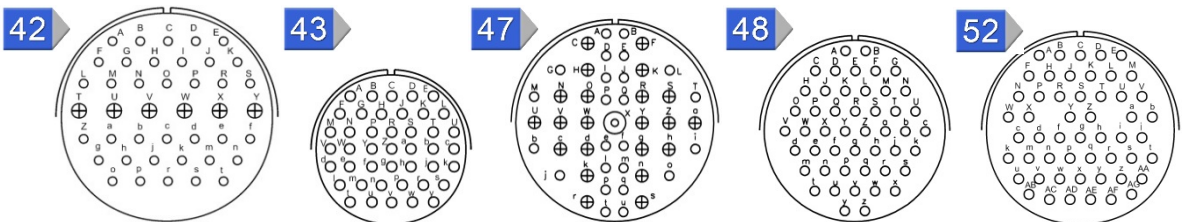
ARRANGEMENT	28-11	32-6	24-28	28-12	28-13
NO. OF CONTACTS	22	23	24	26	26
CONTACT SIZE	4-12, 18-16	2-4, 3-8, 2-12, 16-16	16	16	16
SERVICE RATING	A	A	INST	A	A



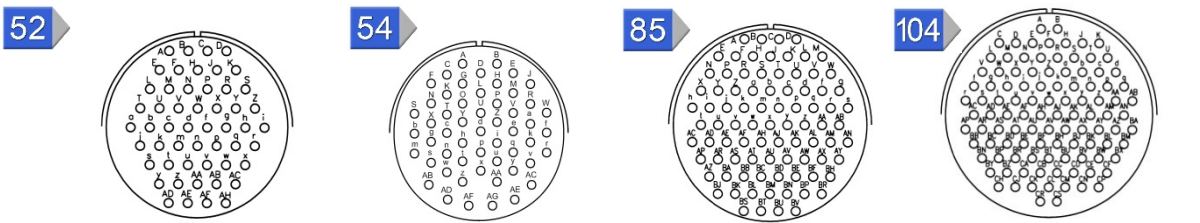
ARRANGEMENT	36L-46	28L-63	32-8	40-1	36-9
NO. OF CONTACTS	27	28	30	30	31
CONTACT SIZE	12	9-12, 19-16	6-12, 24-16	6-12, 24-16	1-4, 2-8, 14-12, 14-16
SERVICE RATING	A	A=e, BAL=INST	A	D	A



ARRANGEMENT	28-15	32-7	36-15	40BL-35*	28-21
NO. OF CONTACTS	35	35	35	35	37
CONTACT SIZE	16	7-12, 28-16	16	12	16
SERVICE RATING	A	ABHi=INST, BAL=A	m=D, BAL=A	D	A



ARRANGEMENT	44-1	28L-51	40-9	36-10	36L-34
NO. OF CONTACTS	42	43	47	48	52
CONTACT SIZE	6-12, 36-16	16	1-8, 22-12, 24-16	16	16
SERVICE RATING	D	A	A	A	A



ARRANGEMENT	36-52	32L-10	40-56	44-52
NO. OF CONTACTS	52	54	85	104
CONTACT SIZE	16	16	16	16
SERVICE RATING	A	A	A	A

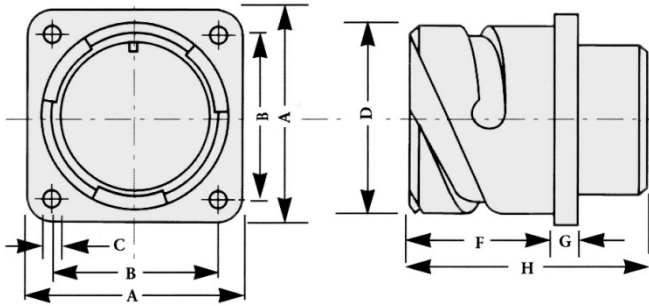
CONTACT LEGEND 16 ○ 12 ⊕ 8 ⊙ 4 ○ 0 ⊕

* Contact Weald Electronics before ordering (non preferred range).

MG RANGE DIMENSIONS

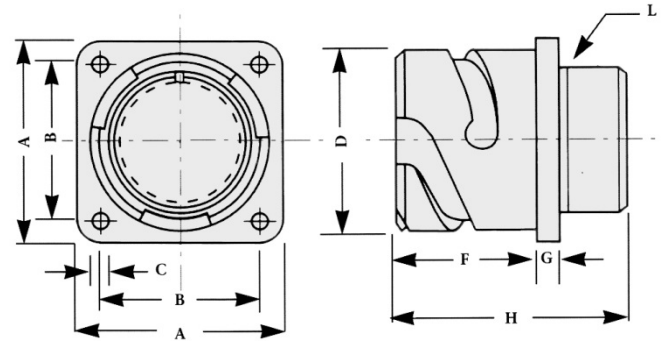
MG 02R

BOX MOUNTING RECEPTACLE FOR FRONT MOUNTING



MG 00T

BOX MOUNTING RECEPTACLE FOR FRONT MOUNTING
WITH BACK SHELL THREAD

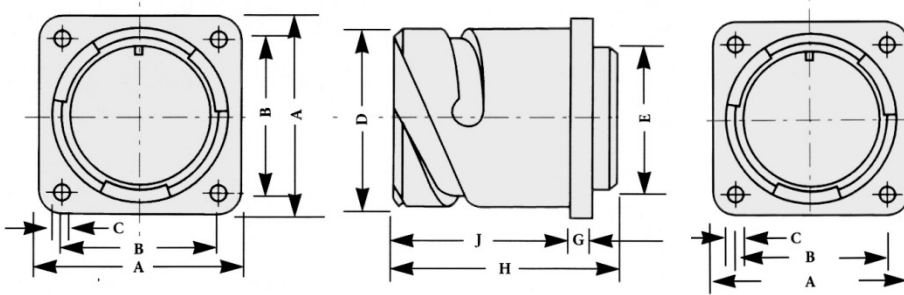


SHELL SIZE	A ±0.3	B ±0.1	C ±0.15	D +0 -0.15	E Max	F +0.4 -0	G ±0.2	H ±0.3	L UNE-F-2A THREAD
10SL	25.4	18.2	3.2	18.2	16.2	14.2	2.8	24.7	5/8" x 24
12SL	28.0	20.6	3.2	21.4	16.0	14.2	3.2	24.7	5/8" x 24
14S	30.0	23.0	3.2	24.6	19.2	14.2	3.2	24.7	3/4" x 20
16S	32.0	24.6	3.2	27.4	22.4	14.2	3.2	24.7	7/8" x 20
16	32.0	24.6	3.2	27.4	22.4	19.0	3.2	33.8	7/8" x 20
18	35.0	27.0	3.2	30.8	25.6	19.0	4.0	33.8	1" x 20
20	38.0	29.4	3.2	34.2	29.0	19.0	4.0	33.8	1 1/8" x 18
22	41.0	31.8	3.2	37.4	32.2	19.0	4.0	33.8	1 1/4" x 18
24	44.5	34.9	3.7	40.9	35.3	20.6	4.0	35.7	1 3/8" x 18
28	50.8	39.7	3.7	46.7	41.4	20.6	4.0	35.7	1 5/8" x 18
32	57.0	44.5	4.3	53.4	47.8	22.2	4.0	37.3	1 7/8"x16UN
36	64.0	49.2	4.3	59.6	54.1	22.2	4.0	37.3	2 1/6"x16UN
40	69.9	55.5	4.3	65.5	59.0	22.2	4.0	37.3	2 5/6"x16UN

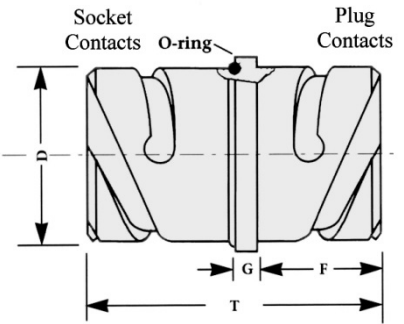
Note: Dimensions are in mm

MG RANGE DIMENSIONS

MG 02R B05
BOX MOUNTING RECEPTACLE FOR REAR MOUNTING



MG TBF
BULKHEAD RECEPTACLE



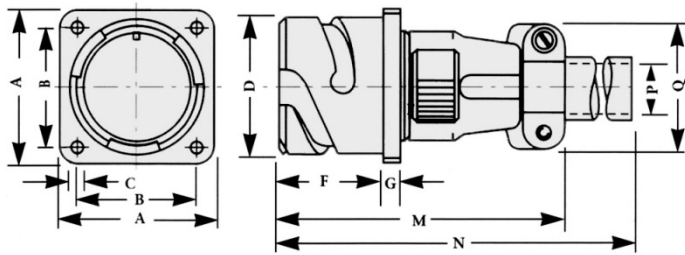
SHELL SIZE	A ±0.3	B ±0.1	C ±0.15	D +0 -0.15	E Max	F ±0.4 -0	G ±0.2	H ±0.3	J ±0.4 -0	T ±0.7
10SL	25.4	18.2	3.2	18.2	16.2	14.2	2.8	24.7	18.2	37.5
12SL	28.0	20.6	3.2	21.4	16.0	14.2	3.2	24.7	18.2	37.5
14S	30.0	23.0	3.2	24.6	19.2	14.2	3.2	24.7	18.2	37.5
16S	32.0	24.6	3.2	27.4	22.4	14.2	3.2	24.7	18.2	37.5
16	32.0	24.6	3.2	27.4	22.4	19.0	3.2	33.8	21.5	51.4
18	35.0	27.0	3.2	30.8	25.6	19.0	4.0	33.8	23.0	51.4
20	38.0	29.4	3.2	34.2	29.0	19.0	4.0	33.8	23.0	51.4
22	41.0	31.8	3.2	37.4	32.2	19.0	4.0	33.8	23.0	51.4
24	44.5	34.9	3.7	40.9	35.3	20.6	4.0	35.7	23.0	51.4
28	50.8	39.7	3.7	46.7	41.4	20.6	4.0	35.7	24.0	51.4
32	57.0	44.5	4.3	53.4	47.8	22.2	4.0	37.3	24.0	51.4
36	64.0	49.2	4.3	59.6	54.1	22.2	4.0	37.3	24.0	51.4
40	69.9	55.5	4.3	65.5	59.0	22.2	4.0	37.3	24.0	51.4

Note: Dimensions are in mm

MG RANGE DIMENSIONS

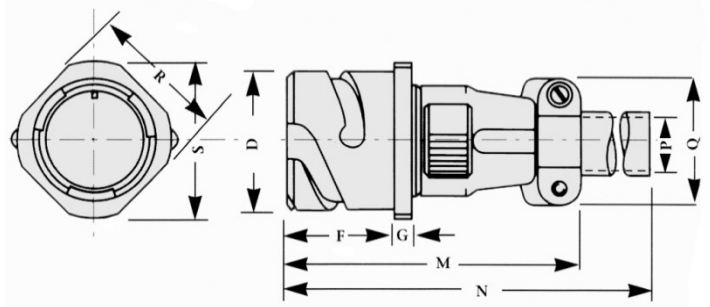
MG 00F

BOX MOUNTING RECEPTACLE FOR FRONT MOUNTING
WITH CABLE CLAMP AND TELESCOPIC BUSHING



MG 01F

CABLE CONNECTING RECEPTACLE WITH CABLE CLAMP
AND TELESCOPIC BUSHING

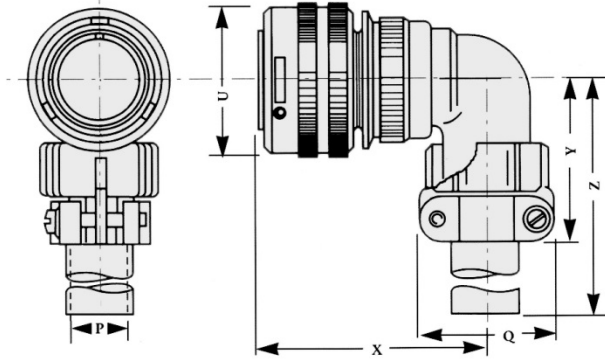


SHELL SIZE	A ±0.3	B ±0.1	C ±0.15	D +0 -0.15	F ±0.4 -0	G ±0.2	M MAX	N MAX	P Cable Entry	Q Max	R ±0.3	S MAX
10SL	25.4	18.2	3.2	18.2	14.2	2.8	60.0	120.0	6.5	23.0	20.6	25.2
12SL	28.0	20.6	3.2	21.4	16.0	14.2	60.0	120.0	6.5	23.0	23.6	27.6
14S	30.0	23.0	3.2	24.6	14.2	3.2	62.0	120.0	9.0	28.0	25.4	29.3
16S	32.0	24.6	3.2	27.4	14.2	3.2	70.0	120.0	11.0	30.5	28.6	32.3
16	32.0	24.6	3.2	27.4	19.0	3.2	70.0	125.0	11.0	30.5	28.6	32.3
18	35.0	27.0	3.2	30.8	19.0	4.0	77.0	125.0	14.2	33.0	31.7	34.8
20	38.0	29.4	3.2	34.2	19.0	4.0	77.0	125.0	15.8	38.1	34.9	37.8
22	41.0	31.8	3.2	37.4	19.0	4.0	77.0	125.0	15.8	38.1	38.1	41.1
24	44.5	34.9	3.7	40.9	20.6	4.0	85.0	125.0	21.4	44.2	41.3	44.6
28	50.8	39.7	3.7	46.7	20.6	4.0	85.0	125.0	21.4	44.2	47.6	50.9
32	57.0	44.5	4.3	53.4	22.2	4.0	85.0	125.0	26.7	52.7	54.0	57.1
36	64.0	49.2	4.3	59.6	22.2	4.0	105.0	135.0	31.7	58.4	60.6	63.6
40	69.9	55.5	4.3	65.5	59.0	22.2	128.0	-	34.9	68.5	66.6	70.0

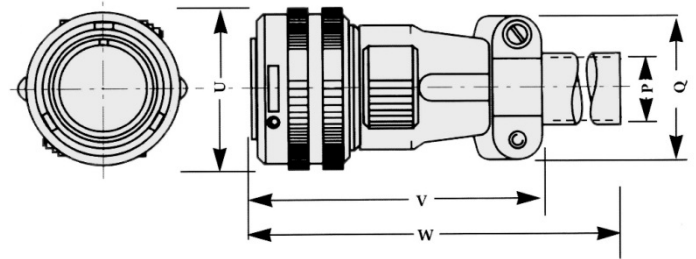
Note: Dimensions are in mm

MG RANGE DIMENSIONS

MG 08F
90° ANGLE CONNECTOR WITH CABLE CLAMP
AND TELESCOPIC BUSHING



MG 06F
STRAIGHT CABLE CONNECTOR WITH CABLE CLAMP
AND TELESCOPIC BUSHING



SHELL SIZE	P Cable Entry	Q Max	U Max	V Max	W Max	X Max	Y Max	Z Max
10SL	6.5	23.0	24.5	55.0	115.0	45.0	42.0	100.0
12SL	6.5	23.0	27.0	55.0	115.0	45.0	42.0	100.0
14S	9.0	28.0	30.5	60.0	115.0	47.0	42.0	100.0
16S	11.0	30.5	33.5	60.0	115.0	48.0	45.0	100.0
16	11.0	30.5	33.5	70.0	120.0	57.0	45.0	100.0
18	14.2	33.0	37.5	75.0	120.0	58.0	53.0	100.0
20	15.8	38.1	40.5	75.0	120.0	61.0	53.0	100.0
22	15.8	38.1	44.0	75.0	120.0	61.0	53.0	100.0
24	21.4	44.2	47.5	90.0	120.0	66.0	58.0	100.0
28	21.4	44.2	53.5	90.0	120.0	66.0	58.0	100.0
32	26.7	52.7	60.0	90.0	120.0	72.0	66.0	110.0
36	31.7	58.4	67.5	100.0	130.0	75.0	69.0	110.0
40	34.9	68.5	72.0	128.0	-	78.0	95.0	110.0

Note: Dimensions are in mm

MG RANGE
PRODUCT SAFETY INFORMATION

These notes are intended to be used in conjunction with the Product Catalogue and Product Specification. Products may be safely used in the applications for which they have been designed and within the specified rating and environments. If products are exposed to conditions outside the performance ratings or specified environments they may constitute a hazard. In particular it should be noted that:-

1. Material Content

Circular Connectors generally use metalwork parts made of brass, aluminium, phosphor-bronze or steel, which, dependant on the particular application, may be passivated and protected with cadmium or zinc plate – in conjunction with chromated or anodised surface finishes. The insulating materials can either be natural or synthetic rubber, together with plastic or glass-filled plastic moulded parts. Contact materials vary but are usually made of brass, phosphor-bronze, alumel or chromel.

2. Electric Shock, Burns and Fire

Hazard can occur if the product is used outside the specified parameters or if the product is damaged, wrongly wired or poorly assembled, or poorly integrated into larger equipments, or contaminated with conductive fluids. Live circuit terminations must be protected and live circuits never broken by disconnecting products.

Hot spots may be created when resistance is increased due to damage or incorrect integration particularly soldering, or loose terminations. Overheating can cause breakdown of insulation, electric shock, burns or, ultimately, fire. In the event of fire noxious and/or toxic fumes may be released and, in these circumstances, any fire involving the product should be dealt with by personnel properly equipped. Connectors with exposed terminations or contacts should not be used on the current supply side of a circuit with exposed contacts on an unmated product. Before making a circuit live, the product and wiring should be checked to ensure there is no electrically conducting debris present. Circuit resistance checks should also be conducted before making the circuit live. Always ensure that connectors are assembled and wired by properly trained personnel.

3. Use, Transport and Storage of Products

Care must be exercised to avoid damage to any part of the products during transporting, storage or use. Abnormal transit or storage conditions and abuse during installation can give rise to damage. Products should not be used in a damaged condition.

Improper storage (particularly of damaged products) can give rise to additional hazards particularly corrosion. Attention is specifically drawn to the need for proper storage of products containing cadmium and you are advised to see the Guidance Note from the Health and safety Executive on Cadmium – Health and Safety Precautions.

4. Disposal of Products

Product should not be burnt.

SAFETY RULES

1. FOLLOW THE GUIDELINES GIVEN.
 2. ALWAYS PROTECT LIVE CIRCUITS AND NEVER DISCONNECT A LIVE CONNECTOR.
 3. NEVER USE A DAMAGED CONNECTOR.
 4. NEVER BURN DISCARDED CONNECTORS.
-