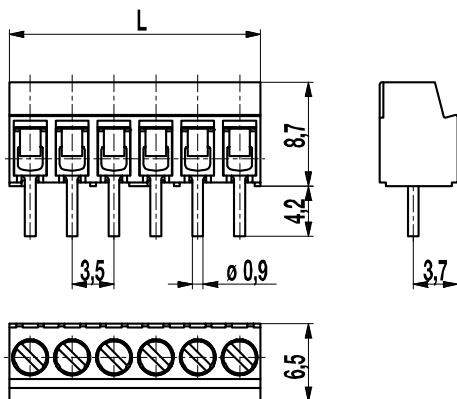
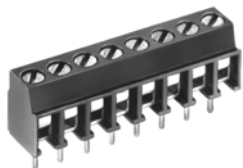


## PCB connector

### 938(-DS)

Screw connection, large conductor space



The PCB connector 938 with a pitch of 3,5 mm is available in 2- to 24-pole design. Compared to the PCB connector 930, it has a larger conductor space.

It can be mounted side-by-side without pole loss, and is equipped with captive screws.

The wire protector of the "DS"-version reliably prevents damage to multi-wire flexible conductors by the turning screw and allows the connection of up to 1.5 mm<sup>2</sup> flexible conductors.

#### Part Numbers

No. of poles	938	938-DS	Length	PU
2	30.870.402	40.870.402	7,00	250
3	30.870.403	40.870.403	10,50	250
4	30.870.404	40.870.404	14,00	250
5	30.870.405	40.870.405	17,50	200
6	30.870.406	40.870.406	21,00	200
7	30.870.407	40.870.407	24,50	100
8	30.870.408	40.870.408	28,00	100
9	30.870.409	40.870.409	31,50	100
10	30.870.410	40.870.410	35,00	100
11	30.870.411	40.870.411	38,50	100
12	30.870.412	40.870.412	42,00	100
13	30.870.413	40.870.413	45,50	100
14	30.870.414	40.870.414	49,00	100
15	30.870.415	40.870.415	52,50	100
16	30.870.416	40.870.416	56,00	100
17	30.870.417	40.870.417	59,50	100
18	30.870.418	40.870.418	63,00	100
19	30.870.419	40.870.419	66,50	100
20	30.870.420	40.870.420	70,00	100
21	30.870.421	40.870.421	73,50	100
22	30.870.422	40.870.422	77,00	100
23	30.870.423	40.870.423	80,50	100
24	30.870.424	40.870.424	84,00	100

#### General Information

Pitch	3,5 mm
No. of poles	2 - 24

#### Technical Data

Clamping Range	<i>solid / flexible / AWG</i>		
	<i>without wire protector</i> 0,75 - 1,5 mm <sup>2</sup> / 0,75 - 1,5 mm <sup>2</sup> / 18 - 16 AWG		
	<i>with wire protector</i> 0,34 - 1,5 mm <sup>2</sup> / 0,34 - 1,5 mm <sup>2</sup> / 22 - 16 AWG		
Rated Cross Section	1 mm <sup>2</sup>		
Wire Stripping Length	5 mm ± 0,5 mm		
Overvoltage Category	III	III	II
Pollution Severity Level	3	2	2
Rated Voltage	160 V	160 V	320 V
Rated Impulse Voltage	2,5 kV	2,5 kV	2,5 kV
Rated Insulation Voltage	130 V acc. to EN 60998-1		
Rated Current	13,5 A		
Hole in PCB	ø 1,2 mm		
Torque	0,2 Nm		

#### Material

Moulding	PA, grey, V-0
Comparative Tracking Index	CTI ≥ 600
Insulating Group	I
Temperature Range	-40°C up to 100°C
Terminal body	Tin plated brass
Screw	M2; zinc plated steel, blue passivated
Solder pin	ø 0,9 mm; tin plated brass
Wire protector	German silver

#### Approvals

	Current	Voltage	Group	AWG	Nm
	10	300	B	26 - 16	0,23
	10	300	B	26 - 16	0,2

#### Options / Accessories

- Consecutive numbering
- Special marking according to drawing
- Self-adhesive marking strip BST-3,50
- Pitch of 7 mm for larger clearance and creepage distances