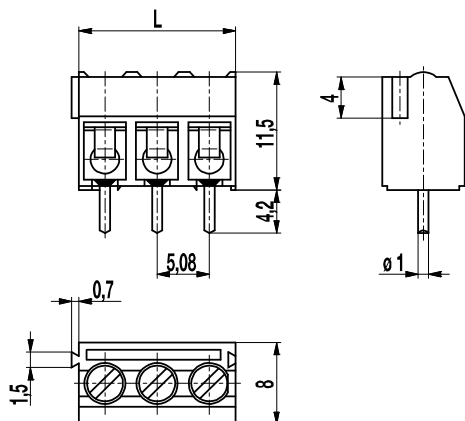
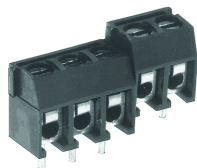


## PCB connector

### 940-T(-DS)

Screw connection, interlocking



The PCB connector 940-T with a pitch of 5,08 mm is available with 2 and 3 poles and can be mounted side-by-side without pole loss.

Lateral latching elements on the housing allow to latch the PCB connector to longer terminal strips without pole loss.

Wire protection in DS-design reliably prevents damage to stranded wires by the screw.

The screws are secured against self-loosening.

#### Part Numbers

| No. of poles | 940-T      | 940-T-DS   | Length | PU  |
|--------------|------------|------------|--------|-----|
| 2            | 10.877.602 | 20.877.602 | 10,16  | 250 |
| 3            | 10.877.603 | 20.877.603 | 15,24  | 250 |

#### General Information

|              |         |
|--------------|---------|
| Pitch        | 5,08 mm |
| No. of poles | 2 + 3   |

#### Technical Data

|                               |   |       |       |
|-------------------------------|---|-------|-------|
| Clamping Range                | <i>solid / flexible / AWG</i>   |       |       |
| <i>without wire protector</i> | 0,75 - 4 mm <sup>2</sup> / 0,75 - 2,5 mm <sup>2</sup> / 18 - 12 AWG   |       |       |
| <i>with wire protector</i>    | 0,34 - 2,5 mm <sup>2</sup> / 0,34 - 2,5 mm <sup>2</sup> / 22 - 14 AWG |       |       |
| Rated Cross Section           | 1,5 mm <sup>2</sup>   |       |       |
| Wire Stripping Length         | 6 mm ± 0,5 mm   |       |       |
| Overvoltage Category          | III   | III   | II    |
| Pollution Severity Level      | 3   | 2     | 2     |
| Rated Voltage                 | 250 V   | 320 V | 630 V |
| Rated Impulse Voltage         | 4 kV  | 4 kV  | 4 kV  |
| Rated Insulation Voltage      | 250 V acc. to EN 60998-1  |       |       |
| Rated Current                 | 17,5 A  |       |       |
| Hole in PCB                   | ø 1,3 mm  |       |       |
| Torque                        | 0,4 Nm  |       |       |

#### Material

|                            |  |
|----------------------------|--|
| Moulding                   | PA, grey, V-0                            |
| Comparative Tracking Index | CTI = 600                                |
| Insulating Group           | I  |
| Temperature Range          | -40°C up to 100°C                        |
| Terminal body              | Tin plated brass                         |
| Screw                      | M2,6; zinc plated steel, blue passivated |
| Solder pin                 | ø 1 mm; tin plated copper alloy          |
| Wire protector             | Tin plated tin bronze                    |

#### Approvals

|  | Current | Voltage | Group           | AWG     | Nm  |
|--|---------|---------|-----------------|---------|-----|
|  | 15      | 300     | B               | 26 - 14 | 0,4 |
|  | 15      | 300     | B               | 26 - 14 | 0,4 |
|  | Current | Voltage | mm <sup>2</sup> |         |     |
|  | 17,5    | 250     | 1,5             |         |     |

#### Options / Accessories

- Consecutive numbering
- Special marking according to drawing
- Self-adhesive marking strip BST-5,08
- Longer solder pins up to 75 mm
- Version up to 8 poles