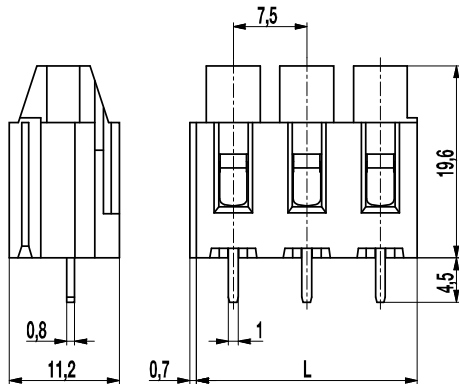


## PCB connector

### 152-A-211

Screw connection, interlocking, with test pick-off



The PCB connector 152-A-211 with a pitch of 7,5 mm is available with 2 or 3 poles.

Due to the ample terminal space and the lift system, this PCB connector is particularly user-friendly. Optimum wire protection is guaranteed even after several disconnections of one or multiple wires.

Due to their large clearance and creepage distances, these PCB connectors are particularly suitable for higher voltages.

Lateral latching elements on the housing allow to latch the PCB connector to longer terminal strips without pole loss.

The wire entrance is parallel to the PCB.

The screws are captive.

This PCB connector features one test pick-off per pole.

#### Part Numbers

No. of poles	152-A-211	Length	PU
2	10.801.702	15,00	200
3	10.801.703	22,50	100

#### General Information

Pitch	7,5 mm
No. of poles	2 + 3

#### Technical Data

Clamping Range	<i>solid / flexible / AWG</i>		
	0,14 - 4 mm <sup>2</sup> / 0,14 - 2,5 mm <sup>2</sup> / 26 - 14 AWG		
Rated Cross Section	2,5 mm <sup>2</sup>		
Wire Stripping Length	7,5 mm ± 0,5 mm		
Overvoltage Category	III	III	II
Pollution Severity Level	3	2	2
Rated Voltage	400 V	630 V	1000 V
Rated Impulse Voltage	6 kV	6 kV	6 kV
Rated Insulation Voltage	750 V acc. to EN 60998-1		
Rated Current	24 A		
Hole in PCB	ø 1,3 mm		
Torque	0,5 Nm		

#### Material

Moulding	PA, grey, V-0
Comparative Tracking Index	CTI = 600
Insulating Group	I
Temperature Range	-40°C up to 100°C
Terminal body	Nickel plated brass
Pressure clamp	Copper alloy, tin plated
Screw	M3; zinc plated steel, blue passivated
Solder pin	1,0 x 0,8 mm; copper alloy, tin plated

#### Approvals

	Current	Voltage	Group	AWG	Nm
	20 [1]	300	B	22-10 [2]	0,51
	10	300	D	22-10 [2]	0,51
	20	300	B	26 - 10	0,51
	10	300	D, E	26 - 10	0,51

[1] 20 A max for factory-wiring only

[2] Wire sizes No. 26 - 24 AWG for factory-wiring only

#### Options / Accessories

- Consecutive numbering
- Special marking according to drawing
- Self-adhesive marking strip BST-7,50
- Version with empty poles
- Connected to larger number of poles