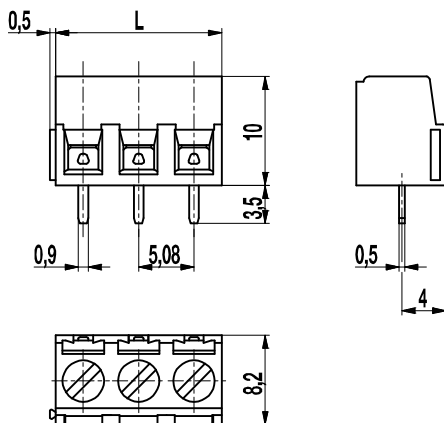
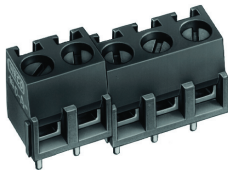


## PCB connector

### 141-A-111

Screw connection, interlocking



The PCB connector 141-A-111 with lift system is designed as one-tier basic version with a pitch of 5,08 mm and available in 2 and 3 pole design.

Lateral latching elements on the housing allow to latch the PCB connector to longer terminal rows without pole loss. The wire entrance is parallel to the PCB. The screws are captive.

### Part Numbers

No. of poles	141-A-111	Length	Pcs
2	10.801.302	10,16	250
3	10.801.303	15,24	250

### General Information

Pitch	5,08 mm
No. of poles	2 + 3

### Technical Data

Clamping Range	<i>solid / flexible / AWG</i> 0,14 - 2,5 mm <sup>2</sup> / 0,14 - 1,5 mm <sup>2</sup> / 26 - 14 AWG		
Rated Cross Section	1,5 mm <sup>2</sup>		
Wire Stripping Length	6 mm ± 0,5 mm		
Overvoltage Category	III	III	II
Pollution Severity Level	3	2	2
Rated Voltage	200 V	320 V	500 V
Rated Impulse Voltage	4 kV	4 kV	4 kV
Rated Insulation Voltage	250 V acc. to EN 60998-1		
Rated Current	16 A		
Hole in PCB	ø 1,2 mm		
Torque	0,5 Nm		

### Material

Moulding	PA, grey, V-0
Comparative Tracking Index	CTI ≥ 600
Insulating Group	I
Temperature Range	-40°C up to 100°C
Terminal body	Nickel plated brass
Pressure clamp	Tin plated tin bronze
Screw	M3; zinc plated steel, blue passivated
Solder pin	0,9 x 0,5 mm; tin plated tin bronze

### Approvals

	Current	Voltage	Group	AWG	Nm
	10 [1]	300	B, D	30 - 14	0,51
	15	300	B	30 - 14	0,51

[1] 20 A max for factory-wiring applications only

### Options / Accessories

- Consecutive numbering
- Special marking according to drawing
- Self-adhesive marking strip BST-5,08
- Pitch of 10,16 mm for larger clearance and creepage distances