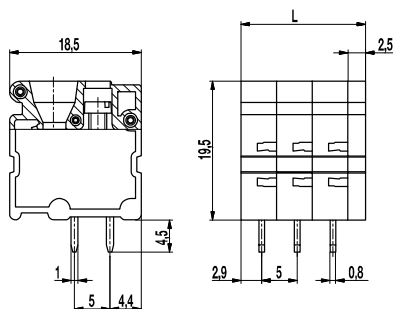


PCB connector

180-A-121

Screw connection, wire entrance vertical to PCB



The PCB connector 180-A-121 features parallel entry for both conductor and screwdriver. It can also be used as printed circuit board termination with front panel penetration.

These PCB connectors are available in 5 mm pitch with up to 12 poles, but they can also be plugged together as longer terminal strips. Each pole has a double solder termination with 5 mm pin spacing. The wire entrance is vertical to the PCB.

Part Numbers

No. of poles	180-A-121	Length	Pcs
1	11.819.001	7,50	500
2	12.819.001	12,50	250
3	13.819.001	17,50	250
4	14.819.001	22,50	100
5	15.819.001	27,50	50
6	16.819.001	32,50	50
7	17.819.001	37,50	50
8	18.819.001	42,50	50
9	19.819.001	47,50	50
10	20.819.001	52,50	25
11	21.819.001	57,50	25
12	22.819.001	62,50	25

further number of poles on request

General Information

Pitch	5 mm
No. of poles	1 - 12
Areas of application	Particularly suitable for confined mounting space or only single-sided access.

Technical Data

Clamping Range	solid / flexible / AWG 0,14 - 4 mm ² / 0,14 - 2,5 mm ² / 26 - 12 AWG		
Rated Cross Section	2,5 mm ²		
Wire Stripping Length	9 mm ± 0,5 mm		
Overvoltage Category	III	III	II
Pollution Severity Level	3	2	2
Rated Voltage	320 V	320 V	630 V
Rated Impulse Voltage	4 kV	4 kV	4 kV
Rated Insulation Voltage	450 V acc. to EN 60998-1		
Rated Current	24 A		
Hole in PCB	ø 1,4 mm		
Torque	0,4 Nm		

Material

Moulding	PA, grey, V-0
Comparative Tracking Index	CTI ≥ 600
Insulating Group	I
Temperature Range	-40°C up to 100°C
Pressure clamp	Tin plated copper
Screw	M2,5; zinc plated steel, blue passivated
Solder pin	1,0 x 0,8 mm; tin plated copper
Terminal body	Zinc plated steel, blue passivated
Pressure plate	Brass, bright

Approvals

	Current	Voltage	Group	AWG	Nm
	20	300	B	24 - 12	0,4
	10	300	D	24 - 12	0,4
	20	300	B	24 - 12	0,4
	10	300	D, E	24 - 12	0,4

Options / Accessories

- Consecutive numbering
- Special marking according to drawing
- Self-adhesive marking strip BST-5,00
- Connected to larger number of poles