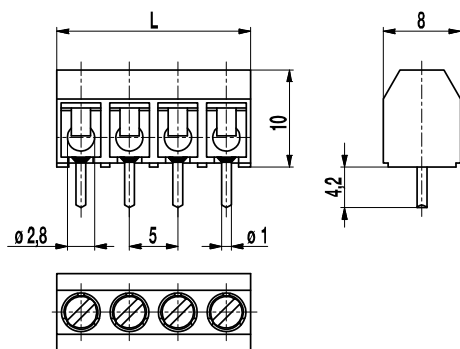


PCB connector 950(-DS) Screw connection



PCB connectors 950 with a pitch of 5 mm are available in 2- to 32-pole design and can be mounted side-by-side without pole loss.

Wire protection in DS-design reliably prevents damage to stranded wires by the screw.
The screws are secured against self-loosening.

Part Numbers

No. of poles	950	950-DS	Length	PU
2	10.871.006	20.871.006	10,00	250
3	10.871.053	20.871.053	15,00	250
4	10.871.054	20.871.054	20,00	100
5	10.871.055	20.871.055	25,00	100
6	10.871.056	20.871.056	30,00	100
7	10.871.001	20.871.001	35,00	100
8	10.871.008	20.871.008	40,00	100
9	10.871.009	20.871.009	45,00	100
10	10.871.010	20.871.010	50,00	100
11	10.871.011	20.871.011	55,00	100
12	10.871.062	20.871.062	60,00	100
13	10.871.063	20.871.063	65,00	100
14	10.871.064	20.871.064	70,00	100
15	10.871.065	20.871.065	75,00	100
16	10.871.066	20.871.066	80,00	100
17	10.871.067	20.871.067	85,00	100
18	10.871.068	20.871.068	90,00	100
19	10.871.069	20.871.069	95,00	100
20	10.871.070	20.871.070	100,00	100
21	10.871.071	20.871.071	105,00	100
22	10.871.072	20.871.072	110,00	100
23	10.871.073	20.871.073	115,00	100
24	10.871.074	20.871.074	120,00	100
25	10.871.075	20.871.075	125,00	100
26	10.871.076	20.871.076	130,00	100
27	10.871.077	20.871.077	135,00	100
28	10.871.078	20.871.078	140,00	100
29	10.871.079	20.871.079	145,00	100
30	10.871.080	20.871.080	150,00	100
31	10.871.061	20.871.061	155,00	100
32	10.871.052	20.871.052	160,00	100

General Information

Pitch	5 mm
No. of poles	2 - 32

Technical Data

Clamping Range	<i>solid / flexible / AWG</i>		
<i>without wire protector</i>	0,75 - 4 mm ² / 0,75 - 2,5 mm ² / 18 - 12 AWG		
<i>with wire protector</i>	0,34 - 2,5 mm ² / 0,34 - 2,5 mm ² / 22 - 14 AWG		
Rated Cross Section	1,5 mm ²		
Wire Stripping Length	6 mm ± 0,5 mm		
Overvoltage Category	III	III	II
Pollution Severity Level	3	2	2
Rated Voltage	160 V	160 V	320 V
Rated Impulse Voltage	2,5 kV	2,5 kV	2,5 kV
Rated Insulation Voltage	130 V acc. to EN 60998-1		
Rated Current	17,5 A		
Hole in PCB	ø 1,3 mm		
Torque	0,4 Nm		
Other specifications	2-8 poles types: "no-flame" acc. to glow-wire test		

Material

Moulding	PA, grey, V-0
Comparative Tracking Index	2-8 poles: CTI ≥ 600; 9-32 poles: CTI 400
Insulating Group	2-8 poles: I; 9-32 poles: II
Temperature Range	-40°C up to 100°C
Terminal body	Tin plated brass
Screw	M2,6; zinc plated steel, blue passivated
Solder pin	ø 1 mm; tin plated copper alloy
Wire protector	Tin plated tin bronze

Approvals

	Current	Voltage	Group	AWG	Nm
	15	300	B	26 - 14	0,4
	15	300	B	26 - 14	0,4
	Current	Voltage	mm ²		
	17,5	250	1,5		

Options / Accessories

- Consecutive numbering
- Special marking according to drawing
- Self-adhesive marking strip BST-5,00
- Longer solder pins up to 75 mm