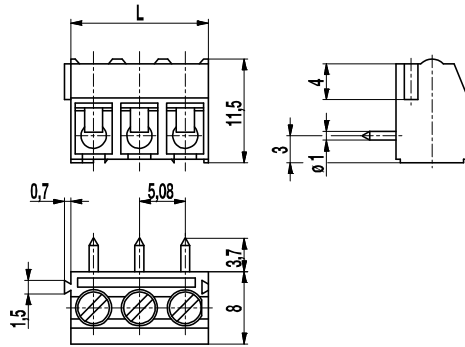


PCB connector

941-T(-DS)

Screw connection, wire entrance vertical to PCB, interlocking



The PCB connector 941-T is the horizontal version of 940-T with a pitch of 5,08 mm and available in 2 and 3 poles. It can be mounted side-by-side without pole loss.

Lateral latching elements on the housing allow to latch the PCB connector to longer terminal strips without pole loss.
The wire entrance is vertical to the PCB.

Wire protection in DS-design reliably prevents damage to stranded wires by the screw.
The screws are secured against self-loosening.

Part Numbers

No. of poles	941-T	941-T-DS	Length	Pcs
2	10.877.612	20.877.612	10,16	250
3	10.877.613	20.877.613	15,24	250

General Information

Pitch	5,08 mm
No. of poles	2 + 3

Technical Data

Clamping Range	<i>solid / flexible / AWG</i>		
<i>without wire protector</i>	0,75 - 4 mm ² / 0,75 - 2,5 mm ² / 18 - 12 AWG		
<i>with wire protector</i>	0,34 - 2,5 mm ² / 0,34 - 2,5 mm ² / 22 - 14 AWG		
Rated Cross Section	1,5 mm ²		
Wire Stripping Length	5 mm ± 0,5 mm		
Overvoltage Category	III	III	II
Pollution Severity Level	3	2	2
Rated Voltage	160 V	160 V	320 V
Rated Impulse Voltage	2,5 kV	2,5 kV	2,5 kV
Rated Insulation Voltage	130 V acc. to EN 60998-1		
Rated Current	17,5 A		
Hole in PCB	ø 1,3 mm		
Torque	0,4 Nm		

Material

Moulding	PA, grey, V-0
Comparative Tracking Index	CTI ≥ 600
Insulating Group	I
Temperature Range	-40°C up to 100°C
Terminal body	Tin plated brass
Screw	M2,6; zinc plated steel, blue passivated
Solder pin	ø 1 mm; tin plated brass
Wire protector	Tin plated tin bronze

Approvals

	Current	Voltage	Group	AWG	Nm
	15	300	B	26 - 14	0,4
	15	300	B	26 - 14	0,4
	Current	Voltage	mm ²		
	17,5	250	1,5		

Options / Accessories

- Consecutive numbering
- Special marking according to drawing
- Self-adhesive marking strip BST-5,08
- Version up to 8 poles