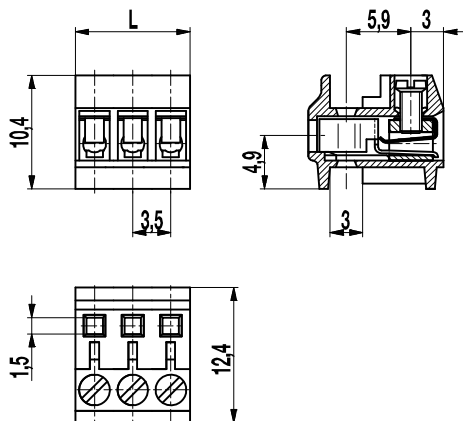


## Plug connector 930-FL(-DS) Screw connection



The plug connector 930-FL is designed for the insertion of pin strips 931-SLR-THR-1,1 or 931-SLR-SMD-1,1 both from the top and the bottom.

The possibility to plug from either side allows mounting in reverse order: the plug connector can be pre-assembled in a housing and then the PC board can be slotted in from above. When using pin strips with extra-long pins (available upon request), two plug connectors can be mounted one on top of the other (stacked) thus achieving a parallel connection.

### Part Numbers

No. of poles	930-FL	930-FL-DS	Length	PU
2	10.870.302	20.870.302	7,00	250
3	10.870.303	20.870.303	10,50	250
4	10.870.304	20.870.304	14,00	250
5	10.870.305	20.870.305	17,50	100
6	10.870.306	20.870.306	21,00	100
7	10.870.307	20.870.307	24,50	100
8	10.870.308	20.870.308	28,00	100
9	10.870.309	20.870.309	31,50	100
10	10.870.310	20.870.310	35,00	100
11	10.870.311	20.870.311	38,50	100
12	10.870.312	20.870.312	42,00	100
13	10.870.313	20.870.313	45,50	50
14	10.870.314	20.870.314	49,00	50
15	10.870.315	20.870.315	52,50	50
16	10.870.316	20.870.316	56,00	50
17	10.870.317	20.870.317	59,50	50
18	10.870.318	20.870.318	63,00	50
19	10.870.319	20.870.319	66,50	50
20	10.870.320	20.870.320	70,00	50
21	10.870.321	20.870.321	73,50	50
22	10.870.322	20.870.322	77,00	50
23	10.870.323	20.870.323	80,50	50
24	10.870.324	20.870.324	84,00	50

### General Information

Pitch	3,5 mm
No. of poles	2 - 24
Usable with	pin strip 931-SLR-THR-1,1; 931-SLR-SMD-1,1; tab connector 931-FST



### Technical Data

Clamping Range	<i>solid / flexible / AWG</i>		
<i>without wire protector</i>	0,34 - 1,5 mm <sup>2</sup> / 0,34 - 1 mm <sup>2</sup> / 22 - 18 AWG		
<i>with wire protector</i>	0,14 - 0,75 mm <sup>2</sup> / 0,14 - 0,75 mm <sup>2</sup> / 26 - 20 AWG		
Rated Cross Section	0,75 mm <sup>2</sup>		
Wire Stripping Length	5 mm ± 0,5 mm		
Overvoltage Category	III	III	II
Pollution Severity Level	3	2	2
Rated Voltage	160 V	160 V	320 V
Rated Impulse Voltage	2,5 kV	2,5 kV	2,5 kV
Rated Insulation Voltage	130 V acc. to EN 60998-1		
Rated Current	6 A		
Torque	0,2 Nm		

### Material

Moulding	PA, grey, V-0
Comparative Tracking Index	CTI ≥ 600
Insulating Group	I
Temperature Range	-40°C up to 100°C
Terminal body	Nickle plated brass
Screw	M2; zinc plated steel, blue passivated.
Wire protector	German silver
Spring	Tin plated tin bronze

### Approvals

	Current	Voltage	Group	AWG	Nm
	6	300	B	30 - 18	0,23
	6	300	B	30 - 18	0,2

### Options / Accessories

- Consecutive numbering
- Special marking according to drawing
- Self-adhesive marking strip BST-3,50
- Pitch of 7 mm for larger clearance and creepage distances