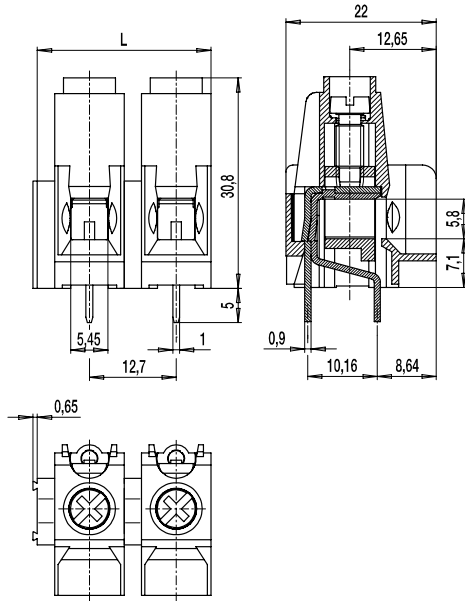


PCB connector

159-A-211

Screw connection, tall version, extended wire entrance



Series 159-A is particularly designed for high voltages and strong currents. A terminal space for solid wires of up to 16 mm² or for flexible wires of up to 10 mm² is characteristic for this series. Two solder pins per pole ensure safe connection to the PCB.

Series 159-A is a tall version in 12.7 mm pitch. As the low version, it is suitable for voltages of up to 1000 V. Due to its extended wire entrance, it is particularly shock-proof and easy to assemble.

Unlimited UL-approval (UL1059, general industrial, Group C) for 600 V facilitates design approval. This series is suitable for field wiring applications according to UL508C.

Part Numbers

No. of poles	159-A-211	Length	PU
2	12.801.904	25,40	50
3	13.801.904	38,10	50
4	14.801.904	50,80	50
5	15.801.904	63,50	50

further number of poles on request

General Information

Pitch	12,7 mm
No. of poles	2 - 12
Usable with	159-A-111, 158-A-111 and 158-A-211, mountable side-by-side to any series connector
Areas of application	Power electronics, in particular for drives with frequency converters, and also for power supplies and charging units.
Additional Information	Hole for \varnothing 2 mm test plug

Technical Data

Clamping Range	solid / flexible / AWG 0,5 - 16 mm ² / 0,5 - 10 mm ² / 20 - 6 AWG		
Rated Cross Section	10 mm ²		
Wire Stripping Length	10,5 mm \pm 1 mm		
Overvoltage Category	III	III	II
Pollution Severity Level	3	2	2
Rated Voltage	1000 V	1000 V	1000 V
Rated Impulse Voltage	8 kV	8 kV	6 kV
Rated Current	57 A		
Hole in PCB	\varnothing 1,5 mm		
Torque	1,2 Nm		
Other specifications	Maximum current/cross-section 76 A / 16 mm ² , stranded wire		

Material

Moulding	PA, grey, V-0
Comparative Tracking Index	CTI \geq 600
Insulating Group	I
Temperature Range	-40°C up to 100°C
Terminal body	Nickel plated brass
Pressure clamp	Tin plated copper
Screw	Plus-minus, M4; zinc plated steel, blue passivated
Solder pin	Tin plated copper

Approvals

	Current	Voltage	Group	AWG	Nm
cUL [®] US	60	600	B, C	20 - 6	1,3
	5	600	D	20 - 6	1,3
	Current	Voltage	mm ²		
	57	1000 [1]	2,5 - 10		

[1] Marks approval acc. to DIN EN 60947-7-4

Options / Accessories

- Consecutive numbering
- Special marking according to drawing