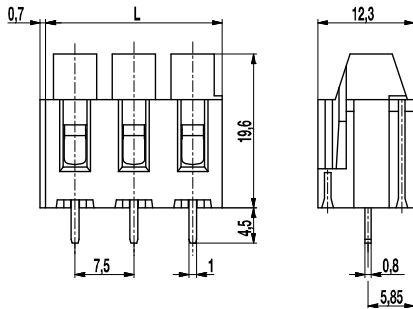


PCB connector

152-A-111

Screw connection, interlocking, with test holes



The PCB connector 152-A-111 with a pitch of 7,5 mm is available with 2 or 3 poles.

Due to the ample terminal space and the lift system, this PCB connector is particularly user-friendly. Optimum wire protection is guaranteed even after several disconnections of one or multiple wires.

Due to their large clearance and creepage distances, these PCB connectors are particularly suitable for higher voltages.

Lateral latching elements on the housing allow to latch the PCB connector to longer terminal strips without pole loss.

The wire entrance is parallel to the PCB.

The screws are captive.

This PCB connector has test holes for \varnothing 2.3 mm test plugs.

Part Numbers

No. of poles	152-A-111	Length	PU
2	10.801.762	15,00	200
3	10.801.763	22,50	100

General Information

Pitch	7,5 mm
No. of poles	2 + 3

Technical Data

Clamping Range	<i>solid / flexible / AWG</i>		
	0,14 - 4 mm ² / 0,14 - 2,5 mm ² / 26 - 14 AWG		
Rated Cross Section	2,5 mm ²		
Wire Stripping Length	7,5 mm \pm 0,5 mm		
Overvoltage Category	III	III	II
Pollution Severity Level	3	2	2
Rated Voltage	400 V	630 V	1000 V
Rated Impulse Voltage	6 kV	6 kV	6 kV
Rated Insulation Voltage	750 V acc. to EN 60998-1		
Rated Current	24 A		
Hole in PCB	\varnothing 1,3 mm		
Torque	0,5 Nm		

Material

Moulding	PA, grey, V-0		
Comparative Tracking Index	CTI = 600		
Insulating Group	I		
Temperature Range	-40°C up to 100°C		
Terminal body	Nickel plated brass		
Pressure clamp	Copper alloy, tin plated		
Screw	M3; zinc plated steel, blue passivated		
Solder pin	1,0 x 0,8 mm; copper alloy, tin plated		

Approvals

	Current	Voltage	Group	AWG	Nm
	20 [1]	300	B	22-10 [2]	0,51
	10	300	D	22-10 [2]	0,51
	20	300	B	26 - 10	0,51
	10	300	D, E	26 - 10	0,51

[1] 20 A max for factory-wiring only

[2] Wire sizes No. 26 - 24 AWG for factory-wiring only

Options / Accessories

- Consecutive numbering
- Special marking according to drawing
- Self-adhesive marking strip BST-7,50
- Version with empty poles
- Connected to larger number of poles