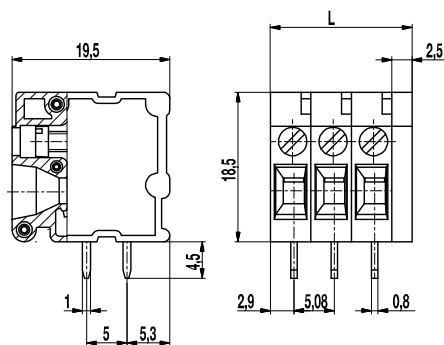


## PCB connector

### 181-A-111

Screw connection



The PCB connector 181-A-111 features parallel entry for both conductor and screwdriver. It can also be used as printed circuit board termination with front panel penetration.

These PCB connectors are available in 5.08 mm pitch with up to 12 poles, but they can also be plugged together as longer terminal strips.

Each pole has a double solder termination with 5 mm pin spacing. The wire entrance is parallel to the PCB.

#### Part Numbers

No. of poles	181-A-111	Length	Pcs
1	11.819.052	7,58	500
2	12.819.052	12,66	250
3	13.819.052	17,74	250
4	14.819.052	22,82	100
5	15.819.052	27,90	50
6	16.819.052	32,98	50
7	17.819.052	38,06	50
8	18.819.052	43,14	50
9	19.819.052	48,22	50
10	20.819.052	53,30	25
11	21.819.052	58,38	25
12	22.819.052	63,46	25

further number of poles on request

#### General Information

Pitch	5,08 mm
No. of poles	1 - 12
Areas of application	Particularly suitable for confined mounting space or only single-sided access.



#### Technical Data

Clamping Range	<i>solid / flexible / AWG</i> 0,14 - 4 mm <sup>2</sup> / 0,14 - 2,5 mm <sup>2</sup> / 26 - 12 AWG		
Rated Cross Section	2,5 mm <sup>2</sup>		
Wire Stripping Length	9 mm ± 0,5 mm		
Overvoltage Category	III	III	II
Pollution Severity Level	3	2	2
Rated Voltage	320 V	320 V	630 V
Rated Impulse Voltage	4 kV	4 kV	4 kV
Rated Insulation Voltage	450 V acc. to EN 60998-1		
Rated Current	24 A		
Hole in PCB	ø 1,4 mm		
Torque	0,4 Nm		

#### Material

Moulding	PA, grey, V-0
Comparative Tracking Index	CTI ≥ 600
Temperature Range	-40°C up to 100°C
Pressure clamp	Tin plated copper
Screw	M2,5; zinc plated steel, blue passivated
Solder pin	1,0 x 0,8 mm; tin plated copper
Terminal body	Zinc plated steel, blue passivated
Pressure plate	Brass, bright

#### Approvals

	Current	Voltage	Group	AWG	Nm
	20	300	B	24 - 12	0,4
	10	300	D	24 - 12	0,4
	20	300	B	24 - 12	0,4
	10	300	D, E	24 - 12	0,4

#### Options / Accessories

- Consecutive numbering
- Special marking according to drawing
- Self-adhesive marking strip BST-5,08
- Connected to larger number of poles