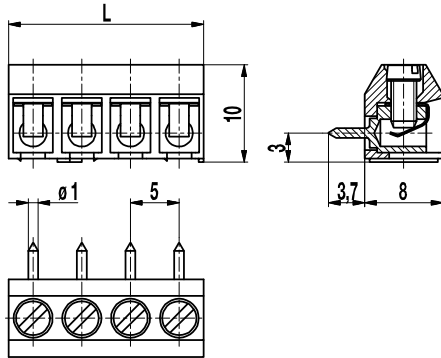
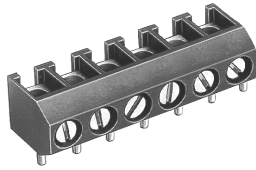


PCB connector

951(-DS)

Screw connection, wire entrance vertical to PCB



Part Numbers

No. of poles	951	951-DS	Length	Pcs
2	10.871.012	20.871.012	10,00	250
3	10.871.083	20.871.083	15,00	250
4	10.871.084	20.871.084	20,00	200
5	10.871.085	20.871.085	25,00	100
6	10.871.086	20.871.086	30,00	100
7	10.871.022	20.871.022	35,00	100
8	10.871.018	20.871.018	40,00	100
9	10.871.019	20.871.019	45,00	100
10	10.871.020	20.871.020	50,00	100
11	10.871.021	20.871.021	55,00	100
12	10.871.082	20.871.082	60,00	100
13	10.871.023	20.871.023	65,00	100
14	10.871.024	20.871.024	70,00	100
15	10.871.025	20.871.025	75,00	100
16	10.871.026	20.871.026	80,00	100
17	10.871.027	20.871.027	85,00	100
18	10.871.028	20.871.028	90,00	100
19	10.871.029	20.871.029	95,00	100
20	10.871.030	20.871.030	100,00	100
21	10.871.031	20.871.031	105,00	100
22	10.871.032	20.871.032	110,00	100
23	10.871.039	20.871.039	115,00	100
24	10.871.040	20.871.040	120,00	100
25	10.871.041	20.871.041	125,00	100
26	10.871.042	20.871.042	130,00	100
27	10.871.037	20.871.037	135,00	100
28	10.871.088	20.871.088	140,00	100
29	10.871.089	20.871.089	145,00	100
30	10.871.090	20.871.090	150,00	100
31	10.871.091	20.871.091	155,00	100
32	10.871.092	20.871.092	160,00	100

General Information

Pitch	5 mm
No. of poles	2 - 32

Technical Data

Clamping Range	<i>solid / flexible / AWG</i>		
<i>without wire protector</i>	0,75 - 4 mm ² / 0,75 - 2,5 mm ² / 18 - 12 AWG		
<i>with wire protector</i>	0,34 - 2,5 mm ² / 0,34 - 2,5 mm ² / 22 - 14 AWG		
Rated Cross Section	1,5 mm ²		
Wire Stripping Length	5 mm ± 0,5 mm		
Overvoltage Category	III	III	II
Pollution Severity Level	3	2	2
Rated Voltage	160 V (125 V)	160 V	320 V (250 V)
Rated Impulse Voltage	2,5 kV	2,5 kV	2,5 kV
Rated Insulation Voltage	130 V acc. to EN 60998-1		
Rated Current	17,5 A		
Hole in PCB	ϕ 1,3 mm		
Torque	0,4 Nm		
Other specifications	Voltage data in brackets are valid for 9-32 poles types. 2-8 poles types are "no-flame" acc. to glow-wire test.		

Material

Moulding	PA, grey, V-0
Comparative Tracking Index	2-8 poles: CTI ≥ 600; 9-32 poles: CTI 400
Insulating Group	2-8 poles: I; 9-32 poles: II
Temperature Range	-40°C up to 100°C
Terminal body	Tin plated brass
Screw	M2,6; zinc plated steel, blue passivated
Solder pin	ϕ 1 mm; tin plated brass
Wire protector	Tin plated tin bronze

Approvals

	Current	Voltage	Group	AWG	Nm
	15	300	B	26 - 14	0,4
	15	300	B	26 - 14	0,4
	Current	Voltage	mm ²		
	17,5	250	1,5		

Options / Accessories

- Consecutive numbering
- Special marking according to drawing
- Self-adhesive marking strip BST-5,00