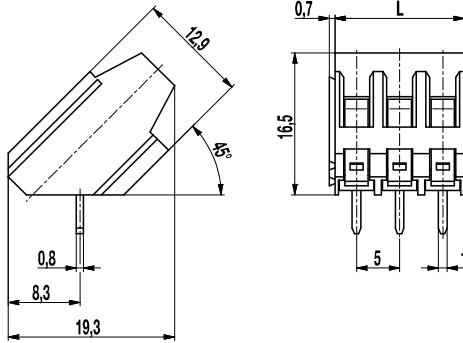
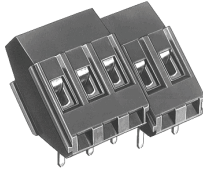


## PCB connector

### 150-C-111

Screw connection diagonal 45° to PCB, interlocking, with test holes



The PCB connector 150-C-111 is the inclined version with lift system with a pitch of 5 mm and available with 2 or 3 poles.

The wire entrance is in a 45° angle to the PC board. Therefore, this PCB connector is ideal for the assembly in the center of PCBs. The design of this PCB connector allows space-saving arrangement of consecutive rows of terminals.

Due to the ample terminal space and the lift system, this PCB connector is particularly user-friendly. The lift system guarantees optimum wire protection even after several disconnections of one or multiple wires.

Lateral latching elements on the housing allow to connect the PCB connector to longer terminal strips without pole loss. The screws are captive.

This PCB connector has test holes for  $\varnothing$  2.3 mm test plug.

#### Part Numbers

No. of poles	150-C-111	Length	PU
2	10.801.022	10,00	200
3	10.801.023	15,00	200

#### General Information

Pitch	5 mm
No. of poles	2 + 3

#### Technical Data

Clamping Range	<i>solid / flexible / AWG</i>		
	0,14 - 4 mm <sup>2</sup> / 0,14 - 2,5 mm <sup>2</sup> / 26 - 14 AWG		
Rated Cross Section	2,5 mm <sup>2</sup>		
Wire Stripping Length	7,5 mm $\pm$ 0,5 mm		
Overvoltage Category	III	III	II
Pollution Severity Level	3	2	2
Rated Voltage	250 V	320 V	630 V
Rated Impulse Voltage	4 kV	4 kV	4 kV
Rated Insulation Voltage	250 V acc. to EN 60998-1		
Rated Current	24 A		
Hole in PCB	$\varnothing$ 1,3 mm		
Torque	0,5 Nm		

#### Material

Moulding	PA, grey, V-0
Comparative Tracking Index	CTI $\geq$ 600
Insulating Group	I
Temperature Range	-40°C up to 100°C
Terminal body	Nickel plated brass
Pressure clamp	Copper alloy, tin plated
Screw	M3; zinc plated steel, blue passivated
Solder pin	1,0 x 0,8 mm; copper alloy, tin plated

#### Approvals

	Current	Voltage	Group	AWG	Nm
	20	300	B	22 - 10	0,51 [1]
	10	300	D	22 - 10	0,51
	20	300	B	26 - 10	0,51
	10	300	D, E	26 - 10	0,51

[1] Wire sizes No. 26 - 24 AWG and 20 A max for factory-wiring only

#### Options / Accessories

- Consecutive numbering
- Special marking according to drawing
- Self-adhesive marking strip BST-5,00
- Pitch of 10 mm for larger clearance and creepage distances
- Can be fitted together to larger pole numbers