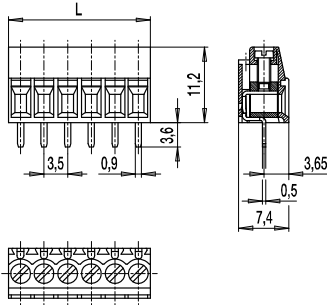


PCB connector
210-A-111
 Screw connection



Series 210 is a space-saving PCB connector with a pitch of 3,5 mm and with relatively high connection capacity. The 2 to 24 pole connectors are equipped with M2 captive screws offering high-quality screw connection with elevator system. Connectors with such elevator system are ideal for repeated disconnections because terminal body and conductor move parallel towards the pressure clamp. The elevator system allows easy disconnecting and contacting of the connector. A special feature of the housing is the easy identification of the pole separation, when viewed from the top. The connectors come equipped with a test hole and can be mounted side-by-side without pole loss.

Part Numbers

| No. of poles | 210-A-111 | Length | PU |
|--------------|------------|--------|-----|
| 2 | 10.804.002 | 7,00 | 250 |
| 3 | 10.804.003 | 10,50 | 250 |
| 4 | 10.804.004 | 14,00 | 250 |
| 5 | 10.804.005 | 17,50 | 200 |
| 6 | 10.804.006 | 21,00 | 200 |
| 8 | 10.804.008 | 28,00 | 100 |
| 10 | 10.804.010 | 35,00 | 100 |
| 12 | 10.804.012 | 42,00 | 100 |

further number of poles on request

General Information

| | |
|----------------------|--|
| Pitch | 3,5 mm |
| No. of poles | 2 - 24 |
| Areas of application | For all applications requiring low profile but large terminal space of 1,7 x 2,6 mm. |

Technical Data

| | | | |
|--------------------------|--|--------|--------|
| Clamping Range | <i>solid / flexible / AWG</i> 0,14 - 1,5 mm ² / 0,14 - 1,5 mm ² / 30 - 16 AWG | | |
| Rated Cross Section | 1 mm ² | | |
| Wire Stripping Length | 5,5 mm ± 0,5 mm | | |
| Overvoltage Category | III | III | II |
| Pollution Severity Level | 3 | 2 | 2 |
| Rated Voltage | 160 V | 160 V | 320 V |
| Rated Impulse Voltage | 2,5 kV | 2,5 kV | 2,5 kV |
| Rated Insulation Voltage | 130 V acc. to EN 60998-1 | | |
| Rated Current | 12,5 A | | |
| Hole in PCB | ø 1,2 mm | | |
| Torque | 0,2 Nm | | |

Material

| | |
|----------------------------|------------------------------|
| Moulding | PA, grey, V-0 |
| Comparative Tracking Index | CTI 400 |
| Insulating Group | II |
| Temperature Range | -40°C up to 100°C |
| Terminal body | Nickel plated brass |
| Pressure clamp | Copper alloy, tin plated |
| Screw | M2; copper alloy, tin plated |
| Solder pin | Copper alloy, tin plated |

Approvals

| | Current | Voltage | Group | AWG | Nm |
|--|---------|---------|-------|---------|------|
| | 10 | 300 | B | 30 - 16 | 0,23 |
| | 10 | 300 | B | 30 - 16 | 0,22 |
| | | | | | |

Options / Accessories

- Consecutive numbering
- Special marking according to drawing
- Self-adhesive marking strip BST-3,50
- Version with anti-twist-peg