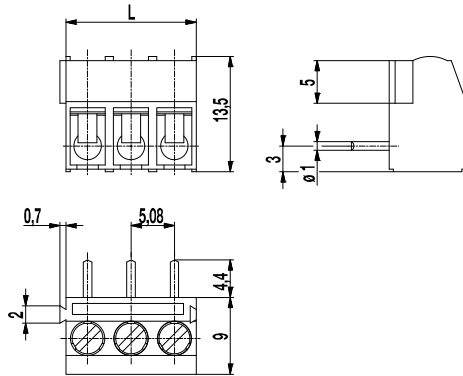
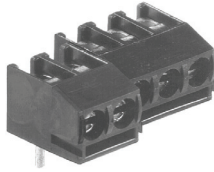


PCB connector

961-T(-DS)

Screw connection, wire entrance vertical to PCB, interlocking



The PCB connector 961-T is the horizontal version of 960-T with a pitch of 5,08 mm and available in 2 and 3 poles. It can be mounted side-by-side without pole loss.

Compared to the smaller PCB connector 941-T, it has a larger clamping range and larger clearance and creepage distances.

Lateral latching elements on the housing allow to latch the PCB connector to longer terminal strips without pole loss. The wire entrance is vertical to the PCB.

Wire protection in DS-design reliably prevents damage to stranded wires by the screw.

The screws are secured against self-loosening.

For the grid connection, these PCB connectors are equipped with a M3 thread.

Part Numbers

No. of poles	961-T	961-T-DS	Length	PU
2	10.878.612	20.878.612	11,16	250
3	10.878.613	20.878.613	16,24	250

General Information

Pitch	5,08 mm
No. of poles	2 + 3

Technical Data

Clamping Range	<i>solid / flexible / AWG</i>		
<i>without wire protector</i>	1 - 6 mm ² / 1 - 2,5 mm ² / 16 - 12 AWG		
<i>with wire protector</i>	0,75 - 4 mm ² / 0,75 - 2,5 mm ² / 18 - 12 AWG		
Rated Cross Section	2,5 mm ²		
Wire Stripping Length	5,5 mm ± 0,5 mm		
Overvoltage Category	III	III	II
Pollution Severity Level	3	2	2
Rated Voltage	250 V	320 V	630 V
Rated Impulse Voltage	4 kV	4 V	4 kV
Rated Insulation Voltage	250 V acc. to EN 60998-1		
Rated Current	24 A		
Hole in PCB	ø 1,3 mm		
Torque	0,5 Nm		

Material

Moulding	PA, grey, V-0
Comparative Tracking Index	CTI ≥ 600
Insulating Group	I
Temperature Range	-40°C up to 100°C
Terminal body	Tin plated brass
Screw	M3; zinc plated steel, blue passivated
Solder pin	ø 1 mm; tin plated brass
Wire protector	Tin plated tin bronze

Approvals

	Current	Voltage	Group	AWG	Nm
	20	300	B	22-12 [1]	0,51
	10	300	D	22-12 [1]	0,51
	20	300	B	26 - 12	0,51
	10	300	D, E	26 - 12	0,51
	Current	Voltage	mm ²		
	24	400	2,5		

[1] Min No. 26 AWG for factory-wiring only

Options / Accessories

- Consecutive numbering
- Special marking according to drawing
- Self-adhesive marking strip BST-5,08
- Longer solder pins up to 75 mm
- Version with extended wire entrance
- Double wire protector as bridge