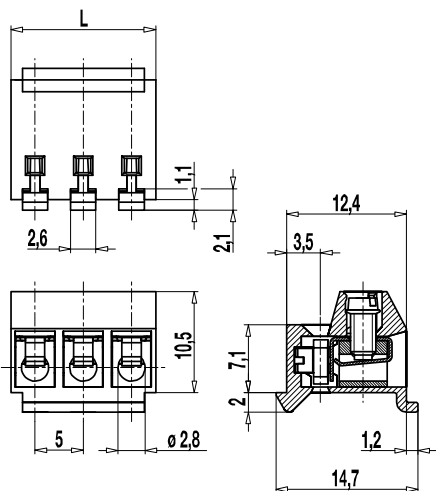


Plug connector

950-NLFL-DS

Screw connection, with locking foot



Application example - thermostat housing:

The plug connectors are snapped in the basic housing and their leads are wired externally. Subsequently, the control panel, equipped with corresponding pin strips, is connected from above.

Part Numbers

No. of poles	950-NLFL-DS	Length	Pcs
2	20.871.772	10,00	250
3	20.871.773	15,00	250
4	20.871.774	20,00	100
5	20.871.775	25,00	100
6	20.871.776	30,00	100
7	20.871.777	35,00	100
8	20.871.778	40,00	100
9	20.871.779	45,00	100
10	20.871.780	50,00	50
11	20.871.781	60,00	50
12	20.871.782	65,00	50

General Information

Pitch	5 mm
No. of poles	2 - 12
Usable with	pin strips of series 971

Technical Data

Clamping Range	<i>solid / flexible / AWG</i>		
	0,34 - 2,5 mm ² / 0,34 - 1,5 mm ² / 22 - 14 AWG		
Rated Cross Section	1,5 mm ²		
Wire Stripping Length	6 mm \pm 0,5 mm		
Overvoltage Category	III	III	II
Pollution Severity Level	3	2	2
Rated Voltage	320 V	320 V	630 V
Rated Impulse Voltage	4 kV	4 kV	4 kV
Rated Insulation Voltage	250 V acc. to EN 60998-1		
Rated Current	6 A		
Torque	0,4 Nm		
Other specifications	By use with pins LST-1,3: III-3-160V-2,5 kV		

Material

Moulding	PA, black, V-0
Comparative Tracking Index	CTI \geq 600
Insulating Group	I
Temperature Range	-40°C up to 100°C
Terminal body	Nickel plated brass
Screw	M2,6; zinc plated steel, blue passivated
Wire protector	Tin plated tin bronze
Spring	Tin plated tin bronze

Approvals

	Current	Voltage	Group	AWG	Nm
	10	300	B	26 - 14	0,4
	10	300	B	26 - 14	0,4

Options / Accessories

- Consecutive numbering
- Special marking according to drawing
- Self-adhesive marking strip BST-5,00
- Pitch of 10 mm for larger clearance and creepage distances