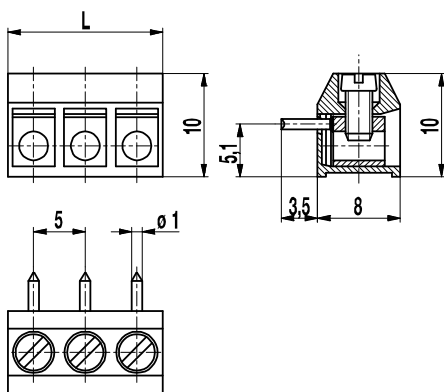
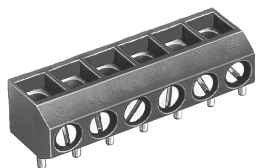


## PCB connector

### 951-HG(-DS)

Screw connection, wire entrance vertical to PCB, extended insertion length



The PCB connector 951-HG has a solder pin welded on top of the socket bore, which expands the insertion length to series 950 socket depth. Extra-long solder pins are available upon request.

The wire entrance is vertical to the PCB. Wire protection in DS-design reliably prevents damage to stranded wires by the screw.

#### Part Numbers

| No. of poles | 951-HG     | 951-HG-DS  | Length | Pcs |
|--------------|------------|------------|--------|-----|
| 2            | 10.871.202 | 20.871.202 | 10,00  | 250 |
| 3            | 10.871.203 | 20.871.203 | 15,00  | 250 |
| 4            | 10.871.204 | 20.871.204 | 20,00  | 200 |
| 5            | 10.871.205 | 20.871.205 | 25,00  | 100 |
| 6            | 10.871.206 | 20.871.206 | 30,00  | 100 |
| 7            | 10.871.207 | 20.871.207 | 35,00  | 100 |
| 8            | 10.871.208 | 20.871.208 | 40,00  | 100 |
| 9            | 10.871.209 | 20.871.209 | 45,00  | 100 |
| 10           | 10.871.210 | 20.871.210 | 50,00  | 100 |
| 11           | 10.871.211 | 20.871.211 | 55,00  | 100 |
| 12           | 10.871.212 | 20.871.212 | 60,00  | 100 |
| 13           | 10.871.213 | 20.871.213 | 65,00  | 100 |
| 14           | 10.871.214 | 20.871.214 | 70,00  | 100 |
| 15           | 10.871.215 | 20.871.215 | 75,00  | 100 |
| 16           | 10.871.216 | 20.871.216 | 80,00  | 100 |
| 17           | 10.871.217 | 20.871.217 | 85,00  | 100 |
| 18           | 10.871.218 | 20.871.218 | 90,00  | 100 |
| 19           | 10.871.219 | 20.871.219 | 95,00  | 100 |
| 20           | 10.871.220 | 20.871.220 | 100,00 | 100 |
| 21           | 10.871.221 | 20.871.221 | 105,00 | 100 |
| 22           | 10.871.222 | 20.871.222 | 110,00 | 100 |
| 23           | 10.871.223 | 20.871.223 | 115,00 | 100 |
| 24           | 10.871.224 | 20.871.224 | 120,00 | 100 |
| 25           | 10.871.225 | 20.871.225 | 125,00 | 100 |
| 26           | 10.871.226 | 20.871.226 | 130,00 | 100 |
| 27           | 10.871.227 | 20.871.227 | 135,00 | 100 |
| 28           | 10.871.228 | 20.871.228 | 140,00 | 100 |
| 29           | 10.871.229 | 20.871.229 | 145,00 | 100 |

further number of poles on request

#### General Information

|              |        |
|--------------|--------|
| Pitch        | 5 mm   |
| No. of poles | 2 - 32 |

#### Technical Data

|                               |   |        |        |
|-------------------------------|---|--------|--------|
| Clamping Range                | <i>solid / flexible / AWG</i>   |        |        |
| <i>without wire protector</i> | 0,75 - 4 mm <sup>2</sup> / 0,75 - 2,5 mm <sup>2</sup> / 18 - 12 AWG   |        |        |
| <i>with wire protector</i>    | 0,34 - 2,5 mm <sup>2</sup> / 0,34 - 2,5 mm <sup>2</sup> / 22 - 14 AWG |        |        |
| Rated Cross Section           | 1,5 mm <sup>2</sup>   |        |        |
| Wire Stripping Length         | 6 mm ± 0,5 mm   |        |        |
| Overvoltage Category          | III   | III    | II     |
| Pollution Severity Level      | 3   | 2      | 2      |
| Rated Voltage                 | 160 V   | 160 V  | 320 V  |
| Rated Impulse Voltage         | 2,5 kV  | 2,5 kV | 2,5 kV |
| Rated Insulation Voltage      | 130 V acc. to EN 60998-1  |        |        |
| Rated Current                 | 17,5 A  |        |        |
| Hole in PCB                   | ø 1,3 mm  |        |        |
| Torque                        | 0,4 Nm  |        |        |
| Other specifications          | 2-8 poles types are "no-flame" acc. to glow-wire test.                |        |        |

#### Material

|                            |   |
|----------------------------|---|
| Moulding                   | PA, grey, V-0                             |
| Comparative Tracking Index | 2-8 poles: CTI ≥ 600; 9-32 poles: CTI 400 |
| Insulating Group           | 2-8 poles: I; 9-32 poles: II              |
| Temperature Range          | -40°C up to 100°C                         |
| Terminal body              | Tin plated brass                          |
| Screw                      | M2,6; zinc plated steel, blue passivated  |
| Solder pin                 | ø 1 mm; tin plated copper                 |
| Wire protector             | Tin plated tin bronze                     |

#### Approvals

|  | Current | Voltage | Group           | AWG     | Nm  |
|--|---------|---------|-----------------|---------|-----|
|  | 15      | 300     | B               | 26 - 14 | 0,4 |
|  | 15      | 300     | B               | 26 - 14 | 0,4 |
|  | Current | Voltage | mm <sup>2</sup> |         |     |
|  | 17,5    | 250     | 1,5             |         |     |

#### Options / Accessories

- Consecutive numbering
- Special marking according to drawing
- Self-adhesive marking strip BST-5,00
- Longer P.C. pins up to 75 mm