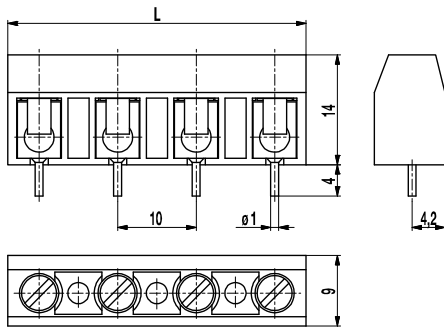
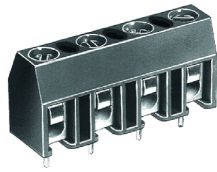


PCB connector
910(-DS)
 Screw connection



The series 910 PCB connector in 10 mm pitch is designed for particularly large wires.

Part Numbers

No. of poles	910	910-DS	Length	Pcs
2	10.876.002	20.876.002	18,00	250
3	10.876.003	20.876.003	28,00	250
4	10.876.004	20.876.004	38,00	200
5	10.876.005	20.876.005	48,00	100
6	10.876.006	20.876.006	58,00	100
7	10.876.007	20.876.007	68,00	100
8	10.876.008	20.876.008	78,00	100
9	10.876.009	20.876.009	88,00	100
10	10.876.010	20.876.010	98,00	100
11	10.876.011	20.876.011	108,00	100
12	10.876.012	20.876.012	118,00	100

General Information

Pitch	10 mm
No. of poles	2 - 12

Technical Data

Clamping Range	<i>solid / flexible / AWG</i>		
<i>without wire protector</i>	2,5 - 10 mm ² / 2,5 - 6 mm ² / 14 - 10 AWG		
<i>with wire protector</i>	1,5 - 6 mm ² / 1,5 - 4 mm ² / 16 - 12 AWG		
Rated Cross Section	4 mm ²		
Wire Stripping Length	6,5 mm ± 0,5 mm		
Overvoltage Category	III	III	II
Pollution Severity Level	3	2	2
Rated Voltage	500 V	630 V	1000 V
Rated Impulse Voltage	6 kV	6 kV	6 kV
Rated Insulation Voltage	750 V acc. to EN 60998-1		
Rated Current	25 A		
Hole in PCB	ø 1,3 mm		
Torque	0,8 Nm		

Material

Moulding	PA, grey, V-0
Comparative Tracking Index	CTI 400
Insulating Group	II
Temperature Range	-40°C up to 100°C
Terminal body	Tin plated brass
Screw	M3,5; zinc plated steel, blue passivated
Solder pin	ø 1 mm; tin plated brass
Wire protector	Tin plated tin bronze

Approvals

	Current	Voltage	Group	AWG	Nm
	25	300	B	18 - 10	0,79
	25	300	B	22-10 [1]	0,79
	10	300	D, E	22-10 [1]	0,79
	Current	Voltage	mm ²		
	32	750	4,0		

[1] for 910-DS: 26 - 10 AWG

Options / Accessories

- Consecutive numbering
- Special marking according to drawing
- Self-adhesive marking strip BST-10,00
- Solder pin ø 1.5 mm
- Version with two solder pins per pole, please see 910-Y(-DS)