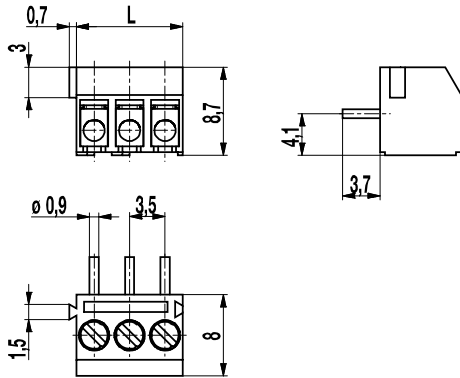
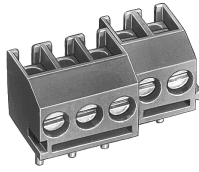


PCB connector

931-T(-DS)

Screw connection, wire entrance vertical to PCB, interlocking



The PCB connector 931-T with a pitch of 3,5 mm is available in 2- and 3-pole design. It can be mounted side-by-side without pole loss, and is equipped with captive screws. Lateral latching elements on the housing allow to latch the PCB connector to longer terminal strips without pole loss. The wire protector of the "DS"-version reliably prevents damage to multi-wire flexible conductors by the turning screw. The wire entrance is vertical to the PCB.

Part Numbers

No. of poles	931-T	931-T-DS	Length	PU
2	10.870.102	20.870.102	7,00	250
3	10.870.103	20.870.103	10,50	250

General Information

Pitch	3,5 mm
No. of poles	2 + 3

Technical Data

Clamping Range	<i>solid / flexible / AWG</i>		
<i>without wire protector</i>	0,75 - 1,5 mm ² / 0,75 - 1,5 mm ² / 18 - 16 AWG		
<i>with wire protector</i>	0,34 - 1,5 mm ² / 0,34 - 1 mm ² / 22 - 16 AWG		
Rated Cross Section	1 mm ²		
Wire Stripping Length	5 mm ± 0,5 mm		
Overvoltage Category	III	III	II
Pollution Severity Level	3	2	2
Rated Voltage	160 V	160 V	320 V
Rated Impulse Voltage	2,5 kV	2,5 kV	2,5 kV
Rated Insulation Voltage	130 V acc. to EN 60998-1		
Rated Current	13,5 A		
Hole in PCB	ø 1,2 mm		
Torque	0,2 Nm		

Material

Moulding	PA, grey, V-0
Comparative Tracking Index	CTI = 600
Insulating Group	I
Temperature Range	-40°C up to 100°C
Terminal body	Tin plated brass
Screw	M2; zinc plated steel, blue passivated
Solder pin	ø 0,9 mm; tin plated brass
Wire protector	German silver

Approvals

	Current	Voltage	Group	AWG	Nm
	10	300	B	26 - 16	0,23
	10	300	B	26 - 16	0,2

Options / Accessories

- Consecutive numbering
- Special marking according to drawing
- Self-adhesive marking strip BST-3,50
- Pitch of 7 mm for larger clearance and creepage distances