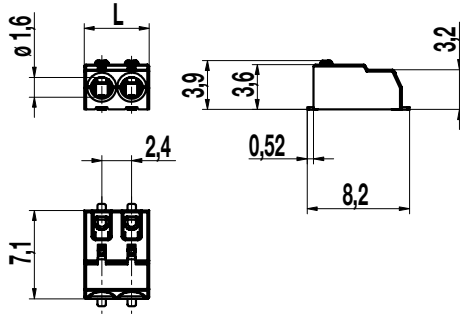
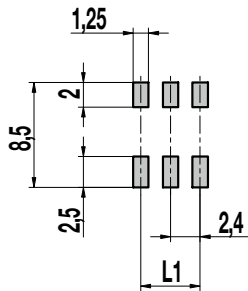


**PCB connector for SMD**  
**802-A-111-SMD**  
 Push-In connection



**PCB Layout (Recommendation)**



L1 = (No. of poles - 1) x pitch  
 Solder paste thickness: 0,15 - 0,2 mm

**Part Numbers**

No. of poles	802-A-111-SMD	Length	PU
1		3,20 mm	
2		5,20 mm	
3		7,60 mm	

**General Information**

Pitch	2,4 mm
No. of poles	1 - 3
Areas of application	Lighting technology, devices

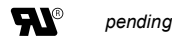
**Technical Data**

Clamping Range	<i>solid / flexible / AWG</i>		
	0,14 - 0,34mm <sup>2</sup> / 0,14 - 0,34mm <sup>2</sup> / 26 - 22 AWG [1]		
Rated Cross Section	0,2 mm <sup>2</sup>		
Wire Stripping Length	5 mm ± 0,5 mm		
Overvoltage Category	III	III	II
Pollution Severity Level	3	2	2
Rated Voltage	125 V	160 V	320 V
Rated Impulse Voltage	2,5 kV	2,5 kV	2,5 kV
Rated Current	4 A (AWG 22) 3 A (AWG 24) 2,5 A (AWG 26)		
Soldering process	Reflow solder		

**Material**

Moulding	PA HT, natural, V-0
Comparative Tracking Index	CTI ≥ 600
Insulating Group	I
Temperature Range	-40°C up to 130°C; reflow solder temperature (Peak) max. 260°C ( max. 10 s)
Terminal body	Tin plated copper alloy
Spring	Tin plated copper alloy

**Approvals**



**Part Numbers: Tape-on-Reel**

No. of poles	802-A-111-SMD	Tape Width	Tape Height	PU
1	10.813.201.A00	16,0 mm	4,75 mm	1200
2	10.813.202.A00	16,0 mm	4,75 mm	1200
3	10.813.203.A00	16,0 mm	4,75 mm	1200

[1] Use of flexible conductors only with tinned ends