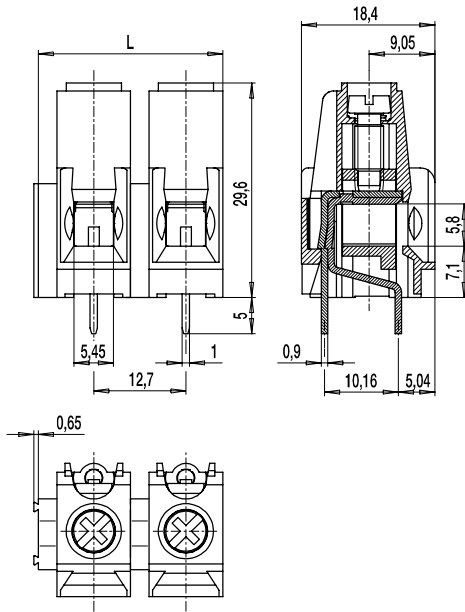


# PCB connector

## 159-A-111

Screw connection



Series 159-A is particularly designed for high voltages and strong currents. A terminal space for solid wires of up to 16 mm<sup>2</sup> or for flexible wires of up to 10 mm<sup>2</sup> is characteristic for this series. Two solder pins per pole ensure safe connection to the PCB.

Series 159-A-111 is a low version in 12.7 mm pitch and suitable for voltages up to 1000 V.

Unlimited UL-approval (UL1059, general industrial, Group C) for 600 V facilitates design approval. This series is suitable for field wiring applications according to UL508C.

### Part Numbers

No. of poles	159-A-111	Length	PU
2	12.801.903	25,40	50
3	13.801.903	38,10	50
4	14.801.903	50,80	50
5	15.801.903	63,50	50

further number of poles on request

### General Information

Pitch	12,7 mm
No. of poles	2 - 12
Usable with	159-A-211, 158-A-111 and 158-A-211, mountable side-by-side to any series connector
Areas of application	Power electronics, in particular for drives with frequency converters, and also for power supplies and charging units.
Additional Information	Hole for $\varnothing$ 2 mm test plug

### Technical Data

Clamping Range	solid / flexible / AWG		
	0,5 - 16 mm <sup>2</sup> / 0,5 - 10 mm <sup>2</sup> / 20 - 6 AWG		
Rated Cross Section	10 mm <sup>2</sup>		
Wire Stripping Length	10,5 mm $\pm$ 1 mm		
Overvoltage Category	III	III	II
Pollution Severity Level	3	2	2
Rated Voltage	1000 V	1000 V	1000 V
Rated Impulse Voltage	8 kV	8 kV	6 kV
Rated Current	57 A		
Hole in PCB	$\varnothing$ 1,5 mm		
Torque	1,2 Nm		
Other specifications	Maximum current/cross-section 76 A / 16 mm <sup>2</sup> , stranded wire		

### Material

Moulding	PA, grey, V-0
Comparative Tracking Index	CTI $\geq$ 600
Insulating Group	I
Temperature Range	-40°C up to 100°C
Terminal body	Nickel plated brass
Pressure clamp	Tin plated copper
Screw	Plus-minus, M4; zinc plated steel, blue passivated
Solder pin	Tin plated copper

### Approvals

	Current	Voltage	Group	AWG	Nm
	60	600	B, C	20 - 6	1,3
	5	600	D	20 - 6	1,3
	Current	Voltage	mm <sup>2</sup>		
	57	1000 [1]	2,5 - 10		

[1] Marks approval acc. to DIN EN 60947-7-4

### Options / Accessories

- Consecutive numbering
- Special marking according to drawing