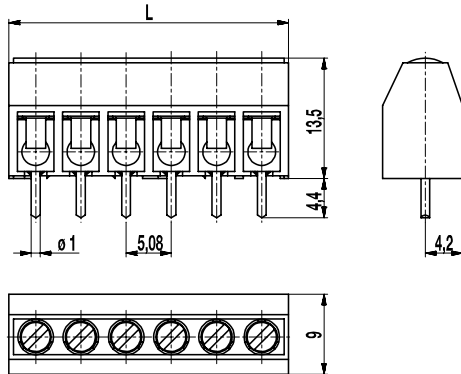
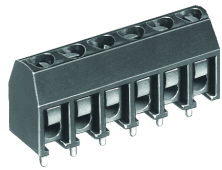


PCB connector 960(-DS) Screw connection



The PCB connector 960 with a pitch of 5,08 mm is available in 2- to 32-pole design and can be mounted side-by-side without pole loss. Compared to the smaller PCB connector 940, it has a larger clamping range and larger clearance and creepage distances.

Wire protection in DS-design reliably prevents damage to stranded wires by the screw. The screws are secured against self-loosening. For the grid connection, these PCB connectors are equipped with a M3 thread.

Part Numbers

No. of poles	960	960-DS	Length	PU
2	10.878.002	20.878.002	11,16	250
3	10.878.003	20.878.003	16,24	250
4	10.878.004	20.878.004	21,32	200
5	10.878.005	20.878.005	26,40	100
6	10.878.006	20.878.006	31,48	100
7	10.878.007	20.878.007	36,56	100
8	10.878.008	20.878.008	41,64	100
9	10.878.009	20.878.009	46,72	100
10	10.878.010	20.878.010	51,80	100
11	10.878.011	20.878.011	56,88	100
12	10.878.012	20.878.012	61,96	100
13	10.878.013	20.878.012	67,04	100
14	10.878.014	20.878.014	72,12	100
15	10.878.015	20.878.015	77,20	100
16	10.878.016	20.878.016	82,28	100
17	10.878.017	20.878.017	87,36	100
18	10.878.018	20.878.018	92,44	100
19	10.878.019	20.878.019	97,52	100
20	10.878.020	20.878.020	102,60	100
21	10.878.021	20.878.021	107,68	100
22	10.878.022	20.878.022	112,76	100
23	10.878.023	20.878.023	117,84	100
24	10.878.024	20.878.024	122,92	100
26	10.878.026	20.878.026	133,09	100
28	10.878.028	20.878.028	143,24	100
30	10.878.030	20.878.030	153,40	100
32	10.878.032	20.878.032	163,56	100

further number of poles on request

General Information

Pitch	5,08 mm
No. of poles	2 - 32

Technical Data

Clamping Range	<i>solid / flexible / AWG</i>		
	<i>without wire protector</i>	1 - 6 mm ² / 1 - 2,5 mm ² / 16 - 12 AWG	
	<i>with wire protector</i>	0,75 - 4 mm ² / 0,75 - 2,5 mm ² / 18 - 12 AWG	
Rated Cross Section	2,5 mm ²		
Wire Stripping Length	6,5 mm ± 0,5 mm		
Overvoltage Category	III	III	II
Pollution Severity Level	3	2	2
Rated Voltage	250 V (200 V)	320 V	630 V (400 V)
Rated Impulse Voltage	4 kV	4 kV	4 kV
Rated Insulation Voltage	250 V acc. to EN 60998-1		
Rated Current	24 A		
Hole in PCB	ø 1,3 mm		
Torque	0,5 Nm		
Other specifications	Voltage data in brackets are valid for 9-32 poles types. 2-8 poles types: "no-flame" acc. to glow-wire test.		

Material

Moulding	PA, grey, V-0
Comparative Tracking Index	2-8 poles: CTI ≥ 600; 9-32 poles: CTI 400
Insulating Group	2-8 poles: I; 9-32 poles: II
Temperature Range	-40°C up to 100°C
Terminal body	Tin plated brass
Screw	M3; zinc plated steel, blue passivated
Solder pin	ø 1 mm; tin plated copper alloy
Wire protector	Tin plated tin bronze

Approvals

	Current	Voltage	Group	AWG	Nm
	20	300	B	22-12 [1]	0,51
	10	300	D	22-12 [1]	0,51
	20	300	B	26 - 12	0,51
	10	300	D, E	26 - 12	0,51
	Current	Voltage	mm ²		
	24	400	2,5		

[1] No. 26 AWG min for factory-wiring only

Options / Accessories

- Consecutive numbering
- Special marking according to drawing
- Self-adhesive marking strip BST-5,08
- Longer P.C. pins up to 95 mm
- Version with extended wire entrance
- Double wire protector as bridge