

Datasheet

SPD II 1 – Surge Protectors for AC Power Distribution

SPD II PV – Surge Protectors for Photovoltaic Installations




Weidmüller's SPD II 1 series transient voltage surge protectors consist of a range of innovative, compact modules for the protection of low voltage AC distribution systems or (PV models) for DC photovoltaic installations. In AC applications, the SPD II 1 would be installed downstream of the main circuit breaker and fuse(s), connected between each live conductor to be protected and ground. For multi-phase circuits, multiple modules are used with jumper options between ground terminals and permitting a single connection to ground. In photovoltaic applications, the SPD II 1 PV would typically be in a combiner enclosure protecting the DC output and return conductor to ground.

Voltage limiting technology is integrated, which differentiates between transient pulses and longer-lasting overvoltages. This circuitry eliminates the disadvantages of varistor devices (MOVs) which, in competitive products, may switch-on inadvertently in conditions where the supply voltage is not well-regulated. Weidmüller's hybrid arrester design ensures efficient MOV operation and hence conserves energy, maximizes the operating lifetime of the arrester and eliminates arcing when the thermal disconnect operates.

Each module is a two-part construction, comprising a TS35 DIN-rail mountable base and a pluggable replaceable arrester, with each single-conductor assembly only 18mm wide. Products are specified by their working voltage level, or maximum continuous operating voltage (MCOV) and each has a maximum surge current rating of 50kA.

Base/arrester assemblies are available either with or without a remote signaling option and arresters are available as spare parts.

- Models for LV AC distribution or photovoltaic installations
- Quick replacement with spare pluggable, replaceable arresters
- Nominal voltages up to 480VAC (550V MCOV) or 1200VDC
- Maximum surge current (Imax) 50kA
- Remote status signaling option
- UL 1449 Ed3 approved and CSA equivalent 
- No discharge path fuse needed (Type 2)

Weidmüller, Canada

10 Spy Court
Markham, Ontario L3R 5H6
Telephone: (800) 268-4080
Facsimile: (877) 300-5635
Email: info1@weidmuller.ca
Website: www.weidmuller.ca

Weidmüller, Mexico

Blvd. Hermanos Serdán 698,
Col. San Rafael Oriente
Puebla, Puebla, Mexico
C.P. 72029
Telephone: 01 222 2686267
Facsimile: 01 222 2686219
Email: clientes@weidmuller.com.mx
Website: www.weidmuller.com.mx

Weidmüller, United States

821 Southlake Blvd.
Richmond, Virginia 23236
Telephone: (800) 849-9343
Facsimile: (804) 379-2593
Email: info@weidmuller.com
Website: www.weidmuller.com

SPD II AC Surge Protectors

For transient voltage protection of single and multi-phase circuits, in the main electrical panel, downstream of the main circuit breaker, or in control panels.

SPD II 0 150V/40kA SPD II 1 150V/40kA SPD II 1 R 150V/40kA



R model shown

SPD II 0 280V/40KA SPD II 1 280V/40KA SPD II 1 R 280V/40KA




R model shown

Technical Data

AC Network	120 V, Single phase
Connection Mode	1 Pole, L-N or L-G.
Max. Operating Voltage (MCOV)	150 VAC
Leakage Current at U_c	<1mA
Follow Current	None
UL 1449 Category	Type 2
UL Nominal Discharge Current (I_n), 15 Impulses 8/20 us	20 kA
Max. Discharge Current (I_{max}), 1 Impulse 8/20 us	50 kA
UL Voltage Protection Rating (VPR)	1.2 kV
Protection Level (U_p)	≤ 1200 V
UL Short-Circuit Current Rating (SCCR)	200 kA
Sparkover time / Drop-out time	<100 ns
Overcurrent Protection	No fuse required in discharge circuit
Connection (network)	Screw connections (2 - 14AWG)
Remote Signal Option (Contact Rating)	250 V / 0,5 A, 48 VDC /0,1 A
Mounting	DIN-rail, TS 35
Operating Temp	-40°C...+70°C
Operating Altitude (Max.)	2,000m
Relative Humidity	0 - 95% non-condensing
Enclosure Material	Thermoplastic UL94-V0
Environmental Rating	IP 20
Weight (g) and Dimensions (mm)	
SPD II 0	66 g; 18W x 45H x 60D
SPD II 1	138 g; 18W x 90H x 73.5D
SPD II 1 R	142 g; 18W x 100H x 73.5D

Approvals

UL 1449 (USA and CANADA) 

UL File E354261, Type 2 UL 1449 Ed. 3, CSA Electrical Notice No. 516

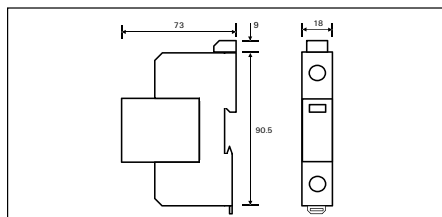
UL File E354261, Type 2 UL 1449 Ed. 3, CSA Electrical Notice No. 516

Ordering Data

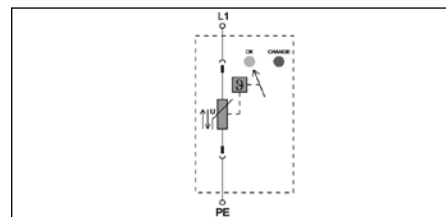
Surge Protector	Part No.
Spare arrester 120V nom.	—
Spare arrester 230V nom.	—
SPD assembly w/o relay	—
SPD assembly with relay	—
Bus bars	Part No.
2-pole jumper	8877540000
3-pole jumper	8877500000
4-pole jumper	8877520000

Type	Part No.
SPD II 0 150V/40kA	1348330000
—	—
SPD II 1 150V/40kA	1348340000
SPD II 1 R 150V/40kA.	1348350000
Type	Part No.
QB 18-2	8877540000
QB 18-3	8877500000
QB 18-4	8877520000

Type	Part No.
—	—
SPD II 0 280V/40kA	1348370000
SPD II 1 280V/40kA	1348380000
SPD II 1 R 280V/40kA.	1348390000
Type	Part No.
QB 18-2	8877540000
QB 18-3	8877500000
QB 18-4	8877520000



Dimensions



Electrical Function



2-, 3- and 4-pole Jumpers

For transient voltage protection of single and multi-phase circuits, in the main electrical panel, downstream of the main circuit breaker, or in control panels.

SPD II 0 400V/40kA
SPD II 1 400V/40kA
SPD II 1 R 400V/40kA



R model shown

SPD II 0 550V/40kA
SPD II 1 550V/40kA
SPD II 1 R 550V/40kA



R model shown

Technical Data

AC Network
Connection Mode
Max. Operating Voltage (MCOV)
Leakage Current at Uc
Follow Current
UL Category
UL Nominal Discharge Current (In), 15 Impulses 8/20 us
Max. Discharge Current (Imax), 1 Impulse 8/20 us
UL Voltage Protection Rating (VPR)
Protection Level (Up)
UL Short-Circuit Current Rating (SCCR)
Sparkover time / Drop-out time
Overcurrent Protection
Connection (network)
Remote Signal (Contact Rating)
Mounting
Operating Temp
Operating Altitude (Max.)
Relative Humidity
Enclosure Material
Environmental Rating
Weight (g) and Dimensions (mm)
SPD II 0
SPD II 1
SPD II 1 R

277/347 V, Single phase
1 Pole, L-N or L-G.
385 VAC
<1mA
None
Type 2
20 kA
50 kA
1.8 kV
≤ 1800 V
200 kA
<100 ns
No fuse required in discharge circuit
Screw connections (2 - 14AWG)
250 V / 0,5 A, 48 VDC /0,1 A
DIN-rail, TS 35
-40°C...+70°C
2,000m
0 - 95% non-condensing
Thermoplastic UL94-V0
IP 20
66 g; 18W x 45H x 60D
138 g; 18W x 90H x 73.5D
150 g; 18W x 100H x 73.5D

480 V, Single phase
1 Pole, L-N or L-G.
550 VAC
<1mA
None
Type 2
20 kA
50 kA
2.5 kV
≤ 2500 V
200 kA
<100 ns
No fuse required in discharge circuit
Screw connections (2 - 14AWG)
250 V / 0,5 A, 48 VDC /0,1 A
DIN-rail, TS 35
-40°C...+70°C
2,000m
0 - 95% non-condensing
Thermoplastic UL94-V0
IP 20
66 g; 18W x 45H x 60D
138 g; 18W x 90H x 73.5D
150 g; 18W x 100H x 73.5D

Approvals

UL 1449 (USA and CANADA)

UL File E354261, Type 2 UL1449 Ed. 3, CSA Electrical Notice No. 516

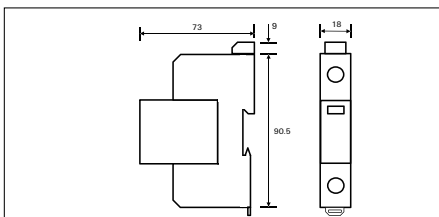
UL File E354261, Type 2 UL1449 Ed. 3, CSA Electrical Notice No. 516

Ordering Data

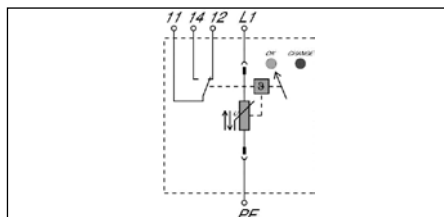
Surge Protector
Spare arrester 277V nom.
Spare arrester 440/480V nom.
SPD assembly w/o relay
SPD assembly with relay
Bus bars
2-pole jumper
3-pole jumper
4-pole jumper

Type	Part No.
SPD II 0 400V/40kA	1348400000
—	—
SPD II 1 400V/40kA	1348420000
SPD II 1 R 400V/40kA.	1348430000
Type	Part No.
QB 18-2	8877540000
QB 18-3	8877500000
QB 18-4	8877520000

Type	Part No.
—	—
SPD II 0 550V/40kA	1348440000
SPD II 1 550V/40kA	1348450000
SPD II 1 R 550V/40kA.	1348470000
Type	Part No.
QB 18-2	8877540000
QB 18-3	8877500000
QB 18-4	8877520000



Dimensions

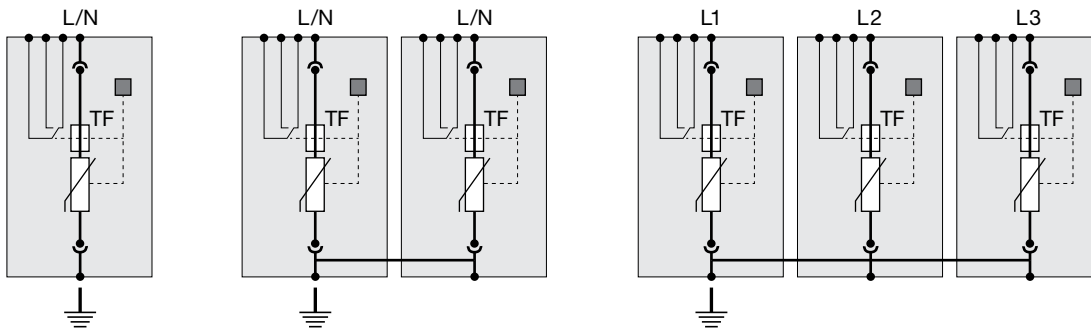


Electrical Function



2-, 3- and 4-pole Jumpers

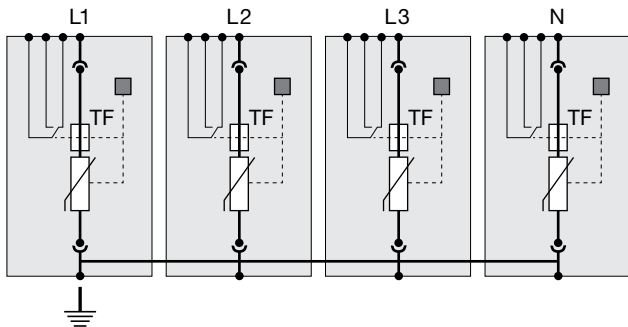
Basic AC configurations 1 (with remote signaling options)



SPD parts needed:

Nom. V	Description	Qty	Qty	Qty	Part No.
110/120V	SPD II 150V/40kA	1	2	3	1348350000
230/240V	SPD II 280V/40kA	1	2	3	1348390000
277V	SPD II 400V/40kA	1	2	3	1348430000
480V	SPD II 550V/40kA	1	2	3	1348470000
All	QB18-2	0	1	0	8877540000
All	QB18-3	0	0	1	8877500000

Basic AC configurations 2 (with remote signaling options)



SPD parts needed:

Nom. V	Description	Qty	Part No.
110/120V	SPD II 1 R 150V/40kA	4	1348350000
230/240V	SPD II 1 R 280V/40kA	4	1348390000
277V	SPD II 1 R 400V/40kA	4	1348430000
480V	SPD II 1 R 550V/40kA	4	1348470000
All	QB 18-4	1	8877520000

SPD II DC Surge Protectors

For use on the DC side of photovoltaic installations, typically in a combiner enclosure, protecting the DC output and return conductor to the ground.

SPD II 0 PV 600VDC SPD II 2 PV 600VDC SPD II 2 R PV 600VDC



R model shown

SPD II 0 PV 1000VDC SPD II 2 PV 1000VDC SPD II 2 R PV 1000VDC




R model shown

SPD II 0 PV 1200VDC SPD II 3 PV 1200VDC SPD II 3 R PV 1200VDC



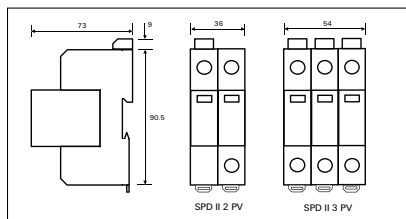
R model shown

Technical Data

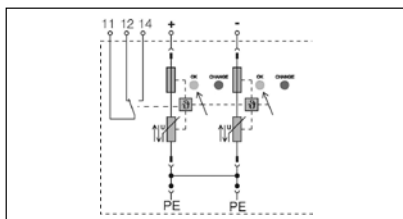
DC Network	600 VDC	1000 VDC	1200 VDC
Connection Mode	Screw connection	Screw connection	Screw connection
Max. Operating Voltage (MCOV)	550 VDC	1000 VDC	1200 VDC
Leakage Current at U _c	<1mA	<1mA	<1mA
UL Category	Type 2	Type 2	Type 2
UL Nominal Discharge Current (I _n), 5 Impulses 8/20 us	20 kA	20 kA	20 kA
Max. Discharge Current (I _{max}), 1 Impulse 8/20 us	50 kA	50 kA	50 kA
UL Voltage Protection Rating (VPR)	2 kV	4 kV	4 kV
Protection Level (Up)	≤ 2000 V	≤ 4000 V	≤ 4000 V
UL Short-Circuit Current Rating (SCCR)	200 kA	200 kA	200 kA
Sparkover time / Drop-out time	<100 ns	<100 ns	<100 ns
Overcurrent Protection	No fuse required in discharge circuit	No fuse required in discharge circuit	No fuse required in discharge circuit
Connection (network)	Screw connection, pluggable	Screw connection, pluggable	Screw connection, pluggable
Remote Signal (Contact Rating)	250 V / 0,5 A, 48 VDC / 0,1 A	250 V / 0,5 A, 48 VDC / 0,1 A	250 V / 0,5 A, 48 VDC / 0,1 A
Mounting	DIN-rail, TS 35, TS 35 x 15, TS 35 x 7.5	DIN-rail, TS 35, TS 35 x 15, TS 35 x 7.5	DIN-rail, TS 35, TS 35 x 15, TS 35 x 7.5
Operating Temp	-40°C...+70°C	-40°C...+70°C	-40°C...+70°C
Operating Altitude (Max.)	2000m	2000m	2000m
Relative Humidity	0 - 95% non-condensing	0 - 95% non-condensing	0 - 95% non-condensing
Enclosure Material	Thermoplastic UL94-V0	Thermoplastic UL94-V0	Thermoplastic UL94-V0
Environmental Rating	IP 20	IP 20	IP 20
Weight (g)	274	292	402
Dimensions (mm)	36W x 100H x 73.5D	36W x 100H x 73.5D	54W x 100H x 73.5D
Approvals			
UL 1449 (USA and CANADA) 	UL File E354261, Type 2 UL1449 Ed. 3, CSA Electrical Notice No. 516	UL File E354261, Type 2 UL1449 Ed. 3, CSA Electrical Notice No. 516	UL File E354261, Type 2 UL1449 Ed. 3, CSA Electrical Notice No. 516

Ordering Data

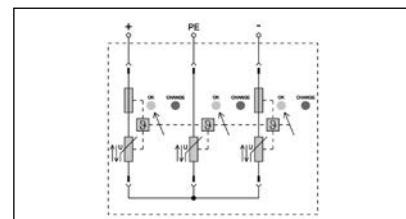
Surge Protector	Type	Part No.	Type	Part No.	Type	Part No.
Spare arrester 600V nom.	SPD II 0 PV 600VDC	1348520000	—	—	—	—
Spare arrester 1000V nom.	—	—	SPD II 0 PV 1000VDC	1348480000	—	—
Spare arrester 1200V nom.	—	—	—	—	SPD II 0 PV 1200VDC	1348550000
PV SPD assembly w/o relay	SPD II 2 PV 600VDC	1348540000	SPD II 2 PV 1000VDC	1348490000	SPD II 3 PV 1200VDC	1348570000
PV SPD assembly with relay	SPD II 2 R PV 600VDC	1348430000	SPD II 2 R PV 1000VDC	1348500000	SPD II 3 R PV 1200VDC	1348580000



Dimensions



Electrical Function
PSPD II 2 R PV



Electrical Function
PSPD II 3 PV

SPD II DC Surge Protectors

For use on the DC side of photovoltaic installations, typically in a combiner enclosure, protecting the DC output and return conductor to the ground.

SPD II 0 PV 600VDC
SPD II 2 PV 600VDC
SPD II 2 R PV 600VDC



R model shown

SPD II 0 PV 1000VDC
SPD II 2 PV 1000VDC
SPD II 2 R PV 1000VDC



R model shown

SPD II 0 PV 1200VDC
SPD II 3 PV 1200VDC
SPD II 3 R PV 1200VDC



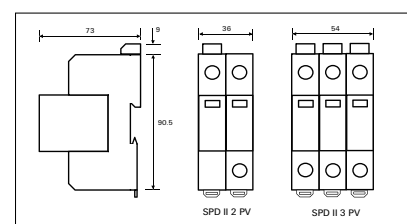
R model shown

Technical Data

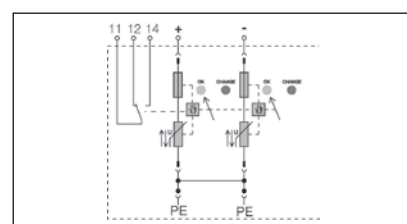
DC Network	600 VDC	1000 VDC	1200 VDC
Connection Mode	Screw connection	Screw connection	Screw connection
Max. Operating Voltage (MCOV)	550 VDC	1000 VDC	1200 VDC
Leakage Current at Uc	<1mA	<1mA	<1mA
UL Category	Type 2	Type 2	Type 2
UL Nominal Discharge Current (In), 5 Impulses 8/20 us	20 kA	20 kA	20 kA
Max. Discharge Current (Imax), 1 Impulse 8/20 us	50 kA	50 kA	50 kA
UL Voltage Protection Rating (VPR)	2 kV	4 kV	4 kV
Protection Level (Up)	≤ 2000 V	≤ 4000 V	≤ 4000 V
UL Short-Circuit Current Rating (SCCR)	200 kA	200 kA	200 kA
Sparkover time / Drop-out time	<100 ns	<100 ns	<100 ns
Overcurrent Protection	No fuse required in discharge circuit	No fuse required in discharge circuit	No fuse required in discharge circuit
Connection (network)	Screw connection, pluggable	Screw connection, pluggable	Screw connection, pluggable
Remote Signal (Contact Rating)	250 V / 0,5 A, 48 VDC /0,1 A	250 V / 0,5 A, 48 VDC /0,1 A	250 V / 0,5 A, 48 VDC /0,1 A
Mounting	DIN-rail, TS 35, TS 35 x 15, TS 35 x 7.5	DIN-rail, TS 35, TS 35 x 15, TS 35 x 7.5	DIN-rail, TS 35, TS 35 x 15, TS 35 x 7.5
Operating Temp	-40°C...+70°C	-40°C...+70°C	-40°C...+70°C
Operating Altitude (Max.)	2000m	2000m	2000m
Relative Humidity	0 - 95% non-condensing	0 - 95% non-condensing	0 - 95% non-condensing
Enclosure Material	Thermoplastic UL94-V0	Thermoplastic UL94-V0	Thermoplastic UL94-V0
Environmental Rating	IP 20	IP 20	IP 20
Weight (g)	274	292	402
Dimensions (mm)	36W x 100H x 73.5D	36W x 100H x 73.5D	54W x 100H x 73.5D
Approvals			
UL 1449 (USA and CANADA)	UL File E354261, Type 2 UL1449 Ed. 3, CSA Electrical Notice No. 516	UL File E354261, Type 2 UL1449 Ed. 3, CSA Electrical Notice No. 516	UL File E354261, Type 2 UL1449 Ed. 3, CSA Electrical Notice No. 516

Ordering Data

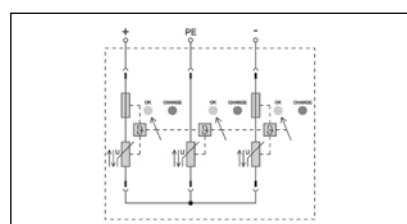
Surge Protector	Type	Part No.	Type	Part No.	Type	Part No.
Spare arrester 600V nom.	SPD II 0 PV 600VDC	1348520000	—	—	—	—
Spare arrester 1000V nom.	—	—	SPD II 0 PV 1000VDC	1348480000	—	—
Spare arrester 1200V nom.	—	—	—	—	SPD II 0 PV 1200VDC	1348550000
PV SPD assembly w/o relay	SPD II 2 PV 600VDC	1348540000	SPD II 2 PV 1000VDC	1348490000	SPD II 3 PV 1200VDC	1348570000
PV SPD assembly with relay	SPD II 2 R PV 600VDC	1348430000	SPD II 2 R PV 1000VDC	1348500000	SPD II 3 R PV 1200VDC	1348580000



Dimensions



Electrical Function
PPSD II 2 R PV



Electrical Function
PPSD II 3 PV

SPD II Surge Protectors

Datasheet

SPD II 1 – Surge Protectors for AC Power Distribution

SPD II PV – Surge Protectors for Photovoltaic Installations



Weidmuller's SPD II 1 series transient voltage surge protectors consist of a range of innovative, compact modules for the protection of low voltage AC distribution systems or (PV models) for DC photovoltaic installations. In AC applications, the SPD II 1 would be installed downstream of the main circuit breaker and fuse(s), connected between each live conductor to be protected and ground. For multi-phase circuits, multiple modules are used with jumper options between ground terminals and permitting a single connection to ground. In photovoltaic applications, the SPD II 1 PV would typically be in a combiner enclosure protecting the DC output and return conductor to ground.

Voltage limiting technology is integrated, which differentiates between transient pulses and longer-lasting overvoltages. This circuitry eliminates the disadvantages of varistor devices (MOVs) which, in competitive products, may switch-on inadvertently in conditions where the supply voltage is not well-regulated. Weidmuller's hybrid arrester design ensures efficient MOV operation and hence conserves energy, maximizes the operating lifetime of the arrester and eliminates arcing when the thermal disconnect operates.

Each module is a two-part construction, comprising a TS35 DIN-rail mountable base and a pluggable replaceable arrester, with each single-conductor assembly only 18mm wide. Products are specified by their working voltage level, or maximum continuous operating voltage (MCOV) and each has a maximum surge current rating of 50kA.

Base/arrester assemblies are available either with or without a remote signaling option and arresters are available as spare parts.

- Models for LV AC distribution or photovoltaic installations
- Quick replacement with spare pluggable, replaceable arresters
- Nominal voltages up to 480VAC (550V MCOV) or 1200VDC
- Maximum surge current (Imax) 50kA
- Remote status signaling option
- UL1449 Ed3 approved and CSA equivalent
- No discharge path fuse needed (Type 2)

Weidmuller, Canada
10 Spy Court
Markham, Ontario L3R 5H6
Telephone: (800) 268-4080
Facsimile: (877) 300-5635
Email: info1@weidmuller.ca
Website: www.weidmuller.ca

Weidmuller, Mexico
Blvd. Hermanos Serdán 698,
Col. San Rafael Oriente
Puebla, Puebla, Mexico
C.P. 72029
Telephone: 01 222 2686267
Facsimile: 01 222 2686219
Email: clientes@weidmuller.com.mx
Website: www.weidmuller.com.mx

Weidmuller, United States
821 Southlake Blvd.
Richmond, Virginia 23236
Telephone: (800) 849-9343
Facsimile: (804) 379-2593
Email: info@weidmuller.com
Website: www.weidmuller.com

For transient voltage protection of single and multi-phase circuits, in the main electrical panel, downstream of the main circuit breaker, or in control panels.

SPD II 0 150V/40kA
SPD II 1 150V/40kA
SPD II 1 R 150V/40kA



R model shown

SPD II 0 280V/40kA
SPD II 1 280V/40kA
SPD II 1 R 280V/40kA



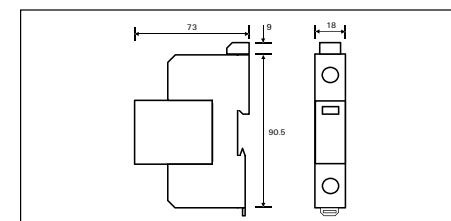
R model shown

Technical Data

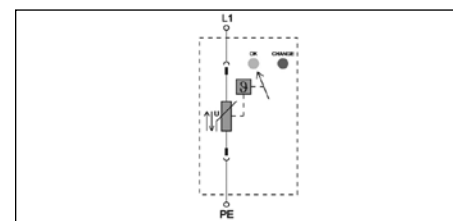
AC Network	120 V, Single phase
Connection Mode	1 Pole, L-N or L-G.
Max. Operating Voltage (MCOV)	150 VAC
Leakage Current at Uc	<1mA
Follow Current	None
UL 1449 Category	Type 2
UL Nominal Discharge Current (In), 15 Impulses 8/20 us	20 kA
Max. Discharge Current (Imax), 1 Impulse 8/20 us	50 kA
UL Voltage Protection Rating (VPR)	1.2 kV
Protection Level (Up)	≤ 1200 V
UL Short-Circuit Current Rating (SCCR)	200 kA
Sparkover time / Drop-out time	<100 ns
Overcurrent Protection	No fuse required in discharge circuit
Connection (network)	Screw connections (2 - 14AWG)
Remote Signal Option (Contact Rating)	250 V / 0,5 A, 48 VDC /0,1 A
Mounting	DIN-rail, TS 35
Operating Temp	-40°C...+70°C
Operating Altitude (Max.)	2,000m
Relative Humidity	0 - 95% non-condensing
Enclosure Material	Thermoplastic UL94-V0
Environmental Rating	IP 20
Weight (g) and Dimensions (mm)	
SPD II 0	66 g; 18W x 45H x 60D
SPD II 1	138 g; 18W x 90H x 73.5D
SPD II 1 R	142 g; 18W x 100H x 73.5D
Approvals	
UL 1449 (USA and CANADA)	UL File E354261, Type 2 UL1449 Ed. 3, CSA Electrical Notice No. 516

Ordering Data

Surge Protector	Type	Part No.
Spare arrester 120V nom.	SPD II 0 150V/40kA	1348330000
Spare arrester 230V nom.	—	—
SPD assembly w/o relay	SPD II 1 150V/40kA	1348340000
SPD assembly with relay	SPD II 1 R 150V/40kA.	1348350000
Bus bars	Type	Part No.
2-pole jumper	QB 18-2	8877540000
3-pole jumper	QB 18-3	8877500000
4-pole jumper	QB 18-4	8877520000



Dimensions



Electrical Function



2-, 3- and 4-pole Jumpers

For transient voltage protection of single and multi-phase circuits, in the main electrical panel, downstream of the main circuit breaker, or in control panels.

SPD II 0 400V/40kA
SPD II 1 400V/40kA
SPD II 1 R 400V/40kA



R model shown

SPD II 0 550V/40kA
SPD II 1 550V/40kA
SPD II 1 R 550V/40kA



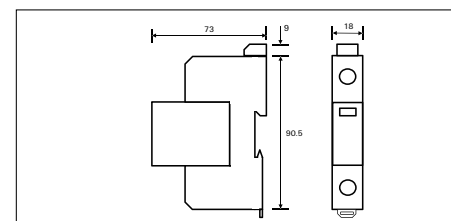
R model shown

Technical Data

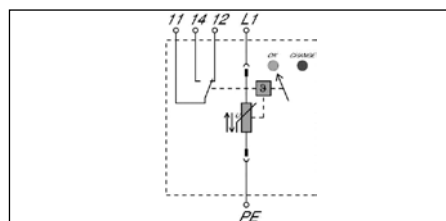
AC Network	277/347 V, Single phase
Connection Mode	1 Pole, L-N or L-G.
Max. Operating Voltage (MCOV)	385 VAC
Leakage Current at Uc	<1mA
Follow Current	None
UL Category	Type 2
UL Nominal Discharge Current (In), 15 Impulses 8/20 us	20 kA
Max. Discharge Current (Imax), 1 Impulse 8/20 us	50 kA
UL Voltage Protection Rating (VPR)	1.8 kV
Protection Level (Up)	≤ 1800 V
UL Short-Circuit Current Rating (SCCR)	200 kA
Sparkover time / Drop-out time	<100 ns
Overcurrent Protection	No fuse required in discharge circuit
Connection (network)	Screw connections (2 - 14AWG)
Remote Signal Option (Contact Rating)	250 V / 0,5 A, 48 VDC /0,1 A
Mounting	DIN-rail, TS 35
Operating Temp	-40°C...+70°C
Operating Altitude (Max.)	2,000m
Relative Humidity	0 - 95% non-condensing
Enclosure Material	Thermoplastic UL94-V0
Environmental Rating	IP 20
Weight (g) and Dimensions (mm)	
SPD II 0	66 g; 18W x 45H x 60D
SPD II 1	138 g; 18W x 90H x 73.5D
SPD II 1 R	150 g; 18W x 100H x 73.5D
Approvals	
UL 1449 (USA and CANADA)	UL File E354261, Type 2 UL1449 Ed. 3, CSA Electrical Notice No. 516

Ordering Data

Surge Protector	Type	Part No.
Spare arrester 277V nom.	SPD II 0 400V/40kA	1348400000
Spare arrester 440/480V nom.	—	—
SPD assembly w/o relay	SPD II 1 400V/40kA	1348420000
SPD assembly with relay	SPD II 1 R 400V/40kA.	1348430000
Bus bars	Type	Part No.
2-pole jumper	QB 18-2	8877540000
3-pole jumper	QB 18-3	8877500000
4-pole jumper	QB 18-4	8877520000



Dimensions

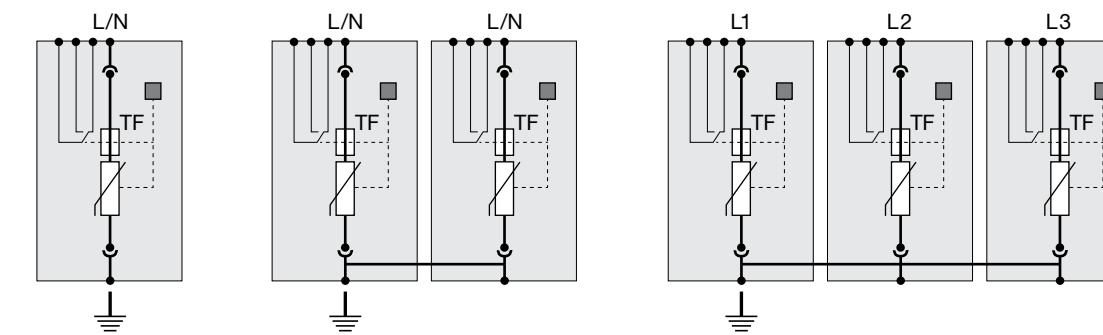


Electrical Function



2-, 3- and 4-pole Jumpers

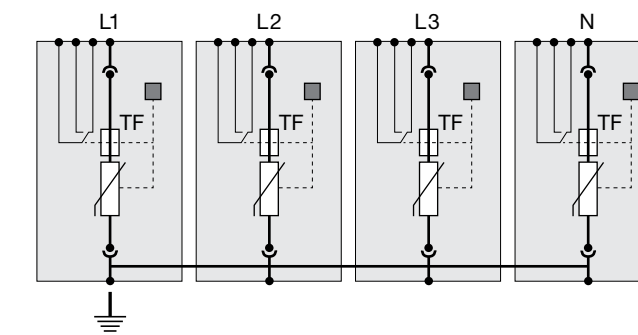
Basic AC configurations 1 (with remote signaling options)



SPD parts needed:

Nom. V	Description	Qty	Qty	Qty	Part No.
110/120V	SPD II 150V/40kA	1	2	3	1348350000
230/240V	SPD II 280V/40kA	1	2	3	1348390000
277V	SPD II 400V/40kA	1	2	3	1348430000
480V	SPD II 550V/40kA	1	2	3	1348470000
All	QB18-2	0	1	0	8877540000
All	QB18-3	0	0	1	8877500000

Basic AC configurations 2 (with remote signaling options)



SPD parts needed:

Nom. V	Description	Qty	Part No.
110/120V	SPD II 1 R 150V/40kA	4	1348350000
230/240V	SPD II 1 R 280V/40kA	4	1348390000
277V	SPD II 1 R 400V/40kA	4	1348430000
480V	SPD II 1 R 550V/40kA	4	1348470000
All	QB 18-4	1	8877520000