

Technical
data

You're striving towards new solutions
We're presenting the best connections of 2015/16
Let's connect.

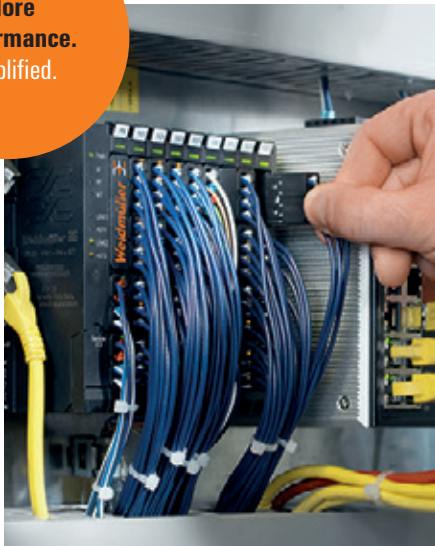


Weidmüller 

News Highlights

Electronics and automation

**More
Performance.
Simplified.**



T.64

Maximum machine performance – safety guaranteed!

u-remote for integrated protection and diagnostics in an ultra-compact format

T.63

Automation of production systems with multiple protection classes

u-remote allows for an integrated signal connection in IP 20 and IP 67



T.78

Take a preventative approach to monitoring plants and processes

ACT20C gateway conveys precise status information on your devices

T.76

Be purposeful when monitoring and optimising plants and processes

ACT20C station with current measuring transducers for due transparency



Connectivity



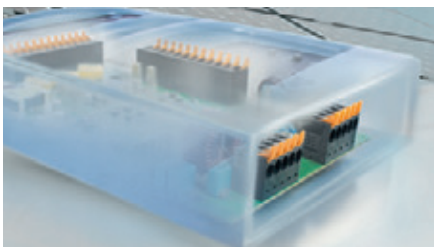
T.118 **Contactless power transmission – maintenance-free and up to 240 W**
FreeCon Contactless: high power density, maximum efficiency

Tools



T.178 **Stripping hard, halogen-free, XL-sized insulation materials**
The stripax® ULtimate XL with an extended cross-section range

Device Connectivity



T.172 **Safe and efficient connection of power electronics devices**
Using our LUF 10.00 PCB terminal with PUSH IN connection system

T.150 **Convenient design and assembly of reliable device solutions**
Innovative M8 and M12 PCB connectors

News Overview

Electronics and automation



T.6 Customised system adaptation, straightforward commissioning
u-remote for maximum fieldbus compatibility and broad diagnostics

T.17 Automation solutions the fast and space-saving way
u-remote HD modules for highest connection density and best handling

T.22 Design automation concepts the easy way
Flexible system solutions for global use with u-remote

T.62 Simple integration of devices with a serial interface
u-remote keeps your automation solutions flexible

T.61 Connect SSI signals locally
A high-performance solution for positioning tasks with u-remote



T.80 High level of measurement accuracy in diverse applications
ACT20P Pro DCDC II impresses with extremely simple configuration

T.82 All-purpose inputs combined with output loop supply
ACT20 signal converters are equipped for diverse applications

T.84 Precisely measure and monitor AC and DC currents
ACT20P CMT current measuring transducers are precise in all situations

T.86 For high process reliability with easy installation work
ACT20P-WavePak: the easy-to-configure signal converter



T.88 Reliably switch industrial loads on a permanent basis
TERMSERIES extension with increased power and longer service life



Connectivity

T.100 **Stabilise control voltages in 24 V DC systems**
Compact and powerful DC/DC converters for an everlasting supply

T.104 **Reliable monitoring of plant efficiency**
Simple and secure performance monitoring with Transclinic 16i+



T.106 **Connect main lines on the smallest of spaces**
Slim main line branch terminals approved for aluminium conductors

T.110 **The secure and efficient way of distributing supplied power**
Optimised distribution blocks guarantee comfort and space gains

T.116 **Simplify potential equalisation over long distances**
With easy-to-install blocks for production lines

T.120 **Fieldattachable RJ45 connectors for up to 10 Gbit/s**
Angled and straight version for optimum cable arrangement

T.124 **Shorter assembly times in robotics and field cabling**
Efficient solutions for power, PROFINET and signal cables



News Overview

Connectivity

T.126 Reliably connect devices via Industrial Ethernet
IP 67-protected V4 interfaces in accordance with IEC 61076-3-106



T.128 Efficient access to systems and processes
FrontCom® Vario – even more flexible thanks to new inserts

T.164 Individual and space-efficient motor supply in the field
Pluggable SAI MVV 1:1 motor distributor



T.168 Reliable component connection in photovoltaic systems
WM4 C – crimp-connection technology in accordance with DIN EN 50521

Enclosure system



T.170 Safeguard processes in potentially explosive atmospheres
Ex cable glands for safe devices as per EN 60079-0:2012

Device Connectivity



T.174 The simple way to connect wires with cross-sections up to 1.5 mm²
LS2HF with PUSH IN connection system on two connection levels

T.176 Implement complex supply solutions in the smallest of spaces
OMNIMATE Power – the compact, two-row connection solutions



WIN! Weidmüller Information & News

Tools



T.180 **Crimp large cross-sections with minimum effort**
It's easy with the PZ 10 HEX and PZ 10 SQR

T.182 **Faster cable-related work processes**
Automatically strip wires and sheaths for various cable types

In the online section of our customer magazine WIN! we keep you up-to-date about news and stories from the world of Industrial Connectivity. Learn through interviews, commentaries and background articles, what moves us and our markets to date. Furthermore, the exemplary stories of our customers' projects give you an idea of how our solutions shape our focus industries in practice.

Visit the magazine section of our website with its regularly updated news and stories:
www.weidmueller.com/WIN

**Experience the best connections of 2015/16
online on our innovations platform:**

www.weidmueller.com/best-connections

Here, you will find our new products in the application with detailed product benefits – also available for download.

If you prefer an overview in printed form, you can also order the catalogue here under the following order no.:

2168310000

Let's connect.

We constantly offer up-to-date ordering data and technical details on our full range of products at:
catalog.weidmueller.com

PROFIBUS

- 2 x 10 A current paths
- Address can be set using rotary switch
- Web server
- System supply of 64 I/O modules
- Temperature range -20... +60 °C
- PROFIBUS DP-V1 up to 12 Mbaud

UR20-FBC-PB-DP



Technical data

System data	
Connection	9-pin SUB-D connector
Field bus protocol	PROFIBUS DP-V1
Process data	488 Bytes
Parameter data	244 Bytes
Diagnostic data	244 Bytes
Max. number of I/O modules	64
Configuration interface	Micro USB 2.0
Transmission rate of field bus	12 Mbps
Transmission speed of u-remote system bus	48 Mbps
Supply	
Supply voltage for system and inputs	24 V DC +20 % / -15 %
Supply voltage for outputs	24 V DC +20 % / -15 %
Feed current for input modules, max.	10 A
Feed current for output modules, max.	10 A
Current consumption (I _N in power segment of field bus coupler), typ.	100 mA
General data	
Weight	220 g
Dimensions (H/W/D)	120 mm (with catch lever 128 mm) x 52 mm x 76 mm
Note	
Download of GSD-file on www.weidmueller.com	

Type	Qty.	Order No.
UR20-FBC-PB-DP	1	1334870000

A termination kit (UR20-EBK-ACC) is included in the coupler package

Ordering data

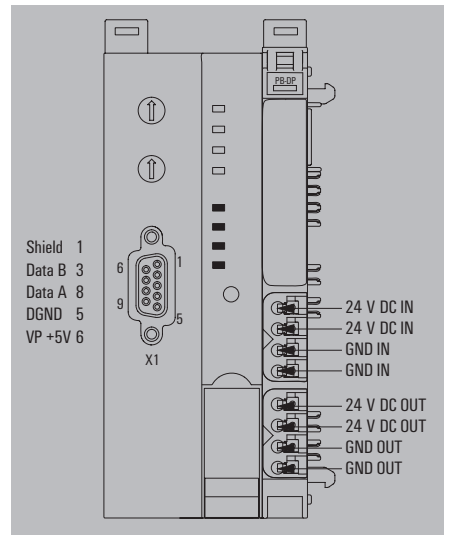
Module variants	
Field bus coupler, PROFIBUS DP-V1	
Note	

Accessories

Type	Qty.	Order No.
KOSM BHZ5.00	100	1483050000
UR20-EBK-ACC	5	1346610000
UR20-SM-ACC	20	1339920000
PM 2.7/2.6 MC SDRVPE	192	1323700000
PM 2.7/2.6 MC NE WS	960	1323710000
DEK 5/8-11.5 MC SDR	100	1341610000
DEK 5/8-11.5 MC NE WS	500	1341630000
THM UR20 GE ^{*1)}	1	1429910000
THM UR20 WS ^{*1)}	1	1429420000
ESD UR20 DIN A4 WS ^{*2)}	10	1429430000
IE-C6FP8LE0015M40M40-E	1	1487980000
UR20-PK-1334870000-SP	5	1361520000

^{*1)} 1 roll = 1000 label = 1 Qty.
^{*2)} 1 sheet = 60 label = 1 Qty.

Product standard	IEC 61131-2
EMC	EN 61000
ATEX	EN 60079
UL	UL 508
MSIP	MSIP-REM-WMG-1334870000



Let's connect.

PROFINET

- 2 x 10 A current paths
- Web server
- System supply of 64 I/O modules
- Temperature range -20... +60 °C
- PROFINET IRT/RT capable
- PROFINET diagnosis
- LLDP - Neighborhood detection

UR20-FBC-PN-IRT



Technical data

System data	
Connection	2 x RJ-45
Field bus protocol	PROFINET IO (RT/IRT)
Process data	1.024 Bytes
Parameter data	1.485 Bytes
Diagnostic data	1.485 Bytes
Fast startup	yes
Max. number of I/O modules	64
Configuration interface	Micro USB 2.0
Transmission rate of field bus	100 Mbps
Transmission speed of u-remote system bus	48 Mbps
Supply	
Supply voltage for system and inputs	24 V DC +20 % / -15 %
Supply voltage for outputs	24 V DC +20 % / -15 %
Feed current for input modules, max.	10 A
Feed current for output modules, max.	10 A
Current consumption (I _{in} in power segment of field bus coupler), typ.	116 mA
General data	
Weight	220 g
Dimensions (H/W/D)	120 mm (with catch lever 128 mm) x 52 mm x 76 mm
Note	Download of GSDML-file on www.weidmueller.com

Ordering data

Module variants	
Field bus coupler, PROFINET IRT	
Note	

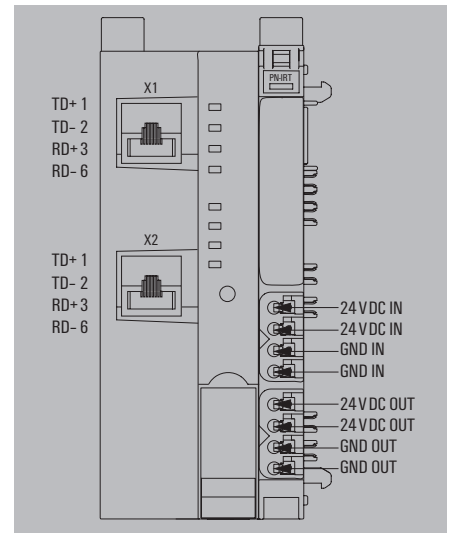
Accessories

Coding elements	
Termination kit	
Swivel marker	
Connection marker for pusher custom printing	
Connection marker for pusher neutral	
Module marker for custom printing	
Module marker for neutral	
Thermotransfer version (Material: Polyester)	
Thermotransfer version (Material: Polyester)	
Paper version for Laserprinter	
USB cable (USB A to Micro USB)	
Replacement parts	
Plug-in connector unit	
Note	

2 x RJ-45
PROFINET IO (RT/IRT)
1.024 Bytes
1.485 Bytes
1.485 Bytes
yes
64
Micro USB 2.0
100 Mbps
48 Mbps
24 V DC +20 % / -15 %
24 V DC +20 % / -15 %
10 A
10 A
116 mA
220 g
120 mm (with catch lever 128 mm) x 52 mm x 76 mm
Download of GSDML-file on www.weidmueller.com

Type	Qty.	Order No.
UR20-FBC-PN-IRT	1	1334880000
A termination kit (UR20-EBK-ACC) is included in the coupler package		

Type	Qty.	Order No.
KDSM BHZ5.00	100	1483050000
UR20-EBK-ACC	5	1346610000
UR20-SM-ACC	20	1339920000
PM 2.7/2.6 MC SDR	192	1323700000
PM 2.7/2.6 MC NE WS	960	1323710000
DEK 5/8-11.5 MC SDR	100	1341610000
DEK 5/8-11.5 MC NE WS	500	1341630000
THM UR20 GE * ¹⁾	1	1429910000
THM UR20 WS * ¹⁾	1	1429420000
ESO UR20 DIN A4 WS * ²⁾	10	1429430000
IE-C6FP8LE0015M40M40-E	1	1487980000
UR20-PK-1334880000-SP	5	1484120000
* ¹⁾ 1 roll = 1000 label = 1 Qty.		
* ²⁾ 1 sheet = 60 label = 1 Qty.		



Product standard	IEC 61131-2
EMC	EN 61000
ATEX	EN 60079
UL	UL 508
MSIP	MSIP-REM-WMG-1334880000



Let's connect.

EtherCAT

- 2 x 10 A current paths
- Web server
- System supply of 64 I/O modules
- Temperature range -20... +60 °C
- Various EtherCAT services

UR20-FBC-EC



Technical data

System data	
Connection	2 x RJ-45
Field bus protocol	EtherCAT
Process data	1024 Byte
Parameter data	64 x 64 = 4KB
Diagnostic data	64 x 50 Bytes
Max. number of modules	64
Configuration interface	Micro USB 2.0
Transmission rate of field bus	100 Mbps
Transmission speed of u-remote system bus	48 Mbps
Supply	
Supply voltage for system and inputs	24 V DC +20 % / -15 %
Supply voltage for outputs	24 V DC +20 % / -15 %
Feed current for input modules, max.	10 A
Feed current for output modules, max.	10 A
Current consumption (I _N in power segment of field bus coupler), typ.	130 mA
General data	
Weight	220 g
Dimensions (H/W/D)	120 mm (with catch lever 128 mm) x 52 mm x 76 mm
Note	
Download of ESI-file on www.weidmueller.com	

Connection	2 x RJ-45
Field bus protocol	EtherCAT
Process data	1024 Byte
Parameter data	64 x 64 = 4KB
Diagnostic data	64 x 50 Bytes
Max. number of modules	64
Configuration interface	Micro USB 2.0
Transmission rate of field bus	100 Mbps
Transmission speed of u-remote system bus	48 Mbps
Supply	
Supply voltage for system and inputs	24 V DC +20 % / -15 %
Supply voltage for outputs	24 V DC +20 % / -15 %
Feed current for input modules, max.	10 A
Feed current for output modules, max.	10 A
Current consumption (I _N in power segment of field bus coupler), typ.	130 mA
General data	
Weight	220 g
Dimensions (H/W/D)	120 mm (with catch lever 128 mm) x 52 mm x 76 mm
Note	
Download of ESI-file on www.weidmueller.com	

Ordering data

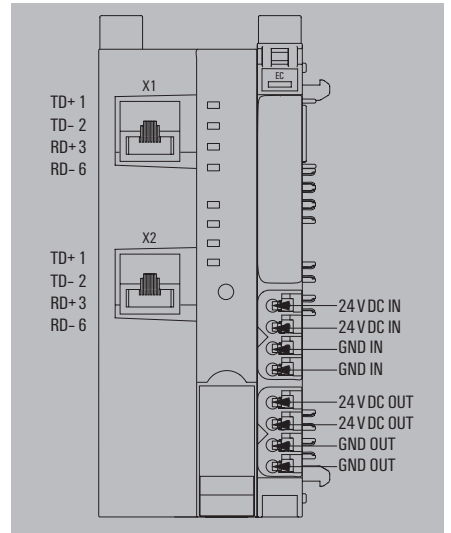
Module variants	
Field bus coupler, EtherCAT	
Note	
A termination kit (UR20-EBK-ACC) is included in the coupler package	

Type	Qty.	Order No.
UR20-FBC-EC	1	1334910000

Accessories

Accessories	
Coding elements	
Termination kit	
Swivel marker	
Connection marker for pusher custom printing	
Connection marker for pusher neutral	
Module marker for custom printing	
Module marker for neutral	
Thermotransfer version (Material: Polyester)	
Thermotransfer version (Material: Polyester)	
Paper version for Laserprinter	
USB cable (USB A to Micro USB)	
Replacement parts	
Plug-in connector unit	
Note	
* ¹) 1 roll = 1000 label = 1 Qty. * ²) 1 sheet = 60 label = 1 Qty.	

Type	Qty.	Order No.
KOSM BHZ5.00	100	1483050000
UR20-EBK-ACC	5	1346610000
UR20-SM-ACC	20	1339920000
PM 2.7/2.6 MC SDR	192	1323700000
PM 2.7/2.6 MC NE WS	960	1323710000
DEK 5/8-11.5 MC SDR	100	1341610000
DEK 5/8-11.5 MC NE WS	500	1341630000
THM UR20 GE * ¹)	1	1429910000
THM UR20 WS * ¹)	1	1429420000
ESD UR20 DIN A4 WS * ²)	10	1429430000
IE-C6FP8LE0015M40M40-E	1	1487980000
UR20-PK-1334910000-SP	5	1484440000



Product standard	
Product standard	IEC 61131-2
EMC	EN 61000
ATEX	EN 60079
UL	UL 508
MSIP	MSIP-REM-WMG-1334910000



Let's connect.

Modbus-TCP

- 2 x 10 A current paths
- Various Modbus services
- Web server
- System supply of 64 I/O modules
- Temperature range -20... +60 °C

UR20-FBC-MOD-TCP



Technical data

System data

Connection	2 x RJ-45
Field bus protocol	Modbus TCP
Process data	8 kBytes
Parameter data	1.024 Bytes
Diagnostic data	1.024 Bytes
Max. number of modules	64
Configuration interface	Micro USB 2.0
Transmission rate of field bus	100 Mbps
Transmission speed of u-remote system bus	48 Mbps

Supply

Supply voltage for system and inputs	24 V DC +20 % / -15 %
Supply voltage for outputs	24 V DC +20 % / -15 %
Feed current for input modules, max.	10 A
Feed current for output modules, max.	10 A
Current consumption (I _N in power segment of field bus coupler), typ.	112 mA

General data

Weight	220 g
Dimensions (H/W/D)	120 mm (with catch lever 128 mm) x 52 mm x 76 mm

Ordering data

Module variants

Field bus coupler, Modbus TCP

Note

Type	Qty.	Order No.
UR20-FBC-MOD-TCP	1	1334930000

A termination kit (UR20-EBK-ACC) is included in the coupler package

Accessories

Coding elements
Termination kit
Swivel marker
Connection marker for pusher custom printing
Connection marker for pusher neutral
Module marker for custom printing
Module marker for neutral
Thermotransfer version (Material: Polyester)
Thermotransfer version (Material: Polyester)
Paper version for Laserprinter
USB cable (USB A to Micro USB)

Replacement parts

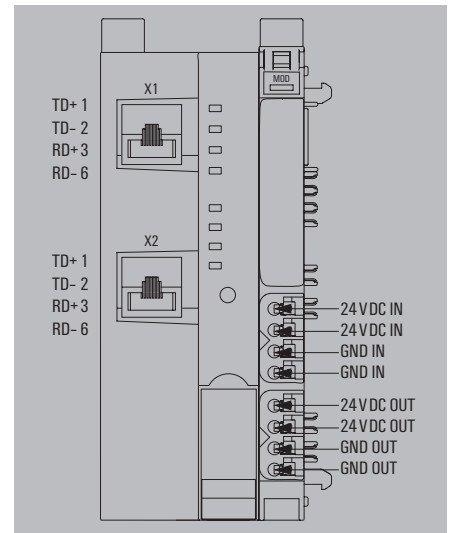
Plug-in connector unit

Note

Type	Qty.	Order No.
KOSM BHZ5.00	100	1483050000
UR20-EBK-ACC	5	1346610000
UR20-SM-ACC	20	1339920000
PM 2.7/2.6 MC SDR	192	1323700000
PM 2.7/2.6 MC NE WS	960	1323710000
DEK 5/8-11.5 MC SDR	100	1341610000
DEK 5/8-11.5 MC NE WS	500	1341630000
THM UR20 GE ^{*1)}	1	1429910000
THM UR20 WS ^{*1)}	1	1429420000
ESD UR20 DIN A4 WS ^{*2)}	10	1429430000
IE-C6FP8LE0015M40M40-E	1	1487980000

UR20-PK-1334930000-SP	5	1484130000
-----------------------	---	------------

^{*1)} 1 roll = 1000 label = 1 Qty.
^{*2)} 1 sheet = 60 label = 1 Qty.



Product standard	IEC 61131-2
EMC	EN 61000
ATEX	EN 60079
UL	UL 508
MSIP	MSIP-REM-WMG-1334930000



Let's connect.

Ethernet/IP

- 2 x 10 A current paths
- Web server
- System supply of 64 I/O modules
- Temperature range -20... +60 °C

UR20-FBC-EIP



Technical data

System data	
Connection	2 x RJ-45
Field bus protocol	Ethernet/IP
Process data	max. 2*494 Byte
Parameter data	max. 64*64 Byte
Diagnostic data	max. 64*47 Byte
Max. number of I/O modules	64
Configuration interface	Micro USB 2.0
Transmission rate of field bus	100 Mbps
Transmission speed of u-remote system bus	48 Mbps
Supply	
Supply voltage for system and inputs	24 V DC +20 % / -15 %
Supply voltage for outputs	24 V DC +20 % / -15 %
Feed current for input modules, max.	10 A
Feed current for output modules, max.	10 A
Current consumption (I _N in power segment of field bus coupler), typ.	112 mA
General data	
Weight	220 g
Dimensions (H/W/D)	120 mm (with catch lever 128 mm) x 52 mm x 76 mm
Note	
Download of EDS-file on www.weidmuller.com	

Connection	2 x RJ-45
Field bus protocol	Ethernet/IP
Process data	max. 2*494 Byte
Parameter data	max. 64*64 Byte
Diagnostic data	max. 64*47 Byte
Max. number of I/O modules	64
Configuration interface	Micro USB 2.0
Transmission rate of field bus	100 Mbps
Transmission speed of u-remote system bus	48 Mbps
Supply	
Supply voltage for system and inputs	24 V DC +20 % / -15 %
Supply voltage for outputs	24 V DC +20 % / -15 %
Feed current for input modules, max.	10 A
Feed current for output modules, max.	10 A
Current consumption (I _N in power segment of field bus coupler), typ.	112 mA
General data	
Weight	220 g
Dimensions (H/W/D)	120 mm (with catch lever 128 mm) x 52 mm x 76 mm
Note	
Download of EDS-file on www.weidmuller.com	

Ordering data

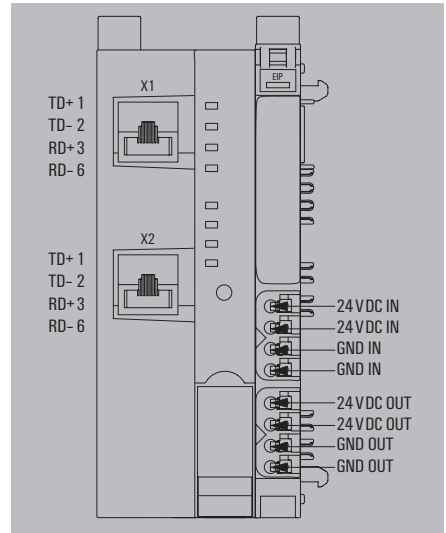
Module variants	
Field bus coupler, EtherNet/IP	
Note	

Type	Qty.	Order No.
UR20-FBC-EIP	1	1334920000
Note		
A termination kit (UR20-EBK-ACC) is included in the coupler package		

Accessories

Coding elements	
Termination kit	
Swivel marker	
Connection marker for pusher custom printing	
Connection marker for pusher neutral	
Module marker for custom printing	
Module marker for neutral	
Thermotransfer version (Material: Polyester)	
Thermotransfer version (Material: Polyester)	
Paper version for Laserprinter	
USB cable (USB A to Micro USB)	
Replacement parts	
Plug-in connector unit	
Note	

Type	Qty.	Order No.
KOSM BHZ5.00	100	1483050000
UR20-EBK-ACC	5	1346610000
UR20-SM-ACC	20	1339920000
PM 2.7/2.6 MC SDR	192	1323700000
PM 2.7/2.6 MC NE WS	960	1323710000
DEK 5/8-11.5 MC SDR	100	1341610000
DEK 5/8-11.5 MC NE WS	500	1341630000
THM UR20 GE ^{*1)}	1	1429910000
THM UR20 WS ^{*1)}	1	1429420000
ESD UR20 DIN A4 WS ^{*2)}	10	1429430000
IE-C6FP8LE0015M40M40-E	1	1487980000
UR20-PK-1334920000-SP	5	1541290000
*1) 1 roll = 1000 label = 1 Qty.		
*2) 1 sheet = 60 label = 1 Qty.		



Product standard	IEC 61131-2
EMC	EN 61000
ATEX	EN 60079
UL	UL 508



Let's connect.

DeviceNet

- 2 x 10 A current paths
- Web server
- System supply of 64 I/O modules
- Temperature range -20... +60 °C

UR20-FBC-DN



Technical data

System data

Connection
Field bus protocol
Process data
Parameter data
Diagnostic data
Max. number of I/O modules
Configuration interface
Transmission rate of field bus
Transmission speed of u-remote system bus

Supply

Supply voltage for system and inputs
Supply voltage for outputs
Feed current for input modules, max.
Feed current for output modules, max.
Current consumption (I_{IN} in power segment of field bus coupler), typ.

General data

Weight
Dimensions (H/W/D)

Note

Socket for 5-pole PCB plug-in connector
DeviceNet
1008 Byte
64*64 Byte = 4 KB
64*47 Byte
64
Micro USB 2.0
max. 500 kBit/s
max. 48 Mbps

24 V DC +20 % / -15 %
24 V DC +20 % / -15 %
10 A
10 A

75 mA (+ 15 mA from DeviceNet supply)

225 g
120 mm (with catch lever 128 mm) x 52 mm x 76 mm

Download of EDS-file on www.weidmueller.com

Ordering data

Module variants

Field bus coupler, DeviceNet

Note

Type	Qty.	Order No.
UR20-FBC-DN	1	1334900000

A termination kit (UR20-EBK-ACC) is included in the coupler package

Accessories

Coding elements
Termination kit
Swivel marker
Connection marker for pusher custom printing
Connection marker for pusher neutral
Module marker for custom printing
Module marker for neutral
Thermotransfer version (Material: Polyester)
Thermotransfer version (Material: Polyester)
Paper version for Laserprinter
USB cable (USB A to Micro USB)
PCB plug-in connector, socket plug, 5 pole, 10 pin
PCB plug-in connector, socket plug, 5 pole, 5 pin

Replacement parts

Plug-in connector unit

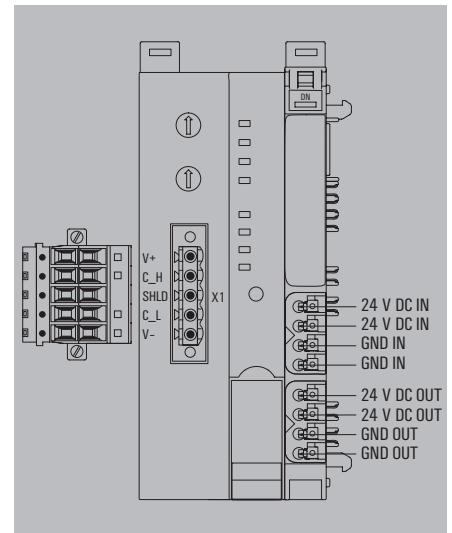
Note

Type	Qty.	Order No.
KOSM BHZ5.00	100	1483050000
UR20-EBK-ACC	5	1346610000
UR20-SM-ACC	20	1339920000
PM 2.7/2.6 MC SDR	192	1323700000
PM 2.7/2.6 MC NE WS	960	1323710000
DEK 5/8-11.5 MC SDR	100	1341610000
DEK 5/8-11.5 MC NE WS	500	1341630000
THM UR20 GE ^{*1)}	1	1429910000
THM UR20 WS ^{*1)}	1	1429420000
ESD UR20 DIN A4 WS ^{*2)}	10	1429430000
IE-C6FP8LE0015M40M40-E	1	1487980000
BLDZ DN5.08/05/180F GY BX PRT	50	1919990000
BLZ DN 5.08/05/180F AU GY BX PRT	50	1933550000

Type	Qty.	Order No.
UR20-PK-1334900000-SP	5	2003540000

^{*1)} 1 roll = 1000 label = 1 Qty.

^{*2)} 1 sheet = 60 label = 1 Qty.



Product standard	IEC 61131-2
EMC (in preparation)	EN 61000
ATEX (in preparation)	EN 60079
UL (in preparation)	UL 61010-2-201
MSIP (in preparation)	MSIP-REM-WMG-1334900000



Let's connect.

CANopen

- 2 x 10 A current paths
- Web server
- System supply of 64 I/O modules
- Temperature range -20... +60 °C

UR20-FBC-CAN



Technical data

System data

Connection
 Field bus protocol
 Process data
 Parameter data
 Diagnostic data
 Max. number of I/O modules
 Configuration interface
 Transmission rate of field bus
 Transmission speed of u-remote system bus

Supply

Supply voltage for system and inputs
 Supply voltage for outputs
 Feed current for input modules, max.
 Feed current for output modules, max.
 Current consumption (I_N in power segment of field bus coupler), typ.

General data

Weight
 Dimensions (H/W/D)

Note

9-pole Sub-D socket
 CANopen
 488 Byte
 244 Byte
 244 Byte
 64
 Micro USB 2.0
 max. 1 Mbps
 max. 48 Mbps

24 V DC +20 % / -15 %
 24 V DC +20 % / -15 %
 10 A
 10 A
 90 mA

227 g
 120 mm (with catch lever 128 mm) x 52 mm x 76 mm
 Download of EDS-file on www.weidmueller.com

Ordering data

Module variants

Field bus coupler, CANopen

Note

Type	Qty.	Order No.
UR20-FBC-CAN	1	1334890000

A termination kit (UR20-EBK-ACC) is included in the coupler package

Accessories

- Coding elements
- Termination kit
- Swivel marker
- Connection marker for pusher custom printing
- Connection marker for pusher neutral
- Module marker for custom printing
- Module marker for neutral
- Thermotransfer version (Material: Polyester)
- Thermotransfer version (Material: Polyester)
- Paper version for Laserprinter
- USB cable (USB A to Micro USB)

Replacement parts

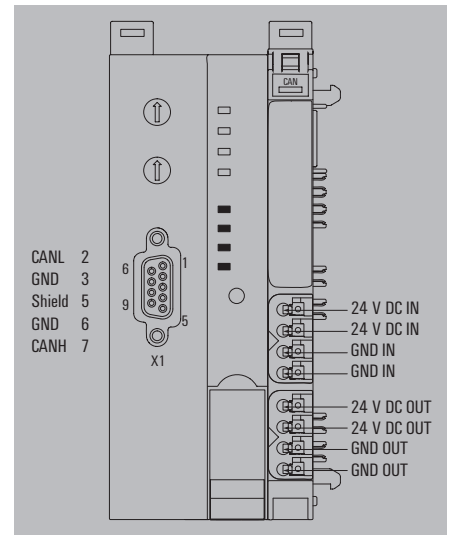
Plug-in connector unit

Note

Type	Qty.	Order No.
KOSM BHZ5.00	100	1483050000
UR20-EBK-ACC	5	1346610000
UR20-SM-ACC	20	1339920000
PM 2.7/2.6 MC SDR	192	1323700000
PM 2.7/2.6 MC NE WS	960	1323710000
DEK 5/8-11.5 MC SDR	100	1341610000
DEK 5/8-11.5 MC NE WS	500	1341630000
THM UR20 GE ^{*1)}	1	1429910000
THM UR20 WS ^{*1)}	1	1429420000
ESD UR20 DIN A4 WS ^{*2)}	10	1429430000
IE-C6FP8LE0015M40M40-E	1	1487980000

UR20-PK-1334890000-SP	5	2003530000
-----------------------	---	------------

^{*1)} 1 roll = 1000 label = 1 Qty.
^{*2)} 1 sheet = 60 label = 1 Qty.



Product standard	IEC 61131-2
EMC (in preparation)	EN 61000
ATEX (in preparation)	EN 60079
UL (in preparation)	UL 61010-2-201
MSIP (in preparation)	MSIP-REM-WMG-1334890000



Let's connect.

4DI-P

- 4 digital inputs for sensors such as transmitters, switches and proximity sensors
- Positive switching
- Reverse polarity protection
- 2-wire, 3-wire, 3-wire+FE connection
- Input filter can be set channel by channel
- Integrated sensor supply
- Types 1 and 3 acc. to IEC 61131-2

UR20-4DI-P



Technical data

System data	
Interface	u-remote system bus
Transmission rate of system bus	48 Mbps
Galvanic isolation	DC 500 V between current paths
Supply	
Voltage supply	24 V DC +20 % / -15 % via the system bus
Current consumption (I _N in power segment of field bus coupler), typ.	8 mA
Current consumption (I _N in the respective power segment)	< 12 mA + sensor feed
Digital inputs	
Number	4
Input Type	Types 1 and 3, IEC 61131-2
Input filter	adjustable, up to 40 ms
Input voltage, low	< 5 V
Input voltage, high	> 11 V
Sensor supply	yes
Sensor connection	2-wire, 3-wire, 3-wire+FE
Reverse polarity protection	yes
Module diagnosis	yes
Individual channel diagnosis	no
General data	
Weight	87 g
Dimensions (H/W/D)	120 mm (with catch lever 128 mm) x 11,5 mm x 76 mm

Ordering data

Module variants	
Digital input module, 4 channels	

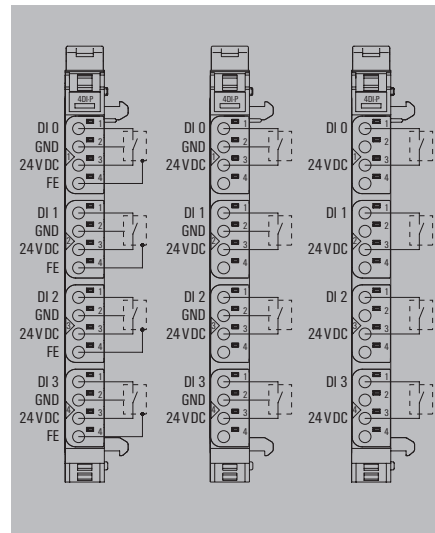
Type	Qty.	Order No.
UR20-4DI-P	1	1315170000

Accessories

Accessories	
Coding elements	KDSM BHZ5.00 100 1483050000
Termination kit	UR20-EBK-ACC 5 1346610000
Swivel marker	UR20-SM-ACC 20 1339920000
Connection marker for pusher custom printing	PM 2.7/2.6 MC SDR 192 1323700000
Connection marker for pusher neutral	PM 2.7/2.6 MC NE WS 960 1323710000
Module marker for custom printing	DEK 5/8-11.5 MC SDR 100 1341610000
Module marker for neutral	DEK 5/8-11.5 MC NE WS 500 1341630000
Thermotransfer version (Material: Polyester)	THM UR20 GE * ¹⁾ 1 1429910000
Thermotransfer version (Material: Polyester)	THM UR20 WS * ¹⁾ 1 1429420000
Paper version for Laserprinter	ESO UR20 DIN A4 WS * ²⁾ 10 1429430000
Replacement parts	
Electronics module	UR20-EM-1315170000-SP 1 1346640000
Basic module	UR20-BM-SP 5 1350930000
Plug-in connector unit	UR20-PK-1315170000-SP 5 1346440000
Note	

Type	Qty.	Order No.
UR20-EM-1315170000-SP	1	1346640000
UR20-BM-SP	5	1350930000
UR20-PK-1315170000-SP	5	1346440000

*¹⁾ 1 roll = 1000 label = 1 Qty.
 *²⁾ 1 sheet = 60 label = 1 Qty.



Product standard	IEC 61131-2
EMC	EN 61000
ATEX	EN 60079
UL	UL 508
MSIP	MSIP-REM-WMG-1315170000



Let's connect.

Technical data
 Machinery
 Process
 Energy
 Transportation
 Device Manufacturers

4DI-P-3W

- 4 digital inputs for sensors such as transmitters, switches and proximity sensors
- Positive switching
- Reverse polarity protection
- 2-wire and 3-wire connection
- Input filter can be set channel by channel
- Integrated sensor supply
- Types 1 and 3 acc. to IEC 61131-2

UR20-4DI-P-3W



Technical data

System data	
Interface	u-remote system bus
Transmission rate of system bus	48 Mbps
Galvanic isolation	DC 500 V between current paths
Supply	
Voltage supply	24 V DC +20 % / - 15 % via the system bus
Current consumption (I _N in power segment of field bus coupler), typ.	8 mA
Current consumption (I _N in the respective power segment)	< 10 mA + sensor feed
Digital inputs	
Number	4
Input Type	Types 1 and 3, IEC 61131-2
Input filter	adjustable, up to 40 ms
Input voltage, low	< 5 V
Input voltage, high	> 11 V
Sensor supply	yes
Sensor connection	2-wire, 3-wire
Reverse polarity protection	yes
Module diagnosis	yes
Individual channel diagnosis	no
General data	
Weight	87 g
Dimensions (H/W/D)	120 mm (with catch lever 128 mm) x 11.5 mm x 76 mm

u-remote system bus		
Interface		u-remote system bus
Transmission rate of system bus		48 Mbps
Galvanic isolation		DC 500 V between current paths
Supply		
Voltage supply		24 V DC +20 % / - 15 % via the system bus
Current consumption (I _N in power segment of field bus coupler), typ.		8 mA
Current consumption (I _N in the respective power segment)		< 10 mA + sensor feed
Digital inputs		
Number		4
Input Type		Types 1 and 3, IEC 61131-2
Input filter		adjustable, up to 40 ms
Input voltage, low		< 5 V
Input voltage, high		> 11 V
Sensor supply		yes
Sensor connection		2-wire, 3-wire
Reverse polarity protection		yes
Module diagnosis		yes
Individual channel diagnosis		no
General data		
Weight		87 g
Dimensions (H/W/D)		120 mm (with catch lever 128 mm) x 11.5 mm x 76 mm

Ordering data

Module variants	
Digital input module, 4 channels, 3-wire	

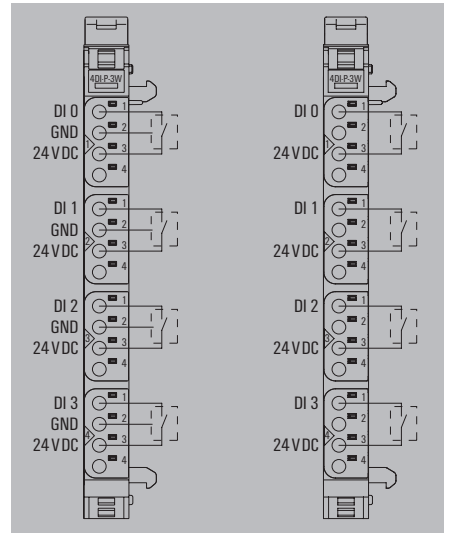
Type	Qty.	Order No.
UR20-4DI-P-3W	1	2009360000

Accessories

Accessories	
Coding elements	KDSM BHZ5.00
Termination kit	UR20-EBK-ACC
Swivel marker	UR20-SM-ACC
Connection marker for pusher custom printing	PM 2.7/2.6 MC SDR
Connection marker for pusher neutral	PM 2.7/2.6 MC NE WS
Module marker for custom printing	DEK 5/8-11.5 MC SDR
Module marker for neutral	DEK 5/8-11.5 MC NE WS
Thermotransfer version (Material: Polyester)	THM UR20 GE * ¹⁾
Thermotransfer version (Material: Polyester)	THM UR20 WS * ¹⁾
Paper version for Laserprinter	ESO UR20 DIN A4 WS * ²⁾
Replacement parts	
Electronics module	UR20-EM-2009360000-SP
Basic module	UR20-BM-SP
Plug-in connector unit	UR20-PK-2009360000-SP
Note	

Type	Qty.	Order No.
KDSM BHZ5.00	100	1483050000
UR20-EBK-ACC	5	1346610000
UR20-SM-ACC	20	1339920000
PM 2.7/2.6 MC SDR	192	1323700000
PM 2.7/2.6 MC NE WS	960	1323710000
DEK 5/8-11.5 MC SDR	100	1341610000
DEK 5/8-11.5 MC NE WS	500	1341630000
THM UR20 GE * ¹⁾	1	1429910000
THM UR20 WS * ¹⁾	1	1429420000
ESO UR20 DIN A4 WS * ²⁾	10	1429430000
UR20-EM-2009360000-SP	1	2011260000
UR20-BM-SP	5	1350930000
UR20-PK-2009360000-SP	5	2011240000

*¹⁾ 1 roll = 1000 label = 1 Qty.
 *²⁾ 1 sheet = 60 label = 1 Qty.



Product standard	IEC 61131-2
EMC (in preparation)	EN 61000
ATEX (in preparation)	EN 60079
UL (in preparation)	UL 61010-2-201
MSIP (in preparation)	MSIP-REM-WMG-2009360000



Let's connect.

8DI-P-2W

- 8 digital inputs for sensors such as transmitters, switches and proximity sensors
- Positive switching
- Reverse polarity protection
- 2-wire connection
- Input filter can be set channel by channel
- Types 1 and 3 acc. to IEC 61131-2

UR20-8DI-P-2W



Technical data

System data
Interface
Transmission rate of system bus
Galvanic isolation
Supply
Voltage supply
Current consumption (I_{IN} in power segment of field bus coupler), typ.
Current consumption (I_{IN} in the respective power segment)
Digital inputs
Number
Input Type
Input filter
Input voltage, low
Input voltage, high
Sensor supply
Sensor connection
Reverse polarity protection
Module diagnosis
Individual channel diagnosis
General data
Weight
Dimensions (H/W/D)

u-remote system bus
48 Mbps
DC 500 V between current paths
24 V DC +20 % / - 15 % via the system bus
8 mA
< 22 mA
8
Types 1 and 3, IEC 61131-2
adjustable, up to 40 ms
< 5 V
> 11 V
yes
2-wire
yes
yes
no
83 g
120 mm (with catch lever 128 mm) x 11,5 mm x 76 mm

Ordering data

Module variants
Digital input module, 8 channels, 2-wire

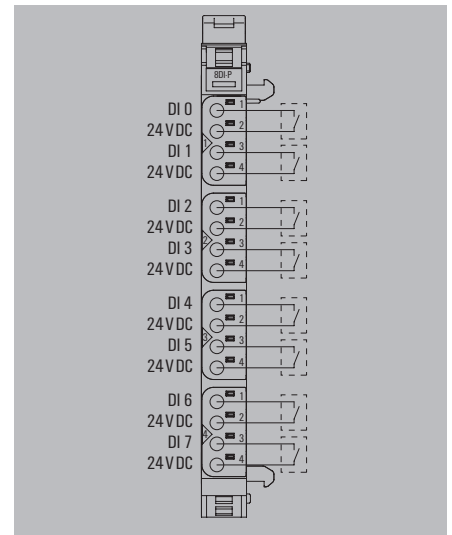
Type	Qty.	Order No.
UR20-8DI-P-2W	1	1315180000

Accessories

Coding elements
Termination kit
Swivel marker
Connection marker for pusher custom printing
Connection marker for pusher neutral
Module marker for custom printing
Module marker for neutral
Thermotransfer version (Material: Polyester)
Thermotransfer version (Material: Polyester)
Paper version for Laserprinter
Replacement parts
Electronics module
Basic module
Plug-in connector unit
Note

Type	Qty.	Order No.
KDSM BHZ5.00	100	1483050000
UR20-EBK-ACC	5	1346610000
UR20-SM-ACC	20	1339920000
PM 2.7/2.6 MC SDR	192	1323700000
PM 2.7/2.6 MC NE WS	960	1323710000
DEK 5/8-11.5 MC SDR	100	1341610000
DEK 5/8-11.5 MC NE WS	500	1341630000
THM UR20 GE * ¹⁾	1	1429910000
THM UR20 WS * ¹⁾	1	1429420000
ESO UR20 DIN A4 WS * ²⁾	10	1429430000
UR20-EM-1315080000-SP	1	1346650000
UR20-BM-SP	5	1350930000
UR20-PK-1315180000-SP	5	1346430000

*¹⁾ 1 roll = 1000 label = 1 Qty.
*²⁾ 1 sheet = 60 label = 1 Qty.



Product standard	IEC 61131-2
EMC	EN 61000
ATEX	EN 60079
UL	UL 508



Let's connect.

Technical data

Machinery

Process

Energy

Transportation

Device Manufacturers

8DI-P-3W

- 8 digital inputs for sensors such as transmitters, switches and proximity sensors
- Positive switching
- Reverse polarity protection
- 2-wire and 3-wire connection
- Input filter can be set channel by channel
- Integrated sensor supply
- Types 1 and 3 acc. to IEC 61131-2

UR20-8DI-P-3W



Technical data

System data	
Interface	u-remote system bus
Transmission rate of system bus	48 Mbps
Galvanic isolation	DC 500 V between current paths
Supply	
Voltage supply	24 V DC +20 % / - 15 % via the system bus
Current consumption (I _N in power segment of field bus coupler), typ.	8 mA
Current consumption (I _N in the respective power segment)	< 22 mA + sensor feed
Digital inputs	
Number	8
Input Type	Types 1 and 3, IEC 61131-2
Input filter	adjustable, up to 40 ms
Input voltage, low	< 5 V
Input voltage, high	> 11 V
Sensor supply	yes
Sensor connection	2-wire, 3-wire
Reverse polarity protection	yes
Module diagnosis	yes
Individual channel diagnosis	no
General data	
Weight	83 g
Dimensions (H/W/D)	120 mm (with catch lever 128 mm) x 11,5 mm x 76 mm

System data		
Interface	u-remote system bus	
Transmission rate of system bus	48 Mbps	
Galvanic isolation	DC 500 V between current paths	
Supply		
Voltage supply	24 V DC +20 % / - 15 % via the system bus	
Current consumption (I _N in power segment of field bus coupler), typ.	8 mA	
Current consumption (I _N in the respective power segment)	< 22 mA + sensor feed	
Digital inputs		
Number	8	
Input Type	Types 1 and 3, IEC 61131-2	
Input filter	adjustable, up to 40 ms	
Input voltage, low	< 5 V	
Input voltage, high	> 11 V	
Sensor supply	yes	
Sensor connection	2-wire, 3-wire	
Reverse polarity protection	yes	
Module diagnosis	yes	
Individual channel diagnosis	no	
General data		
Weight	83 g	
Dimensions (H/W/D)	120 mm (with catch lever 128 mm) x 11,5 mm x 76 mm	

Ordering data

Module variants	
Digital input module, 8 channels, 3-wire	

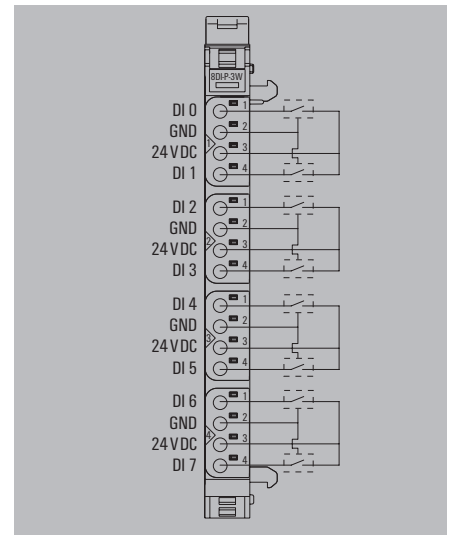
Type	Qty.	Order No.
UR20-8DI-P-3W	1	1394400000

Accessories

Accessories	
Coding elements	
Termination kit	
Swivel marker	
Connection marker for pusher custom printing	
Connection marker for pusher neutral	
Module marker for custom printing	
Module marker for neutral	
Thermotransfer version (Material: Polyester)	
Thermotransfer version (Material: Polyester)	
Paper version for Laserprinter	
Replacement parts	
Electronics module	
Basic module	
Plug-in connector unit	
Note	

Type	Qty.	Order No.
KDSM BHZ5.00	100	1483050000
UR20-EBK-ACC	5	1346610000
UR20-SM-ACC	20	1339920000
PM 2.7/2.6 MC SDR	192	1323700000
PM 2.7/2.6 MC NE WS	960	1323710000
DEK 5/8-11.5 MC SDR	100	1341610000
DEK 5/8-11.5 MC NE WS	500	1341630000
THM UR20 GE * ¹⁾	1	1429910000
THM UR20 WS * ¹⁾	1	1429420000
ESO UR20 DIN A4 WS * ²⁾	10	1429430000
UR20-EM-1394400000-SP	1	1434220000
UR20-BM-SP	5	1350930000
UR20-PK-1394400000-SP	5	1411430000

*¹⁾ 1 roll = 1000 label = 1 Qty.
*²⁾ 1 sheet = 60 label = 1 Qty.



Product standard	IEC 61131-2
EMC	EN 61000
ATEX	EN 60079
UL	UL 508
MSIP	MSIP-REM-WMG-1394400000



Let's connect.

8DI-P-3W-HD

- 8 plugs with 4 connections per module
- 8 digital inputs for sensors such as transmitters, switches and proximity sensors
- Positive switching
- Reverse polarity protection
- 2-wire and 3-wire connection
- Input filter can be set channel by channel
- Integrated sensor supply
- Types 1 and 3 acc. to IEC 61131-2

Technical data

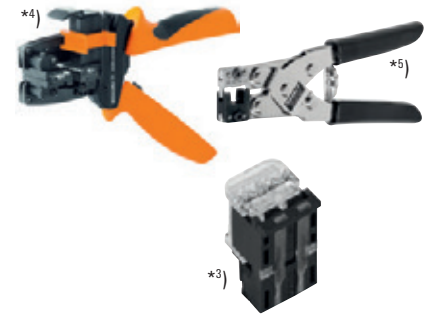
System data	
Interface	u-remote system bus
Transmission rate of system bus	48 Mbps
Galvanic isolation	DC 500 V between current paths
Supply	
Voltage supply	24 V DC +20 % / -15 % via the system bus
Current consumption (I_N in power segment of field bus coupler), typ.	8 mA
Current consumption (I_N in the respective power segment)	< 30 mA + sensor feed
Digital inputs	
Number	8
Input Type	Types 1 and 3, IEC 61131-2
Input filter	adjustable, up to 40 ms
Input voltage, low	< 5 V
Input voltage, high	> 11 V
Sensor supply	maximum 150 mA per channel
Sensor connection	2-wire, 3-wire
Reverse polarity protection	yes
Module diagnosis	yes
Individual channel diagnosis	no
General data	
Weight	83 g
Dimensions (H/W/D)	120 mm (with catch lever 128 mm) x 11,5 mm x 76 mm

Ordering data

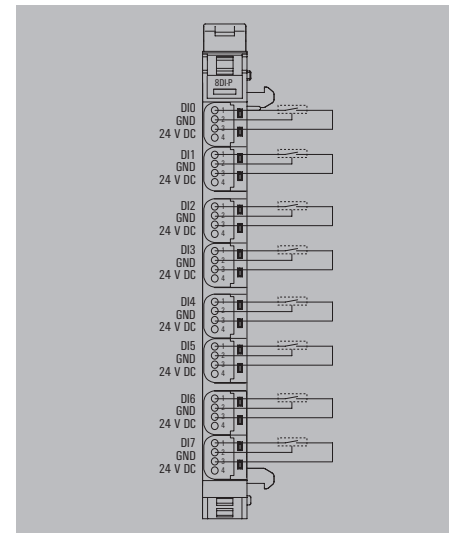
Module variants	
Digital input module, 8 channels, 3-wire, HD plug	

Accessories

Coding elements	
Termination kit	
Swivel marker	
*3) HD-Plug	
*4) Stripping tool	
*5) Pressing tool	
Module marker for custom printing	
Module marker for neutral	
Thermotransfer version (Material: Polyester)	
Thermotransfer version (Material: Polyester)	
Paper version for Laserprinter	
Replacement parts	
Electronics module	
Basic module	
Plug-in connector unit	
Note	

UR20-8DI-P-3W-HD


Note: Please order connector separately



Type	Qty.	Order No.
UR20-8DI-P-3W-HD	1	1315190000

Type	Qty.	Order No.
KDSM BHZ5.00	100	1483050000
UR20-EBK-ACC	5	1346610000
UR20-SM-ACC	20	1339920000
UR20-PGO.35	8	1469340000
multi-stripax 6-16	1	9202210000
PWZ-UR20-HD	1	1525820000
DEK 5/8-11.5 MC SDR	100	1341610000
DEK 5/8-11.5 MC NE WS	500	1341630000
THM UR20 GE *1)	1	1429910000
THM UR20 WS *1)	1	1429420000
ESD UR20 DIN A4 WS *2)	10	1429430000
UR20-EM-1315190000-SP	1	1346670000
UR20-BM-SP	5	1350930000
UR20-PK-1315190000-SP	5	1518800000

*1) 1 roll = 1000 label = 1 Qty.
*2) 1 sheet = 60 label = 1 Qty.

Product standard	IEC 61131-2
EMC	EN 61000
ATEX	EN 60079
UL	UL 508



Let's connect.

16DI-P

- 16 digital inputs
- Positive switching
- Reverse polarity protection
- 1-wire connection
- Permanently set input filter, 3 ms
- Types 1 and 3 acc. to IEC 61131-2

UR20-16DI-P



Technical data

System data	
Interface	u-remote system bus
Transmission rate of system bus	48 Mbps
Galvanic isolation	DC 500 V between current paths
Supply	
Voltage supply	24 V DC +20 % / - 15 % via the system bus
Current consumption (I _N in power segment of field bus coupler), typ.	8 mA
Current consumption (I _N in the respective power segment)	< 42 mA
Digital inputs	
Number	16
Input Type	Types 1 and 3, IEC 61131-2
Input filter	3 ms
Input voltage, low	< 5 V
Input voltage, high	> 11 V
Sensor supply	no
Sensor connection	1-wire
Reverse polarity protection	yes
Module diagnosis	yes
Individual channel diagnosis	no
General data	
Weight	87 g
Dimensions (H/W/D)	120 mm (with catch lever 128 mm) x 11,5 mm x 76 mm

System data		
Interface	u-remote system bus	
Transmission rate of system bus	48 Mbps	
Galvanic isolation	DC 500 V between current paths	
Supply		
Voltage supply	24 V DC +20 % / - 15 % via the system bus	
Current consumption (I _N in power segment of field bus coupler), typ.	8 mA	
Current consumption (I _N in the respective power segment)	< 42 mA	
Digital inputs		
Number	16	
Input Type	Types 1 and 3, IEC 61131-2	
Input filter	3 ms	
Input voltage, low	< 5 V	
Input voltage, high	> 11 V	
Sensor supply	no	
Sensor connection	1-wire	
Reverse polarity protection	yes	
Module diagnosis	yes	
Individual channel diagnosis	no	
General data		
Weight	87 g	
Dimensions (H/W/D)	120 mm (with catch lever 128 mm) x 11,5 mm x 76 mm	

Ordering data

Module variants	
Digital input module, 16 channels	

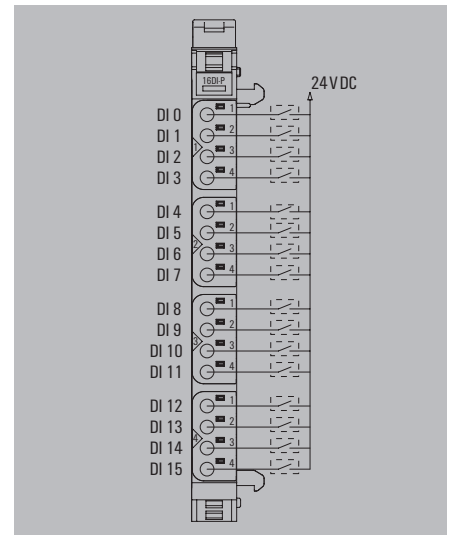
Type	Qty.	Order No.
UR20-16DI-P	1	1315200000

Accessories

Accessories	
Coding elements	
Termination kit	
Swivel marker	
Connection marker for pusher custom printing	
Connection marker for pusher neutral	
Module marker for custom printing	
Module marker for neutral	
Thermotransfer version (Material: Polyester)	
Thermotransfer version (Material: Polyester)	
Paper version for Laserprinter	
Replacement parts	
Electronics module	
Basic module	
Plug-in connector unit	
Note	

Type	Qty.	Order No.
KDSM BHZ5.00	100	1483050000
UR20-EBK-ACC	5	1346610000
UR20-SM-ACC	20	1339920000
PM 2.7/2.6 MC SDR	192	1323700000
PM 2.7/2.6 MC NE WS	960	1323710000
DEK 5/8-11.5 MC SDR	100	1341610000
DEK 5/8-11.5 MC NE WS	500	1341630000
THM UR20 GE * ¹⁾	1	1429910000
THM UR20 WS * ¹⁾	1	1429420000
ESO UR20 DIN A4 WS * ²⁾	10	1429430000
UR20-EM-1315200000-SP	1	1346680000
UR20-BM-SP	5	1350930000
UR20-PK-1315200000-SP	5	1346400000

*¹⁾ 1 roll = 1000 label = 1 Qty.
*²⁾ 1 sheet = 60 label = 1 Qty.



Product standard	IEC 61131-2
EMC	EN 61000
ATEX	EN 60079
UL	UL 508
MSIP	MSIP-REM-WMG-1315200000



Let's connect.

16DI-P-PLC-INT

- 16 digital inputs
- Positive switching
- Reverse polarity protection
- For connecting a PLC interface element
- Permanently set input filter, 3 ms
- Types 1 and 3 acc. to IEC 61131-2

Technical data

System data	
Interface	u-remote system bus
Transmission rate of system bus	48 Mbps
Galvanic isolation	DC 500 V between current paths
Supply	
Voltage supply	24 V DC +20 % / - 15 % via the system bus
Current consumption (I_{IN} in power segment of field bus coupler), typ.	8 mA
Current consumption (I_{IN} external)	< 42 mA
Digital inputs	
Number	16
Input Type	Types 1 and 3, IEC 61131-2
Input filter	3 ms
Input voltage, low	< 5 V
Input voltage, high	> 11 V
Sensor supply	external
Sensor connection	PLC interface
Reverse polarity protection	yes
Module diagnosis	yes
Individual channel diagnosis	no
General data	
Weight	73 g
Dimensions (H/W/D)	120 mm (with catch lever 128 mm) x 11,5 mm x 76 mm

Ordering data

Module variants	
Digital input module, 16 channels, PLC interface	

Accessories

Coding elements	
Termination kit	
Swivel marker	
Connection marker for pusher custom printing	
Connection marker for pusher neutral	
Module marker for custom printing	
Module marker for neutral	
Thermotransfer version (Material: Polyester)	
Thermotransfer version (Material: Polyester)	
Paper version for Laserprinter	
PLC interface element	
Pre-assembled cable, 1m	
Replacement parts	
Electronics module	
Basic module	
Plug-in connector unit	
Note	

UR20-16DI-P-PLC-INT

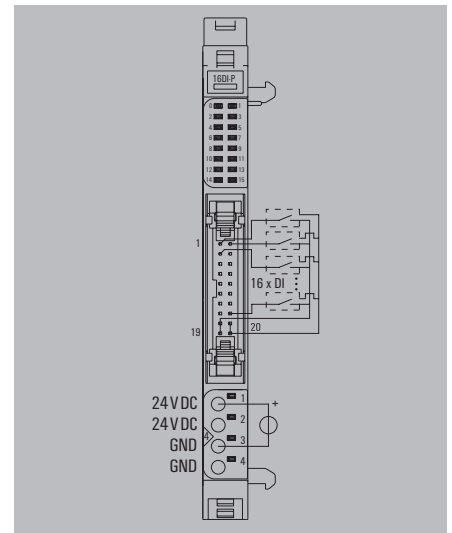


u-remote system bus	
48 Mbps	
DC 500 V between current paths	
24 V DC +20 % / - 15 % via the system bus	
8 mA	
< 42 mA	
16	
Types 1 and 3, IEC 61131-2	
3 ms	
< 5 V	
> 11 V	
external	
PLC interface	
yes	
yes	
no	
73 g	
120 mm (with catch lever 128 mm) x 11,5 mm x 76 mm	

Type	Qty.	Order No.
UR20-16DI-P-PLC-INT	1	1315210000

Type	Qty.	Order No.
KDSM BHZ5.00	100	1483050000
UR20-EBK-ACC	5	1346610000
UR20-SM-ACC	20	1339920000
PM 2.7/2.6 MC SDR	192	1323700000
PM 2.7/2.6 MC NE WS	960	1323710000
DEK 5/8-11.5 MC SDR	100	1341610000
DEK 5/8-11.5 MC NE WS	500	1341630000
THM UR20 GE * ¹⁾	1	1429910000
THM UR20 WS * ¹⁾	1	1429420000
ESO UR20 DIN A4 WS * ²⁾	10	1429430000
RS 16IO 1W H S	1	9445700000
PAC-UNIV-HE20-LCH-1M	1	7789306010
UR20-EM-1315210000-SP	1	1346690000
UR20-BM-SP	5	1350930000
UR20-PK-1315210000-SP	5	1346590000

*¹⁾ 1 roll = 1000 label = 1 Qty.
*²⁾ 1 sheet = 60 label = 1 Qty.



Product standard	IEC 61131-2
EMC	EN 61000
ATEX	EN 60079
UL	UL 508
MSIP	MSIP-REM-WMG-1315210000



Let's connect.

2DI-P-TS

- 2 digital inputs for sensors such as transmitters, switches and proximity sensors
- Positive switching
- 2-wire, 3-wire, 3-wire+FE connection
- Input filter can be set channel by channel
- Types 1 and 3 acc. to IEC 61131-2
- 1 μ s Timestamp resolution

UR20-2DI-P-TS



Technical data

System data	
Interface	u-remote system bus
Transmission rate of system bus	48 Mbps
Galvanic isolation	DC 500 V between current paths
Supply	
Voltage supply	24 V DC +20% / -15% via the system bus
Current consumption (I_{IN} in power segment of field bus coupler), typ.	8 mA
Current consumption (I_{IN} in the respective power segment)	< 10 mA + sensor feed
Digital Inputs	
Number	2
Input Type	Type 1 und 3, IEC 61131-2
Input filter	adjustable, up to 40 ms
Input voltage, low	< 5 V
Input voltage, high	> 11 V
Sensor supply	yes
Sensor connection	2-wire, 3-wire, 3-wire+FE
Reverse polarity protection	yes
Module diagnosis	yes
Individual channel diagnosis	no
Data width Timestamp	16 Bit
Resolution Timestamp	1 μ s
General data	
Weight	83 g
Dimensions (H/W/D)	120 mm (with catch lever 128 mm) x 11.5 mm x 76 mm

System data		
Interface	u-remote system bus	
Transmission rate of system bus	48 Mbps	
Galvanic isolation	DC 500 V between current paths	
Supply		
Voltage supply	24 V DC +20% / -15% via the system bus	
Current consumption (I_{IN} in power segment of field bus coupler), typ.	8 mA	
Current consumption (I_{IN} in the respective power segment)	< 10 mA + sensor feed	
Digital Inputs		
Number	2	
Input Type	Type 1 und 3, IEC 61131-2	
Input filter	adjustable, up to 40 ms	
Input voltage, low	< 5 V	
Input voltage, high	> 11 V	
Sensor supply	yes	
Sensor connection	2-wire, 3-wire, 3-wire+FE	
Reverse polarity protection	yes	
Module diagnosis	yes	
Individual channel diagnosis	no	
Data width Timestamp	16 Bit	
Resolution Timestamp	1 μ s	
General data		
Weight	83 g	
Dimensions (H/W/D)	120 mm (with catch lever 128 mm) x 11.5 mm x 76 mm	

Ordering data

Module variants	
Digital input module, 2 channels, Timestamp	

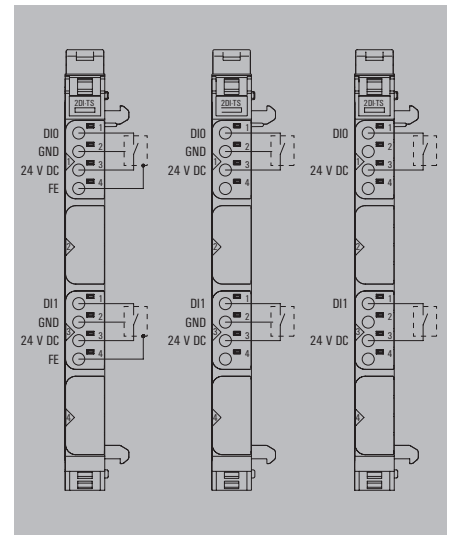
Type	Qty.	Order No.
UR20-2DI-P-TS	1	1460140000

Accessories

Accessories	
Coding elements	
Termination kit	
Swivel marker	
Connection marker for pusher custom printing	
Connection marker for pusher neutral	
Module marker for custom printing	
Module marker for neutral	
Thermotransfer version (Material: Polyester)	
Thermotransfer version (Material: Polyester)	
Paper version for Laserprinter	
Replacement parts	
Electronics module	
Basic module	
Plug-in connector unit	
Note	

Type	Qty.	Order No.
KDSM BHZ5.00	100	1483050000
UR20-EBK-ACC	5	1346610000
UR20-SM-ACC	20	1339920000
PM 2.7/2.6 MC SDR	192	1323700000
PM 2.7/2.6 MC NE WS	960	1323710000
DEK 5/8-11.5 MC SDR	100	1341610000
DEK 5/8-11.5 MC NE WS	500	1341630000
THM UR20 GE * ¹⁾	1	1429910000
THM UR20 WS * ¹⁾	1	1429420000
ESO UR20 DIN A4 WS * ²⁾	10	1429430000
UR20-EM-1460140000-SP	1	1463690000
UR20-BM-SP	5	1350930000
UR20-PK-1460140000-SP	5	1484110000

*¹⁾ 1 roll = 1000 label = 1 Qty.
*²⁾ 1 sheet = 60 label = 1 Qty.



Product standard	IEC 61131-2
EMC	EN 61000
ATEX	EN 60079
UL	UL 508



Let's connect.

4DI-P-TS

- 4 digital inputs for sensors such as transmitters, switches and proximity sensors
- Positive switching
- 2-wire, 3-wire, 3-wire+FE connection
- Input filter can be set channel by channel
- Types 1 and 3 acc. to IEC 61131-2
- 1 µs Timestamp resolution

UR20-4DI-P-TS



Technical data

System data	
Interface	u-remote system bus
Transmission rate of system bus	48 Mbps
Galvanic isolation	DC 500 V between current paths
Supply	
Voltage supply	24 V DC +20 % / -15 % via the system bus
Current consumption (I _N in power segment of field bus coupler), typ.	8 mA
Current consumption (I _N in the respective power segment)	< 10 mA + sensor feed
Digital Inputs	
Number	4
Input Type	Types 1 and 3, IEC 61131-2
Input filter	adjustable, up to 40 ms
Input voltage, low	< 5 V
Input voltage, high	> 11 V
Sensor supply	yes
Sensor connection	2-wire, 3-wire, 3-wire+FE
Reverse polarity protection	yes
Module diagnosis	yes
Individual channel diagnosis	no
Data width Timestamp	16 Bit
Resolution Timestamp	1 µs
General data	
Weight	87 g
Dimensions (H/W/D)	120 mm (with catch lever 128 mm) x 11.5 mm x 76 mm

Ordering data

Module variants	
Digital input module, 4 channels, Timestamp	

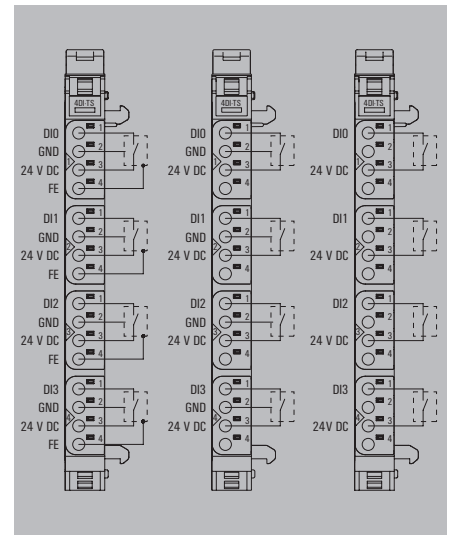
Type	Qty.	Order No.
UR20-4DI-P-TS	1	1460150000

Accessories

Accessories	
Coding elements	KDSM BHZ5.00
Termination kit	UR20-EBK-ACC
Swivel marker	UR20-SM-ACC
Connection marker for pusher custom printing	PM 2.7/2.6 MC SDR
Connection marker for pusher neutral	PM 2.7/2.6 MC NE WS
Module marker for custom printing	DEK 5/8-11.5 MC SDR
Module marker for neutral	DEK 5/8-11.5 MC NE WS
Thermotransfer version (Material: Polyester)	THM UR20 GE * ¹⁾
Thermotransfer version (Material: Polyester)	THM UR20 WS * ¹⁾
Paper version for Laserprinter	ESO UR20 DIN A4 WS * ²⁾
Replacement parts	
Electronics module	UR20-EM-1460150000-SP
Basic module	UR20-BM-SP
Plug-in connector unit	UR20-PK-1460150000-SP
Note	

Type	Qty.	Order No.
KDSM BHZ5.00	100	1483050000
UR20-EBK-ACC	5	1346610000
UR20-SM-ACC	20	1339920000
PM 2.7/2.6 MC SDR	192	1323700000
PM 2.7/2.6 MC NE WS	960	1323710000
DEK 5/8-11.5 MC SDR	100	1341610000
DEK 5/8-11.5 MC NE WS	500	1341630000
THM UR20 GE * ¹⁾	1	1429910000
THM UR20 WS * ¹⁾	1	1429420000
ESO UR20 DIN A4 WS * ²⁾	10	1429430000
UR20-EM-1460150000-SP	1	1463680000
UR20-BM-SP	5	1350930000
UR20-PK-1460150000-SP	5	1484430000

*¹⁾ 1 roll = 1000 label = 1 Qty.
*²⁾ 1 sheet = 60 label = 1 Qty.



Product standard	IEC 61131-2
EMC	EN 61000
ATEX	EN 60079
UL	UL 508



Let's connect.

4DI-N

- 4 digital inputs for sensors such as transmitters, switches and proximity sensors
- Negative switching
- Reverse polarity protection
- 2-wire, 3-wire, 3-wire+FE connection
- Input filter can be set channel by channel
- Integrated sensor supply
- Types 1 and 3 acc. to IEC 61131-2

UR20-4DI-N



Technical data

System data	
Interface	u-remote system bus
Transmission rate of system bus	48 Mbps
Galvanic isolation	DC 500 V between current paths
Supply	
Voltage supply	24 V DC +20 % / - 15 % via the system bus
Current consumption from system current path I _{sys}	8 mA
Current consumption from input current path I _{IN}	< 12 mA + sensor feed
Inputs	
Number	4
Input Type	N-switching, comparable to Type 1 and Type 3 (IEC 61131-2)
Input filter	adjustable, up to 40 ms
Input voltage, low	-5 V referred to system power supply U _{sys}
Input voltage, high	-11 V referred to system power supply U _{sys}
Sensor supply	max. 2 A per plug, total max. 8 A
Sensor connection	2-wire, 3-wire, 3-wire + FE
Reverse polarity protection	yes
Module diagnosis	yes
Individual channel diagnosis	no
General Data	
Weight	87 g
Dimensions (H/W/D)	120 mm (with catch lever 128 mm) x 11.5 mm x 76 mm

Type	Qty.	Order No.
UR20-4DI-N	1	1315350000

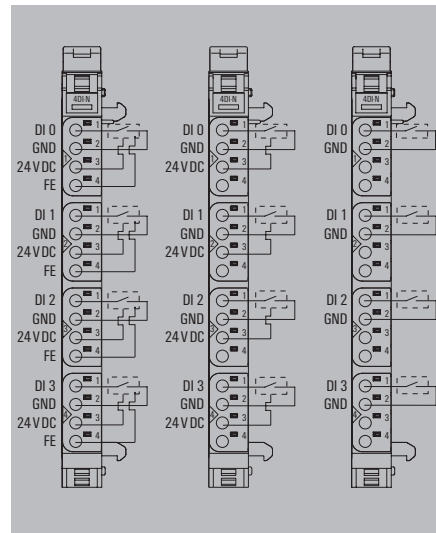
Ordering data

Module variants	
Digital input module, 4 channels	

Accessories

Type	Qty.	Order No.
KDSM BHZ5.00	100	1483050000
UR20-EBK-ACC	5	1346610000
UR20-SM-ACC	20	1339920000
PM 2.7/2.6 MC SDR	192	1323700000
PM 2.7/2.6 MC NE WS	960	1323710000
DEK 5/8-11.5 MC SDR	100	1341610000
DEK 5/8-11.5 MC NE WS	500	1341630000
THM UR20 GE * ¹⁾	1	1429910000
THM UR20 WS * ¹⁾	1	1429420000
ESO UR20 DIN A4 WS * ²⁾	10	1429430000
Replacement parts		
Electronics module	UR20-EM-1315350000-SP	1 1346870000
Basic module	UR20-BM-SP	5 1350930000
Plug-in connector unit	UR20-PK-1315350000-SP	5 1559770000
Note		
* ¹⁾ 1 roll = 1000 label = 1 Qty.		
* ²⁾ 1 sheet = 60 label = 1 Qty.		

Product standard	IEC 61131-2
EMC	EN 61000
ATEX	EN 60079
UL	UL 508



Product standard	IEC 61131-2
EMC	EN 61000
ATEX	EN 60079
UL	UL 508



Let's connect.

8DI-N-3W

- 8 digital inputs for sensors such as transmitters, switches and proximity sensors
- Negative switching
- Reverse polarity protection
- 2-wire and 3-wire connection
- Input filter can be set channel by channel
- Integrated sensor supply
- Types 1 and 3 acc. to IEC 61131-2

Technical data

System data	
Interface	u-remote system bus
Transmission rate of system bus	48 Mbps
Galvanic isolation	DC 500 V between current paths
Supply	
Voltage supply	24 V DC +20 % / -15 % via the system bus
Current consumption from system current path I_{SYS}	8 mA
Current consumption from input current path I_{IN}	< 12 mA + sensor feed
Inputs	
Number	8
Input Type	N-switching, comparable to Type 1 and Type 3 (IEC 61131-2)
Input filter	adjustable, up to 40 ms
Input voltage, low	-5 V referred to system power supply U_{SYS}
Input voltage, high	-11 V referred to system power supply U_{SYS}
Sensor supply	max. 2 A per plug, total max. 8 A
Sensor connection	2-wire, 3-wire
Reverse polarity protection	yes
Module diagnosis	yes
Individual channel diagnosis	no
General Data	
Weight	83 g
Dimensions (H/W/D)	120 mm (with catch lever 128 mm) x 11.5 mm x 76 mm

Ordering data

Module variants	
Digital input module, 8 channels, 3-wire	

Accessories

Coding elements	
Termination kit	
Swivel marker	
Connection marker for pusher custom printing	
Connection marker for pusher neutral	
Module marker for custom printing	
Module marker for neutral	
Thermotransfer version (Material: Polyester)	
Thermotransfer version (Material: Polyester)	
Paper version for Laserprinter	
Replacement parts	
Electronics module	
Basic module	
Plug-in connector unit	
Note	

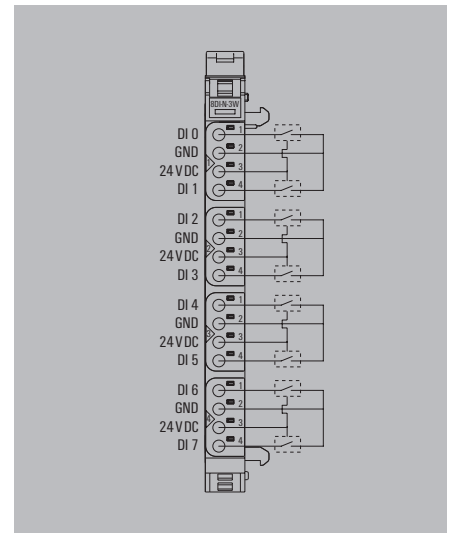
UR20-8DI-N-3W


u-remote system bus	
48 Mbps	
DC 500 V between current paths	
24 V DC +20 % / -15 % via the system bus	
8 mA	
< 12 mA + sensor feed	
8	
N-switching, comparable to Type 1 and Type 3 (IEC 61131-2)	
adjustable, up to 40 ms	
-5 V referred to system power supply U_{SYS}	
-11 V referred to system power supply U_{SYS}	
max. 2 A per plug, total max. 8 A	
2-wire, 3-wire	
yes	
yes	
no	
83 g	
120 mm (with catch lever 128 mm) x 11.5 mm x 76 mm	

Type	Qty.	Order No.
UR20-8DI-N-3W	1	1315370000

Type	Qty.	Order No.
KDSM BHZ5.00	100	1483050000
UR20-EBK-ACC	5	1346610000
UR20-SM-ACC	20	1339920000
PM 2.7/2.6 MC SDR	192	1323700000
PM 2.7/2.6 MC NE WS	960	1323710000
DEK 5/8-11.5 MC SDR	100	1341610000
DEK 5/8-11.5 MC NE WS	500	1341630000
THM UR20 GE * ¹⁾	1	1429910000
THM UR20 WS * ¹⁾	1	1429420000
ESO UR20 DIN A4 WS * ²⁾	10	1429430000
UR20-EM-1315370000-SP	1	1346880000
UR20-BM-SP	5	1350930000
UR20-PK-1315370000-SP	5	1559780000

*¹⁾ 1 roll = 1000 label = 1 Qty.
*²⁾ 1 sheet = 60 label = 1 Qty.



Product standard	IEC 61131-2
EMC	EN 61000
ATEX	EN 60079
UL (in preparation)	UL 508



Let's connect.

16DI-N

- 16 digital inputs
- Negative switching
- Reverse polarity protection
- 1-wire connection
- Permanently set input filter, 3 ms
- Types 1 and 3 acc. to IEC 61131-2

UR20-16DI-N



Technical data

System data	
Interface	u-remote system bus
Transmission rate of system bus	48 Mbps
Galvanic isolation	DC 500 V between current paths
Supply	
Voltage supply	24 V DC +20 % / -15 % via the system bus
Current consumption from system current path I _{sys}	8 mA
Current consumption from input current path I _{IN}	< 15 mA
Inputs	
Number	16
Input Type	N-switching, comparable to Type 1 and Type 3 (IEC 61131-2)
Input filter	3 ms
Input voltage, low	-5 V referred to system power supply U _{sys}
Input voltage, high	-11 V referred to system power supply U _{sys}
Sensor supply	no
Sensor connection	1-wire
Reverse polarity protection	yes
Module diagnosis	yes
Individual channel diagnosis	no
General Data	
Weight	88 g
Dimensions (H/W/D)	120 mm (with catch lever 128 mm) x 11.5 mm x 76 mm

System data		
Interface	u-remote system bus	
Transmission rate of system bus	48 Mbps	
Galvanic isolation	DC 500 V between current paths	
Supply		
Voltage supply	24 V DC +20 % / -15 % via the system bus	
Current consumption from system current path I _{sys}	8 mA	
Current consumption from input current path I _{IN}	< 15 mA	
Inputs		
Number	16	
Input Type	N-switching, comparable to Type 1 and Type 3 (IEC 61131-2)	
Input filter	3 ms	
Input voltage, low	-5 V referred to system power supply U _{sys}	
Input voltage, high	-11 V referred to system power supply U _{sys}	
Sensor supply	no	
Sensor connection	1-wire	
Reverse polarity protection	yes	
Module diagnosis	yes	
Individual channel diagnosis	no	
General Data		
Weight	88 g	
Dimensions (H/W/D)	120 mm (with catch lever 128 mm) x 11.5 mm x 76 mm	

Ordering data

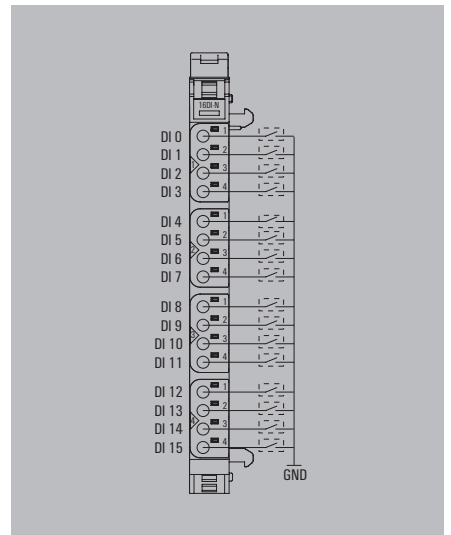
Module variants	
Digital input module, 16 channels	

Type	Qty.	Order No.
UR20-16DI-N	1	1315390000

Accessories

Accessories	
Coding elements	KDSM BHZ5.00 100 1483050000
Termination kit	UR20-EBK-ACC 5 1346610000
Swivel marker	UR20-SM-ACC 20 1339920000
Connection marker for pusher custom printing	PM 2.7/2.6 MC SDR 192 1323700000
Connection marker for pusher neutral	PM 2.7/2.6 MC NE WS 960 1323710000
Module marker for custom printing	DEK 5/8-11.5 MC SDR 100 1341610000
Module marker for neutral	DEK 5/8-11.5 MC NE WS 500 1341630000
Thermotransfer version (Material: Polyester)	THM UR20 GE * ¹⁾ 1 1429910000
Thermotransfer version (Material: Polyester)	THM UR20 WS * ¹⁾ 1 1429420000
Paper version for Laserprinter	ESO UR20 DIN A4 WS * ²⁾ 10 1429430000
Replacement parts	
Electronics module	UR20-EM-1315390000-SP 1 1346920000
Basic module	UR20-BM-SP 5 1350930000
Plug-in connector unit	UR20-PK-1315390000-SP 5 1559790000
Note	
* ¹⁾ 1 roll = 1000 label = 1 Qty. * ²⁾ 1 sheet = 60 label = 1 Qty.	

Type	Qty.	Order No.
KDSM BHZ5.00	100	1483050000
UR20-EBK-ACC	5	1346610000
UR20-SM-ACC	20	1339920000
PM 2.7/2.6 MC SDR	192	1323700000
PM 2.7/2.6 MC NE WS	960	1323710000
DEK 5/8-11.5 MC SDR	100	1341610000
DEK 5/8-11.5 MC NE WS	500	1341630000
THM UR20 GE * ¹⁾	1	1429910000
THM UR20 WS * ¹⁾	1	1429420000
ESO UR20 DIN A4 WS * ²⁾	10	1429430000
Replacement parts		
UR20-EM-1315390000-SP	1	1346920000
UR20-BM-SP	5	1350930000
UR20-PK-1315390000-SP	5	1559790000
Note		
* ¹⁾ 1 roll = 1000 label = 1 Qty. * ²⁾ 1 sheet = 60 label = 1 Qty.		



Product standard	IEC 61131-2
EMC	EN 61000
ATEX	EN 60079
UL	UL 508



Let's connect.

16DI-N-PLC-INT

- 16 digital inputs
- Negative switching
- Reverse polarity protection
- For connecting a PLC interface element
- Permanently set input filter, 3 ms
- Types 1 and 3 acc. to IEC 61131-2

Technical data

System data	
Interface	u-remote system bus
Transmission rate of system bus	48 Mbps
Galvanic isolation	DC 500 V between current paths
Supply	
Voltage supply	24 V DC +20 % / -15 % via the system bus
Current consumption from system current path I_{SYS}	8 mA
Current consumption from input current path I_{IN}	< 15 mA
Inputs	
Number	16
Input Type	N-switching, comparable to Type 1 and Type 3 (IEC 61131-2)
Input filter	3 ms
Input voltage, low	-5 V referred to system power supply U_{SYS}
Input voltage, high	-11 V referred to system power supply U_{SYS}
Sensor supply	external
Sensor connection	PLC interface
Reverse polarity protection	yes
Module diagnosis	yes
Individual channel diagnosis	no
General Data	
Weight	73 g
Dimensions (H/W/D)	120 mm (with catch lever 128 mm) x 11.5 mm x 76 mm

Ordering data

Module variants	
Digital input module, 16 channels, PLC interface	

Accessories

Coding elements	
Termination kit	
Swivel marker	
Connection marker for pusher custom printing	
Connection marker for pusher neutral	
Module marker for custom printing	
Module marker for neutral	
Thermotransfer version (Material: Polyester)	
Thermotransfer version (Material: Polyester)	
Paper version for Laserprinter	
PLC interface element	
Pre-assembled cable, 1m	
Replacement parts	
Electronics module	
Basic module	
Plug-in connector unit	
Note	

UR20-16DI-N-PLC-INT

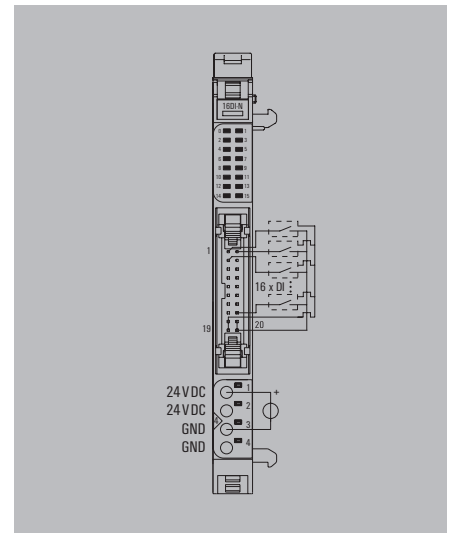


u-remote system bus	
48 Mbps	
DC 500 V between current paths	
24 V DC +20 % / -15 % via the system bus	
8 mA	
< 15 mA	
16	
N-switching, comparable to Type 1 and Type 3 (IEC 61131-2)	
3 ms	
-5 V referred to system power supply U_{SYS}	
-11 V referred to system power supply U_{SYS}	
external	
PLC interface	
yes	
yes	
no	
73 g	
120 mm (with catch lever 128 mm) x 11.5 mm x 76 mm	

Type	Qty.	Order No.
UR20-16DI-N-PLC-INT	1	1315400000

Type	Qty.	Order No.
KDSM BHZ5.00	100	1483050000
UR20-EBK-ACC	5	1346610000
UR20-SM-ACC	20	1339920000
PM 2.7/2.6 MC SDR	192	1323700000
PM 2.7/2.6 MC NE WS	960	1323710000
DEK 5/8-11.5 MC SDR	100	1341610000
DEK 5/8-11.5 MC NE WS	500	1341630000
THM UR20 GE * ¹⁾	1	1429910000
THM UR20 WS * ¹⁾	1	1429420000
ESO UR20 DIN A4 WS * ²⁾	10	1429430000
RS 16IO 1W H S	1	9445700000
PAC-UNIV-HE20-LCH-1M	1	7789306010
UR20-EM-1315400000-SP	1	1346930000
UR20-BM-SP	5	1350930000
UR20-PK-1315400000-SP	5	1559800000

*¹⁾ 1 roll = 1000 label = 1 Qty.
*²⁾ 1 sheet = 60 label = 1 Qty.



Product standard	IEC 61131-2
EMC	EN 61000
ATEX	EN 60079
UL (in preparation)	UL 508



Let's connect.

4DI-2W-230V-AC

- 4 digital inputs for sensors such as transmitters, switches and proximity sensors
- Input filter can be set channel by channel
- Galvanic isolation by 4 kV
- Positive switching
- 2-wire connection
- Types 3 acc. to IEC 61131-2

UR20-4DI-2W-230V-AC



Technical data

System data	
Interface	u-remote system bus
Transmission rate of system bus	48 Mbps
Galvanic isolation	4 kV between channels and between channels and powersupply
Line-to-line voltage	400 V between channels
Supply	
Voltage supply	24 V DC +20 % / - 15 % via the system bus
Current consumption from system current path I _{sys}	8 mA
Current consumption from input current path I _{in}	no
Inputs	
Number	4
Input Type	Type 3, IEC 61131-2, P-switching
Input filter	adjustable, up to 10 ms
Input voltage, low	< 65 V
Input voltage, high	≥ 80 V
Input voltage max.	277 V (UL); 264,5 V (VDE)
Input frequency	50 Hz, 60 Hz
Sensor supply	no
Sensor connection	2-wire
Module diagnosis	yes
Individual channel diagnosis	no
General Data	
Weight	87 g
Dimensions (H/W/D)	120 mm (with catch lever 128 mm) x 11.5 mm x 76 mm

Ordering data

Module variants	
Digital input module, 4 channels, 230V AC	

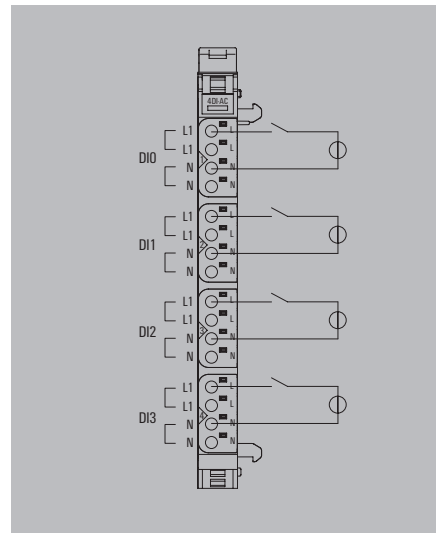
Type	Qty.	Order No.
UR20-4DI-2W-230V-AC	1	1550070000

Accessories

Coding elements	
Coding elements	KOSM BHZ5 00
Termination kit	UR20-EBK-ACC
Swivel marker	UR20-SM-ACC
Connection marker for pusher custom printing	PM 2.7/2.6 MC SDR
Connection marker for pusher neutral	PM 2.7/2.6 MC NE WS
Module marker for custom printing	DEK 5/8-11.5 MC SDR
Module marker for neutral	DEK 5/8-11.5 MC NE WS
Thermotransfer version (Material: Polyester)	THM UR20 GE * ¹⁾
Thermotransfer version (Material: Polyester)	THM UR20 WS * ¹⁾
Paper version for Laserprinter	ESD UR20 DIN A4 WS * ²⁾
Replacement parts	
Electronics module	UR20-EM-1550070000-SP
Basic module	UR20-BM-SP
Plug-in connector unit	UR20-PK-1550070000-SP
Note	

Type	Qty.	Order No.
KOSM BHZ5 00	100	1483050000
UR20-EBK-ACC	5	1346610000
UR20-SM-ACC	20	1339920000
PM 2.7/2.6 MC SDR	192	1323700000
PM 2.7/2.6 MC NE WS	960	1323710000
DEK 5/8-11.5 MC SDR	100	1341610000
DEK 5/8-11.5 MC NE WS	500	1341630000
THM UR20 GE * ¹⁾	1	1429910000
THM UR20 WS * ¹⁾	1	1429420000
ESD UR20 DIN A4 WS * ²⁾	10	1429430000
UR20-EM-1550070000-SP	1	1558880000
UR20-BM-SP	5	1350930000
UR20-PK-1550070000-SP	5	1559820000

*¹⁾ 1 roll = 1000 label = 1 Qty.
*²⁾ 1 sheet = 60 label = 1 Qty.



Product standard	IEC 61131-2
EMC	EN 61000
ATEX	EN 60079
UL (in preparation)	UL 508
MSIP	MSIP-REM-WMG-1550070000



Let's connect.

4D0-P

- 4 digital outputs
- Can be loaded up to 0.5 A per channel
- Short-circuit-proof
- 2-wire, 3-wire, 3-wire+FE connection
- Positive switching
- DC-13 load
- IEC 61131-2 compliant

UR20-4D0-P



Technical data

System data

Interface
Transmission rate of system bus
Galvanic isolation

Supply

Voltage supply
Current consumption (I_{IN} in power segment of field bus coupler), typ.
Current consumption (I_{OUT} in the respective power segment)

Digital outputs

Number
Type of load
Response time, high
Response time, low
Output current per channel, max.
Output current per module, max.
Switching frequency max.
Resistive load (min. 47 Ω)
Inductive load (DC 13)
Lamp load (12 W)

Actuator connection
Short-circuit-proof
Non reactive
Module diagnosis
Individual channel diagnosis
Shut-down energy (inductive)
Response time of protective circuit (current limitation)

General data

Weight
Dimensions (H/W/D)

u-remote system bus

48 Mbps

DC 500 V between current paths

24 V DC +20 % / -15 % via the system bus

8 mA

10 mA + load

4

ohmic, inductive, lamp load

100 μ s

250 μ s

0.5 A

2 A

1 kHz

2 Hz

1 kHz

2-wire, 3-wire, 3-wire+FE

thermal

yes

yes

no

150 mJ / channel

< 100 μ s (ambient temperature dependent)

86 g

120 mm (with catch lever 128 mm) x 11,5 mm x 76 mm

Ordering data

Module variants

Digital output module, 4 channels

Type	Qty.	Order No.
UR20-4D0-P	1	1315220000

Accessories

Coding elements
Termination kit
Swivel marker
Connection marker for pusher custom printing
Connection marker for pusher neutral
Module marker for custom printing
Module marker for neutral
Thermotransfer version (Material: Polyester)
Thermotransfer version (Material: Polyester)
Paper version for Laserprinter

Replacement parts

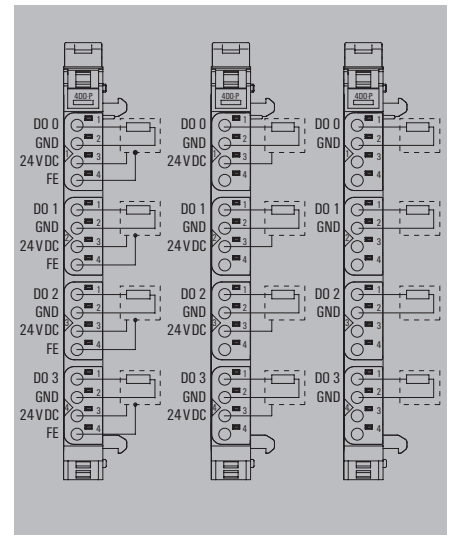
Electronics module
Basic module
Plug-in connector unit

Note

Type	Qty.	Order No.
KOSM BHZ5 00	100	1483050000
UR20-EBK-ACC	5	1346610000
UR20-SM-ACC	20	1339920000
PM 2.7/2.6 MC SDR	192	1323700000
PM 2.7/2.6 MC NE WS	960	1323710000
DEK 5/8-11.5 MC SDR	100	1341610000
DEK 5/8-11.5 MC NE WS	500	1341630000
THM UR20 GE * ¹⁾	1	1429910000
THM UR20 WS * ¹⁾	1	1429420000
ESD UR20 DIN A4 WS * ²⁾	10	1429430000

UR20-EM-1315220000-SP	1	1346700000
UR20-BM-SP	5	1350930000
UR20-PK-1315220000-SP	5	1483960000

*¹⁾ 1 roll = 1000 label = 1 Qty.
*²⁾ 1 sheet = 60 label = 1 Qty.



Product standard	IEC 61131-2
EMC	EN 61000
ATEX	EN 60079
UL	UL 508
MSIP	MSIP-REM-WMG-1315220000



Let's connect.

Technical data

Machinery

Process

Energy

Transportation

Device Manufacturers

4D0-P-2A

- 4 digital outputs
- Module can be loaded up to 8 A
- Can be loaded up to 2 A per channel
- Short-circuit-proof
- 2-wire, 3-wire, 3-wire+FE connection
- Positive switching
- DC-13 load
- IEC 61131-2 compliant

Technical data

System data	
Interface	u-remote system bus
Transmission rate of system bus	48 Mbps
Galvanic isolation	DC 500 V between current paths
Supply	
Voltage supply	24 V DC +20 % / -15 % via the system bus
Current consumption (I _{IN} in power segment of field bus coupler), typ.	8 mA
Current consumption (I _{OUT} in the respective power segment)	10 mA + load
Digital outputs	
Number	4
Type of load	ohmic, inductive, lamp load
Response time, high	100 µs
Response time, low	250 µs
Output current per channel, max.	2 A
Output current per module, max.	8 A
Switching frequency max.	1 kHz
	2 Hz
	1 kHz
Resistive load (min. 47 Ω)	
Inductive load (DC 13)	
Lamp load (48 W)	
Actuator connection	2-wire, 3-wire, 3-wire+FE
Short-circuit-proof	thermal
Non reactive	yes
Module diagnosis	yes
Individual channel diagnosis	no
Shut-down energy (inductive)	150 mJ / channel
Response time of protective circuit (current limitation)	< 100 µs (ambient temperature dependent)
General data	
Weight	86 g
Dimensions (H/W/D)	120 mm (with catch lever 128 mm) x 11,5 mm x 76 mm

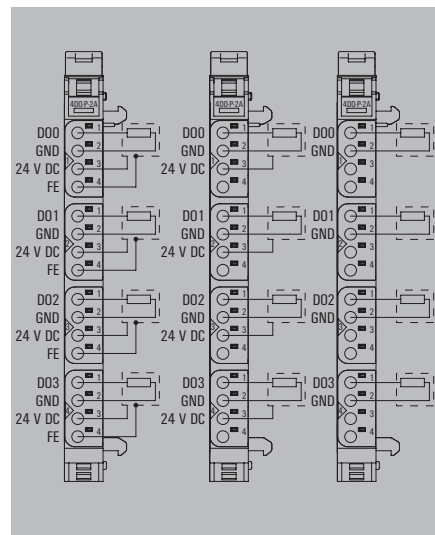
Ordering data

Module variants	
Digital output module, 4 channels, 2 A	

Accessories

Type	Qty.	Order No.
KOSM BHZ5.00	100	1483050000
UR20-EBK-ACC	5	1346610000
UR20-SM-ACC	20	1339920000
PM 2.7/2.6 MC SDR	192	1323700000
PM 2.7/2.6 MC NE WS	960	1323710000
DEK 5/8-11.5 MC SDR	100	1341610000
DEK 5/8-11.5 MC NE WS	500	1341630000
THM UR20 GE ^{*1)}	1	1429910000
THM UR20 WS ^{*1)}	1	1429420000
ESD UR20 DIN A4 WS ^{*2)}	10	1429430000
Replacement parts		
Electronics module	UR20-EM-1315230000-SP	1 1346710000
Basic module	UR20-BM-SP	5 1350930000
Plug-in connector unit	UR20-PK-1315230000-SP	5 1483970000
Note		
^{*1)} 1 roll = 1000 label = 1 Qty.		
^{*2)} 1 sheet = 60 label = 1 Qty.		

UR20-4D0-P-2A



Type	Qty.	Order No.
UR20-4D0-P-2A	1	1315230000

Type	Qty.	Order No.
KOSM BHZ5.00	100	1483050000
UR20-EBK-ACC	5	1346610000
UR20-SM-ACC	20	1339920000
PM 2.7/2.6 MC SDR	192	1323700000
PM 2.7/2.6 MC NE WS	960	1323710000
DEK 5/8-11.5 MC SDR	100	1341610000
DEK 5/8-11.5 MC NE WS	500	1341630000
THM UR20 GE ^{*1)}	1	1429910000
THM UR20 WS ^{*1)}	1	1429420000
ESD UR20 DIN A4 WS ^{*2)}	10	1429430000
Replacement parts		
Electronics module	UR20-EM-1315230000-SP	1 1346710000
Basic module	UR20-BM-SP	5 1350930000
Plug-in connector unit	UR20-PK-1315230000-SP	5 1483970000
Note		
^{*1)} 1 roll = 1000 label = 1 Qty.		
^{*2)} 1 sheet = 60 label = 1 Qty.		

Product standard	IEC 61131-2
EMC	EN 61000
ATEX	EN 60079
UL	UL 508
MSIP	MSIP-REM-WMG-1315230000



Let's connect.

4D0-PN-2A

- 4 digital outputs
- Module can be loaded up to 8 A
- Can be loaded up to 2 A per channel
- Short-circuit-proof
- Positive or negative switching
- 2-wire, 3-wire, 3-wire+FE connection
- IEC 61131-2 compliant

UR20-4D0-PN-2A



Technical data

System data	
Interface	u-remote system bus
Transmission rate of system bus	48 Mbps
Galvanic isolation	DC 500 V between current paths
Supply	
Voltage supply	24 V DC +20 % / - 15 % via the system bus
Current consumption (I _{in} in power segment of field bus coupler), typ.	8 mA
Current consumption (I _{out} in the respective power segment)	10 mA + load
Digital outputs	
Number	4
Positive or negative switching	parameterise
Type of load	ohmic, inductive, lamp load
Response time, high	100 µs
Response time, low	250 µs
Output current per channel, max.	2 A
Output current per module, max.	8 A
Switching frequency max.	
	1 kHz
	2 Hz
	1 kHz
Actuator connection	2-wire, 3-wire, 3-wire+FE
Short-circuit-proof	thermal
Non reactive	yes
Module diagnosis	yes
Individual channel diagnosis	no
Shut-down energy (inductive)	150 mJ / channel
Response time of protective circuit (current limitation)	< 100 µs (ambient temperature dependent)
General data	
Weight	87 g
Dimensions (H/W/D)	120 mm (with catch lever 128 mm) x 11.5 mm x 76 mm

Ordering data

Module variants	
Digital output module, 4 channels, positively or negatively switching	

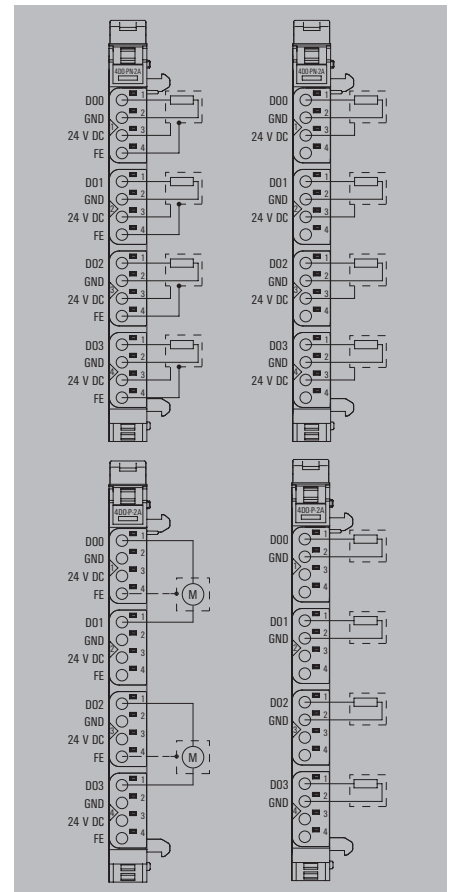
Accessories

Coding elements	KDSM BHZ5.00	100	1483050000
Termination kit	UR20-EBK-ACC	5	1346610000
Swivel marker	UR20-SM-ACC	20	1339920000
Connection marker for pusher custom printing	PM 2.7/2.6 MC SDR	192	1323700000
Connection marker for pusher neutral	PM 2.7/2.6 MC NE WS	960	1323710000
Module marker for custom printing	DEK 5/8-11.5 MC SDR	100	1341610000
Module marker for neutral	DEK 5/8-11.5 MC NE WS	500	1341630000
Thermotransfer version (Material: Polyester)	THM UR20 GE * ¹⁾	1	1429910000
Thermotransfer version (Material: Polyester)	THM UR20 WS * ¹⁾	1	1429420000
Paper version for Laserprinter	ESO UR20 DIN A4 WS * ²⁾	10	1429430000
Replacement parts			
Electronics module	UR20-EM-1394420000-SP	1	1480950000
Basic module	UR20-BM-SP	5	1350930000
Plug-in connector unit	UR20-PK-1394420000-SP	5	1483980000
Note			

Type	Qty.	Order No.
UR20-4D0-PN-2A	1	1394420000

Type	Qty.	Order No.
UR20-EM-1394420000-SP	1	1480950000
UR20-BM-SP	5	1350930000
UR20-PK-1394420000-SP	5	1483980000

*¹⁾ 1 roll = 1000 label = 1 Qty.
 *²⁾ 1 sheet = 60 label = 1 Qty.



Product standard	IEC 61131-2
EMC	EN 61000
ATEX	EN 60079
UL	UL 508



Let's connect.

8DO-P

- 8 digital outputs
- Can be loaded up to 0.5 A per channel
- Short-circuit-proof
- 2-wire connection
- Positive switching
- DC-13 load
- IEC 61131-2 compliant

UR20-8DO-P



Technical data

System data	
Interface	u-remote system bus
Transmission rate of system bus	48 Mbps
Galvanic isolation	DC 500 V between current paths
Supply	
Voltage supply	24 V DC +20 % / -15 % via the system bus
Current consumption (I _{IN} in power segment of field bus coupler), typ.	8 mA
Current consumption (I _{OUT} in the respective power segment)	15 mA + load
Digital outputs	
Number	8
Type of load	ohmic, inductive, lamp load
Response time, high	100 µs
Response time, low	250 µs
Output current per channel, max.	0.5 A
Output current per module, max.	4 A
Switching frequency max.	1 kHz
	0.2 Hz without snubber diode / 1 kHz with suitable snubber diode
	1 kHz
Actuator connection	2-wire
Short-circuit-proof	thermal
Non reactive	yes
Module diagnosis	yes
Individual channel diagnosis	no
Shut-down energy (inductive)	150 mJ / channel
Response time of protective circuit (current limitation)	< 100 µs (ambient temperature dependent)
General data	
Weight	87 g
Dimensions (H/W/D)	120 mm (with catch lever) 128 mm x 11,5 mm x 76 mm

System data		
Interface	u-remote system bus	
Transmission rate of system bus	48 Mbps	
Galvanic isolation	DC 500 V between current paths	
Supply		
Voltage supply	24 V DC +20 % / -15 % via the system bus	
Current consumption (I _{IN} in power segment of field bus coupler), typ.	8 mA	
Current consumption (I _{OUT} in the respective power segment)	15 mA + load	
Digital outputs		
Number	8	
Type of load	ohmic, inductive, lamp load	
Response time, high	100 µs	
Response time, low	250 µs	
Output current per channel, max.	0.5 A	
Output current per module, max.	4 A	
Switching frequency max.	1 kHz	
	0.2 Hz without snubber diode / 1 kHz with suitable snubber diode	
	1 kHz	
Actuator connection	2-wire	
Short-circuit-proof	thermal	
Non reactive	yes	
Module diagnosis	yes	
Individual channel diagnosis	no	
Shut-down energy (inductive)	150 mJ / channel	
Response time of protective circuit (current limitation)	< 100 µs (ambient temperature dependent)	
General data		
Weight	87 g	
Dimensions (H/W/D)	120 mm (with catch lever) 128 mm x 11,5 mm x 76 mm	

Ordering data

Module variants	
Digital output module, 8 channels	

Type	Qty.	Order No.
UR20-8DO-P	1	1315240000

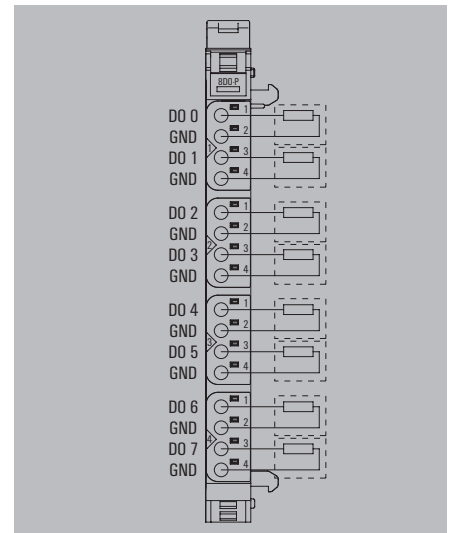
*) For this and additional technical data, please refer to the manual available at www.weidmueller.de or scan the QR code below.

Accessories

Accessories	
Coding elements	
Termination kit	
Swivel marker	
Connection marker for pusher custom printing	
Connection marker for pusher neutral	
Module marker for custom printing	
Module marker for neutral	
Thermotransfer version (Material: Polyester)	
Thermotransfer version (Material: Polyester)	
Paper version for Laserprinter	
Replacement parts	
Electronics module	
Basic module	
Plug-in connector unit	
Note	

Type	Qty.	Order No.
KOSM BHZ5 00	100	1483050000
UR20-EBK-ACC	5	1346610000
UR20-SM-ACC	20	1339920000
PM 2.7/2.6 MC SDR	192	1323700000
PM 2.7/2.6 MC NE WS	960	1323710000
DEK 5/8-11.5 MC SDR	100	1341610000
DEK 5/8-11.5 MC NE WS	500	1341630000
THM UR20 GE * ¹⁾	1	1429910000
THM UR20 WS * ¹⁾	1	1429420000
ESD UR20 DIN A4 WS * ²⁾	10	1429430000
UR20-EM-1315240000-SP	1	1346720000
UR20-BM-SP	5	1350930000
UR20-PK-1315240000-SP	5	1346410000

*¹⁾ 1 roll = 1000 label = 1 Qty.
*²⁾ 1 sheet = 60 label = 1 Qty.



Product standard	IEC 61131-2
EMC	EN 61000
ATEX	EN 60079
UL	UL 508
MSIP	MSIP-REM-WMG-1315240000



Let's connect.

8DO-P-2W-HD

- 8 digital outputs
- Can be loaded up to 0.5 A per channel
- Short-circuit-proof
- 2-wire connection
- Positive switching
- DC-13 load
- IEC 61131-2 compliant

Technical data

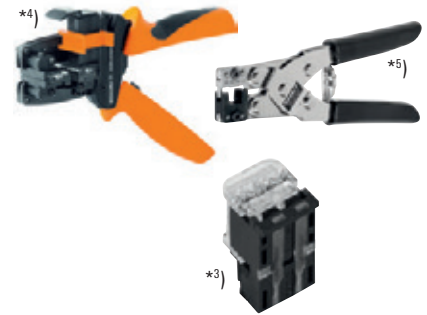
System data	
Interface	u-remote system bus
Transmission rate of system bus	48 Mbps
Galvanic isolation	500 V DC between current paths
Supply	
Voltage supply	24 V DC +20 % / -15 % via the system bus
Current consumption (I_{IN} in power segment of field bus coupler), typ.	8 mA
Current consumption (I_{OUT} in the respective power segment)	40 mA + load
Digital outputs	
Number	8
Type of load	ohmic, inductive, lamp load
Response time, high	max. 50 μ s
Response time, low	max. 100 μ s
Output current per channel, max.	0.5 A
Output current per module, max.	4
Switching frequency max.	
	1 kHz
	0.2 kHz
	1 kHz
	2-wire
Actuator connection	thermal
Short-circuit-proof	yes
Non reactive	yes
Module diagnosis	no
Individual channel diagnosis	150 mJ / channel
Shut-down energy (inductive)	< 100 μ s (ambient temperature dependent)
Response time of protective circuit (current limitation)	
General data	
Weight	88 g
Dimensions (H/W/D)	120 mm (with catch lever 128 mm) x 11.5 mm x 76 mm

Ordering data

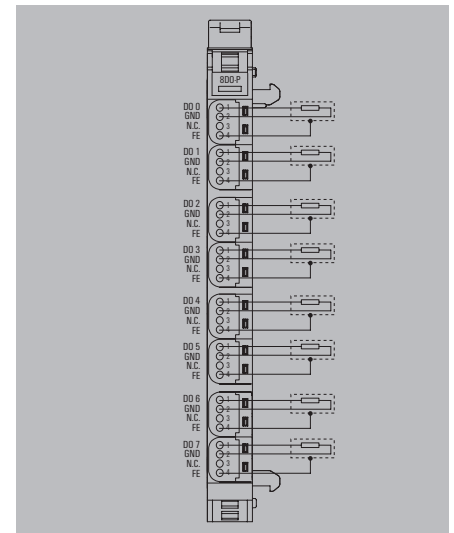
Module variants	
Digital output module, 8 channels, HD-plug	
Note	

Accessories

Coding elements	
Termination kit	
Swivel marker	
^{*3)} HD-Plug	
^{*4)} Stripping tool	
^{*5)} Pressing tool	
Module marker for custom printing	
Module marker for neutral	
Thermotransfer version (Material: Polyester)	
Thermotransfer version (Material: Polyester)	
Paper version for Laserprinter	
Replacement parts	
Electronics module	
Basic module	
Plug-in connector unit	
Note	

UR20-8DO-P-2W-HD


Note: Please order connector separately



Type	Qty.	Order No.
UR20-8DO-P-2W-HD	1	1509830000

Type	Qty.	Order No.
KOSM BHZ5.00	100	1483050000
UR20-EBK-ACC	5	1346610000
UR20-SM-ACC	20	1339920000
UR20-PGO.35	8	1469340000
multi-stripax 6-16	1	9202210000
PWZ-UR20-HD	1	1525820000
DEK 5/8-11.5 MC SDR	100	1341610000
DEK 5/8-11.5 MC NE WS	500	1341630000
THM UR20 GE ^{*1)}	1	1429910000
THM UR20 WS ^{*1)}	1	1429420000
ESO UR20 DIN A4 WS ^{*2)}	10	1429430000
UR20-EM-1509830000-SP	1	1515450000
UR20-BM-SP	5	1350930000
UR20-PK-1509830000-SP	5	1559720000

^{*1)} 1 roll = 1000 label = 1 Qty.
^{*2)} 1 sheet = 60 label = 1 Qty.

Product standard	IEC 61131-2
EMC	EN 61000
ATEX	EN 60079
UL	UL 508



Let's connect.

16DO-P

- 16 digital outputs
- Can be loaded up to 0.5 A per channel
- Short-circuit-proof
- 1-wire connection
- Positive switching
- DC-13 load
- IEC 61131-2 compliant

UR20-16DO-P



Technical data

System data	
Interface	u-remote system bus
Transmission rate of system bus	48 Mbps
Galvanic isolation	DC 500 V between current paths
Supply	
Voltage supply	24 V DC +20 % / -15 % via the system bus
Current consumption (I _{IN} in power segment of field bus coupler), typ.	8 mA
Current consumption (I _{OUT} in the respective power segment)	20 mA + load
Digital outputs	
Number	16
Type of load	ohmic, inductive, lamp load
Response time, high	100 µs
Response time, low	250 µs
Output current per channel, max.	0.5 A
Output current per module, max.	8 A
Switching frequency max.	
	1 kHz
	0.2 kHz
	1 kHz
Actuator connection	1-wire
Short-circuit-proof	thermal
Non reactive	yes
Module diagnosis	yes
Individual channel diagnosis	no
Shut-down energy (inductive)	150 mJ / channel
Response time of protective circuit (current limitation)	< 100 µs (ambient temperature dependent)
General data	
Weight	83 g
Dimensions (H/W/D)	120 mm (with catch lever 128 mm) x 11,5 mm x 76 mm

System data		
Interface	u-remote system bus	
Transmission rate of system bus	48 Mbps	
Galvanic isolation	DC 500 V between current paths	
Supply		
Voltage supply	24 V DC +20 % / -15 % via the system bus	
Current consumption (I _{IN} in power segment of field bus coupler), typ.	8 mA	
Current consumption (I _{OUT} in the respective power segment)	20 mA + load	
Digital outputs		
Number	16	
Type of load	ohmic, inductive, lamp load	
Response time, high	100 µs	
Response time, low	250 µs	
Output current per channel, max.	0.5 A	
Output current per module, max.	8 A	
Switching frequency max.		
	1 kHz	
	0.2 kHz	
	1 kHz	
Actuator connection	1-wire	
Short-circuit-proof	thermal	
Non reactive	yes	
Module diagnosis	yes	
Individual channel diagnosis	no	
Shut-down energy (inductive)	150 mJ / channel	
Response time of protective circuit (current limitation)	< 100 µs (ambient temperature dependent)	
General data		
Weight	83 g	
Dimensions (H/W/D)	120 mm (with catch lever 128 mm) x 11,5 mm x 76 mm	

Ordering data

Module variants	
Digital output module, 16 channels	

Type	Qty.	Order No.
UR20-16DO-P	1	1315250000

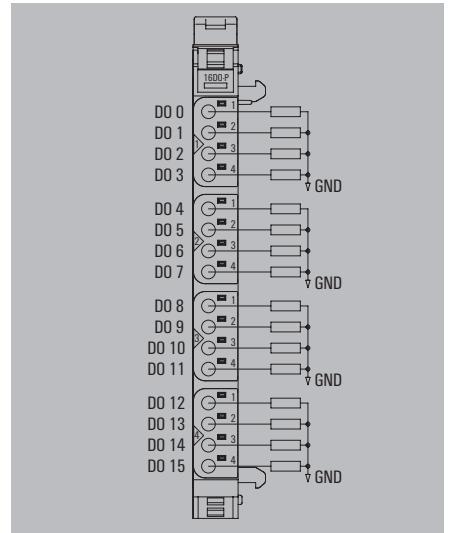
*) For this and additional technical data, please refer to the manual available at www.weidmueller.de or scan the QR code below.

Accessories

Type	Qty.	Order No.
Coding elements	100	1483050000
Termination kit	5	1346610000
Swivel marker	20	1339920000
Connection marker for pusher custom printing	192	1323700000
Connection marker for pusher neutral	960	1323710000
Module marker for custom printing	100	1341610000
Module marker for neutral	500	1341630000
Thermotransfer version (Material: Polyester)	1	1429910000
Thermotransfer version (Material: Polyester)	1	1429420000
Paper version for Laserprinter	10	1429430000
Replacement parts		
Electronics module	1	1346730000
Basic module	5	1350930000
Plug-in connector unit	5	1483990000
Note		

Type	Qty.	Order No.
KOSM BHZ5 00	100	1483050000
UR20-EBK-ACC	5	1346610000
UR20-SM-ACC	20	1339920000
PM 2.7/2.6 MC SDR	192	1323700000
PM 2.7/2.6 MC NE WS	960	1323710000
DEK 5/8-11.5 MC SDR	100	1341610000
DEK 5/8-11.5 MC NE WS	500	1341630000
THM UR20 GE * ¹⁾	1	1429910000
THM UR20 WS * ¹⁾	1	1429420000
ESD UR20 DIN A4 WS * ²⁾	10	1429430000
UR20-EM-1315250000-SP	1	1346730000
UR20-BM-SP	5	1350930000
UR20-PK-1315250000-SP	5	1483990000

*¹⁾ 1 roll = 1000 label = 1 Qty.
*²⁾ 1 sheet = 60 label = 1 Qty.



Product standard	IEC 61131-2
EMC	EN 61000
ATEX	EN 60079
UL	UL 508
MSIP	MSIP-REM-WMG-1315250000



Let's connect.

16DO-P-PLC-INT

- 16 digital outputs
- Can be loaded up to 0.5 A per channel
- Short-circuit-proof
- For connecting a PLC interface element
- Positive switching
- DC-13 load
- IEC 61131-2 compliant

Technical data

System data	
Interface	u-remote system bus
Transmission rate of system bus	48 Mbps
Galvanic isolation	DC 500 V between current paths
Supply	
Voltage supply	24 V DC +20 % / -15 % via the system bus
Current consumption (I_{IN} in power segment of field bus coupler), typ.	8 mA
Current consumption (I_{OUT} external)	20 mA + load
Digital outputs	
Number	16
Type of load	ohmic, inductive, lamp load
Response time, high	100 μ s
Response time, low	250 μ s
Output current per channel, max.	0.5 A
Output current per module, max.	8 A (2 A with supply via a flat ribbon cable)
Switching frequency max.	
	1 kHz
	0.2 kHz
	1 kHz
Actuator connection	PLC interface
Short-circuit-proof	thermal
Non reactive	yes
Module diagnosis	yes
Individual channel diagnosis	no
Shut-down energy (inductive)	150 mJ / channel
Response time of protective circuit (current limitation)	< 100 μ s (ambient temperature dependent)
General data	
Weight	82 g
Dimensions (H/W/D)	120 mm (with catch lever 128 mm) x 11.5 mm x 76 mm

Ordering data

Module variants	
Digital output module, 16 channels, PLC interface	

Accessories

Coding elements	
Termination kit	
Swivel marker	
Connection marker for pusher custom printing	
Connection marker for pusher neutral	
Module marker for custom printing	
Module marker for neutral	
Thermotransfer version (Material: Polyester)	
Thermotransfer version (Material: Polyester)	
Paper version for Laserprinter	
PLC interface element	
Pre-assembled cable, 1m	
Replacement parts	
Electronics module	
Basic module	
Plug-in connector unit	
Note	

UR20-16DO-P-PLC-INT

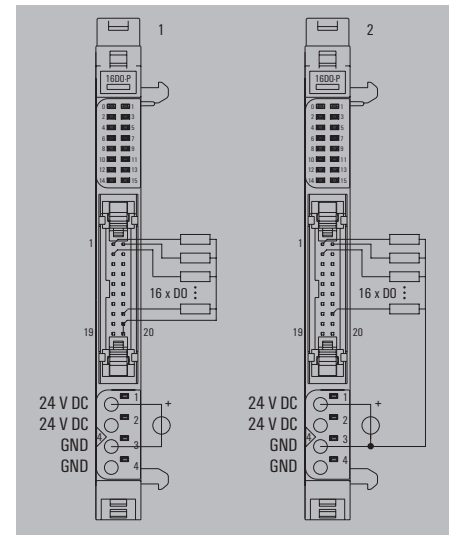


u-remote system bus	
48 Mbps	
DC 500 V between current paths	
24 V DC +20 % / -15 % via the system bus	
8 mA	
20 mA + load	
16	
ohmic, inductive, lamp load	
100 μ s	
250 μ s	
0.5 A	
8 A (2 A with supply via a flat ribbon cable)	
1 kHz	
0.2 kHz	
1 kHz	
PLC interface	
thermal	
yes	
yes	
no	
150 mJ / channel	
< 100 μ s (ambient temperature dependent)	
82 g	
120 mm (with catch lever 128 mm) x 11.5 mm x 76 mm	

Type	Qty.	Order No.
UR20-16DO-P-PLC-INT	1	1315270000

Type	Qty.	Order No.
KOSM BHZ5 00	100	1483050000
UR20-EBK-ACC	5	1346610000
UR20-SM-ACC	20	1339920000
PM 2.7/2.6 MC SDR	192	1323700000
PM 2.7/2.6 MC NE WS	960	1323710000
DEK 5/8-11.5 MC SDR	100	1341610000
DEK 5/8-11.5 MC NE WS	500	1341630000
THM UR20 GE * ¹⁾	1	1429910000
THM UR20 WS * ¹⁾	1	1429420000
ESD UR20 DIN A4 WS * ²⁾	10	1429430000
RS 16IO 1W H S	1	9445700000
PAC-UNIV-HE20-LCH-1M	1	7789306010
UR20-EM-1315270000-SP	1	1346740000
UR20-BM-SP	5	1350930000
UR20-PK-1315270000-SP	5	1483940000

*¹⁾ 1 roll = 1000 label = 1 Qty.
*²⁾ 1 sheet = 60 label = 1 Qty.



Product standard	IEC 61131-2
EMC	EN 61000
ATEX	EN 60079
UL	UL 508
MSIP	MSIP-REM-WMG-1315270000



Let's connect.

4DO-N

- 4 digital outputs
- Can be loaded up to 0.5 A per channel
- Short-circuit-proof
- 2-wire, 3-wire, 3-wire+FE connection
- Negative switching
- DC-13 load
- IEC 61131-2 compliant

UR20-4DO-N



Technical data

System data	
Interface	u-remote system bus
Transmission rate of system bus	48 Mbps
Galvanic isolation	DC 500 V between current paths
Supply	
Voltage supply	24 V DC +20 % / -15 % via the system bus
Current consumption from system current path I _{SY}	8 mA
Current consumption from output current path I _{OUT}	10 mA + load
Outputs	
Number	4, N-switching
Type of load	ohmic, inductive, lamp load
Response time, high	100 µs
Response time, low	250 µs
Output current per channel, max.	0.5 A
Output current per module, max.	2 A
Switching frequency max.	1 kHz
	2 Hz without free-wheeling diode; 1 kHz with suitable free wheeling diode
	10 Hz
Actuator connection	2-wire, 3-wire, 3-wire + FE
Short-circuit-proof	yes
Non reactive	yes
Module diagnosis	yes
Individual channel diagnosis	no
Shut-down energy (inductive)	150 mJ / channel
Response time of protective circuit (current limitation)	< 100 Hs (ambient temperature dependent)
General Data	
Weight	86 g
Dimensions (H/W/D)	120 mm (with catch lever 128 mm) x 11.5 mm x 76 mm

Ordering data

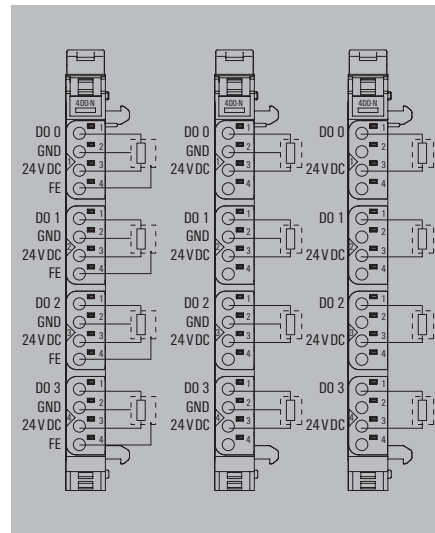
Module variants	
Digital output module, 4 channels	

Type	Qty.	Order No.
UR20-4DO-N	1	1315410000

Accessories

Type	Qty.	Order No.
KOSM BHZ5.00	100	1483050000
UR20-EBK-ACC	5	1346610000
UR20-SM-ACC	20	1339920000
PM 2.7/2.6 MC SDR	192	1323700000
PM 2.7/2.6 MC NE WS	960	1323710000
DEK 5/8-11.5 MC SDR	100	1341610000
DEK 5/8-11.5 MC NE WS	500	1341630000
THM UR20 GE * ¹⁾	1	1429910000
THM UR20 WS * ¹⁾	1	1429420000
ESO UR20 DIN A4 WS * ²⁾	10	1429430000

Replacement parts	
Electronics module	UR20-EM-1315410000-SP 1 1346940000
Basic module	UR20-BM-SP 5 1350930000
Plug-in connector unit	UR20-PK-1315410000-SP 5 1559840000
Note	
* ¹⁾ 1 roll = 1000 label = 1 Qty.	
* ²⁾ 1 sheet = 60 label = 1 Qty.	



Product standard	IEC 61131-2
EMC	EN 61000
ATEX (in preparation)	EN 60079
UL (in preparation)	UL 508



Let's connect.

4DO-N-2A

- 4 digital outputs
- Module can be loaded up to 8 A
- Can be loaded up to 2 A per channel
- Short-circuit-proof
- 2-wire, 3-wire, 3-wire+FE connection
- Negative switching
- DC-13 load
- IEC 61131-2 compliant

Technical data

System data

Interface
Transmission rate of system bus
Galvanic isolation

Supply

Voltage supply
Current consumption from system current path I_{SYS}
Current consumption from output current path I_{OUT}

Outputs

Number
Type of load
Response time, high
Response time, low
Output current per channel, max.
Output current per module, max.
Switching frequency max.
Resistive load (min. 47 Ω)
Inductive load (DC 13)
Lamp load (48 W)

Actuator connection
Short-circuit-proof
Non reactive
Module diagnosis
Individual channel diagnosis
Shut-down energy (inductive)
Response time of protective circuit (current limitation)

General Data

Weight
Dimensions (H/W/D)

Ordering data

Module variants

Digital output module, 4 channels, 2 A

Accessories

Coding elements
Termination kit
Swivel marker
Connection marker for pusher custom printing
Connection marker for pusher neutral
Module marker for custom printing
Module marker for neutral
Thermotransfer version (Material: Polyester)
Thermotransfer version (Material: Polyester)
Paper version for Laserprinter

Replacement parts

Electronics module
Basic module
Plug-in connector unit

Note

UR20-4DO-N-2A



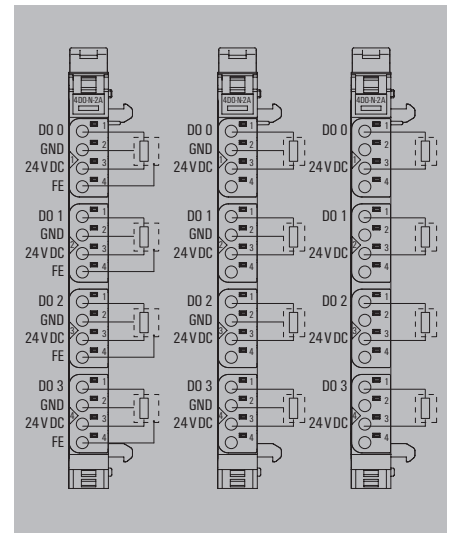
u-remote system bus	48 Mbps
DC 500 V between current paths	
24 V DC +20 % / -15 % via the system bus	8 mA
	10 mA + load
4, N-switching	
ohmic, inductive, lamp load	
	100 μ s
	250 μ s
	2 A
	8 A
	1 kHz
	2 Hz without free-wheeling diode; 1 kHz with suitable free wheeling diode
	10 Hz
	2-wire, 3-wire, 3-wire + FE
	yes
	yes
	yes
	no
	150 mJ / channel
	< 100 Hs (ambient temperature dependent)
	89 g
	120 mm (with catch lever 128 mm) x 11.5 mm x 76 mm

Type	Qty.	Order No.
UR20-4DO-N-2A	1	1315420000

Type	Qty.	Order No.
KOSM BHZ5.00	100	1483050000
UR20-EBK-ACC	5	1346610000
UR20-SM-ACC	20	1339920000
PM 2.7/2.6 MC SDR	192	1323700000
PM 2.7/2.6 MC NE WS	960	1323710000
DEK 5/8-11.5 MC SDR	100	1341610000
DEK 5/8-11.5 MC NE WS	500	1341630000
THM UR20 GE ^{*1)}	1	1429910000
THM UR20 WS ^{*1)}	1	1429420000
ESD UR20 DIN A4 WS ^{*2)}	10	1429430000

UR20-EM-1315420000-SP	1	1346950000
UR20-BM-SP	5	1350930000
UR20-PK-1315420000-SP	5	1559850000

^{*1)} 1 roll = 1000 label = 1 Qty.
^{*2)} 1 sheet = 60 label = 1 Qty.



Product standard	IEC 61131-2
EMC	EN 61000
ATEX (in preparation)	EN 60079
UL (in preparation)	UL 508



Let's connect.

Technical data

Machinery

Process

Energy

Transportation

Device Manufacturers

8DO-N

- 8 digital outputs
- Can be loaded up to 0.5 A per channel
- Short-circuit-proof
- 2-wire connection
- Negative switching
- DC-13 load
- IEC 61131-2 compliant

UR20-8DO-N



Technical data

System data	
Interface	u-remote system bus
Transmission rate of system bus	48 Mbps
Galvanic isolation	DC 500 V between current paths
Supply	
Voltage supply	24 V DC +20 % / -15 % via the system bus
Current consumption from system current path I _{SYS}	8 mA
Current consumption from output current path I _{OUT}	10 mA + load
Outputs	
Number	8, N-switching
Type of load	ohmic, inductive, lamp load
Response time, high	100 µs
Response time, low	250 µs
Output current per channel, max.	0.5 A
Output current per module, max.	4 A
Switching frequency max.	1 kHz
	2 Hz without free-wheeling diode; 1 kHz with suitable free wheeling diode
	10 Hz
Actuator connection	2-wire
Short-circuit-proof	yes
Non reactive	yes
Module diagnosis	yes
Individual channel diagnosis	no
Shut-down energy (inductive)	150 mJ / channel
Response time of protective circuit (current limitation)	< 100 µs
General Data	
Weight	87 g
Dimensions (H/W/D)	120 mm (with catch lever 128 mm) x 11,5 mm x 76 mm

System data		
Interface	u-remote system bus	
Transmission rate of system bus	48 Mbps	
Galvanic isolation	DC 500 V between current paths	
Supply		
Voltage supply	24 V DC +20 % / -15 % via the system bus	
Current consumption from system current path I _{SYS}	8 mA	
Current consumption from output current path I _{OUT}	10 mA + load	
Outputs		
Number	8, N-switching	
Type of load	ohmic, inductive, lamp load	
Response time, high	100 µs	
Response time, low	250 µs	
Output current per channel, max.	0.5 A	
Output current per module, max.	4 A	
Switching frequency max.	1 kHz	
	2 Hz without free-wheeling diode; 1 kHz with suitable free wheeling diode	
	10 Hz	
Actuator connection	2-wire	
Short-circuit-proof	yes	
Non reactive	yes	
Module diagnosis	yes	
Individual channel diagnosis	no	
Shut-down energy (inductive)	150 mJ / channel	
Response time of protective circuit (current limitation)	< 100 µs	
General Data		
Weight	87 g	
Dimensions (H/W/D)	120 mm (with catch lever 128 mm) x 11,5 mm x 76 mm	

Ordering data

Module variants	
Digital output module, 8 channels	

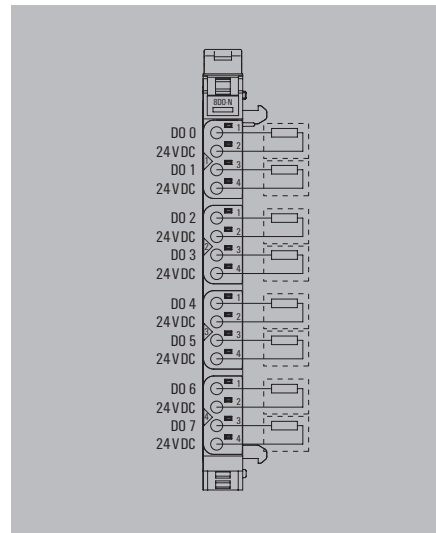
Type	Qty.	Order No.
UR20-8DO-N	1	1315430000

Accessories

Accessories	
Coding elements	
Termination kit	
Swivel marker	
Connection marker for pusher custom printing	
Connection marker for pusher neutral	
Module marker for custom printing	
Module marker for neutral	
Thermotransfer version (Material: Polyester)	
Thermotransfer version (Material: Polyester)	
Paper version for Laserprinter	
Replacement parts	
Electronics module	
Basic module	
Plug-in connector unit	
Note	

Type	Qty.	Order No.
KOSM BHZ5.00	100	1483050000
UR20-EBK-ACC	5	1346610000
UR20-SM-ACC	20	1339920000
PM 2.7/2.6 MC SDR	192	1323700000
PM 2.7/2.6 MC NE WS	960	1323710000
DEK 5/8-11.5 MC SDR	100	1341610000
DEK 5/8-11.5 MC NE WS	500	1341630000
THM UR20 GE ^{*1)}	1	1429910000
THM UR20 WS ^{*1)}	1	1429420000
ESD UR20 DIN A4 WS ^{*2)}	10	1429430000
UR20-EM-1315430000-SP	1	1346970000
UR20-BM-SP	5	1350930000
UR20-PK-1315430000-SP	5	1984770000

^{*1)} 1 roll = 1000 label = 1 Qty.
^{*2)} 1 sheet = 60 label = 1 Qty.



Product standard	IEC 61131-2
EMC	EN 61000
ATEX (in preparation)	EN 60079
UL (in preparation)	UL 508



Let's connect.

16DO-N

- 16 digital outputs
- Can be loaded up to 0.5 A per channel
- Short-circuit-proof
- 1-wire connection
- Negative switching
- DC-13 load
- IEC 61131-2 compliant

Technical data

System data	
Interface	u-remote system bus
Transmission rate of system bus	48 Mbps
Galvanic isolation	DC 500 V between current paths
Supply	
Voltage supply	24 V DC +20 % / -15 % via the system bus
Current consumption (I_{IN} in power segment of field bus coupler), typ.	8 mA
Current consumption (I_{OUT} in the respective power segment)	15 mA + load
Digital outputs	
Number	16, N-switching
Type of load	ohmic, inductive, lamp load
Response time, high	100 μ s
Response time, low	250 μ s
Output current per channel, max.	0.5 A
Output current per module, max.	8 A
Switching frequency max.	1 kHz
	2 Hz
	10 Hz
	1-wire
Actuator connection	thermal
Short-circuit-proof	yes
Non reactive	yes
Module diagnosis	no
Individual channel diagnosis	150 mJ / channel
Shut-down energy (inductive)	< 100 μ s
Response time of protective circuit (current limitation)	
General data	
Weight	89 g
Dimensions (H/W/D)	120 mm (with catch lever 128 mm) x 11.5 mm x 76 mm

Ordering data

Module variants	
Digital output module, 16 channels	

Accessories

Coding elements	
Termination kit	
Swivel marker	
Connection marker for pusher custom printing	
Connection marker for pusher neutral	
Module marker for custom printing	
Module marker for neutral	
Thermotransfer version (Material: Polyester)	
Thermotransfer version (Material: Polyester)	
Paper version for Laserprinter	
Replacement parts	
Electronics module	
Basic module	
Plug-in connector unit	

Note	

UR20-16DO-N

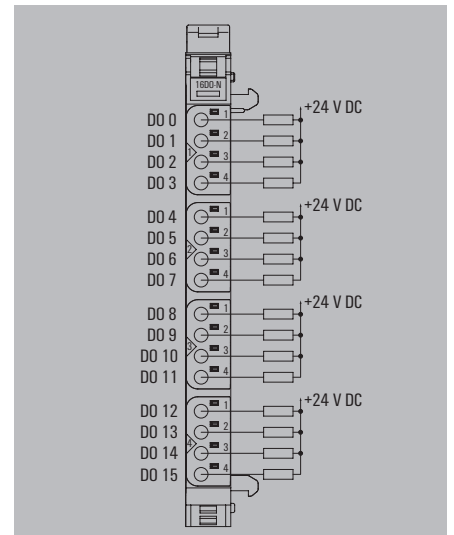


Type		
UR20-16DO-N	Qty. 1	Order No. 1315440000

Type	Qty.	Order No.
KOSM BHZ5 00	100	1483050000
UR20-EBK-ACC	5	1346610000
UR20-SM-ACC	20	1339920000
PM 2.7/2.6 MC SDR	192	1323700000
PM 2.7/2.6 MC NE WS	960	1323710000
DEK 5/8-11.5 MC SDR	100	1341610000
DEK 5/8-11.5 MC NE WS	500	1341630000
THM UR20 GE * ¹⁾	1	1429910000
THM UR20 WS * ¹⁾	1	1429420000
ESD UR20 DIN A4 WS * ²⁾	10	1429430000

UR20-EM-1315440000-SP	1	1346980000
UR20-BM-SP	5	1350930000
UR20-PK-1315440000-SP	5	2000520000

*¹⁾ 1 roll = 1000 label = 1 Qty.
*²⁾ 1 sheet = 60 label = 1 Qty.



Product standard	IEC 61131-2
EMC (in preparation)	EN 61000
ATEX (in preparation)	EN 60079
UL (in preparation)	UL 61010-2-201
MSIP (in preparation)	MSIP-REM-WMG-1315440000



Let's connect.

16DO-N-PLC-INT

- 16 digital outputs
- Can be loaded up to 0.5 A per channel
- Short-circuit-proof
- For connecting a PLC interface element
- Negative switching
- DC-13 load
- IEC 61131-2 compliant

Technical data

System data
Interface
Transmission rate of system bus
Galvanic isolation
Supply
Voltage supply
Current consumption (I _{IN} in power segment of field bus coupler), typ.
Current consumption (I _{OUT} external)
Digital outputs
Number
Type of load
Response time, high
Response time, low
Output current per channel, max.
Output current per module, max.
Switching frequency max.
Resistive load (min. 47 Ω)
Inductive load (DC 13)
Lamp load (12 W)
Actuator connection
Short-circuit-proof
Non reactive
Module diagnosis
Individual channel diagnosis
Shut-down energy (inductive)
Response time of protective circuit (current limitation)
General data
Weight
Dimensions (H/W/D)

Ordering data

Module variants
Digital output module, 16 channels, PLC interface

Accessories

Coding elements
Termination kit
Swivel marker
Connection marker for pusher custom printing
Connection marker for pusher neutral
Module marker for custom printing
Module marker for neutral
Thermotransfer version (Material: Polyester)
Thermotransfer version (Material: Polyester)
Paper version for Laserprinter
PLC interface element
Pre-assembled cable, 1m
Replacement parts
Electronics module
Basic module
Plug-in connector unit
Note

UR20-16DO-N-PLC-INT

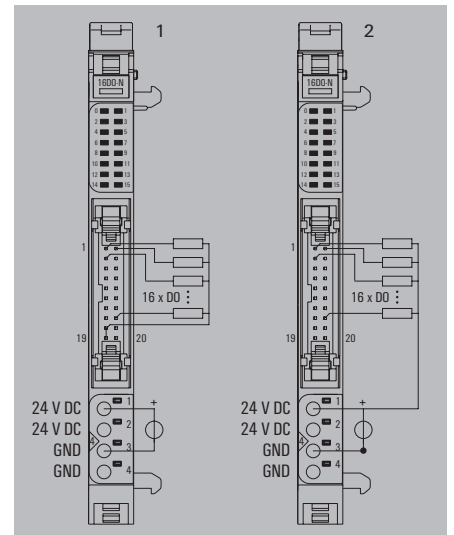


u-remote system bus
48 Mbps
DC 500 V between current paths
24 V DC +20 % / -15 % via the system bus
8 mA
30 mA + load, power supply via feed-in plug or PLC connection
16, N-switching
ohmic, inductive, lamp load
100 μs
250 μs
0.5 A
8 A (2 A with supply via a flat ribbon cable)
1 kHz
2 Hz
10 Hz
PLC interface
thermal
yes
yes
no
150 mJ / channel
< 100 μs
83 g
120 mm (with catch lever 128 mm) x 11.5 mm x 76 mm

Type	Qty.	Order No.
UR20-16DO-N-PLC-INT	1	1315450000

Type	Qty.	Order No.
KOSM BHZ5 00	100	1483050000
UR20-EBK-ACC	5	1346610000
UR20-SM-ACC	20	1339920000
PM 2.7/2.6 MC SDR	192	1323700000
PM 2.7/2.6 MC NE WS	960	1323710000
DEK 5/8-11.5 MC SDR	100	1341610000
DEK 5/8-11.5 MC NE WS	500	1341630000
THM UR20 GE * ¹⁾	1	1429910000
THM UR20 WS * ¹⁾	1	1429420000
ESD UR20 DIN A4 WS * ²⁾	10	1429430000
RS 16IO 1W H S	1	9445700000
PAC-UNIV-HE20-LCH-1M	1	7789306010
UR20-EM-1315450000-SP	1	1346990000
UR20-BM-SP	5	1350930000
UR20-PK-1315450000-SP	5	2000540000

*¹⁾ 1 roll = 1000 label = 1 Qty.
 *²⁾ 1 sheet = 60 label = 1 Qty.



Product standard	IEC 61131-2
EMC (in preparation)	EN 61000
ATEX (in preparation)	EN 60079
UL (in preparation)	UL 61010-2-201
MSIP (in preparation)	MSIP-REM-WMG-1315450000



Let's connect.

4RO-SSR-255

- 4 digital outputs
- Can be loaded up to 1 A per channel
- Solid-state relay

UR20-4RO-SSR-255

Technical data
System data

Interface
Transmission rate of system bus
Galvanic isolation

Supply

Voltage supply
Current consumption (I_{IN} in power segment of field bus coupler), typ.
Current consumption (I_{OUT} in the respective power segment)

Digital outputs

Number
Type
Response time, high
Response time, low
Output current per channel, max.
Output current per module, max.
Switching frequency max.
Short-circuit-proof
Non reactive
Switching voltage max.
Module diagnosis
Individual channel diagnosis

General data

Weight
Dimensions (H/W/D)

u-remote system bus
48 Mbps
DC 500 V between current paths

24 V DC +20 % / -15 % via the system bus
8 mA
< 15 mA

4
SSR / Triac
max. 20 ms, zero-crossing-detection
max. 20 ms, zero-crossing-detection

1 A
4 A

40 Hz

no

yes

277 V AC ^{*1)}

yes

no

83 g

120 mm (with catch lever 128 mm) x 11,5 mm x 76 mm

Ordering data
Module variants

Digital output module, 4 channels, SSR

Type	Qty.	Order No.
UR20-4RO-SSR-255	1	1315540000

Accessories

Coding elements
Termination kit
Swivel marker
Connection marker for pusher custom printing
Connection marker for pusher neutral
Module marker for custom printing
Module marker for neutral
Thermotransfer version (Material: Polyester)
Thermotransfer version (Material: Polyester)
Paper version for Laserprinter

Replacement parts

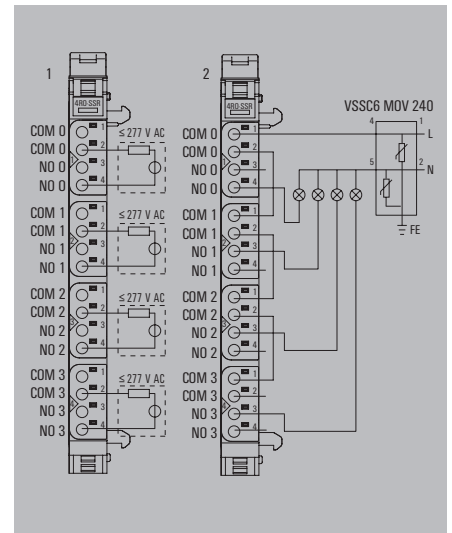
Electronics module
Basic module
Plug-in connector unit

Note

Type	Qty.	Order No.
KDSM BHZ5.00	100	1483050000
UR20-EBK-ACC	5	1346610000
UR20-SM-ACC	20	1339920000
PM 2.7/2.6 MC SDR	192	1323700000
PM 2.7/2.6 MC NE WS	960	1323710000
DEK 5/8-11.5 MC SDR	100	1341610000
DEK 5/8-11.5 MC NE WS	500	1341630000
THM UR20 GE ^{*1)}	1	1429910000
THM UR20 WS ^{*1)}	1	1429420000
ESO UR20 DIN A4 WS ^{*2)}	10	1429430000

UR20-EM-1315540000-SP	1	1347120000
UR20-BM-SP	5	1350930000
UR20-PK-1315540000-SP	5	1484000000

^{*1)} 1 roll = 1000 label = 1 Qty.
^{*2)} 1 sheet = 60 label = 1 Qty.



Product standard	IEC 61131-2
EMC	EN 61000
ATEX	EN 60079
UL	UL 508



Let's connect.

4RO-C0-255

- 4 digital outputs
- Can be loaded up to 6 A per channel
- Relay output, change-over contact
- Switching voltage 277 V AC/DC

UR20-4RO-C0-255



Technical data

System data	
Interface	u-remote system bus
Transmission rate of system bus	48 Mbps
Galvanic isolation	DC 500 V between current paths
Supply	
Voltage supply	24 V DC +20 % / - 15 % via the system bus
Current consumption (I _{in} in power segment of field bus coupler), typ.	8 mA
Current consumption (I _{out} in the respective power segment)	< 15 mA
Digital outputs	
Number	4
Type	Change-over contact
Response time, high	20 ms
Response time, low	20 ms
Output current per channel, max.	5 A at 60 °C / 6 A at 55 °C
Output current per module, max.	20 A at 60 °C / 24 A at 55 °C
Switching frequency max.	5 Hz
Short-circuit-proof	no
Non reactive	yes
Switching voltage max.	277 V AC/DC *)
Module diagnosis	yes
Individual channel diagnosis	no
General data	
Weight	83 g
Dimensions (H/W/D)	120 mm (with catch lever 128 mm) x 11,5 mm x 76 mm

System data		
Interface	u-remote system bus	
Transmission rate of system bus	48 Mbps	
Galvanic isolation	DC 500 V between current paths	
Supply		
Voltage supply	24 V DC +20 % / - 15 % via the system bus	
Current consumption (I _{in} in power segment of field bus coupler), typ.	8 mA	
Current consumption (I _{out} in the respective power segment)	< 15 mA	
Digital outputs		
Number	4	
Type	Change-over contact	
Response time, high	20 ms	
Response time, low	20 ms	
Output current per channel, max.	5 A at 60 °C / 6 A at 55 °C	
Output current per module, max.	20 A at 60 °C / 24 A at 55 °C	
Switching frequency max.	5 Hz	
Short-circuit-proof	no	
Non reactive	yes	
Switching voltage max.	277 V AC/DC *)	
Module diagnosis	yes	
Individual channel diagnosis	no	
General data		
Weight	83 g	
Dimensions (H/W/D)	120 mm (with catch lever 128 mm) x 11,5 mm x 76 mm	

Ordering data

Module variants	
Digital output module, 4 channels, relay	

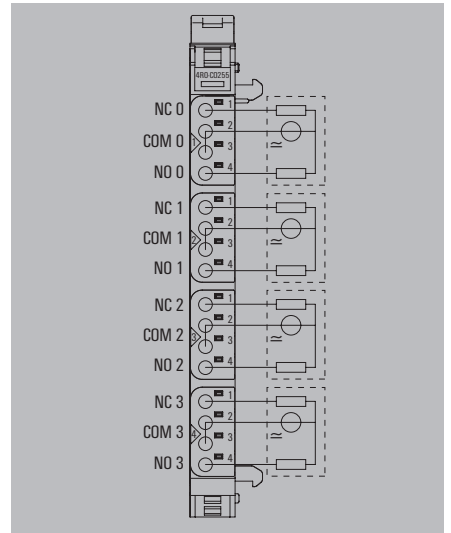
Type	Qty.	Order No.
UR20-4RO-C0-255	1	1315550000

Accessories

Accessories	
Coding elements	
Termination kit	
Swivel marker	
Connection marker for pusher custom printing	
Connection marker for pusher neutral	
Module marker for custom printing	
Module marker for neutral	
Thermotransfer version (Material: Polyester)	
Thermotransfer version (Material: Polyester)	
Paper version for Laserprinter	
Replacement parts	
Electronics module	
Basic module	
Plug-in connector unit	
Note	

Type	Qty.	Order No.
KDSM BHZ5.00	100	1483050000
UR20-EBK-ACC	5	1346610000
UR20-SM-ACC	20	1339920000
PM 2.7/2.6 MC SDR	192	1323700000
PM 2.7/2.6 MC NE WS	960	1323710000
DEK 5/8-11.5 MC SDR	100	1341610000
DEK 5/8-11.5 MC NE WS	500	1341630000
THM UR20 GE *)	1	1429910000
THM UR20 WS *)	1	1429420000
ESO UR20 DIN A4 WS *)	10	1429430000
UR20-EM-1315550000-SP	1	1347130000
UR20-BM-SP	5	1350930000
UR20-PK-1315550000-SP	5	1346500000

*) 1 roll = 1000 label = 1 Qty.
 *) 1 sheet = 60 label = 1 Qty.



Product standard	IEC 61131-2
EMC	EN 61000
ATEX	EN 60079
UL	UL 508
MSIP	MSIP-REM-WMG-1315550000



Let's connect.

2PWM-PN-0.5A

- 2 pulse width modulation module outputs
- Can be loaded up to 0.5 A per channel
- Short-circuit-proof
- Push/pull output
- Maximum 40 kHz output frequency (adjustable)

Technical data

System data	
Interface	u-remote system bus
Transmission rate of system bus	48 Mbps
Galvanic isolation	DC 500 V between current paths
Supply	
Voltage supply	24 V DC +20 % / -15 % via the system bus
Current consumption (I_{in} in power segment of field bus coupler), typ.	8 mA
Current consumption (I_{out} in the respective power segment)	40 mA + Load
Digital outputs	
Number	2
Type	PWM push/pull output stage
Resolution	32 Bit
Accuracy	1 Bit
Response time, high	< 100 ns
Response time, low	< 100 ns
Output current per channel, max.	0.5 A
Output current per module, max.	1 A
Switching frequency max.	
	Resistive load (min. 47 Ω)
	Inductive load (DC 13)
	Lamp load (12 W)
Actuator connection	yes
Short-circuit-proof	yes
Module diagnosis	yes
Individual channel diagnosis	no
Non reactive	yes
Pulse duty factor	0 - 100 % push/pull or push parameterisable
General data	
Weight	77 g
Dimensions (H/W/D)	120 mm (with catch lever) x 11,5 mm x 76 mm

Ordering data

Module variants	
Digital output module, PWM, 2 channels, 0.5 A	

Accessories

Coding elements	KDSM BHZ5.00	100	1483050000
Termination kit	UR20-EBK-ACC	5	1346610000
Swivel marker	UR20-SM-ACC	20	1339920000
Connection marker for pusher custom printing	PM 2.7/2.6 MC SDR	192	1323700000
Connection marker for pusher neutral	PM 2.7/2.6 MC NE WS	960	1323710000
Module marker for custom printing	DEK 5/8-11.5 MC SDR	100	1341610000
Module marker for neutral	DEK 5/8-11.5 MC NE WS	500	1341630000
Thermotransfer version (Material: Polyester)	THM UR20 GE * ¹⁾	1	1429910000
Thermotransfer version (Material: Polyester)	THM UR20 WS * ¹⁾	1	1429420000
Paper version for Laserprinter	ESO UR20 DIN A4 WS * ²⁾	10	1429430000
Replacement parts			
Electronics module	UR20-EM-1315600000-SP	1	1347180000
Basic module	UR20-BM-SP	5	1350930000
Plug-in connector unit	UR20-PK-1315600000-SP	5	1484010000
Note			

UR20-2PWM-PN-0.5A

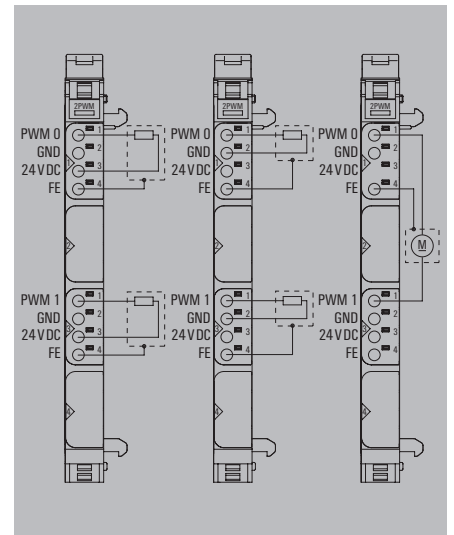


u-remote system bus	
48 Mbps	
DC 500 V between current paths	
24 V DC +20 % / -15 % via the system bus	
8 mA	
40 mA + Load	
2	
PWM push/pull output stage	
32 Bit	
1 Bit	
< 100 ns	
< 100 ns	
0.5 A	
1 A	
static, 6 Hz to 40 kHz	
static, 6 Hz to 40 kHz	
static, 6 Hz to 40 kHz	
yes	
yes	
yes	
no	
yes	
0 - 100 % push/pull or push parameterisable	
77 g	
120 mm (with catch lever) x 11,5 mm x 76 mm	

Type	Qty.	Order No.
UR20-2PWM-PN-0.5A	1	1315600000

Type	Qty.	Order No.
KDSM BHZ5.00	100	1483050000
UR20-EBK-ACC	5	1346610000
UR20-SM-ACC	20	1339920000
PM 2.7/2.6 MC SDR	192	1323700000
PM 2.7/2.6 MC NE WS	960	1323710000
DEK 5/8-11.5 MC SDR	100	1341610000
DEK 5/8-11.5 MC NE WS	500	1341630000
THM UR20 GE * ¹⁾	1	1429910000
THM UR20 WS * ¹⁾	1	1429420000
ESO UR20 DIN A4 WS * ²⁾	10	1429430000
UR20-EM-1315600000-SP	1	1347180000
UR20-BM-SP	5	1350930000
UR20-PK-1315600000-SP	5	1484010000

*¹⁾ 1 roll = 1000 label = 1 Qty.
 *²⁾ 1 sheet = 60 label = 1 Qty.



Product standard	IEC 61131-2
EMC	EN 61000
ATEX	EN 60079
UL	UL 508



Let's connect.

2PWM-PN-2A

- 2 pulse width modulation module outputs
- Can be loaded up to 2 A per channel
- Short-circuit-proof
- Push/pull output
- Maximum 40 kHz output frequency (adjustable)

UR20-2PWM-PN-2A



Technical data

System data	
Interface	u-remote system bus
Transmission rate of system bus	48 Mbps
Galvanic isolation	DC 500 V between current paths
Supply	
Voltage supply	24 V DC +20 % / -15 % via the system bus
Current consumption (I _{in} in power segment of field bus coupler), typ.	8 mA
Current consumption (I _{out} in the respective power segment)	40 mA + Load
Digital outputs	
Number	2
Type	DO PWM push/pull output stage
Resolution	32 Bit
Accuracy	1 Bit
Response time, high	< 100 ns
Response time, low	< 100 ns
Output current per channel, max.	2 A
Output current per module, max.	4 A
Switching frequency max.	
	Resistive load (min. 47 Ω)
	Inductive load (DC 13)
	Lamp load (12 W)
Actuator connection	yes
Short-circuit-proof	yes
Module diagnosis	yes
Individual channel diagnosis	no
Non reactive	yes
Pulse duty factor	0 - 100 % push/pull or push parameterisable
General data	
Weight	82 g
Dimensions (H/W/D)	120 mm (with catch lever) 128 mm x 11,5 mm x 76 mm

Technical data		
u-remote system bus		
48 Mbps		
DC 500 V between current paths		
Supply		
24 V DC +20 % / -15 % via the system bus		
8 mA		
40 mA + Load		
Digital outputs		
2		
DO PWM push/pull output stage		
32 Bit		
1 Bit		
< 100 ns		
< 100 ns		
2 A		
4 A		
	static, 6 Hz to 40 kHz	
	static, 6 Hz to 40 kHz	
	static, 6 Hz to 40 kHz	
	yes	
	yes	
	yes	
	no	
	yes	
	0 - 100 % push/pull or push parameterisable	
General data		
82 g		
120 mm (with catch lever) 128 mm x 11,5 mm x 76 mm		

Ordering data

Module variants	
Digital output module, PWM, 2 channels, 2 A	

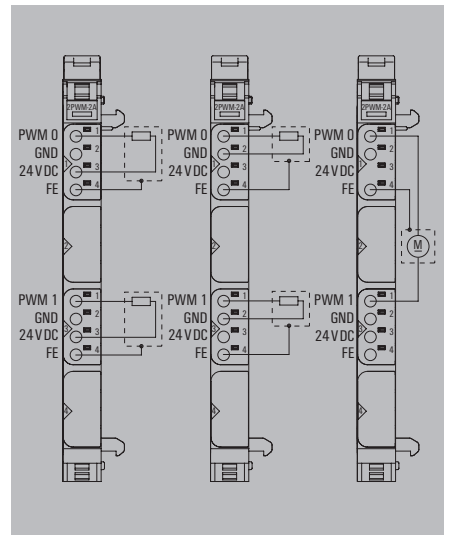
Type	Qty.	Order No.
UR20-2PWM-PN-2A	1	1315610000

Accessories

Accessories	
Coding elements	
Termination kit	
Swivel marker	
Connection marker for pusher custom printing	
Connection marker for pusher neutral	
Module marker for custom printing	
Module marker for neutral	
Thermotransfer version (Material: Polyester)	
Thermotransfer version (Material: Polyester)	
Paper version for Laserprinter	
Replacement parts	
Electronics module	
Basic module	
Plug-in connector unit	
Note	

Type	Qty.	Order No.
KDSM BHZ.00	100	1483050000
UR20-EBK-ACC	5	1346610000
UR20-SM-ACC	20	1339920000
PM 2.7/2.6 MC SDR	192	1323700000
PM 2.7/2.6 MC NE WS	960	1323710000
DEK 5/8-11.5 MC SDR	100	1341610000
DEK 5/8-11.5 MC NE WS	500	1341630000
THM UR20 GE * ¹⁾	1	1429910000
THM UR20 WS * ¹⁾	1	1429420000
ESO UR20 DIN A4 WS * ²⁾	10	1429430000
Replacement parts		
UR20-EM-1315610000-SP	1	1347190000
UR20-BM-SP	5	1350930000
UR20-PK-1315610000-SP	5	1346550000

*¹⁾ 1 roll = 1000 label = 1 Qty.
*²⁾ 1 sheet = 60 label = 1 Qty.



Product standard	
EMC	IEC 61131-2
ATEX	EN 61000
UL	EN 60079
	UL 508



Let's connect.

4AI-UI-16

- 4 analogue inputs
- Parameterisable inputs (voltage, current)
- 16-bit resolution
- 2-wire, 3-wire and 3-wire+FE connection
- Accuracy 0.1 % FSR

UR20-4AI-UI-16



Technical data

System data	
Interface	u-remote system bus
Transmission rate of system bus	48 Mbps
Galvanic isolation	DC 500 V between current paths
Supply	
Voltage supply	24 V DC +20 % / -15 % via the system bus
Current consumption (I _N in power segment of field bus coupler), typ.	8 mA
Current consumption (I _N in the respective power segment)	25 mA + sensor feed
Analogue inputs	
Number	4
Input	1. Voltage (0...5 V, ±5 V, 0...10 V, ±10 V, 1...5 V, 2...10 V) 2. Current (0...20 mA, 4...20 mA)
Resolution	16 Bit
Accuracy	0.1 % FSR
Sensor supply	yes
Sensor connection	2-wire, 3-wire, 3-wire+FE
Conversion time	1 ms
Internal resistance U	100 kΩ
Internal resistance I	41.2 Ω
Reverse polarity protection	yes
Module diagnosis	yes
Individual channel diagnosis	no
Short-circuit-proof	yes
General data	
Weight	89 g
Dimensions (H/W/D)	120 mm (with catch lever 128 mm) x 11,5 mm x 76 mm

Ordering data

Module variants	
Analogue input module, 4 channels, 16 bits	

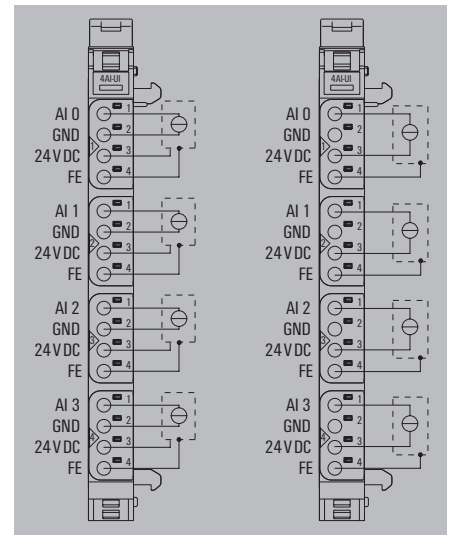
Type	Qty.	Order No.
UR20-4AI-UI-16	1	1315620000

Accessories

Coding elements	KOSM BHZ5.00	100	1483050000
Termination kit	UR20-EBK-ACC	5	1346610000
Swivel marker	UR20-SM-ACC	20	1339920000
Connection marker for pusher custom printing	PM 2.7/2.6 MC SDR	192	1323700000
Connection marker for pusher neutral	PM 2.7/2.6 MC NE WS	960	1323710000
Module marker for custom printing	DEK 5/8-11.5 MC SDR	100	1341610000
Module marker for neutral	DEK 5/8-11.5 MC NE WS	500	1341630000
Thermotransfer version (Material: Polyester)	THM UR20 GE * ¹⁾	1	1429910000
Thermotransfer version (Material: Polyester)	THM UR20 WS * ¹⁾	1	1429420000
Paper version for Laserprinter	ESO UR20 DIN A4 WS * ²⁾	10	1429430000
Replacement parts			
Electronics module	UR20-EM-1315620000-SP	1	1347200000
Basic module	UR20-BM-SP	5	1350930000
Plug-in connector unit	UR20-PK-1315620000-SP	5	1484020000
Note			

Type	Qty.	Order No.
UR20-EM-1315620000-SP	1	1347200000
UR20-BM-SP	5	1350930000
UR20-PK-1315620000-SP	5	1484020000

*¹⁾ 1 roll = 1000 label = 1 Qty.
*²⁾ 1 sheet = 60 label = 1 Qty.



Product standard	IEC 61131-2
EMC	EN 61000
ATEX	EN 60079
UL	UL 508
MSIP	MSIP-REM-WMG-1315620000



Let's connect.

4AI-UI-16-DIAG

- Advanced diagnosis functions
- 4 analogue inputs
- Parameterisable inputs (voltage, current)
- 16-bit resolution
- 2-wire, 3-wire and 3-wire+FE connection
- Accuracy 0.1 % FSR

UR20-4AI-UI-16-DIAG



Technical data

System data

Interface
Transmission rate of system bus
Galvanic isolation

Supply
Voltage supply
Current consumption (I_{IN} in power segment of field bus coupler), typ.
Current consumption (I_{IN} in the respective power segment)

Analogue inputs

Number
Input

Resolution
Accuracy
Sensor supply
Sensor connection
Conversion time
Internal resistance U
Internal resistance I
Reverse polarity protection
Module diagnosis
Individual channel diagnosis
Short-circuit-proof

General data

Weight
Dimensions (H/W/D)

u-remote system bus

48 Mbps
DC 500 V between current paths

24 V DC +20 % / -15 % via the system bus
8 mA
25 mA + sensor feed

4

1. Voltage (0...5 V, ±5 V, 0...10 V, ±10 V, 1...5 V, 2...10 V)
2. Current (0...20 mA, 4...20 mA)

16 Bit
0.1 % FSR
yes
2-wire, 3-wire, 3-wire+FE
1 ms
100 kΩ
approx. 45 Ω
yes
yes
yes
yes

89 g
120 mm (with catch lever 128 mm) x 11,5 mm x 76 mm

Ordering data

Module variants

Analogue input module, 4 channels, 16 bits, diagnosis functions

Type Qty. Order No.

UR20-4AI-UI-16-DIAG 1 **1315690000**

Accessories

Coding elements
Termination kit
Swivel marker
Connection marker for pusher custom printing
Connection marker for pusher neutral
Module marker for custom printing
Module marker for neutral
Thermotransfer version (Material: Polyester)
Thermotransfer version (Material: Polyester)
Paper version for Laserprinter

Type Qty. Order No.

KOSM BHZ5.00 100 **1483050000**
UR20-EBK-ACC 5 **1346610000**
UR20-SM-ACC 20 **1339920000**
PM 2.7/2.6 MC SDR 192 **1323700000**
PM 2.7/2.6 MC NE WS 960 **1323710000**
DEK 5/8-11.5 MC SDR 100 **1341610000**
DEK 5/8-11.5 MC NE WS 500 **1341630000**
THM UR20 GE *¹⁾ 1 **1429910000**
THM UR20 WS *¹⁾ 1 **1429420000**
ESO UR20 DIN A4 WS *²⁾ 10 **1429430000**

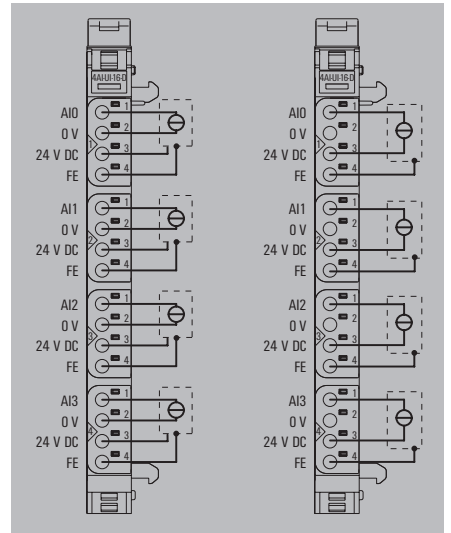
Replacement parts

Electronics module
Basic module
Plug-in connector unit

UR20-EM-1315690000-SP 1 **1347280000**
UR20-BM-SP 5 **1350930000**
UR20-PK-1315690000-SP 5 **1518870000**

Note

*¹⁾ 1 roll = 1000 label = 1 Qty.
*²⁾ 1 sheet = 60 label = 1 Qty.



Product standard	IEC 61131-2
EMC	EN 61000
ATEX	EN 60079
UL	UL 508
MSIP	MSIP-REM-WMG-1315690000



Let's connect.

4AI-UI-16-HD

- 4 plugs with 4 connections per module
- 4 analogue inputs
- Parameterisable inputs (voltage, current)
- 16-bit resolution
- 2-wire, 3-wire and 3-wire+FE connection
- Accuracy 0.1 % FSR

Technical data

System data	
Interface	u-remote system bus
Transmission rate of system bus	48 Mbps
Galvanic isolation	DC 500 V between current paths
Supply	
Voltage supply	24 V DC +20 % / -15 % via the system bus
Current consumption (I _N in power segment of field bus coupler), typ.	8 mA
Current consumption (I _N in the respective power segment)	25 mA + sensor feed
Analogue inputs	
Number	4
Input	1. Voltage (0...5 V, ±5 V, 0...10 V, ±10 V, 1...5 V, 2...10 V) 2. Current (0...20 mA, 4...20 mA)
Resolution	16 Bit
Accuracy	0.1 % FSR
Sensor supply	yes
Sensor connection	2-wire, 3-wire, 3-wire+FE
Conversion time	1 ms
Internal resistance U	100 kΩ
Internal resistance I	approx. 45 Ω
Reverse polarity protection	yes
Module diagnosis	yes
Individual channel diagnosis	no
Short-circuit-proof	yes
General data	
Weight	89 g
Dimensions (H/W/D)	120 mm (with catch lever 128 mm) x 11,5 mm x 76 mm

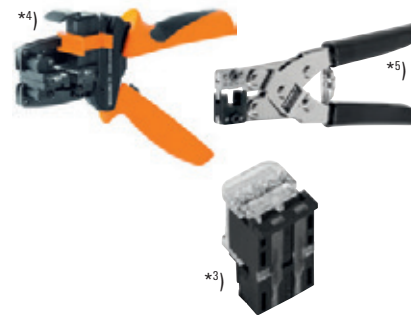
Ordering data

Module variants	
Analogue input module, 4 channels, 16 bits, HD plug	

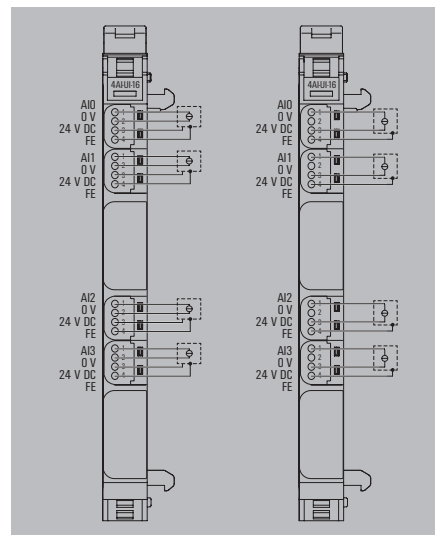
Accessories

Coding elements	KOSM BHZ5.00	100	1483050000
Termination kit	UR20-EBK-ACC	5	1346610000
Swivel marker	UR20-SM-ACC	20	1339920000
*3) HD-Plug	UR20-PGO.35	8	1469340000
*4) Stripping tool	multi-stripax 6-16	1	9202210000
*5) Pressing tool	PWZ-UR20-HD	1	1525820000
Module marker for custom printing	DEK 5/8-11.5 MC SDR	100	1341610000
Module marker for neutral	DEK 5/8-11.5 MC NE WS	500	1341630000
Thermotransfer version (Material: Polyester)	THM UR20 GE *1)	1	1429910000
Thermotransfer version (Material: Polyester)	THM UR20 WS *1)	1	1429420000
Paper version for Laserprinter	ESD UR20 DIN A4 WS *2)	10	1429430000
Replacement parts			
Electronics module	UR20-EM-1506920000-SP	1	1515420000
Basic module	UR20-BM-SP	5	1350930000
Plug-in connector unit	UR20-PK-1506920000-SP	5	1518830000
Note			
*1) 1 roll = 1000 label = 1 Qty. *2) 1 sheet = 60 label = 1 Qty.			

UR20-4AI-UI-16-HD



Note: Please order connector separately



Type	Qty.	Order No.
UR20-4AI-UI-16-HD	1	1506920000

Type	Qty.	Order No.
KOSM BHZ5.00	100	1483050000
UR20-EBK-ACC	5	1346610000
UR20-SM-ACC	20	1339920000
UR20-PGO.35	8	1469340000
multi-stripax 6-16	1	9202210000
PWZ-UR20-HD	1	1525820000
DEK 5/8-11.5 MC SDR	100	1341610000
DEK 5/8-11.5 MC NE WS	500	1341630000
THM UR20 GE *1)	1	1429910000
THM UR20 WS *1)	1	1429420000
ESD UR20 DIN A4 WS *2)	10	1429430000
UR20-EM-1506920000-SP	1	1515420000
UR20-BM-SP	5	1350930000
UR20-PK-1506920000-SP	5	1518830000

Product standard	IEC 61131-2
EMC	EN 61000
ATEX	EN 60079
UL	UL 508



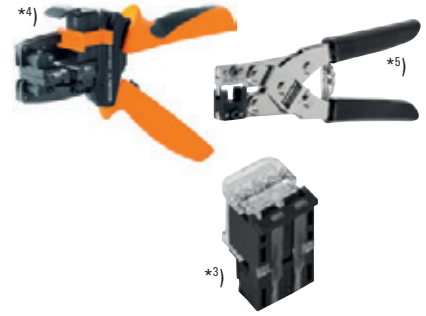
Let's connect.

Technical data
 Machinery
 Process
 Energy
 Transportation
 Device Manufacturers

4AI-UI-16-DIAG-HD

- 4 plugs with 4 connections per module
- Advanced diagnosis functions
- 4 analogue inputs
- Parameterisable inputs (voltage, current)
- 16-bit resolution
- 2-wire, 3-wire and 3-wire+FE connection
- Accuracy 0.1 % FSR

UR20-4AI-UI-16-DIAG-HD



Technical data

System data

Interface
Transmission rate of system bus
Galvanic isolation

Supply

Voltage supply
Current consumption (I_{IN} in power segment of field bus coupler), typ.
Current consumption (I_{IN} in the respective power segment)

Analogue inputs

Number
Input

Resolution
Accuracy
Sensor supply
Sensor connection
Conversion time
Internal resistance U
Internal resistance I
Reverse polarity protection
Module diagnosis
Individual channel diagnosis
Short-circuit-proof

General data

Weight
Dimensions (H/W/D)

u-remote system bus
48 Mbps
DC 500 V between current paths

24 V DC +20 % / -15 % via the system bus
8 mA
25 mA + sensor feed

4
1. Voltage (0...5 V, ±5 V, 0...10 V, ±10 V, 1...5 V, 2...10 V)
2. Current (0...20 mA, 4...20 mA)

16 Bit
0.1 % FSR
yes
2-wire, 3-wire, 3-wire+FE
1 ms
100 kΩ
approx. 45 Ω
yes
yes
yes
yes

89 g
120 mm (with catch lever 128 mm) x 11,5 mm x 76 mm

Ordering data

Module variants
Analogue input module, 4 channels, 16 bits, diagnosis functions, HD plug

Type	Qty.	Order No.
UR20-4AI-UI-16-DIAG-HD	1	1506910000

Accessories

Coding elements
Termination kit
Swivel marker
*) HD-Plug
*) Stripping tool
*) Pressing tool
Module marker for custom printing
Module marker for neutral
Thermotransfer version (Material: Polyester)
Thermotransfer version (Material: Polyester)
Paper version for Laserprinter

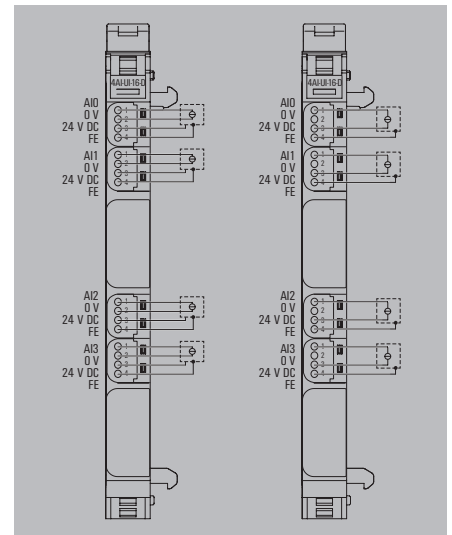
Type	Qty.	Order No.
KOSM BHZ5.00	100	1483050000
UR20-EBK-ACC	5	1346610000
UR20-SM-ACC	20	1339920000
UR20-PGO.35	8	1469340000
multi-stripax 6-16	1	9202210000
PWZ-UR20-HD	1	1525820000
DEK 5/8-11.5 MC SDR	100	1341610000
DEK 5/8-11.5 MC NE WS	500	1341630000
THM UR20 GE *)	1	1429910000
THM UR20 WS *)	1	1429420000
ESO UR20 DIN A4 WS *)	10	1429430000

Replacement parts
Electronics module
Basic module
Plug-in connector unit

UR20-EM-1506910000-SP	1	1515430000
UR20-BM-SP	5	1350930000
UR20-PK-1506910000-SP	5	1518820000

*) 1 roll = 1000 label = 1 Qty.
*) 1 sheet = 60 label = 1 Qty.

Note: Please order connector separately



Product standard	IEC 61131-2
EMC	EN 61000
ATEX	EN 60079
UL	UL 508



Let's connect.

4AI-UI-12

- 4 analogue inputs
- Parameterisable inputs (voltage, current)
- 12-bit resolution
- 2-wire, 3-wire and 3-wire+FE connection
- Accuracy 0.25 % FSR

UR20-4AI-UI-12



Technical data

System data	
Interface	u-remote system bus
Transmission rate of system bus	48 Mbps
Galvanic isolation	DC 500 V between current paths
Supply	
Voltage supply	24 V DC +20 % / -15 % via the system bus
Current consumption (I _N in power segment of field bus coupler), typ.	8 mA
Current consumption (I _N in the respective power segment)	25 mA + sensor feed
Analogue inputs	
Number	4
Input	1. Voltage (0...5 V, ±5 V, 0...10 V, ±10 V, 1...5 V, 2...10 V) 2. Current (0...20 mA, 4...20 mA)
Resolution	12 Bit
Accuracy	0,25 % FSR
Sensor supply	yes
Sensor connection	2-wire, 3-wire, 3-wire+FE
Conversion time	1 ms
Internal resistance U	100 kΩ
Internal resistance I	41.2 Ω
Reverse polarity protection	yes
Module diagnosis	yes
Individual channel diagnosis	no
Short-circuit-proof	yes
General data	
Weight	87 g
Dimensions (H/W/D)	120 mm (with catch lever 128 mm) x 11,5 mm x 76 mm

Ordering data

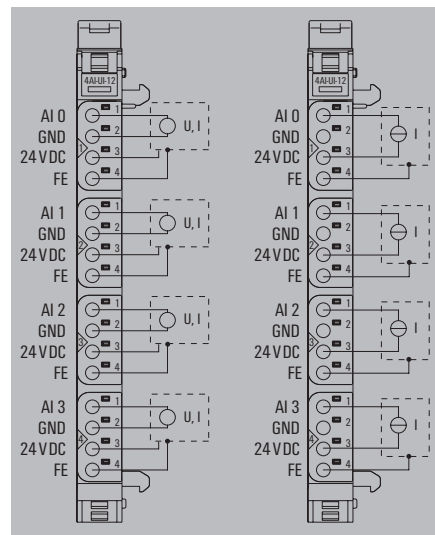
Module variants	
Analogue input module, 4 channels, 12 bits	

Accessories

Coding elements	KDSM BHZ5.00	100	1483050000
Termination kit	UR20-EBK-ACC	5	1346610000
Swivel marker	UR20-SM-ACC	20	1339920000
Connection marker for pusher custom printing	PM 2.7/2.6 MC SDR	192	1323700000
Connection marker for pusher neutral	PM 2.7/2.6 MC NE WS	960	1323710000
Module marker for custom printing	DEK 5/8-11.5 MC SDR	100	1341610000
Module marker for neutral	DEK 5/8-11.5 MC NE WS	500	1341630000
Thermotransfer version (Material: Polyester)	THM UR20 GE * ¹⁾	1	1429910000
Thermotransfer version (Material: Polyester)	THM UR20 WS * ¹⁾	1	1429420000
Paper version for Laserprinter	ESO UR20 DIN A4 WS * ²⁾	10	1429430000
Replacement parts			
Electronics module	UR20-EM-1394390000-SP	1	1434230000
Basic module	UR20-BM-SP	5	1350930000
Plug-in connector unit	UR20-PK-1394390000-SP	5	1484030000
Note	* ¹⁾ 1 roll = 1000 label = 1 Qty. * ²⁾ 1 sheet = 60 label = 1 Qty.		

Type	Qty.	Order No.
UR20-4AI-UI-12	1	1394390000

Type	Qty.	Order No.
KDSM BHZ5.00	100	1483050000
UR20-EBK-ACC	5	1346610000
UR20-SM-ACC	20	1339920000
PM 2.7/2.6 MC SDR	192	1323700000
PM 2.7/2.6 MC NE WS	960	1323710000
DEK 5/8-11.5 MC SDR	100	1341610000
DEK 5/8-11.5 MC NE WS	500	1341630000
THM UR20 GE * ¹⁾	1	1429910000
THM UR20 WS * ¹⁾	1	1429420000
ESO UR20 DIN A4 WS * ²⁾	10	1429430000
UR20-EM-1394390000-SP	1	1434230000
UR20-BM-SP	5	1350930000
UR20-PK-1394390000-SP	5	1484030000



Product standard	IEC 61131-2
EMC	EN 61000
ATEX	EN 60079
UL	UL 508



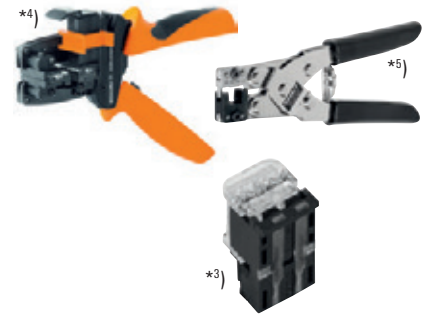
Let's connect.

Technical data
 Machinery
 Process
 Energy
 Transportation
 Device Manufacturers

8AI-I-16-HD

- 8 plugs with 4 connections per module
- 8 analogue inputs
- Parameterisable inputs (voltage, current)
- 16-bit resolution
- 2-wire, 3-wire and 3-wire+FE connection
- Accuracy 0.1 % FSR
- HD plug

UR20-8AI-I-16-HD



Note: Please order connector separately

Technical data

System data	
Interface	u-remote system bus
Transmission rate of system bus	48 Mbps
Galvanic isolation	500 V DC between current paths
Supply	
Voltage supply	24 V DC +20 % / - 15 % via the system bus
Current consumption (I _N in power segment of field bus coupler), typ.	8 mA
Current consumption (I _M in the respective power segment)	20 mA + sensor feed
Analogue inputs	
Number	8
Input	Current (0...20 mA, 4...20 mA)
Resolution	16 Bit
Accuracy	0.1 % FSR
Sensor supply	yes
Sensor connection	2-wire, 3-wire, 3-wire+FE
Conversion time	1 ms
Internal resistance I	approx. 45 Ω
Reverse polarity protection	yes
Module diagnosis	yes
Individual channel diagnosis	no
Short-circuit-proof	yes
General data	
Weight	73 g
Dimensions (H/W/D)	120 mm (with catch lever 128 mm) x 11.5 mm x 76 mm

System data		
Interface	u-remote system bus	
Transmission rate of system bus	48 Mbps	
Galvanic isolation	500 V DC between current paths	
Supply		
Voltage supply	24 V DC +20 % / - 15 % via the system bus	
Current consumption (I _N in power segment of field bus coupler), typ.	8 mA	
Current consumption (I _M in the respective power segment)	20 mA + sensor feed	
Analogue inputs		
Number	8	
Input	Current (0...20 mA, 4...20 mA)	
Resolution	16 Bit	
Accuracy	0.1 % FSR	
Sensor supply	yes	
Sensor connection	2-wire, 3-wire, 3-wire+FE	
Conversion time	1 ms	
Internal resistance I	approx. 45 Ω	
Reverse polarity protection	yes	
Module diagnosis	yes	
Individual channel diagnosis	no	
Short-circuit-proof	yes	
General data		
Weight	73 g	
Dimensions (H/W/D)	120 mm (with catch lever 128 mm) x 11.5 mm x 76 mm	

Ordering data

Module variants	
Analogue output module, 8 channels, 16 Bits, HD-plug	

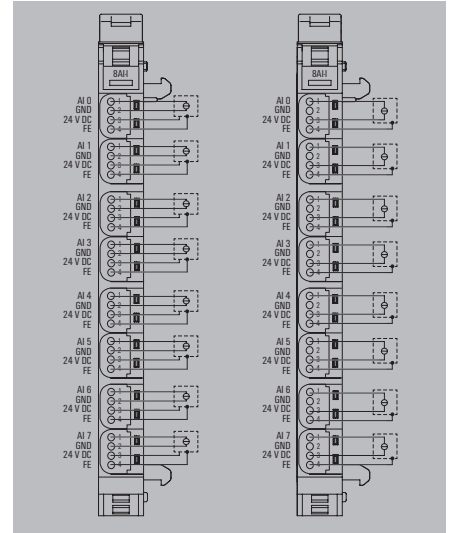
Type	Qty.	Order No.
UR20-8AI-I-16-HD	1	1315650000

Accessories

Type	Qty.	Order No.
Coding elements	100	1483050000
Termination kit	5	1346610000
Swivel marker	20	1339920000
*3) HD-Plug	8	1469340000
*4) Stripping tool	1	9202210000
*5) Pressing tool	1	1525820000
Module marker for custom printing	100	1341610000
Module marker for neutral	500	1341630000
Thermotransfer version (Material: Polyester)	1	1429910000
Thermotransfer version (Material: Polyester)	1	1429420000
Paper version for Laserprinter	10	1429430000
Replacement parts		
Electronics module	1	1347240000
Basic module	5	1350930000
Plug-in connector unit	5	1559740000
Note		

Type	Qty.	Order No.
KDSM BHZ5.00	100	1483050000
UR20-EBK-ACC	5	1346610000
UR20-SM-ACC	20	1339920000
UR20-PGO.35	8	1469340000
multi-stripax 6-16	1	9202210000
PWZ-UR20-HD	1	1525820000
DEK 5/8-11.5 MC SDR	100	1341610000
DEK 5/8-11.5 MC NE WS	500	1341630000
THM UR20 GE *1)	1	1429910000
THM UR20 WS *1)	1	1429420000
ESD UR20 DIN A4 WS *2)	10	1429430000
UR20-EM-1315650000-S	1	1347240000
UR20-BM-SP	5	1350930000
UR20-PK-1315650000-SP	5	1559740000

*1) 1 roll = 1000 label = 1 Qty.
*2) 1 sheet = 60 label = 1 Qty.



Product standard	IEC 61131-2
EMC	EN 61000
ATEX	EN 60079
UL	UL 508



Let's connect.

8AI-I-16-DIAG-HD

- 8 plugs with 4 connections per module
- Advanced diagnosis functions
- 8 analogue inputs
- Parameterisable inputs (voltage, current)
- 16-bit resolution
- 2-wire, 3-wire and 3-wire+FE connection
- Accuracy 0.1 % FSR

Technical data

System data	
Interface	u-remote system bus
Transmission rate of system bus	48 Mbps
Galvanic isolation	DC 500 V between current paths
Supply	
Voltage supply	24 V DC +20 % / - 15 % via the system bus
Current consumption (I _{IN} in power segment of field bus coupler), typ.	8 mA
Current consumption (I _{IN} in the respective power segment)	20 mA + sensor feed
Analogue inputs	
Number	8
Input	Current (0...20 mA, 4...20 mA)
Resolution	16 Bit
Accuracy	0.1 % FSR
Sensor supply	yes
Sensor connection	2-wire, 3-wire, 3-wire+FE
Conversion time	1 ms
Internal resistance I	approx. 45 Ω
Reverse polarity protection	yes
Module diagnosis	yes
Individual channel diagnosis	yes
Short-circuit-proof	yes
General data	
Weight	73 g
Dimensions (H/W/D)	120 mm (with catch lever 128 mm) x 11.5 mm x 76 mm

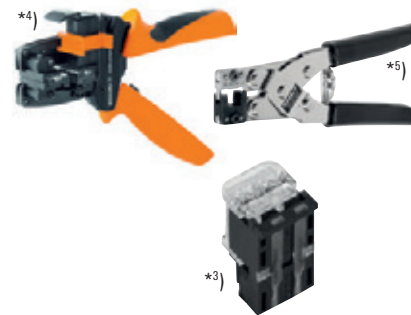
Ordering data

Module variants	
Analogue output module, 4 channels, 16 Bits, diagnosis functions, HD-plug	

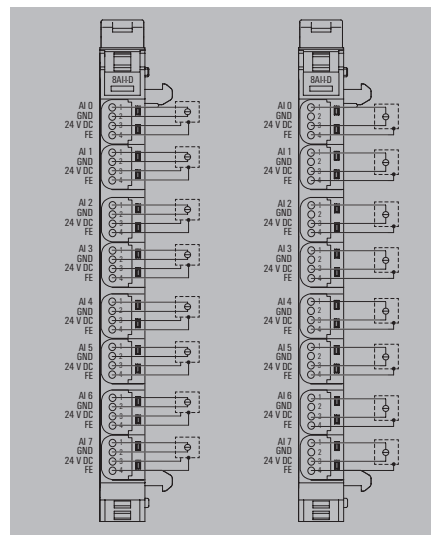
Accessories

Coding elements	KOSM BHZ5.00	100	1483050000
Termination kit	UR20-EBK-ACC	5	1346610000
Swivel marker	UR20-SM-ACC	20	1339920000
*3) HD-Plug	UR20-PG0.35	8	1469340000
*4) Stripping tool	multi-stripax 6-16	1	9202210000
*5) Pressing tool	PWZ-UR20-HD	1	1525820000
Module marker for custom printing	DEK 5/8-11.5 MC SDR	100	1341610000
Module marker for neutral	DEK 5/8-11.5 MC NE WS	500	1341630000
Thermotransfer version (Material: Polyester)	THM UR20 GE *1)	1	1429910000
Thermotransfer version (Material: Polyester)	THM UR20 WS *1)	1	1429420000
Paper version for Laserprinter	ESO UR20 DIN A4 WS *2)	10	1429430000
Replacement parts			
Electronics module	UR20-EM-1315720000-SP	1	1347320000
Basic module	UR20-BM-SP	5	1350930000
Plug-in connector unit	UR20-PK-1315720000-SP	5	1559750000
Note			

UR20-8AI-I-16-DIAG-HD



Note: Please order connector separately



Type	Qty.	Order No.
UR20-8AI-I-16-DIAG-HD	1	1315720000

Type	Qty.	Order No.
KOSM BHZ5.00	100	1483050000
UR20-EBK-ACC	5	1346610000
UR20-SM-ACC	20	1339920000
UR20-PG0.35	8	1469340000
multi-stripax 6-16	1	9202210000
PWZ-UR20-HD	1	1525820000
DEK 5/8-11.5 MC SDR	100	1341610000
DEK 5/8-11.5 MC NE WS	500	1341630000
THM UR20 GE *1)	1	1429910000
THM UR20 WS *1)	1	1429420000
ESO UR20 DIN A4 WS *2)	10	1429430000
UR20-EM-1315720000-SP	1	1347320000
UR20-BM-SP	5	1350930000
UR20-PK-1315720000-SP	5	1559750000

*1) 1 roll = 1000 label = 1 Qty.
*2) 1 sheet = 60 label = 1 Qty.

Product standard	IEC 61131-2
EMC	EN 61000
ATEX	EN 60079
UL	UL 508



Let's connect.

Technical data
 Machinery
 Process
 Energy
 Transportation
 Device Manufacturers

8AI-PLC-INT

- 8 analogue inputs
- Rapid cabling with flat ribbon cable
- 0/4 to 20 mA with 0.1 % accuracy with a 16-bit resolution
- Inputs can be parameterised (passive or active operating mode)

UR20-8AI-PLC-INT



Technical data

System data	
Interface	u-remote system bus
Transmission rate of system bus	48 Mbps
Galvanic isolation	DC 500 V between current paths
Supply	
Voltage supply	24 V DC +20 % / - 15 % via the system bus
Current consumption (I _N in power segment of field bus coupler), typ.	8 mA
Current consumption (I _N external)	20 mA
Analogue inputs	
Number	8
Input	Current input
Resolution	16 Bit
Accuracy	0.1 % FSR
Sensor supply	external
Sensor connection	PLC interface
Conversion time	1 ms
Internal resistance I	approx. 50 Ω
Reverse polarity protection	yes
Module diagnosis	yes
Individual channel diagnosis	no
Short-circuit-proof	yes
General data	
Weight	73 g
Dimensions (H/W/D)	120 mm (with catch lever 128 mm) x 11,5 mm x 76 mm

System data		
Interface	u-remote system bus	
Transmission rate of system bus	48 Mbps	
Galvanic isolation	DC 500 V between current paths	
Supply		
Voltage supply	24 V DC +20 % / - 15 % via the system bus	
Current consumption (I _N in power segment of field bus coupler), typ.	8 mA	
Current consumption (I _N external)	20 mA	
Analogue inputs		
Number	8	
Input	Current input	
Resolution	16 Bit	
Accuracy	0.1 % FSR	
Sensor supply	external	
Sensor connection	PLC interface	
Conversion time	1 ms	
Internal resistance I	approx. 50 Ω	
Reverse polarity protection	yes	
Module diagnosis	yes	
Individual channel diagnosis	no	
Short-circuit-proof	yes	
General data		
Weight	73 g	
Dimensions (H/W/D)	120 mm (with catch lever 128 mm) x 11,5 mm x 76 mm	

Ordering data

Module variants	
Analogue input module, 8 channels, PLC interface	

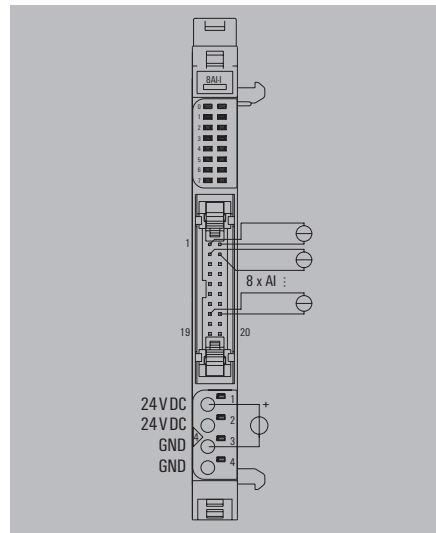
Type	Qty.	Order No.
UR20-8AI-PLC-INT	1	1315670000

Accessories

Accessories	
Coding elements	
Termination kit	
Swivel marker	
Connection marker for pusher custom printing	
Connection marker for pusher neutral	
Module marker for custom printing	
Module marker for neutral	
Thermotransfer version (Material: Polyester)	
Thermotransfer version (Material: Polyester)	
Paper version for Laserprinter	
Replacement parts	
Electronics module	
Basic module	
Plug-in connector unit	
PLC interface element	
Pre-assembled cable, 1m	
Note	

Type	Qty.	Order No.
KDSM BHZ5.00	100	1483050000
UR20-EBK-ACC	5	1346610000
UR20-SM-ACC	20	1339920000
PM 2.7/2.6 MC SDR	192	1323700000
PM 2.7/2.6 MC NE WS	960	1323710000
DEK 5/8-11.5 MC SDR	100	1341610000
DEK 5/8-11.5 MC NE WS	500	1341630000
THM UR20 GE * ¹⁾	1	1429910000
THM UR20 WS * ¹⁾	1	1429420000
ESO UR20 DIN A4 WS * ²⁾	10	1429430000
UR20-EM-1315670000-SP	1	1347250000
UR20-BM-SP	5	1350930000
UR20-PK-1315670000-SP	5	1483950000
RS 16IO 1W H S	1	9445700000
PAC-UNIV-HE20-LCH-1M	1	7789306010

*¹⁾ 1 roll = 1000 label = 1 Qty.
 *²⁾ 1 sheet = 60 label = 1 Qty.



Product standard	IEC 61131-2
EMC	EN 61000
ATEX	EN 60079
UL	UL 508
MSIP	MSIP-REM-WMG-1315670000



Let's connect.

4AI-TC-DIAG

- 4 analogue inputs
- Various TC sensors
- High accuracy of 0.2 % FSR
- 16-bit resolution
- Individual channel diagnosis
- Internal or external cold-junction compensation possible
- Automatic 50 and 60 Hz suppression

Technical data

System data	
Interface	u-remote system bus
Transmission rate of system bus	48 Mbps
Galvanic isolation	DC 500 V between current paths
Supply	
Voltage supply	24 V DC +20 % / -15 % via the system bus
Current consumption (I_{IN} in power segment of field bus coupler), typ.	8 mA
Current consumption (I_{IN} in the respective power segment)	20 mA
Analogue inputs	
Number	4
Sensor type	J, K, T, B, N, E, R, S, L, U, C, mV
Resolution	16 Bit
Accuracy	0,1 % FSR + 10 μ V
Sensor connection	2-wire
Cold-junction compensation	internal and external (int. accuracy \leq 3 K)
Temperature coefficient	50 ppm/K
Temperature range	-200...+2315 °C
Conversion time	36...240 ms, adjustable
Internal resistance	> 1 M Ω
Module diagnosis	yes
Individual channel diagnosis	yes
Reverse polarity protection	yes
General data	
Weight	86 g
Dimensions (H/W/D)	120 mm (with catch lever 128 mm) x 11,5 mm x 76 mm

Ordering data

Module variants	
Analogue input module, 4 channels, thermocouple	

Accessories

Coding elements	
Termination kit	
Swivel marker	
Connection marker for pusher custom printing	
Connection marker for pusher neutral	
Module marker for custom printing	
Module marker for neutral	
Thermotransfer version (Material: Polyester)	
Thermotransfer version (Material: Polyester)	
Paper version for Laserprinter	
Replacement parts	
Electronics module	
Basic module	
Plug-in connector unit	
Note	

UR20-4AI-TC-DIAG

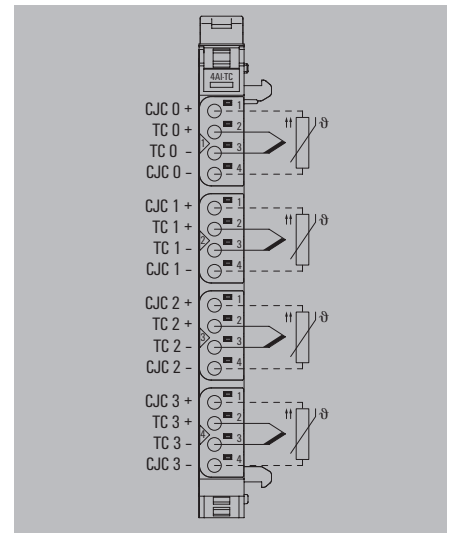


u-remote system bus	
48 Mbps	
DC 500 V between current paths	
24 V DC +20 % / -15 % via the system bus	
8 mA	
20 mA	
4	
J, K, T, B, N, E, R, S, L, U, C, mV	
16 Bit	
0,1 % FSR + 10 μ V	
2-wire	
internal and external (int. accuracy \leq 3 K)	
50 ppm/K	
-200...+2315 °C	
36...240 ms, adjustable	
> 1 M Ω	
yes	
yes	
yes	
86 g	
120 mm (with catch lever 128 mm) x 11,5 mm x 76 mm	

Type	Qty.	Order No.
UR20-4AI-TC-DIAG	1	1315710000

Type	Qty.	Order No.
KOSM BHZ5.00	100	1483050000
UR20-EBK-ACC	5	1346610000
UR20-SM-ACC	20	1339920000
PM 2.7/2.6 MC SDR	192	1323700000
PM 2.7/2.6 MC NE WS	960	1323710000
DEK 5/8-11.5 MC SDR	100	1341610000
DEK 5/8-11.5 MC NE WS	500	1341630000
THM UR20 GE ^{*1)}	1	1429910000
THM UR20 WS ^{*1)}	1	1429420000
ESD UR20 DIN A4 WS ^{*2)}	10	1429430000
UR20-EM-1315710000-SP	1	1435740000
UR20-BM-SP	5	1350930000
UR20-PK-1315710000-SP	5	1484050000

^{*1)} 1 roll = 1000 label = 1 Qty.
^{*2)} 1 sheet = 60 label = 1 Qty.



Product standard	IEC 61131-2
EMC	EN 61000
ATEX	EN 60079
UL	UL 508
MSIP	MSIP-REM-WMG-1315710000



Let's connect.

4AI-RTD-DIAG

- 16-bit resolution
- Individual channel diagnosis
- Automatic 50 and 60 Hz suppression
- For 2-, 3- and 4-wire RTDs
- High accuracy
- For virtually all common sensors
- Temperature measurement via resistor

UR20-4AI-RTD-DIAG



Technical data

System data	
Interface	u-remote system bus
Transmission rate of system bus	48 Mbps
Galvanic isolation	DC 500 V between current paths
Supply	
Voltage supply	24 V DC +20 % / -15 % via the system bus
Current consumption (I _N in power segment of field bus coupler), typ.	8 mA
Current consumption (I _N in the respective power segment)	20 mA
Analogue inputs	
Number	4
Sensor type	Pt100, Pt200, Pt500, Pt1000, Ni100, Ni120, Ni200, Ni500, Ni1000, Cu10, resistors with 40 Ω, 80 Ω, 150 Ω, 300 Ω, 500 Ω, 1 kΩ, 2 kΩ, 4 kΩ
Resolution	16 Bit
Sensor current	depending on the input type 0,75 mA (Pt100, Ni100, Ni120, Cu10, 40 Ω, 80 Ω, 150 Ω, 300 Ω) or 0,25 mA (Pt200, Pt500, Pt1000, Ni200, Ni500, Ni1000, 500 Ω, 1 kΩ, 2 kΩ, 4 kΩ)
Accuracy	0.2 % FSR, 0.3 % FSR for Ni sensors, 0.6 % FSR for Cu10
Sensor connection	2-wire, 3-wire, 4-wire
Temperature coefficient	50 ppm/K
Temperature range	-200...+850 °C
Conversion time	36...240 ms adjustable
Internal resistance	> 1 MΩ
Reverse polarity protection	yes
Module diagnosis	yes
Individual channel diagnosis	yes
General data	
Weight	91 g
Dimensions (H/W/D)	120 mm (with catch lever 128 mm) x 11,5 mm x 76 mm

System data		
Interface	u-remote system bus	
Transmission rate of system bus	48 Mbps	
Galvanic isolation	DC 500 V between current paths	
Supply		
Voltage supply	24 V DC +20 % / -15 % via the system bus	
Current consumption (I _N in power segment of field bus coupler), typ.	8 mA	
Current consumption (I _N in the respective power segment)	20 mA	
Analogue inputs		
Number	4	
Sensor type	Pt100, Pt200, Pt500, Pt1000, Ni100, Ni120, Ni200, Ni500, Ni1000, Cu10, resistors with 40 Ω, 80 Ω, 150 Ω, 300 Ω, 500 Ω, 1 kΩ, 2 kΩ, 4 kΩ	
Resolution	16 Bit	
Sensor current	depending on the input type 0,75 mA (Pt100, Ni100, Ni120, Cu10, 40 Ω, 80 Ω, 150 Ω, 300 Ω) or 0,25 mA (Pt200, Pt500, Pt1000, Ni200, Ni500, Ni1000, 500 Ω, 1 kΩ, 2 kΩ, 4 kΩ)	
Accuracy	0.2 % FSR, 0.3 % FSR for Ni sensors, 0.6 % FSR for Cu10	
Sensor connection	2-wire, 3-wire, 4-wire	
Temperature coefficient	50 ppm/K	
Temperature range	-200...+850 °C	
Conversion time	36...240 ms adjustable	
Internal resistance	> 1 MΩ	
Reverse polarity protection	yes	
Module diagnosis	yes	
Individual channel diagnosis	yes	
General data		
Weight	91 g	
Dimensions (H/W/D)	120 mm (with catch lever 128 mm) x 11,5 mm x 76 mm	

Ordering data

Module variants	
Analogue input module, 4 channels, RTD	

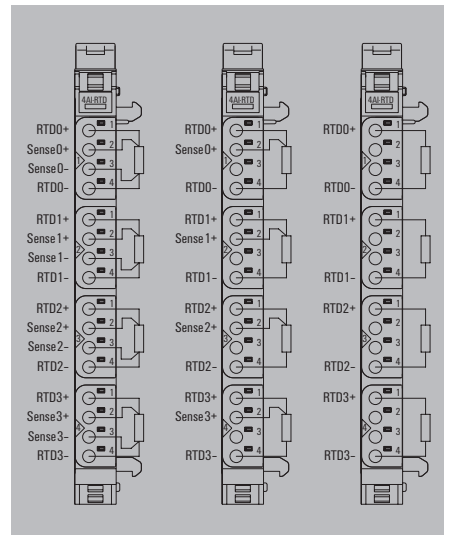
Type	Qty.	Order No.
UR20-4AI-RTD-DIAG	1	1315700000

Accessories

Accessories	
Coding elements	
Termination kit	
Swivel marker	
Connection marker for pusher custom printing	
Connection marker for pusher neutral	
Module marker for custom printing	
Module marker for neutral	
Thermotransfer version (Material: Polyester)	
Thermotransfer version (Material: Polyester)	
Paper version for Laserprinter	
Replacement parts	
Electronics module	
Basic module	
Plug-in connector unit	
Note	

Type	Qty.	Order No.
KOSM BHZ5 00	100	1483050000
UR20-EBK-ACC	5	1346610000
UR20-SM-ACC	20	1339920000
PM 2.7/2.6 MC SDR	192	1323700000
PM 2.7/2.6 MC NE WS	960	1323710000
DEK 5/8-11.5 MC SDR	100	1341610000
DEK 5/8-11.5 MC NE WS	500	1341630000
THM UR20 GE * ¹⁾	1	1429910000
THM UR20 WS * ¹⁾	1	1429420000
ESD UR20 DIN A4 WS * ²⁾	10	1429430000
UR20-EM-1315700000-SP	1	1347290000
UR20-BM-SP	5	1350930000
UR20-PK-1315700000-SP	5	1484040000

*¹⁾ 1 roll = 1000 label = 1 Qty.
*²⁾ 1 sheet = 60 label = 1 Qty.



Product standard	IEC 61131-2
EMC	EN 61000
ATEX	EN 60079
UL	UL 508
MSIP	MSIP-REM-WMG-1315700000



Let's connect.

4AO-UI-16

- 4 analogue outputs
- Outputs can be parameterised by channel (voltage, current)
- 16-bit resolution
- 2- and 4-wire connection
- Accuracy typ. 0.05 % FSR
- Replacement values can be set per channel
- Non reactive
- Short-circuit-proof

Technical data

System data	
Interface	u-remote system bus
Transmission rate of system bus	48 Mbps
Galvanic isolation	DC 500 V between current paths
Supply	
Voltage supply	24 V DC +20 % / - 15 % via the system bus
Current consumption (I _{in} in power segment of field bus coupler), typ.	8 mA
Current consumption (I _{out} in the respective power segment)	85 mA
Analogue outputs	
Number	4
Output	1. Voltage (0...5 V, 0...10 V, 1...5 V, 2...10 V, ±5 V) 2. Current (0...20 mA or 4...20 mA)
Response time	1 ms for 4 channels
Resolution	16 Bit
Accuracy	±0.1 % FSR max., 0.05 % FSR typ.
Load resistance, voltage output	> 1 kΩ (at > 50 °C ambient temperature max. sum of sensor current = 25 mA)
Load resistance, current output	< 600 Ω
Actuator connection	2-wire (current and voltage; automatic detection), 4-wire (voltage)
Temperature coefficient	20 ppm Voltage / 31 ppm current measurement / °K
Max. error between T min. and T max.	220 ppm FSR
Monotonicity	yes
Crosstalk between the channels	±0,001 % FSR
Repeat accuracy	< 1 mV effectively
Output waviness	max. 0.001 %
Module diagnosis	yes
Replacement values	yes
General data	
Weight	83 g
Dimensions (H/W/D)	120 mm (with catch lever 128 mm) x 11,5 mm x 76 mm

Ordering data

Module variants	
Analogue output module, 4 channels, 16 Bit	

Accessories

Coding elements	
Termination kit	
Swivel marker	
Connection marker for pusher custom printing	
Connection marker for pusher neutral	
Module marker for custom printing	
Module marker for neutral	
Thermotransfer version (Material: Polyester)	
Thermotransfer version (Material: Polyester)	
Paper version for Laserprinter	
Replacement parts	
Electronics module	
Basic module	
Plug-in connector unit	
Note	

UR20-4AO-UI-16

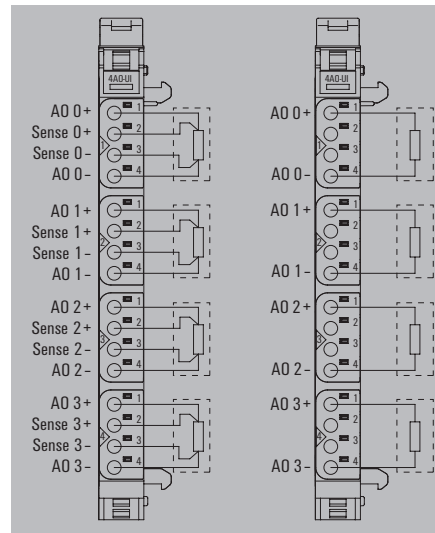


u-remote system bus
48 Mbps
DC 500 V between current paths
24 V DC +20 % / - 15 % via the system bus
8 mA
85 mA
4
1. Voltage (0...5 V, 0...10 V, 1...5 V, 2...10 V, ±5 V) 2. Current (0...20 mA or 4...20 mA)
1 ms for 4 channels
16 Bit
±0.1 % FSR max., 0.05 % FSR typ.
> 1 kΩ (at > 50 °C ambient temperature max. sum of sensor current = 25 mA)
< 600 Ω
2-wire (current and voltage; automatic detection), 4-wire (voltage)
20 ppm Voltage / 31 ppm current measurement / °K
220 ppm FSR
yes
±0,001 % FSR
< 1 mV effectively
max. 0.001 %
yes
yes
83 g
120 mm (with catch lever 128 mm) x 11,5 mm x 76 mm

Type	Qty.	Order No.
UR20-4AO-UI-16	1	1315680000

Type	Qty.	Order No.
KOSM BHZ5 00	100	1483050000
UR20-EBK-ACC	5	1346610000
UR20-SM-ACC	20	1339920000
PM 2.7/2.6 MC SDR	192	1323700000
PM 2.7/2.6 MC NE WS	960	1323710000
DEK 5/8-11.5 MC SDR	100	1341610000
DEK 5/8-11.5 MC NE WS	500	1341630000
THM UR20 GE * ¹⁾	1	1429910000
THM UR20 WS * ¹⁾	1	1429420000
ESD UR20 DIN A4 WS * ²⁾	10	1429430000
UR20-EM-1315680000-SP	1	1347270000
UR20-BM-SP	5	1350930000
UR20-PK-1315680000-SP	5	1484070000

*¹⁾ 1 roll = 1000 label = 1 Qty.
*²⁾ 1 sheet = 60 label = 1 Qty.



Product standard	IEC 61131-2
EMC	EN 61000
ATEX	EN 60079
UL	UL 508
MSIP	MSIP-REM-WMG-1315680000



Let's connect.

Technical data
 Machinery
 Process
 Energy
 Transportation
 Device Manufacturers

4AO-UI-16-DIAG

- Advanced diagnosis functions
- 4 analogue outputs
- Outputs can be parameterised by channel (voltage, current)
- 16-bit resolution
- 2- and 4-wire connection
- Accuracy typ. 0.05 % FSR
- Replacement values can be set per channel
- Non reactive
- Short-circuit-proof

UR20-4AO-UI-16-DIAG



Technical data

System data	
Interface	u-remote system bus
Transmission rate of system bus	48 Mbps
Galvanic isolation	DC 500 V between current paths
Supply	
Voltage supply	24 V DC +20 % / - 15 % via the system bus
Current consumption (I _{IN} in power segment of field bus coupler), typ.	8 mA
Current consumption (I _{OUT} in the respective power segment)	85 mA
Analogue outputs	
Number	4
Output	1. Voltage (0...5 V, 0...10 V, 1...5 V, 2...10 V, ±5 V) 2. Current (0...20 mA or 4...20 mA)
Response time	1 ms for 4 channels
Resolution	16 Bit
Accuracy	±0.1 % FSR max., 0.05 % FSR typ.
Load resistance, voltage output	> 1 kΩ (at > 50 °C ambient temperature max. sum of sensor current = 25 mA)
Load resistance, current output	< 600 Ω
Actuator connection	2-wire (current and voltage; automatic detection), 4-wire (voltage)
Temperature coefficient	20 ppm Voltage / 31 ppm current measurement / °K
Max. error between T min. and T max.	220 ppm FSR
Monotonicity	yes
Crosstalk between the channels	±0.001 % FSR
Repeat accuracy	< 1 mV effectively
Output waviness	max. 0.001 %
Module diagnosis	yes
Individual channel diagnosis	yes
Replacement values	yes
General data	
Weight	98 g
Dimensions (H/W/D)	120 mm (with catch lever 128 mm) x 11,5 mm x 76 mm

Type	Qty.	Order No.
UR20-4AO-UI-16-DIAG	1	1315730000

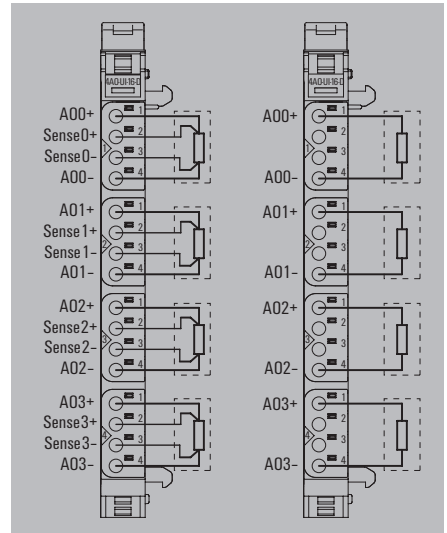
Ordering data

Module variants	
Analogue output module, 4 channels, 16 Bits, diagnosis functions	

Accessories

Type	Qty.	Order No.
KDSM BHZ5.00	100	1483050000
UR20-EBK-ACC	5	1346610000
UR20-SM-ACC	20	1339920000
PM 2.7/2.6 MC SDR	192	1323700000
PM 2.7/2.6 MC NE WS	960	1323710000
DEK 5/8-11.5 MC SDR	100	1341610000
DEK 5/8-11.5 MC NE WS	500	1341630000
THM UR20 GE * ¹⁾	1	1429910000
THM UR20 WS * ¹⁾	1	1429420000
ESO UR20 DIN A4 WS * ²⁾	10	1429430000
UR20-EM-1315730000-SP	1	1347330000
UR20-BM-SP	5	1350930000
UR20-PK-1315730000-SP	5	1518880000

Product standard	IEC 61131-2
EMC	EN 61000
ATEX	EN 60079
UL	UL 508
MSIP	MSIP-REM-WMG-1315730000



Product standard	IEC 61131-2
EMC	EN 61000
ATEX	EN 60079
UL	UL 508
MSIP	MSIP-REM-WMG-1315730000



Let's connect.

4AO-UI-16-HD

- 4 analogue outputs
- 4 plugs with 4 connections per module
- Outputs can be parameterised by channel (voltage, current)
- 16-bit resolution
- 2- and 4-wire connection
- Accuracy typ. 0.05 % FSR
- Replacement values can be set per channel
- Non reactive
- Short-circuit-proof

Technical data

System data	
Interface	u-remote system bus
Transmission rate of system bus	48 Mbps
Galvanic isolation	DC 500 V between current paths
Supply	
Voltage supply	24 V DC +20 % / - 15 % via the system bus
Current consumption (I _{IN} in power segment of field bus coupler), typ.	8 mA
Current consumption (I _{OUT} in the respective power segment)	85 mA
Analogue outputs	
Number	4
Output	1. Voltage (0...5 V, 0...10 V, 1...5 V, 2...10 V, ±5 V) 2. Current (0...20 mA or 4...20 mA)
Response time	1 ms for 4 channels
Resolution	16 Bit
Accuracy	±0,1 % FSR max., 0,05 % FSR typ.
Load resistance, voltage output	> 1 kΩ (at > 50 °C ambient temperature max. sum of sensor current = 25 mA)
Load resistance, current output	< 600 Ω
Actuator connection	2-wire (current and voltage; automatic detection), 4-wire (voltage)
Temperature coefficient	20 ppm Voltage / 31 ppm current measurement / °K
Max. error between T min. and T max.	220 ppm FSR
Monotonicity	yes
Crosstalk between the channels	±0.001 % FSR
Repeat accuracy	< 1 mV effectively
Output waviness	max. 0.001 %
Module diagnosis	yes
Individual channel diagnosis	no
Replacement values	yes
General data	
Weight	98 g
Dimensions (H/W/D)	120 mm (with catch lever 128 mm) x 11.5 mm x 76 mm

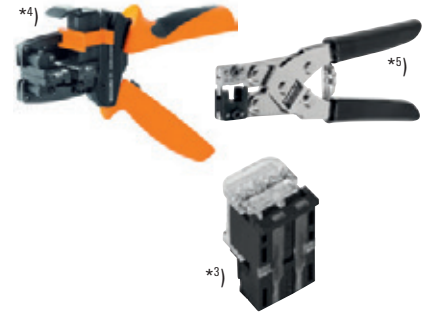
Ordering data

Module variants	
Analogue output module, 4 channels, 16 Bits, HD-plug	

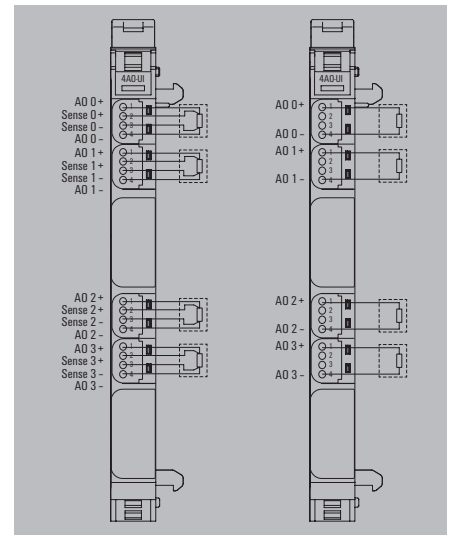
Accessories

Coding elements	
Termination kit	
Swivel marker	
^{*)} HD-Plug	
^{*)} Stripping tool	
^{*)} Pressing tool	
Module marker for custom printing	
Module marker for neutral	
Thermotransfer version (Material: Polyester)	
Thermotransfer version (Material: Polyester)	
Paper version for Laserprinter	
Replacement parts	
Electronics module	
Basic module	
Plug-in connector unit	
Note	

UR20-4AO-UI-16-HD



Note: Please order connector separately



Type	Qty.	Order No.
UR20-4AO-UI-16-HD	1	1510690000

Type	Qty.	Order No.
KOSM BHZ5-00	100	1483050000
UR20-EBK-ACC	5	1346610000
UR20-SM-ACC	20	1339920000
UR20-PGO.35	8	1469340000
multi-stripax 6-16	1	9202210000
PWZ-UR20-HD	1	1525820000
DEK 5/8-11.5 MC SDR	100	1341610000
DEK 5/8-11.5 MC NE WS	500	1341630000
THM UR20 GE ^{*)}	1	1429910000
THM UR20 WS ^{*)}	1	1429420000
ESO UR20 DIN A4 WS ^{*)}	10	1429430000
UR20-EM-1510690000-SP	1	1515470000
UR20-BM-SP	5	1350930000
UR20-PK-1510690000-SP	5	1531830000

^{*)} 1 roll = 1000 label = 1 Qty.
^{*)} 1 sheet = 60 label = 1 Qty.

Product standard	IEC 61131-2
EMC	EN 61000
ATEX	EN 60079
UL	UL 508

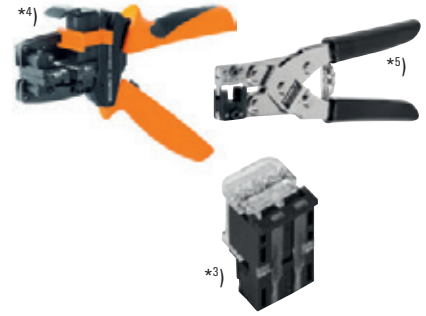


Let's connect.

4AO-UI-16-DIAG-HD

- 4 analogue outputs
- Advanced diagnosis functions
- Outputs can be parameterised by channel (voltage, current)
- 16-bit resolution
- 2- and 4-wire connection
- Accuracy typ. 0.05 % FSR
- Replacement values can be set per channel
- Non reactive
- Short-circuit-proof

UR20-4AO-UI-16-DIAG-HD



Note: Please order connector separately

Technical data

System data	
Interface	u-remote system bus
Transmission rate of system bus	48 Mbps
Galvanic isolation	DC 500 V between current paths
Supply	
Voltage supply	24 V DC +20 % / - 15 % via the system bus
Current consumption (I _{IN} in power segment of field bus coupler), typ.	8 mA
Current consumption (I _{OUT} in the respective power segment)	85 mA
Analogue outputs	
Number	4
Output	1. Voltage (0...5 V, 0...10 V, 1...5 V, 2...10 V, ±5 V) 2. Current (0...20 mA or 4...20 mA)
Response time	1 ms for 4 channels
Resolution	16 Bit
Accuracy	±0.1 % FSR max., 0.05 % FSR typ.
Load resistance, voltage output	> 1 kΩ (at > 50 °C ambient temperature max. sum of sensor current = 25 mA)
Load resistance, current output	< 600 Ω
Actuator connection	2-wire (current and voltage; automatic detection), 4-wire (voltage)
Temperature coefficient	20 ppm Voltage / 31 ppm current measurement / °K
Max. error between T min. and T max.	220 ppm FSR
Monotonicity	yes
Crosstalk between the channels	±0.001 % FSR max.
Repeat accuracy	< 1 mV effectively
Output waviness	max. 0.001 %
Module diagnosis	yes
Individual channel diagnosis	yes
Replacement values	yes
General data	
Weight	98 g
Dimensions (H/W/D)	120 mm (with catch lever 128 mm) x 11.5 mm x 76 mm

Ordering data

Module variants	
Analogue output module, 4 channels, 16 Bits, diagnosis functions, HD-plug	

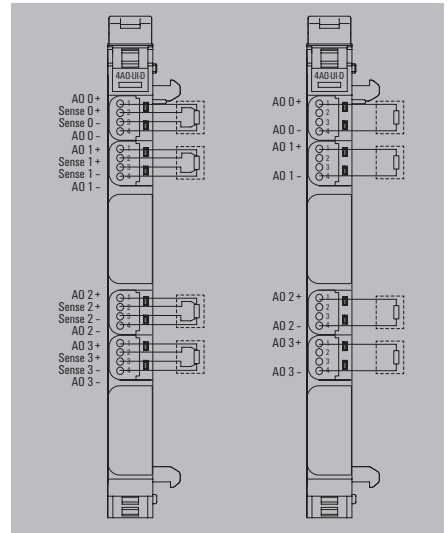
Type	Qty.	Order No.
UR20-4AO-UI-16-DIAG-HD	1	1506930000

Accessories

Coding elements	
Termination kit	
Swivel marker	
*3) HD-Plug	
*4) Stripping tool	
*5) Pressing tool	
Module marker for custom printing	
Module marker for neutral	
Thermotransfer version (Material: Polyester)	
Thermotransfer version (Material: Polyester)	
Paper version for Laserprinter	
Replacement parts	
Electronics module	
Basic module	
Plug-in connector unit	
Note	

Type	Qty.	Order No.
KOSM BHZ5 00	100	1483050000
UR20-EBK-ACC	5	1346610000
UR20-SM-ACC	20	1339920000
UR20-PGO.35	8	1469340000
multi-stripax 6-16	1	9202210000
PWZ-UR20-HD	1	1525820000
DEK 5/8-11.5 MC SDR	100	1341610000
DEK 5/8-11.5 MC NE WS	500	1341630000
THM UR20 GE *1)	1	1429910000
THM UR20 WS *1)	1	1429420000
ESO UR20 DIN A4 WS *2)	10	1429430000
UR20-EM-1506930000-S	1	1515480000
UR20-BM-SP	5	1350930000
UR20-PK-1506930000-SP	5	1531810000

*1) 1 roll = 1000 label = 1 Qty.
*2) 1 sheet = 60 label = 1 Qty.



Product standard	IEC 61131-2
EMC	EN 61000
ATEX	EN 60079
UL	UL 508



Let's connect.

1CNT-100-1D0

- Latch-, Gate- and Reset input
- Counter data width 32-Bit
- Maximum input frequency 100 kHz
- Operation mode impulse, direction, 1-, 2- or 4-times
- Sensor feed
- Input filter adjustable up to 1 ms
- One digital output

Technical data

System data	
Interface	u-remote system bus
Transmission rate of system bus	48 Mbps
Galvanic isolation	DC 500 V between current paths
Supply	
Voltage supply	24 V DC +20 % / -15 % via the system bus
Current consumption (I_{IN} in power segment of field bus coupler), typ.	8 mA
Current consumption (I_{IN} in the respective power segment)	35 mA
Digital Inputs	
Number of counter inputs	1
Type	incremental encoder
Input filter	adjustable up to 1 ms
Input voltage, low	< 5 V
Input voltage, high	> 11 V
Sensor feed	yes
Sensor connection	2- and 3-wire
Reverse polarity protection	yes
Module diagnosis	yes
Single channel diagnosis	yes
Input current per channel, max.	3.5 mA
Counter data width	32 Bit
Input frequency, max.	100 kHz
Counter frequency, max.	400 kHz
Latch-, Gate-, Reset-input	yes
Operation mode	Impulse / direction / 1-, 2-, 4-times
General data	
Weight	87 g
Dimensions (H/W/D)	120 mm (with catch lever 128 mm) x 11.5 mm x 76 mm

Ordering data

Module variants	
Digital counter module, 1 channel, 100 kHz	

Accessories

Coding elements	
Termination kit	
Swivel marker	
Connection marker for pusher custom printing	
Connection marker for pusher neutral	
Module marker for custom printing	
Module marker for neutral	
Thermotransfer version (Material: Polyester)	
Thermotransfer version (Material: Polyester)	
Paper version for Laserprinter	
Replacement parts	
Electronics module	
Basic module	
Plug-in connector unit	
Note	

UR20-1CNT-100-1D0

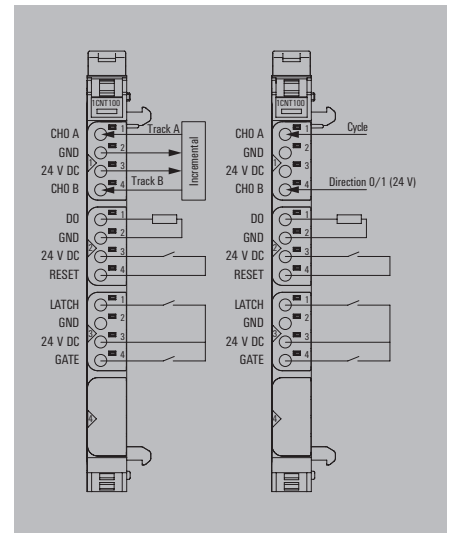


u-remote system bus	
48 Mbps	
DC 500 V between current paths	
24 V DC +20 % / -15 % via the system bus	
8 mA	
35 mA	
1	
incremental encoder	
adjustable up to 1 ms	
< 5 V	
> 11 V	
yes	
2- and 3-wire	
yes	
yes	
yes	
3.5 mA	
32 Bit	
100 kHz	
400 kHz	
yes	
Impulse / direction / 1-, 2-, 4-times	
87 g	
120 mm (with catch lever 128 mm) x 11.5 mm x 76 mm	

Type	Qty.	Order No.
UR20-1CNT-100-1D0	1	1315570000

Type	Qty.	Order No.
KDSM BHZ5.00	100	1483050000
UR20-EBK-ACC	5	1346610000
UR20-SM-ACC	20	1339920000
PM 2.7/2.6 MC SDR	192	1323700000
PM 2.7/2.6 MC NE WS	960	1323710000
DEK 5/8-11.5 MC SDR	100	1341610000
DEK 5/8-11.5 MC NE WS	500	1341630000
THM UR20 GE * ¹⁾	1	1429910000
THM UR20 WS * ¹⁾	1	1429420000
ESO UR20 DIN A4 WS * ²⁾	10	1429430000
UR20-EM-1315570000-SP	1	1347140000
UR20-BM-SP	5	1350930000
UR20-PK-1315570000-SP	5	1346520000

*¹⁾ 1 roll = 1000 label = 1 Qty.
*²⁾ 1 sheet = 60 label = 1 Qty.



Product standard	IEC 61131-2
EMC	EN 61000
ATEX	EN 60079
UL	UL 508



Let's connect.

2CNT-100

- Counter data width 32 Bit
- Maximum input frequency 100 kHz
- Operation mode impulse, direction, 1-, 2- or 4-times
- Sensor feed
- Input filter adjustable up to 1 ms

UR20-2CNT-100



Technical data

System data	
Interface	u-remote system bus
Transmission rate of system bus	48 Mbps
Galvanic isolation	DC 500 V between current paths
Supply	
Voltage supply	24 V DC +20 % / - 15 % via the system bus
Current consumption (I _N in power segment of field bus coupler), typ.	8 mA
Current consumption (I _N in the respective power segment)	35 mA
Digital Inputs	
Number of counter inputs	2
Type	incremental encoder
Input filter	adjustable up to 1 ms
Input voltage, low	< 5 V
Input voltage, high	> 11 V
Sensor feed	yes
Sensor connection	2- and 3-wire
Reverse polarity protection	yes
Module diagnosis	yes
Single channel diagnosis	yes
Input current per channel, max.	3.5 mA
Counter data width	32 Bit
Input frequency, max.	100 kHz
Counter frequency, max.	400 kHz
Operation mode	Impulse / direction / 1-, 2-, 4-times
General data	
Weight	87 g
Dimensions (H/W/D)	120 mm (with catch lever 128 mm) x 11.5 mm x 76 mm

System data		
Interface	u-remote system bus	
Transmission rate of system bus	48 Mbps	
Galvanic isolation	DC 500 V between current paths	
Supply		
Voltage supply	24 V DC +20 % / - 15 % via the system bus	
Current consumption (I _N in power segment of field bus coupler), typ.	8 mA	
Current consumption (I _N in the respective power segment)	35 mA	
Digital Inputs		
Number of counter inputs	2	
Type	incremental encoder	
Input filter	adjustable up to 1 ms	
Input voltage, low	< 5 V	
Input voltage, high	> 11 V	
Sensor feed	yes	
Sensor connection	2- and 3-wire	
Reverse polarity protection	yes	
Module diagnosis	yes	
Single channel diagnosis	yes	
Input current per channel, max.	3.5 mA	
Counter data width	32 Bit	
Input frequency, max.	100 kHz	
Counter frequency, max.	400 kHz	
Operation mode	Impulse / direction / 1-, 2-, 4-times	
General data		
Weight	87 g	
Dimensions (H/W/D)	120 mm (with catch lever 128 mm) x 11.5 mm x 76 mm	

Ordering data

Module variants	
Digital counter module, 2 channel, 100 kHz	

Type	Qty.	Order No.
UR20-2CNT-100	1	1315590000

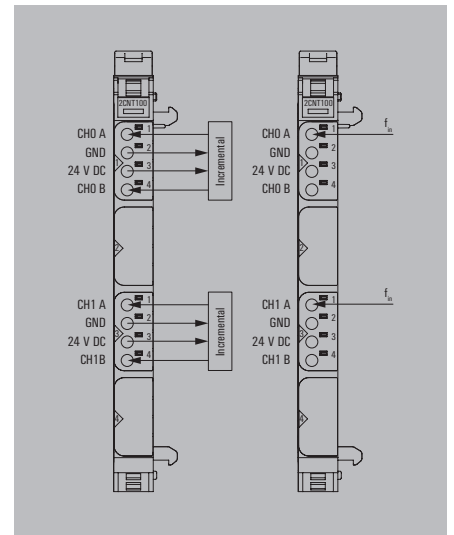
Accessories

Type	Qty.	Order No.
KOSM BHZ5.00	100	1483050000
UR20-EBK-ACC	5	1346610000
UR20-SM-ACC	20	1339920000
PM 2.7/2.6 MC SDR	192	1323700000
PM 2.7/2.6 MC NE WS	960	1323710000
DEK 5/8-11.5 MC SDR	100	1341610000
DEK 5/8-11.5 MC NE WS	500	1341630000
THM UR20 GE * ¹⁾	1	1429910000
THM UR20 WS * ¹⁾	1	1429420000
ESD UR20 DIN A4 WS * ²⁾	10	1429430000

Type	Qty.	Order No.
UR20-EM-1315590000-SP	1	1347150000
UR20-BM-SP	5	1350930000
UR20-PK-1315590000-SP	5	1346540000

Replacement parts	
Electronics module	UR20-EM-1315590000-SP
Basic module	UR20-BM-SP
Plug-in connector unit	UR20-PK-1315590000-SP
Note	

*¹⁾ 1 roll = 1000 label = 1 Qty.
 *²⁾ 1 sheet = 60 label = 1 Qty.



Product standard	
EMC	IEC 61131-2
ATEX	EN 61000
UL	EN 60079
	UL 508



Let's connect.

1CNT-500

- Counter data width 32-Bit
- Maximum input frequency 500 kHz
- Operation mode impulse, direction, 1-, 2- or 4-times
- Sensor feed
- Input filter adjustable up to 1 ms
- One digital output

Technical data

System data	
Interface	u-remote system bus
Transmission rate of system bus	48 Mbps
Galvanic isolation	DC 500 V between current paths
Supply	
Voltage supply	24 V DC +20 % / -15 % via the system bus
Current consumption from system current path I _{sys}	8 mA
Current consumption from input current path I _{IN}	20 mA
Digitale Eingänge	
Number of counter inputs	1
Type	Incremental encoder
Input filter	adjustable up to 1 ms
Sensor supply	max. 0.5 A at 24 V max. 0.4 A at 5 V
Short-circuit-proof	yes
Module diagnosis	yes
Individual channel diagnosis	no
Counter data width	32 Bit
Input frequency, max.	500 kHz
Operation mode	Impuls / direction / 1-, 2-, 4-times
General data	
Weight	72 g
Dimensions (H/W/D)	120 mm (with catch lever 128 mm) x 11.5 mm x 76 mm

Ordering data

Module variants	
Digital counter module, 1 channel, 500 kHz	

Accessories

Coding elements	
Termination kit	
Swivel marker	
Connection marker for pusher custom printing	
Connection marker for pusher neutral	
Module marker for custom printing	
Module marker for neutral	
Thermotransfer version (Material: Polyester)	
Thermotransfer version (Material: Polyester)	
Paper version for Laserprinter	
Replacement parts	
Electronics module	
Basic module	
Plug-in connector unit	
Note	

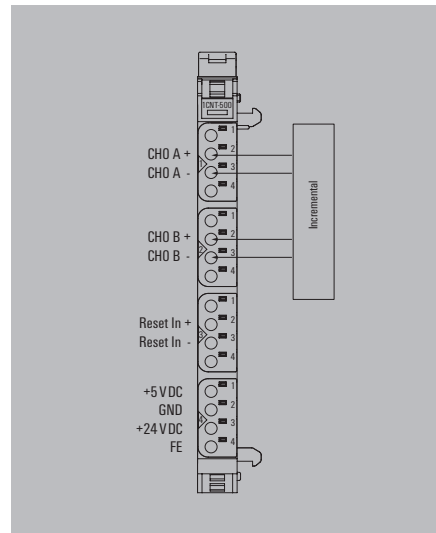
UR20-1CNT-500



System data		
Interface	u-remote system bus	
Transmission rate of system bus	48 Mbps	
Galvanic isolation	DC 500 V between current paths	
Supply		
Voltage supply	24 V DC +20 % / -15 % via the system bus	
Current consumption from system current path I _{sys}	8 mA	
Current consumption from input current path I _{IN}	20 mA	
Digitale Eingänge		
Number of counter inputs	1	
Type	Incremental encoder	
Input filter	adjustable up to 1 ms	
Sensor supply	max. 0.5 A at 24 V max. 0.4 A at 5 V	
Short-circuit-proof	yes	
Module diagnosis	yes	
Individual channel diagnosis	no	
Counter data width	32 Bit	
Input frequency, max.	500 kHz	
Operation mode	Impuls / direction / 1-, 2-, 4-times	
General data		
Weight	72 g	
Dimensions (H/W/D)	120 mm (with catch lever 128 mm) x 11.5 mm x 76 mm	

Type	Qty.	Order No.
UR20-1CNT-500	1	1315580000

Type	Qty.	Order No.
KOSM BHZ5.00	100	1483050000
UR20-EBK-ACC	5	1346610000
UR20-SM-ACC	20	1339920000
PM 2.7/2.6 MC SDR	192	1323700000
PM 2.7/2.6 MC NE WS	960	1323710000
DEK 5/8-11.5 MC SDR	100	1341610000
DEK 5/8-11.5 MC NE WS	500	1341630000
THM UR20 GE * ¹⁾	1	1429910000
THM UR20 WS * ¹⁾	1	1429420000
ESD UR20 DIN A4 WS * ²⁾	10	1429430000
Replacement parts		
UR20-EM-1315580000-SP	1	1347170000
UR20-BM-SP	5	1350930000
UR20-PK-1315580000-SP	5	1346530000
* ¹⁾ 1 roll = 1000 label = 1 Qty. * ²⁾ 1 sheet = 60 label = 1 Qty.		



Product standard	
Product standard	IEC 61131-2
EMC	EN 61000
ATEX (in preparation)	EN 60079
UL (in preparation)	UL 508



Let's connect.

Technical data
 Machinery
 Process
 Energy
 Transportation
 Device Manufacturers

2FCNT-100

- Counter data width 32 Bit
- Maximum input frequency 100 kHz
- Operation mode impulse
- Sensor feed
- Input filter adjustable up to 1 ms

UR20-2FCNT-100



Technical data

System data	
Interface	u-remote system bus
Transmission rate of system bus	48 Mbps
Galvanic isolation	DC 500 V between current paths
Supply	
Voltage supply	24 V DC +20 % / - 15 % via the system bus
Current consumption (I _N in power segment of field bus coupler), typ.	8 mA
Current consumption (I _N in the respective power segment)	35 mA
Digital Inputs	
Number of counter inputs	2
Type	digital input
Input filter	adjustable up to 1 ms
Input voltage, low	< 5 V
Input voltage, high	> 11 V
Sensor feed	yes
Sensor connection	2- and 3-wire
Reverse polarity protection	yes
Module diagnosis	yes
Single channel diagnosis	no
Input current per channel, max.	3.5 mA
Counter data width	32 Bit
Input frequency, max.	100 kHz
Operation mode	Impulse
General data	
Weight	87 g
Dimensions (H/W/D)	120 mm (with catch lever 128 mm) x 11.5 mm x 76 mm

System data		
Interface	u-remote system bus	
Transmission rate of system bus	48 Mbps	
Galvanic isolation	DC 500 V between current paths	
Supply		
Voltage supply	24 V DC +20 % / - 15 % via the system bus	
Current consumption (I _N in power segment of field bus coupler), typ.	8 mA	
Current consumption (I _N in the respective power segment)	35 mA	
Digital Inputs		
Number of counter inputs	2	
Type	digital input	
Input filter	adjustable up to 1 ms	
Input voltage, low	< 5 V	
Input voltage, high	> 11 V	
Sensor feed	yes	
Sensor connection	2- and 3-wire	
Reverse polarity protection	yes	
Module diagnosis	yes	
Single channel diagnosis	no	
Input current per channel, max.	3.5 mA	
Counter data width	32 Bit	
Input frequency, max.	100 kHz	
Operation mode	Impulse	
General data		
Weight	87 g	
Dimensions (H/W/D)	120 mm (with catch lever 128 mm) x 11.5 mm x 76 mm	

Ordering data

Module variants	
Digital frequency counter module, 2 channel, 100 kHz	

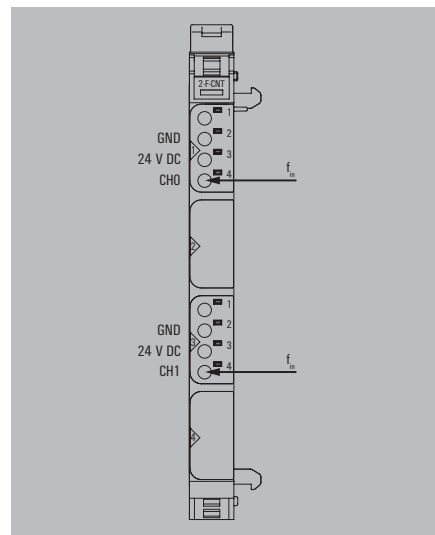
Type	Qty.	Order No.
UR20-2FCNT-100	1	1508080000

Accessories

Replacement parts	
Electronics module	UR20-EM-1508080000-SP
Basic module	UR20-BM-SP
Plug-in connector unit	UR20-PK-1508080000-SP
Note	

Type	Qty.	Order No.
KDSM BHZ5.00	100	1483050000
UR20-EBK-ACC	5	1346610000
UR20-SM-ACC	20	1339920000
PM 2.7/2.6 MC SDR	192	1323700000
PM 2.7/2.6 MC NE WS	960	1323710000
DEK 5/8-11.5 MC SDR	100	1341610000
DEK 5/8-11.5 MC NE WS	500	1341630000
THM UR20 GE * ¹⁾	1	1429910000
THM UR20 WS * ¹⁾	1	1429420000
ESO UR20 DIN A4 WS * ²⁾	10	1429430000
UR20-EM-1508080000-SP	1	1515440000
UR20-BM-SP	5	1350930000
UR20-PK-1508080000-SP	5	1518840000

*¹⁾ 1 roll = 1000 label = 1 Qty.
*²⁾ 1 sheet = 60 label = 1 Qty.



Product standard	
Product standard	IEC 61131-2
EMC	EN 61000
ATEX	EN 60079
UL	UL 508



Let's connect.

1SSI

- Parameterised transfer rate
- Listening- or Master-Mode
- Data width 8 ... 32 Bit
- Adjustable delay time

UR20-1SSI

Technical data

System data	
Interface	u-remote system bus
Transmission rate of system bus	48 Mbps
Galvanic isolation	DC 500 V between current paths
Supply	
Voltage supply	24 V DC +20 % / - 15 % via the system bus
Current consumption from system current path I _{SYS}	8 mA
Current consumption from input current path I _{OUT}	25 mA + sensor current
Serial inputs	
Number	1
Type	SSI (differential input RS-422)
Transfer rate SSI	125 kHz, 250 kHz, 500 kHz, 1 MHz, 1.5 MHz, 2 MHz
Delay time	1 µs, 2 µs, 4 µs, 8 µs, 16 µs, 32 µs, 48 µs, 64 µs
Data width	8 ... 32 Bit
Data type	Binary / Gray-Code
SSI-mode	Listening / Master
Sensor supply	0.5 A (24 V DC); 0.4 A (5V DC)
Reverse polarity protection	yes
Module diagnosis	yes
Individual channel diagnosis	no
Wire length	max. 320 m at 125 kHz, screened
General data	
Weight	87 g
Dimensions (H/W/D)	120 mm (with catch lever 128 mm) x 11.5 mm x 76 mm

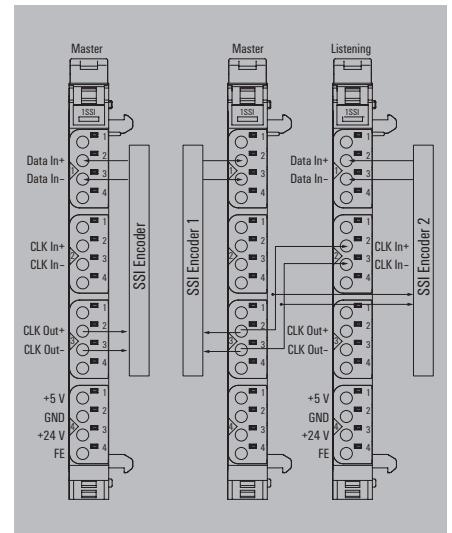
Ordering data

Module variants	Type	Qty.	Order No.
SSI-module, 1 channel, 8 - 32 Bit	UR20-1SSI	1	1508090000

Accessories

	Type	Qty.	Order No.
Coding elements	KDSM BHZ5.00	100	1483050000
Termination kit	UR20-EBK-ACC	5	1346610000
Swivel marker	UR20-SM-ACC	20	1339920000
Connection marker for pusher custom printing	PM 2.7/2.6 MC SDR	192	1323700000
Connection marker for pusher neutral	PM 2.7/2.6 MC NE WS	960	1323710000
Module marker for custom printing	DEK 5/8-11.5 MC SDR	100	1341610000
Module marker for neutral	DEK 5/8-11.5 MC NE WS	500	1341630000
Thermotransfer version (Material: Polyester)	THM UR20 GE * ¹⁾	1	1429910000
Thermotransfer version (Material: Polyester)	THM UR20 WS * ¹⁾	1	1429420000
Paper version for Laserprinter	ESO UR20 DIN A4 WS * ²⁾	10	1429430000
Replacement parts			
Electronics module	UR20-EM-1508090000-SP	1	1515490000
Basic module	UR20-BM-SP	5	1350930000
Plug-in connector unit	UR20-PK-1508090000-SP	5	1559870000

*¹⁾ 1 roll = 1000 label = 1 Qty.
 *²⁾ 1 sheet = 60 label = 1 Qty.



Product standard	IEC 61131-2
EMC	EN 61000
ATEX (in preparation)	EN 60079
UL (in preparation)	UL 508



Let's connect.

1COM-232-485-422

- Interface for RS232, RS485 and RS422 peripherals
- Adjustable transfer rate
- Galvanic isolation of the signals in the module
- Separate power supply for external peripheral to the module

UR20-1COM-232-485-422



Technical data

System data	
Interface	u-remote system bus
Transmission rate of system bus	48 Mbps
Galvanic isolation	DC 500 V between current paths
Supply	
Voltage supply	24 V DC +20 % / -15 % via the system bus
Current consumption (I _N in power segment of field bus coupler), typ.	8 mA
Current consumption (I _N in the respective power segment)	50 mA + load
RS Interface	
Number	1
Connection	1x RS232 / 1x RS485/422
Transmission rate	configurable, 300... 115200 Bit/s
Supply voltage	5 V / 24 V
Output current Supply voltage, max.	0.5 A
RS232 standards	DIN 66020, DIN 66259, EIA-RS 232C, CCITT V.24/V.28
RS485/422 standards	DIN 66259 Part 1 and 3, EIA-RS422/485, CCITT V.11
Short-circuit-proof	yes
Module diagnosis	yes
Individual channel diagnosis	yes
General data	
Weight	92 g
Dimensions (H/W/D)	120 mm (with catch lever 128 mm) x 11.5 mm x 76 mm

Ordering data

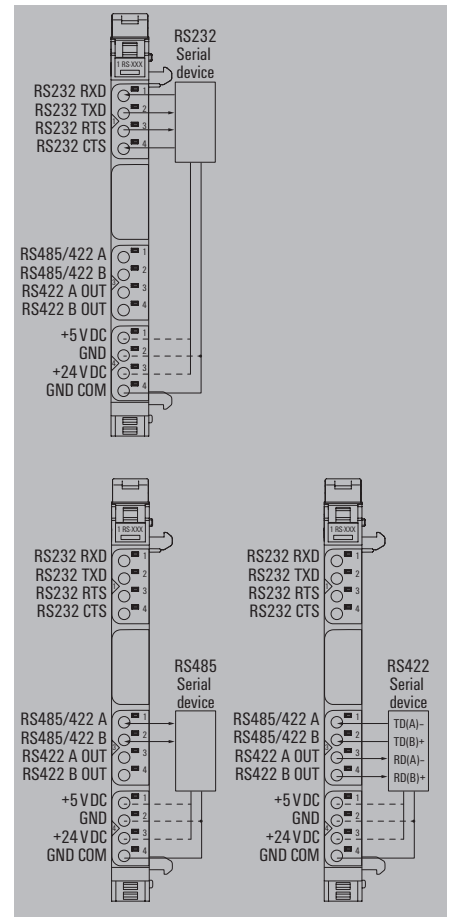
Module variants	
RS232/RS485/RS422 communication module	

Type	Qty.	Order No.
UR20-1COM-232-485-422	1	1315750000

Accessories

Accessories	
Coding elements	KDSM BHZ5.00 100 1483050000
Termination kit	UR20-EBK-ACC 5 1346610000
Swivel marker	UR20-SM-ACC 20 1339920000
Connection marker for pusher custom printing	PM 2.7/2.6 MC SDR 192 1323700000
Connection marker for pusher neutral	PM 2.7/2.6 MC NE WS 960 1323710000
Module marker for custom printing	DEK 5/8-11.5 MC SDR 100 1341610000
Module marker for neutral	DEK 5/8-11.5 MC NE WS 500 1341630000
Thermotransfer version (Material: Polyester)	THM UR20 GE *1) 1 1429910000
Thermotransfer version (Material: Polyester)	THM UR20 WS *1) 1 1429420000
Paper version for Laserprinter	ESO UR20 DIN A4 WS *2) 10 1429430000
Replacement parts	
Electronics module	UR20-EM-1315750000-SP 1 1347350000
Basic module	UR20-BM-SP 5 1350930000
Plug-in connector unit	UR20-PK-1315750000-SP 5 2425150000
Note	

Type	Qty.	Order No.
KDSM BHZ5.00	100	1483050000
UR20-EBK-ACC	5	1346610000
UR20-SM-ACC	20	1339920000
PM 2.7/2.6 MC SDR	192	1323700000
PM 2.7/2.6 MC NE WS	960	1323710000
DEK 5/8-11.5 MC SDR	100	1341610000
DEK 5/8-11.5 MC NE WS	500	1341630000
THM UR20 GE *1)	1	1429910000
THM UR20 WS *1)	1	1429420000
ESO UR20 DIN A4 WS *2)	10	1429430000
*1) 1 roll = 1000 label = 1 Qty.		
*2) 1 sheet = 60 label = 1 Qty.		



Product standard	IEC 61131-2
EMC (in preparation)	EN 61000
ATEX (in preparation)	EN 60079
UL (in preparation)	UL 61010-2-201
MSIP (in preparation)	MSIP-REM-WMG-1315750000



Let's connect.

1COM-SAI-PRO

- 15 SAI-PRO modules connectable
- Max. 50 m Subbus wire length
- Continuous diagnostics IP20-IP67
- Representation of SAI-PRO modules in web server

UR20-1COM-SAI-PRO



Technical data

System data	
Interface	u-remote system bus
Transmission rate of system bus	48 Mbps
Galvanic isolation	DC 500 V between current paths
Supply	
Voltage supply	24 V DC +20 % / -15 % via the system bus
Current consumption (I_N in power segment of field bus coupler), typ.	8 mA
Current consumption (I_N in the respective power segment)	20 mA + SAI supply current
IP67 Interface	
Number	1
Connection	SAI-PRO Subbus
Transmission rate	250 kbit/s, 500 kbit/s configurable
Supply voltage	+24 V DC
Output current Supply voltage	max. 3 A
Short-circuit-proof	yes
Module diagnosis	yes
Individual channel diagnosis	yes, diagnosis of the Subbus modules
General data	
Weight	87 g
Dimensions (H/W/D)	120 mm (with catch lever 128 mm) x 11.5 mm x 76 mm

Ordering data

Module variants	
IP20-IP67 communication module	

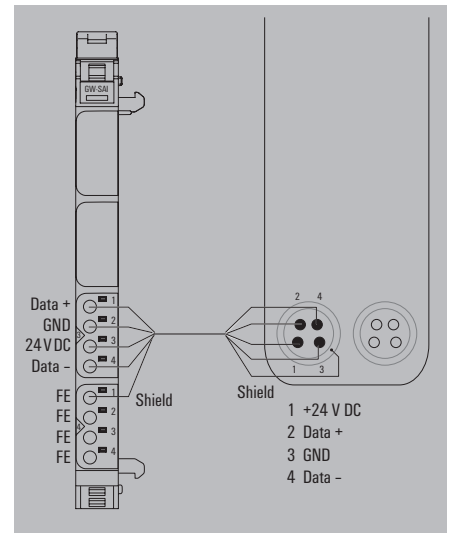
Accessories

Coding elements	
Termination kit	
Swivel marker	
Connection marker for pusher custom printing	
Connection marker for pusher neutral	
Module marker for custom printing	
Module marker for neutral	
Thermotransfer version (Material: Polyester)	
Thermotransfer version (Material: Polyester)	
Paper version for Laserprinter	
Replacement parts	
Electronics module	
Basic module	
Plug-in connector unit	
Note	

Type	Qty.	Order No.
UR20-1COM-SAI-PRO	1	2007430000

Type	Qty.	Order No.
KDSM BHZ5.00	100	1483050000
UR20-EBK-ACC	5	1346610000
UR20-SM-ACC	20	1339920000
PM 2.7/2.6 MC SDR	192	1323700000
PM 2.7/2.6 MC NE WS	960	1323710000
DEK 5/8-11.5 MC SDR	100	1341610000
DEK 5/8-11.5 MC NE WS	500	1341630000
THM UR20 GE * ¹⁾	1	1429910000
THM UR20 WS * ¹⁾	1	1429420000
ESO UR20 DIN A4 WS * ²⁾	10	1429430000
UR20-EM-2007430000-SP	1	2425350000
UR20-BM-SP	5	1350930000
UR20-PK-2007430000-SP	5	2425160000

*¹⁾ 1 roll = 1000 label = 1 Qty.
*²⁾ 1 sheet = 60 label = 1 Qty.



Product standard	IEC 61131-2
EMC (in preparation)	EN 61000
ATEX (in preparation)	EN 60079
UL (in preparation)	UL 61010-2-201
MSIP (in preparation)	MSIP-REM-WMG-2007430000



Let's connect.

Technical data

Machinery

Process

Energy

Transportation

Device Manufacturers

4DI-4DO-PN-FSOE

- FailSafe over EtherCAT
- 4 digital inputs, two of them are parametrisable P- or N-switching
- 4 digital outputs, two of them are parametrisable P- or N-switching
- Constant current with thermal switch-off

Technical data

System data	
Interface	
Transmission rate of system bus	
Galvanic isolation	
Safety-related data	
Achievable safety level	Inputs Outputs
Diagnostic Coverage DC _{avg} (IEC 62061)	
Diagnostic Coverage (DIN EN ISO 13849)	
MTTF _a (Mean Time To Failure dangerous)	
PFH (Probability of Failure per Hour in 1/h)	
SSF (Safe Failure Fraction)	
HFT (Hardware Fault Tolerance)	
Supply	
Voltage supply	
Current consumption from system current path I _{sys}	
Current consumption from input current path I _{out}	
Inputs	
Number	
Input Type	
Input filter	
Input voltage low	
Input voltage high	
Sensor supply	
Reverse polarity protection	
Module diagnosis	
Individual channel diagnosis	
Outputs	
Number	
Type of load	
Response time	
Max. output current	per channel/per module
Actuator connection	
Short-circuit-proof	
Protective circuit	
Response time of the current limiting circuit	
Module diagnosis	
Individual channel diagnosis	
Reactionless	
General data	
Weight	
Dimensions (H/W/D)	

Ordering data

Module variants	
Safety module FSOE, 4 digital inputs, 4 digital outputs	

Accessories

Coding elements	
Termination kit	
Swivel marker	
Connection marker for pusher custom printing	
Connection marker for pusher neutral	
Module marker for custom printing	
Module marker for neutral	
Thermotransfer version (Material: Polyester)	
Thermotransfer version (Material: Polyester)	
Paper version for Laserprinter	
Replacement parts	
Electronics module	
Basic module	
Plug-in connector unit	
Note	

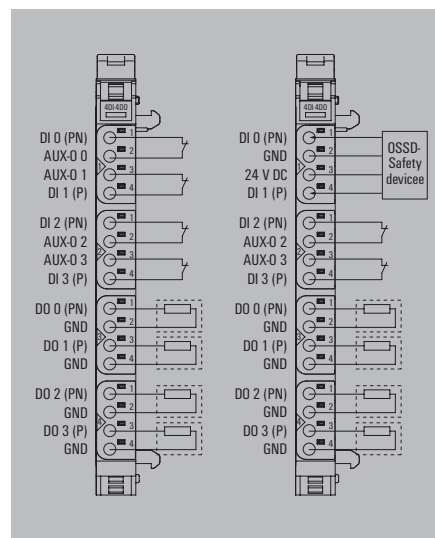
UR20-4DI-4DO-PN-FSOE



u-remote system bus	
48 Mbps	
DC 500 V between current paths	
SIL 3 (IEC 61508), SILCL 3 (IEC 62061), PL _e and Cat. 4 (DIN EN ISO 13849-1)*	
SIL 3 (IEC 61508), SILCL 3 (IEC 62061), PL _e and Cat. 4 (DIN EN ISO 13849-1)*	
Input: 0.921; output: 0.969	
Input, single channel: 90%; dual channel: 99%; Output: 99%	
> 100 Years (Input: 4488a, output: 3067a)	
Input, single channel: 2*10 ⁻⁹ ; dual channel: 4.07*10 ⁻¹¹ ; Output: 2.02*10 ⁻¹¹	
Input: 0.978; output: 0.989	
Input, single channel: 0; dual channel: 1; Output: 1	
24 V DC +20 % / - 15 % via the system bus	
8 mA	
< 30 mA + sensor feed	
4, two of them are parametrisable P- or N-switching	
Type 1 and Type 3 as per IEC 61131-2*	
Input delay adjustable from 0 to 40 ms*	
P-switching: < 5 V; N-switching: > 5 V against +24 V	
P-switching: > 11 V; N-switching: < -11 V against +24 V	
max. 0.8 A per plug, total max. 1.6 A	
yes	
yes	
yes	
4, two of them are parametrisable P- or N-switching	
ohmic, inductive, lamp load	
10 ms	
0.5 A / 2 A	
2-wire	
yes	
Constant current with thermal switch-off	
< 100 µs	
yes	
yes	
yes	
no	
87 g	
120 mm (with catch lever 128 mm) x 11.5 mm x 76 mm	

Type	Qty.	Order No.
UR20-4DI-4DO-PN-FSOE	1	1529780000
*) For this and additional technical data, please refer to the manual available at www.weidmueller.de or scan the QR code below.		

Type	Qty.	Order No.
KOSM BHZ5.00	100	1483050000
UR20-EBK-ACC	5	1346610000
UR20-SM-ACC	20	1339920000
PM 2.7/2.6 MC SDR	192	1323700000
PM 2.7/2.6 MC NE WS	960	1323710000
DEK 5/8-11.5 MC SDR	100	1341610000
DEK 5/8-11.5 MC NE WS	500	1341630000
THM UR20 GE * ¹⁾	1	1429910000
THM UR20 WS * ¹⁾	1	1429420000
ESO UR20 DIN A4 WS * ²⁾	10	1429430000
UR20-EM-1529780000-SP	1	1992960000
UR20-BM-SP	5	1350930000
UR20-PK-1529780000-SP	5	1993030000
* ¹⁾ 1 roll = 1000 label = 1 Qty. * ²⁾ 1 sheet = 60 label = 1 Qty.		



Product standard	IEC 61131-2
EMC	EN 61000
ATEX (in preparation)	EN 60079
UL (in preparation)	UL 508



Let's connect.

8DI-PN-FSOE

- FailSafe over EtherCAT
- 8 digital inputs, four of them are parametrisable P- or N-switching
- 2-wire, 3-wire, 4-wire connection

UR20-8DI-PN-FSOE



Technical data

System data	
Interface	u-remote system bus
Transmission rate of system bus	48 Mbps
Galvanic isolation	DC 500 V between current paths
Safety-related data	
Achievable safety level	SIL 3 (IEC 61508), SILCL 3 (IEC 62061), PL _e and Cat. 4 (DIN EN ISO 13849-1)*
Diagnostic Coverage DC _{RDG} (IEC 62061)	0.921
Diagnostic Coverage (DIN EN ISO 13849)	Single channel: 90%; dual channel: 99%
MTTF _r (Mean Time To Failure dangerous)	> 100 Years (4488a)
PFH (Probability of Failure per Hour in 1/h)	Single channel: 2*10 ⁻⁹ ; dual channel: 4.07*10 ⁻¹¹
SSF (Safe Failure Fraction)	0.978
HFT (Hardware Fault Tolerance)	Single channel: 0; dual channel: 1
Supply	
Voltage supply	24 V DC +20 % / - 15 % via the system bus
Current consumption from system current path I _{sys}	8 mA
Current consumption from input current path I _{IN}	< 30 mA + sensor feed
Inputs	
Number	8, four of them are parametrisable P- or N-switching
Input Type	Type 1 and Type 3 as per IEC 61131-2*
Input filter	Input delay adjustable from 0 to 40 ms*
Input voltage low	P-switching: < 5 V; N-switching: > -5 V against +24 V
Input voltage high	P-switching: > 11 V; N-switching: < -11 V against +24 V
Sensor supply	max. 0.8 A per plug, total max. 3.2 A
Sensor connection	2-wire, 3-wire, 4-wire
Reverse polarity protection	yes
Module diagnosis	yes
Individual channel diagnosis	yes
General Data	
Weight	87 g
Dimensions (H/W/D)	120 mm (with catch lever 128 mm) x 11.5 mm x 76 mm

Ordering data

Module variants	
Safety module FSOE, 8 digital inputs	

Type	Qty.	Order No.
UR20-8DI-PN-FSOE	1	1529800000

*) For this and additional technical data, please refer to the manual available at www.weidmueller.de or scan the QR code below.

Accessories

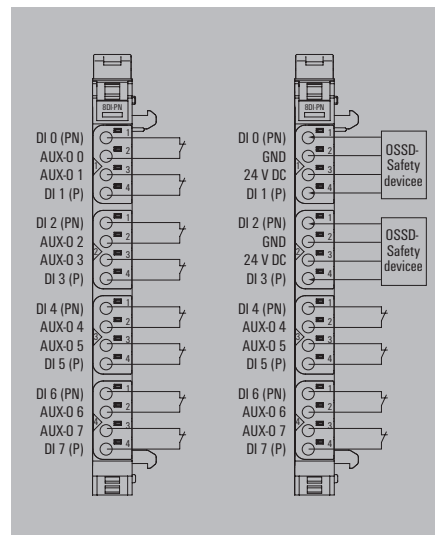
Accessories	
Coding elements	KOSM BHZ5.00
Termination kit	UR20-EBK-ACC
Swivel marker	UR20-SM-ACC
Connection marker for pusher custom printing	PM 2.7/2.6 MC SDR
Connection marker for pusher neutral	PM 2.7/2.6 MC NE WS
Module marker for custom printing	DEK 5/8-11.5 MC SDR
Module marker for neutral	DEK 5/8-11.5 MC NE WS
Thermotransfer version (Material: Polyester)	THM UR20 GE * ¹⁾
Thermotransfer version (Material: Polyester)	THM UR20 WS * ¹⁾
Paper version for Laserprinter	ESD UR20 DIN A4 WS * ²⁾

Replacement parts	
Electronics module	UR20-EM-1529800000-SP
Basic module	UR20-BM-SP
Plug-in connector unit	UR20-PK-1529800000-SP

Note

Type	Qty.	Order No.
KOSM BHZ5.00	100	1483050000
UR20-EBK-ACC	5	1346610000
UR20-SM-ACC	20	1339920000
PM 2.7/2.6 MC SDR	192	1323700000
PM 2.7/2.6 MC NE WS	960	1323710000
DEK 5/8-11.5 MC SDR	100	1341610000
DEK 5/8-11.5 MC NE WS	500	1341630000
THM UR20 GE * ¹⁾	1	1429910000
THM UR20 WS * ¹⁾	1	1429420000
ESD UR20 DIN A4 WS * ²⁾	10	1429430000
UR20-EM-1529800000-SP	1	1992970000
UR20-BM-SP	5	1350930000
UR20-PK-1529800000-SP	5	1993040000

*¹⁾ 1 roll = 1000 label = 1 Qty.
*²⁾ 1 sheet = 60 label = 1 Qty.



Product standard	IEC 61131-2
EMC	EN 61000
ATEX (in preparation)	EN 60079
UL (in preparation)	UL 508



Let's connect.

Technical data
 Machinery
 Process
 Energy
 Transportation
 Device Manufacturers

4DI-4DO-PN-FSPS

- PROFIsafe
- 4 digital inputs, two of them are parametrisable P- or N-switching
- 4 digital outputs, two of them are parametrisable P- or N-switching
- Constant current with thermal switch-off

Technical data

System data	
Interface	
Transmission rate of system bus	
Galvanic isolation	
Safety-related data	
Achievable safety level	Inputs Outputs
Diagnostic Coverage DC _{AVE} (IEC 62061)	
Diagnostic Coverage (DIN EN ISO 13849)	
MTTF _a (Mean Time To Failure dangerous)	
PFH (Probability of Failure per Hour in 1/h)	
SSF (Safe Failure Fraction)	
HFT (Hardware Fault Tolerance)	
Supply	
Voltage supply	
Current consumption from system current path I _{sys}	
Current consumption from input current path I _{OUT}	
Inputs	
Number	
Input Type	
Input filter	
Input voltage low	
Input voltage high	
Sensor supply	
Reverse polarity protection	
Module diagnosis	
Individual channel diagnosis	
Outputs	
Number	
Type of load	
Response time	
Max. output current	per channel/per module
Actuator connection	
Short-circuit-proof	
Protective circuit	
Response time of the current limiting circuit	
Module diagnosis	
Individual channel diagnosis	
Reactionless	
General data	
Weight	
Dimensions (H/W/D)	

Ordering data

Module variants	
Safety module PROFIsafe, 4 digital inputs, 4 digital outputs	

Accessories

Accessories	
Coding elements	
Termination kit	
Swivel marker	
Connection marker for pusher custom printing	
Connection marker for pusher neutral	
Module marker for custom printing	
Module marker for neutral	
Thermotransfer version (Material: Polyester)	
Thermotransfer version (Material: Polyester)	
Paper version for Laserprinter	
Replacement parts	
Electronics module	
Basic module	
Plug-in connector unit	
Note	

UR20-4DI-4DO-PN-FSPS



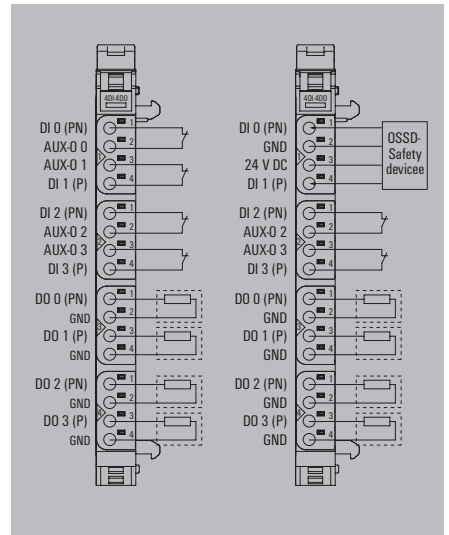
u-remote system bus	
Interface	
Transmission rate of system bus	
Galvanic isolation	
Safety-related data	
Achievable safety level	Inputs Outputs
Diagnostic Coverage DC _{AVE} (IEC 62061)	
Diagnostic Coverage (DIN EN ISO 13849)	
MTTF _a (Mean Time To Failure dangerous)	
PFH (Probability of Failure per Hour in 1/h)	
SSF (Safe Failure Fraction)	
HFT (Hardware Fault Tolerance)	
Supply	
Voltage supply	
Current consumption from system current path I _{sys}	
Current consumption from input current path I _{OUT}	
Inputs	
Number	
Input Type	
Input filter	
Input voltage low	
Input voltage high	
Sensor supply	
Reverse polarity protection	
Module diagnosis	
Individual channel diagnosis	
Outputs	
Number	
Type of load	
Response time	
Max. output current	per channel/per module
Actuator connection	
Short-circuit-proof	
Protective circuit	
Response time of the current limiting circuit	
Module diagnosis	
Individual channel diagnosis	
Reactionless	
General data	
Weight	
Dimensions (H/W/D)	

Type	Qty.	Order No.
UR20-4DI-4DO-PN-FSPS	1	1335060000

*) For this and additional technical data, please refer to the manual available at www.weidmueller.de or scan the QR code below.

Type	Qty.	Order No.
KOSM BHZ5.00	100	1483050000
UR20-EBK-ACC	5	1346610000
UR20-SM-ACC	20	1339920000
PM 2.7/2.6 MC SDR	192	1323700000
PM 2.7/2.6 MC NE WS	960	1323710000
DEK 5/8-11.5 MC SDR	100	1341610000
DEK 5/8-11.5 MC NE WS	500	1341630000
THM UR20 GE ^{*)}	1	1429910000
THM UR20 WS ^{*)}	1	1429420000
ESO UR20 DIN A4 WS ^{*)}	10	1429430000
UR20-EM-1335060000-SP	1	1347550000
UR20-BM-SP	5	1350930000
UR20-PK-1335060000-SP	5	1992940000

^{*)} 1 roll = 1000 label = 1 Qty.
^{**)} 1 sheet = 60 label = 1 Qty.



Product standard	
EMC	IEC 61131-2 EN 61000
ATEX (in preparation)	EN 60079
UL (in preparation)	UL 508



Let's connect.

8DI-PN-FSPS

- PROFIsafe
- 8 digital inputs, four of them are parametrisable P- or N-switching
- 2-wire, 3-wire, 4-wire connection

UR20-8DI-PN-FSPS



Technical data

System data	
Interface	u-remote system bus
Transmission rate of system bus	48 Mbps
Galvanic isolation	DC 500 V between current paths
Safety-related data	
Achievable safety level	SIL 3 (IEC 61508), SILCL 3 (IEC 62061), PL _e and Cat. 4 (DIN EN ISO 13849-1)*
Diagnostic Coverage DC _{RDG} (IEC 62061)	0.921
Diagnostic Coverage (DIN EN ISO 13849)	Single channel: 90%; dual channel: 99%
MTTF _d (Mean Time To Failure dangerous)	> 100 Years (4488a)
PFH (Probability of Failure per Hour in 1/h)	Single channel: 2*10 ⁻⁹ ; dual channel: 4.07*10 ⁻¹¹
SSF (Safe Failure Fraction)	0.978
HFT (Hardware Fault Tolerance)	Single channel: 0; dual channel: 1
Supply	
Voltage supply	24 V DC +20 % / -15 % via the system bus
Current consumption from system current path I _{sys}	8 mA
Current consumption from input current path I _{IN}	< 30 mA + sensor feed
Inputs	
Number	8, four of them are parametrisable P- or N-switching
Input Type	Type 1 and Type 3 as per IEC 61131-2*
Input filter	Input delay adjustable from 0 to 40 ms*
Input voltage low	P-switching: < 5 V; N-switching: > -5 V against +24 V
Input voltage high	P-switching: > 11 V; N-switching: < -11 V against +24 V
Sensor supply	max. 0.8 A per plug, total max. 3.2 A
Sensor connection	2-wire, 3-wire, 4-wire
Reverse polarity protection	yes
Module diagnosis	yes
Individual channel diagnosis	yes
General Data	
Weight	87 g
Dimensions (H/W/D)	120 mm (with catch lever 128 mm) x 11.5 mm x 76 mm

Ordering data

Module variants	
Safety module PROFIsafe, 8 digital inputs	

Type	Qty.	Order No.
UR20-8DI-PN-FSPS	1	1335070000

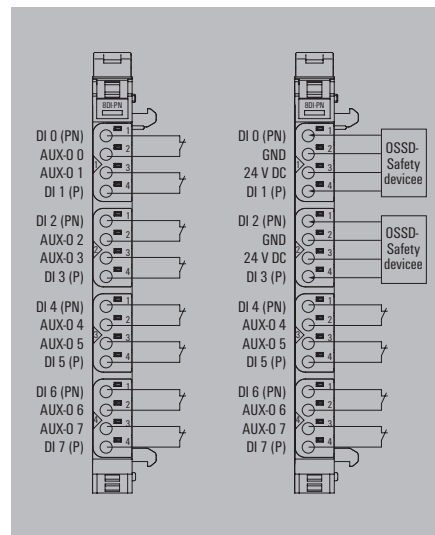
*) For this and additional technical data, please refer to the manual available at www.weidmueller.de or scan the QR code below.

Accessories

Accessories	
Coding elements	KOSM BHZ5.00
Termination kit	UR20-EBK-ACC
Swivel marker	UR20-SM-ACC
Connection marker for pusher custom printing	PM 2.7/2.6 MC SDR
Connection marker for pusher neutral	PM 2.7/2.6 MC NE WS
Module marker for custom printing	DEK 5/8-11.5 MC SDR
Module marker for neutral	DEK 5/8-11.5 MC NE WS
Thermotransfer version (Material: Polyester)	THM UR20 GE * ¹⁾
Thermotransfer version (Material: Polyester)	THM UR20 WS * ¹⁾
Paper version for Laserprinter	ESD UR20 DIN A4 WS * ²⁾
Replacement parts	
Electronics module	UR20-EM-1335070000-SP
Basic module	UR20-BM-SP
Plug-in connector unit	UR20-PK-1335070000-SP
Note	

Type	Qty.	Order No.
KOSM BHZ5.00	100	1483050000
UR20-EBK-ACC	5	1346610000
UR20-SM-ACC	20	1339920000
PM 2.7/2.6 MC SDR	192	1323700000
PM 2.7/2.6 MC NE WS	960	1323710000
DEK 5/8-11.5 MC SDR	100	1341610000
DEK 5/8-11.5 MC NE WS	500	1341630000
THM UR20 GE * ¹⁾	1	1429910000
THM UR20 WS * ¹⁾	1	1429420000
ESD UR20 DIN A4 WS * ²⁾	10	1429430000
UR20-EM-1335070000-SP	1	1347570000
UR20-BM-SP	5	1350930000
UR20-PK-1335070000-SP	5	1992950000

*¹⁾ 1 roll = 1000 label = 1 Qty.
*²⁾ 1 sheet = 60 label = 1 Qty.



Product standard	IEC 61131-2
EMC	EN 61000
ATEX (in preparation)	EN 60079
UL (in preparation)	UL 508



Let's connect.

Technical data
 Machinery
 Process
 Energy
 Transportation
 Device Manufacturers

PF-0-1DI-SIL

- SIL 3 safety standard in accordance with IEC 62061 and DIN EN ISO 13849-1, category 4, PL e
- Connection for an emergency stop circuit
- OSSD output reports status to control unit
- Pulsed input circuit for wire breakage and short-circuit detection
- Restart: manual or using autostart

UR20-PF-0-1DI-SIL



Technical data

System data	
Interface	u-remote system bus
Transmission rate of system bus	48 Mbps
Safety-related data	
Achievable safety standard	IEC 61508 SIL 3 and DIN EN ISO 13849-1:2008 PL e
Level of diagnostic coverage	96.64 %
MTTF _a	> 100 years (PFH = 6.27 * 10 ⁻⁹ 1/h)
SFF	98.58 %
HFT	1
Supply	
Supply voltage for system and inputs	24 V DC +20 % / -15 % via the system bus
Supply voltage for outputs	24 V DC +20 % / -15 %
Maximum feed current for input modules	8 A
Current consumption (internal)	35 mA
Digital inputs	
Wire breakage detection	yes
Short-circuit detection	yes
General data	
Weight	80 g
Dimensions (H/W/D)	120 mm (with catch lever 128 mm) x 11,5 mm x 76 mm

Interface	u-remote system bus
Transmission rate of system bus	48 Mbps
Achievable safety standard	IEC 61508 SIL 3 and DIN EN ISO 13849-1:2008 PL e
Level of diagnostic coverage	96.64 %
MTTF _a	> 100 years (PFH = 6.27 * 10 ⁻⁹ 1/h)
SFF	98.58 %
HFT	1
Supply voltage for system and inputs	24 V DC +20 % / -15 % via the system bus
Supply voltage for outputs	24 V DC +20 % / -15 %
Maximum feed current for input modules	8 A
Current consumption (internal)	35 mA
Wire breakage detection	yes
Short-circuit detection	yes
Weight	80 g
Dimensions (H/W/D)	120 mm (with catch lever 128 mm) x 11,5 mm x 76 mm

Ordering data

Module variants	
Safety module, 1 digital input	

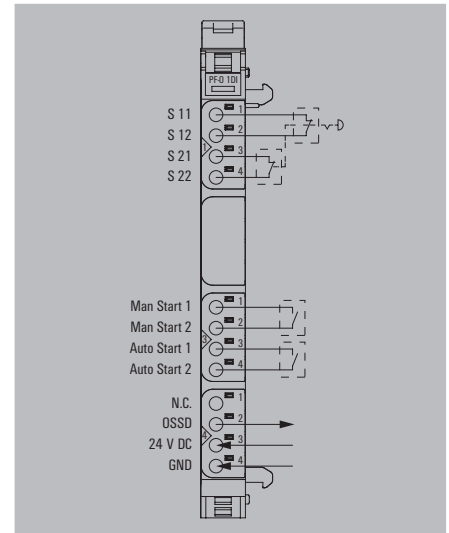
Type	Qty.	Order No.
UR20-PF-0-1DI-SIL	1	1335030000

Accessories

Accessories	
Coding elements	
Termination kit	
Swivel marker	
Connection marker for pusher custom printing	
Connection marker for pusher neutral	
Module marker for custom printing	
Module marker for neutral	
Thermotransfer version (Material: Polyester)	
Thermotransfer version (Material: Polyester)	
Paper version for Laserprinter	
Replacement parts	
Electronics module	
Basic module	
Plug-in connector unit	
Note	

Type	Qty.	Order No.
KDSM BHZ5.00	100	1483050000
UR20-EBK-ACC	5	1346610000
UR20-SM-ACC	20	1339920000
PM 2.7/2.6 MC SDR	192	1323700000
PM 2.7/2.6 MC NE WS	960	1323710000
DEK 5/8-11.5 MC SDR	100	1341610000
DEK 5/8-11.5 MC NE WS	500	1341630000
THM UR20 GE * ¹⁾	1	1429910000
THM UR20 WS * ¹⁾	1	1429420000
ESO UR20 DIN A4 WS * ²⁾	10	1429430000
UR20-EM-1335030000-SP	1	1347520000
UR20-BM-SIL-SP	5	1350970000
UR20-PK-1335030000-SP	5	1346560000

*¹⁾ 1 roll = 1000 label = 1 Qty.
*²⁾ 1 sheet = 60 label = 1 Qty.



Product standard	IEC 61131-2
EMC	EN 61000
ATEX	EN 60079
UL	UL 508



Let's connect.

PF-0-2DI-SIL

- SIL 3 safety standard in accordance with IEC 62061 and DIN EN ISO 13849-1, category 4, PL e
- Connection for an emergency stop circuit
- OSSD output reports status to control unit
- Pulsed input circuit for wire breakage and short-circuit detection
- Restart: manual or using autostart

Technical data

System data
Interface
Transmission rate of system bus
Safety-related data
Achievable safety standard
Level of diagnostic coverage
MTTF _a
SFF
HFT
Supply
Supply voltage for system and inputs
Supply voltage for outputs
Maximum feed current for input modules
Current consumption (internal)
Digital inputs
Wire breakage detection
Short-circuit detection
General data
Weight
Dimensions (H/W/D)

Ordering data

Module variants
Safety module, 2 digital inputs

Accessories

Coding elements
Termination kit
Swivel marker
Connection marker for pusher custom printing
Connection marker for pusher neutral
Module marker for custom printing
Module marker for neutral
Thermotransfer version (Material: Polyester)
Thermotransfer version (Material: Polyester)
Paper version for Laserprinter
Replacement parts
Electronics module
Basic module
Plug-in connector unit
Note

UR20-PF-0-2DI-SIL

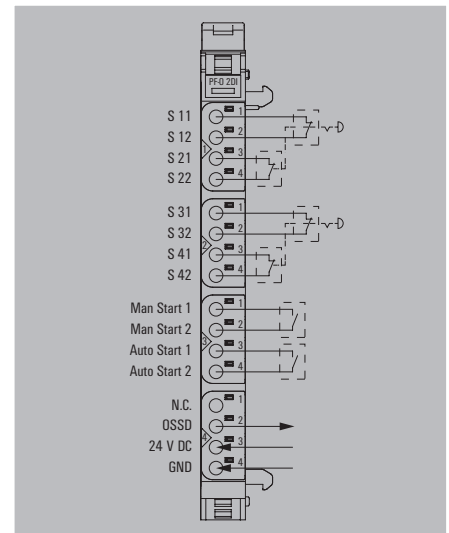


u-remote system bus
48 Mbps
IEC 61508 SIL 3 and DIN EN ISO 13849-1:2008 PL e
96.64 %
> 100 years (PFH = 6.27 * 10 ⁻⁹ 1/h)
98.58 %
1
24 V DC +20 % / -15 % via the system bus
24 V DC +20 % / -15 %
8 A
35 mA
yes
yes
82 g
120 mm (with catch lever 128 mm) x 11,5 mm x 76 mm

Type	Qty.	Order No.
UR20-PF-0-2DI-SIL	1	1335050000

Type	Qty.	Order No.
KDSM BHZ5.00	100	1483050000
UR20-EBK-ACC	5	1346610000
UR20-SM-ACC	20	1339920000
PM 2.7/2.6 MC SDR	192	1323700000
PM 2.7/2.6 MC NE WS	960	1323710000
DEK 5/8-11.5 MC SDR	100	1341610000
DEK 5/8-11.5 MC NE WS	500	1341630000
THM UR20 GE * ¹⁾	1	1429910000
THM UR20 WS * ¹⁾	1	1429420000
ESO UR20 DIN A4 WS * ²⁾	10	1429430000
UR20-EM-1335050000-SP	1	1347540000
UR20-BM-SIL-SP	5	1350970000
UR20-PK-1335050000-SP	5	1346570000

*¹⁾ 1 roll = 1000 label = 1 Qty.
*²⁾ 1 sheet = 60 label = 1 Qty.



Product standard	IEC 61131-2
EMC	EN 61000
ATEX	EN 60079
UL	UL 508



Let's connect.

Technical data

Machinery

Process

Energy

Transportation

Device Manufacturers

PF-0-2DI-DELAY-SIL

- SIL 3 safety standard in accordance with IEC 62061 and DIN EN ISO 13849-1, category 4, PL e
- Switch-off after adjustable delay
- Connection for an emergency stop circuit
- OSSD output reports status to control unit
- Pulsed input circuit for wire breakage and short-circuit detection
- Restart: manual or using autostart

UR20-PF-0-2DI-DELAY-SIL



Technical data

System data	
Interface	u-remote system bus
Transmission rate of system bus	48 Mbps
Safety-related data	
Achievable safety standard	IEC 61508 SIL 3 and DIN EN ISO 13849-1:2008 PL e
Level of diagnostic coverage	96.64 %
MTTF _a	> 100 years (PFH = 6.27 * 10 ⁻⁹ 1/h)
SFF	98.58 %
HFT	1
Supply	
Supply voltage for system and inputs	24 V DC +20 % / -15 % via the system bus
Supply voltage for outputs	24 V DC +20 % / -15 %
Maximum feed current for input modules	8 A
Current consumption (internal)	35 mA
Digital inputs	
Wire breakage detection	yes
Short-circuit detection	yes
General data	
Weight	84 g
Dimensions (H/W/D)	120 mm (with catch lever 128 mm) x 11,5 mm x 76 mm

System data		
Interface	u-remote system bus	
Transmission rate of system bus	48 Mbps	
Safety-related data		
Achievable safety standard	IEC 61508 SIL 3 and DIN EN ISO 13849-1:2008 PL e	
Level of diagnostic coverage	96.64 %	
MTTF _a	> 100 years (PFH = 6.27 * 10 ⁻⁹ 1/h)	
SFF	98.58 %	
HFT	1	
Supply		
Supply voltage for system and inputs	24 V DC +20 % / -15 % via the system bus	
Supply voltage for outputs	24 V DC +20 % / -15 %	
Maximum feed current for input modules	8 A	
Current consumption (internal)	35 mA	
Digital inputs		
Wire breakage detection	yes	
Short-circuit detection	yes	
General data		
Weight	84 g	
Dimensions (H/W/D)	120 mm (with catch lever 128 mm) x 11,5 mm x 76 mm	

Ordering data

Module variants	
Safety module, 2 digital inputs, delayed	

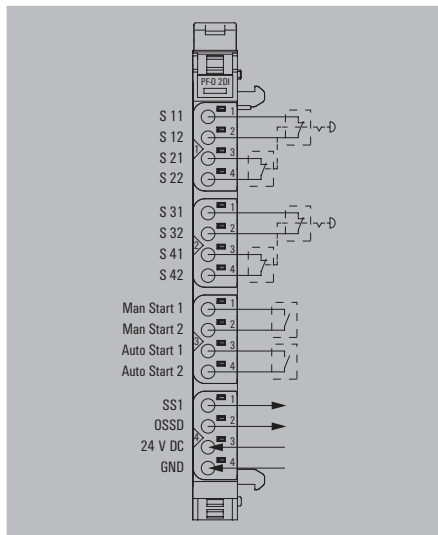
Type	Qty.	Order No.
UR20-PF-0-2DI-DELAY-SIL	1	1335040000

Accessories

Accessories	
Coding elements	
Termination kit	
Swivel marker	
Connection marker for pusher custom printing	
Connection marker for pusher neutral	
Module marker for custom printing	
Module marker for neutral	
Thermotransfer version (Material: Polyester)	
Thermotransfer version (Material: Polyester)	
Paper version for Laserprinter	
Replacement parts	
Electronics module	
Basic module	
Plug-in connector unit	
Note	

Type	Qty.	Order No.
KDSM BHZ5.00	100	1483050000
UR20-EBK-ACC	5	1346610000
UR20-SM-ACC	20	1339920000
PM 2.7/2.6 MC SDR	192	1323700000
PM 2.7/2.6 MC NE WS	960	1323710000
DEK 5/8-11.5 MC SDR	100	1341610000
DEK 5/8-11.5 MC NE WS	500	1341630000
THM UR20 GE * ¹⁾	1	1429910000
THM UR20 WS * ¹⁾	1	1429420000
ESO UR20 DIN A4 WS * ²⁾	10	1429430000
UR20-EM-1335040000-SP	1	1347530000
UR20-BM-SIL-SP	5	1350970000
UR20-PK-1335040000-SP	5	1484100000

*¹⁾ 1 roll = 1000 label = 1 Qty.
*²⁾ 1 sheet = 60 label = 1 Qty.



Product standard	IEC 61131-2
EMC	EN 61000
ATEX	EN 60079
UL	UL 508



Let's connect.

PF-I

- Power supply in input current path
- Power supply current 10 A
- Integrated diagnosis display

UR20-PF-I

Technical data
Supply

Voltage supply for inputs
 Maximum feed current for input modules
 Current consumption (I_N in the respective power segment)

24 V DC +20 % / -15 %
 10 A
 10 mA

General data

Weight
 Dimensions (H/W/D)

76 g
 120 mm (with catch lever 128 mm) x 11,5 mm x 76 mm

Ordering data
Module variants

Power supply module

Type	Qty.	Order No.
UR20-PF-I	1	1334710000

Accessories

Coding elements
 Termination kit
 Swivel marker
 Connection marker for pusher custom printing
 Connection marker for pusher neutral
 Module marker for custom printing
 Module marker for neutral
 Thermotransfer version (Material: Polyester)
 Thermotransfer version (Material: Polyester)
 Paper version for Laserprinter

Type	Qty.	Order No.
KOSM BHZ5.00	100	1483050000
UR20-EBK-ACC	5	1346610000
UR20-SM-ACC	20	1339920000
PM 2.7/2.6 MC SDR	192	1323700000
PM 2.7/2.6 MC NE WS	960	1323710000
DEK 5/8-11.5 MC SDR	100	1341610000
DEK 5/8-11.5 MC NE WS	500	1341630000
THM UR20 GE * ¹⁾	1	1429910000
THM UR20 WS * ¹⁾	1	1429420000
ESD UR20 DIN A4 WS * ²⁾	10	1429430000

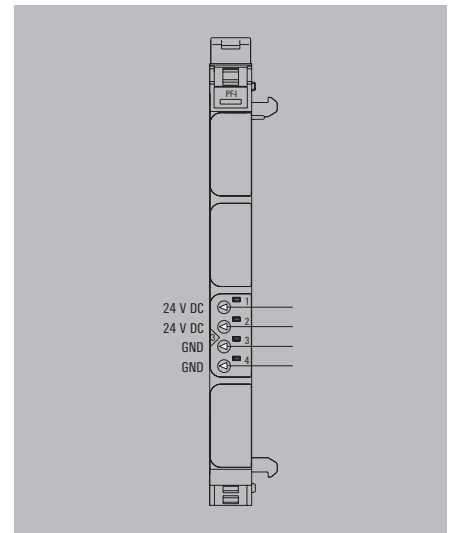
Replacement parts

Electronics module
 Basic module
 Plug-in connector unit

UR20-EM-1334710000-SP	1	1347380000
UR20-BM-PF-I-SP	5	1350940000
UR20-PK-1334710000-SP	5	1346460000

Note

*¹⁾ 1 roll = 1000 label = 1 Qty.
 *²⁾ 1 sheet = 60 label = 1 Qty.



Product standard	IEC 61131-2
EMC	EN 61000
ATEX	EN 60079
UL	UL 508
MSIP	MSIP-REM-WMG-1334710000



Let's connect.

PF-0

- Power supply in output current path
- Power supply current 10 A
- Integrated diagnosis display

UR20-PF-0



Technical data

Supply
Voltage supply for outputs
Maximum feed current for output modules
Current consumption (I_{out} in the respective power segment)
General data
Weight
Dimensions (H/W/D)

24 V DC +20 % / - 15 %
10 A
10 mA
76 g
120 mm (with catch lever 128 mm) x 11,5 mm x 76 mm

Ordering data

Module variants
Power supply module

Type	Qty.	Order No.
UR20-PF-0	1	1334740000

Accessories

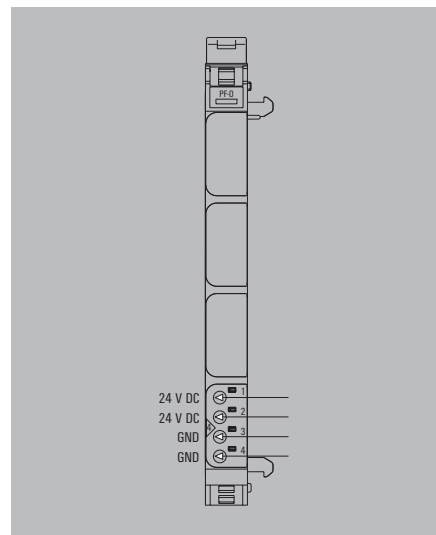
Coding elements
Termination kit
Swivel marker
Connection marker for pusher custom printing
Connection marker for pusher neutral
Module marker for custom printing
Module marker for neutral
Thermotransfer version (Material: Polyester)
Thermotransfer version (Material: Polyester)
Paper version for Laserprinter

Type	Qty.	Order No.
KOSM BHZ5.00	100	1483050000
UR20-EBK-ACC	5	1346610000
UR20-SM-ACC	20	1339920000
PM 2.7/2.6 MC SDR	192	1323700000
PM 2.7/2.6 MC NE WS	960	1323710000
DEK 5/8-11.5 MC SDR	100	1341610000
DEK 5/8-11.5 MC NE WS	500	1341630000
THM UR20 GE * ¹⁾	1	1429910000
THM UR20 WS * ¹⁾	1	1429420000
ESD UR20 DIN A4 WS * ²⁾	10	1429430000

Replacement parts
Electronics module
Basic module
Plug-in connector unit
Note

UR20-EM-1334740000-SP	1	1347420000
UR20-BM-PF-0-SP	5	1350950000
UR20-PK-1334740000-SP	5	1346480000

*¹⁾ 1 roll = 1000 label = 1 Qty.
*²⁾ 1 sheet = 60 label = 1 Qty.



Product standard	IEC 61131-2
EMC	EN 61000
ATEX	EN 60079
UL	UL 508
MSIP	MSIP-REM-WMG-1334740000



Let's connect.

AUX

- Distribution of the various potentials
- Actuator and sensor supply
- 16 "PUSH IN" potential contacts

UR20-16AUX



Technical data

Supply
Voltage supply
General data
Weight
Dimensions (H/W/D)

24 V DC +20 % / - 15 % via Input- or output path / FE
84 g
120 mm (with catch lever) 128 mm x 11,5 mm x 76 mm

Ordering data

Module variants
Potential distribution module

Type	Qty.	Order No.
UR20-16AUX-I	1	1334770000
UR20-16AUX-O	1	1334780000
UR20-16AUX-FE	1	1334790000
UR20-16AUX-GND-I	1	1334800000
UR20-16AUX-GND-O	1	1334810000

Accessories

Coding elements
Termination kit
Swivel marker
Connection marker for pusher custom printing
Connection marker for pusher neutral
Module marker for custom printing
Module marker for neutral
Thermotransfer version (Material: Polyester)
Thermotransfer version (Material: Polyester)
Paper version for Laserprinter
USB cable (USB A to Micro USB)

Type	Qty.	Order No.
KOSM BHZ5.00	100	1483050000
UR20-EBK-ACC	5	1346610000
UR20-SM-ACC	20	1339920000
PM 2.7/2.6 MC SDR	192	1323700000
PM 2.7/2.6 MC NE WS	960	1323710000
DEK 5/8-11.5 MC SDR	100	1341610000
DEK 5/8-11.5 MC NE WS	500	1341630000
THM UR20 GE * ¹⁾	1	1429910000
THM UR20 WS * ¹⁾	1	1429420000
ESD UR20 DIN A4 WS * ²⁾	10	1429430000
IE-C6FP8LE0015M40M40-E	1	1487980000

Replacement parts

Electronics module
Basic module
Plug-in connector unit
Note

UR20-EM-1334770000-SP	1	1347450000
UR20-EM-1334780000-SP	1	1347470000
UR20-EM-1334790000-SP	1	1347480000
UR20-EM-1334800000-SP	1	1347490000
UR20-EM-1334810000-SP	1	1347500000
UR20-BM-SP	5	1350930000
UR20-PK-1334770000-SP	5	1346450000
UR20-PK-1334790000-SP	5	1346490000
UR20-PK-1334800000-SP	5	1346470000
UR20-PK-1334780000-SP	5	1484080000
UR20-PK-1334810000-SP	5	1484090000

*¹⁾ 1 roll = 1000 label = 1 Qty.
*²⁾ 1 sheet = 60 label = 1 Qty.

Product standard	IEC 61131-2
EMC	EN 61000
ATEX	EN 60079
UL	UL 508
MSIP	MSIP-REM-WMG-1334770000
MSIP	MSIP-REM-WMG-1334780000
MSIP	MSIP-REM-WMG-1334790000
MSIP	MSIP-REM-WMG-1334800000
MSIP	MSIP-REM-WMG-1334810000

16AUX-I



Let's connect.

16AUX-O



Let's connect.

16AUX-FE



Let's connect.

16AUX-GND-I

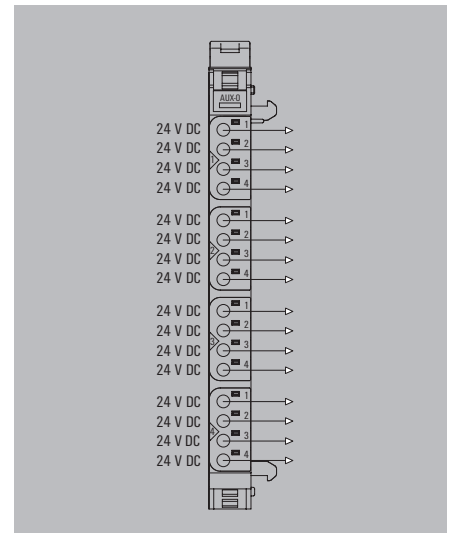


Let's connect.

16AUX GND-O



Let's connect.



Technical data

Machinery

Process

Energy

Transportation

Device
Manufacturers

Empty module

- Forwarding of system bus and voltage paths
- Space for subsequent expansion
- Basis for all I/O modules

UR20-ES



Technical data

General data	
Weight	70 g
Dimensions (H/W/D)	120 mm (with catch lever 128 mm) x 11,5 mm x 76 mm

Ordering data

Module variants	Type	Qty.	Order No.
Empty module	UR20-ES	1	1315770000

Accessories

	Type	Qty.	Order No.
Coding elements	KOSM BHZ5.00	100	1483050000
Termination kit	UR20-EBK-ACC	5	1346610000
Swivel marker	UR20-SM-ACC	20	1339920000
Connection marker for pusher custom printing	PM 2.7/2.6 MC SDR	192	1323700000
Connection marker for pusher neutral	PM 2.7/2.6 MC NE WS	960	1323710000
Module marker for custom printing	DEK 5/8-11.5 MC SDR	100	1341610000
Module marker for neutral	DEK 5/8-11.5 MC NE WS	500	1341630000
Thermotransfer version (Material: Polyester)	THM UR20 GE * ¹⁾	1	1429910000
Thermotransfer version (Material: Polyester)	THM UR20 WS * ¹⁾	1	1429420000
Paper version for Laserprinter	ESD UR20 DIN A4 WS * ²⁾	10	1429430000
Replacement parts			
Electronics module	UR20-EM-1315770000-SP	1	1347370000
Basic module	UR20-BM-SP	5	1350930000
Plug-in connector unit	UR20-PK-1315770000-SP	5	1346510000
Note	* ¹⁾ 1 roll = 1000 label = 1 Qty. * ²⁾ 1 sheet = 60 label = 1 Qty.		

Product standard	IEC 61131-2
EMC	EN 61000
ATEX	EN 60079
UL	UL 508
MSIP	MSIP-REM-WMG-1315770000



Let's connect.

Termination kit

- Includes an end plate and two end brackets

UR20-EBK



Ordering data

Module variants	Type	Qty.	Order No.
Termination kit	UR20-EBK-ACC	5	1346610000



Device
Manufacturers



Transportation



Energy



Process



Machinery

Technical data

Bus termination terminal

- Electrical termination of the CH20M rail bus of an ACT20C station
- Acts as a mechanical end bracket at the same time

ACT20C-LBT-10



Technical data

Humidity
Ambient temperature

5...95 %, no condensation
-25 °C...+60 °C

General data

Tightening torque, min.
Tightening torque, max.
Mounting rail

1.2 Nm
2.4 Nm
TS 35

Dimensions

Depth / Width / Height

63 / 20.6 / 56

Note

Ordering data

Type	Qty.	Order No.
ACT20C-LBT-10	1	1510340000

Note

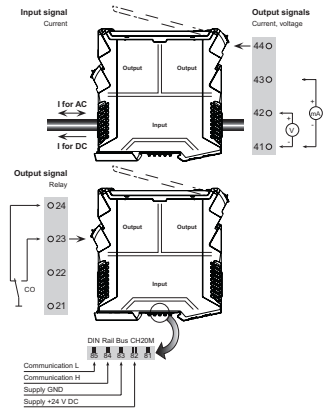
Accessories

Note

Communicative current measuring transducer

- Measurement and monitoring of AC/DC current
- Input and output ranges are adjustable
- Contact-free through-hole technology
- Relay output for limit value alarm with switching threshold, delay, hysteresis
- Monitoring/configuration via ACT20C station/gateway

ACT20C-CMT



Technical data

Input

Input measurement range

Input signal

Input frequency

Output (analogue)

Output voltage [output analogue]

Output current [output analogue]

Load resistance current [output analogue]

Load resistance voltage [output analogue]

Output (digital)

Type

Rated switching current

Max. switching voltage, AC

General data

Configuration

Step response time

Temperature coefficient

Supply voltage

Insulation coordination

Rated voltage

EMC standards

Galvanic isolation

Test voltage

Impulse withstand voltage

Pollution degree

Overvoltage category

Dimensions

Clamping range (nominal / min. / max.)

Depth / Height / Width

Note

Ordering data

Input measurement range 0...5/10 A

Input measurement range 0...40/50/60 A

Note

Accessories

Note

Input

configurable, 0...5/10 A AC (RMS) or DC, 0...40/50/60 A AC (RMS) or DC

Current-carrying cable in feed-through hole, Diameter 10.5 mm
AC: 15...700 Hz

adjustable, 0...10 V, 2...10 V, 0...5 V, 1...5 V, -5...+5 V, -10...+10 V

adjustable, 0...20 mA, 4...20 mA, -20...+20 mA

≤ 600 Ω

≥ 10 kΩ

Relay, 1 CO contact, process alarms (4 times) with hysteresis, with alarm delay (configurable) 0...180 s

6 A

250 V

With FDT/DTM software, via gateway (ACT20C-GTW-100-MTCP-S), Addressing via DIP switches

< 300 ms

≤ 200 ppm/K

16,8 V...31,2 V, via the system bus

300 V AC_{max}

IEC 61326-1:2012

4-way isolator, between input / output / supply / relay

4 kV

6.4 kV (1.2/50 μs)

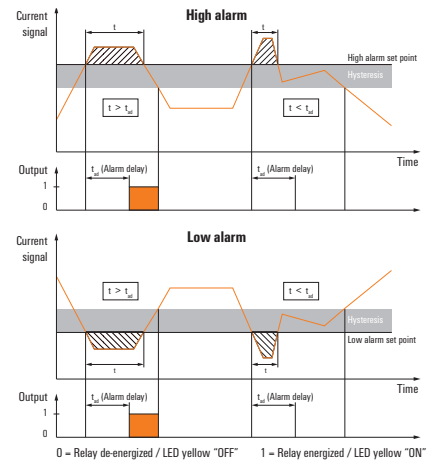
2

III

2.5 / 0.5 / 2.5

113.6 / 117.2 / 22.5 mm

Type	Qty.	Order No.
ACT20C-CMT-10-AD-RC-S	1	1510240000
ACT20C-CMT-60-AD-RC-S	1	1510420000



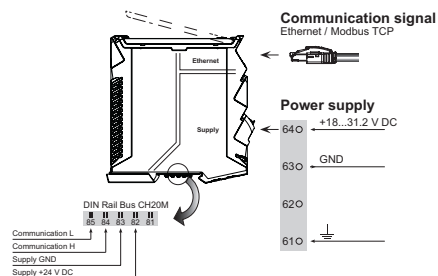
User address	DIP switch S1					
	1	2	3	4	5	6
2						
3						
4						
5						
6						
7						
8						
...						
16						
...						
32						
33						

■ = ON

Gateway for ACT20C station

- Access to all data from the devices connected to an ACT20C station
- RJ45 port with Ethernet TCP/IP
- Configuration by means of the FDT/DTM standard
- Station management with "Plug & Produce" and "Hot Swapping"

ACT20C-GTW-100-MTCP-S



Technical data

Communication

Addressing
Configuration
RJ45 ports
Interface

DHCP or manual adjustment
With FDT/DTM software, DHCP
10/100BaseT(X), auto negotiation
Ethernet 10/100 Base T, Jack plug for CBX200, Communication via CH20M rail bus with all current measuring transducers (ACT20C-CMT-x)

General data

Configuration
Power consumption, max.
Supply voltage

With FDT/DTM software, DHCP
2.2 W
16,8 V...31,2 V

Insulation coordination

Rated voltage / test voltage: Ethernet interface to supply / functional earth to supply / Ethernet interface
Standards

30 V AC RMS
IEC 61010-1, IEC 61010-2-201:2013, 1st Edition, IEC 61326-1:2012

Test voltage
Impulse withstand voltage
Pollution degree
Overvoltage category

1.1 kV
0,5 kV (1.2/50 µs)
2
II

Dimensions

Clamping range (nominal / min. / max.)
Depth / Height / Width

2.5 / 0.5 / 2.5
113.6 / 117.2 / 22.5 mm

Note

Ordering data

Type	Qty.	Order No.
ACT20C-GTW-100-MTCP-S	1	1510370000

Note

Accessories

Note



Device
Manufacturers



Transportation



Energy



Process



Machinery

Technical data

Technical data

Machinery

Process

Energy

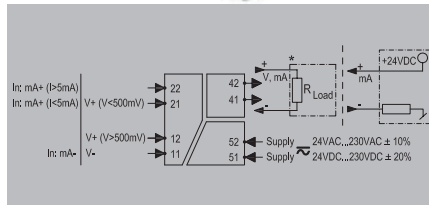
Transportation

Device Manufacturers

Universal DC isolation amplifier

- Universally configurable input and output for voltage/ current
- Active or passive output
- Universal voltage supply 24..230 V AC/DC
- 3-way isolation
- Convenient configuration on the device with DIP switches or by means of clear-text display + buttons, without reference source.

ACT20P-PRO DCDC II-S



Technical data

Input	
Input voltage	configurable, ±20 mV...±300 V
Input current	configurable, ± 0.1 mA...± 100 mA
Input resistance, current	< 5 mA: approx. 100 Ω; >5 mA: approx. 5 Ω
Input resistance, voltage	approx. 1 MΩ
Output	
Output voltage	adjustable, 0...±10 V
Output current	adjustable, 0...±20 mA
load impedance voltage	≥ 1 kΩ
load impedance current	≤ 600 Ω
Offset voltage	< 10 mV
Cut-off frequency (-3 dB)	> 10 kHz/ < 10 Hz
General data	
Galvanic isolation	3-way isolator, between input/output/supply/relay
Accuracy	< 0.05 % of measuring range
Temperature coefficient	≤ 0,01 % des Messbereichs°C
Configuration	DIP switch, or via display and push-buttons
Power consumption	≤ 2,3 W
Step response time	≤ 50 ms, ≤ 50 μs
Supply voltage	24...230 V DC ± 20 %, 24...230 V AC ± 10 % @ 48...62 Hz
Insulation coordination	
Rated voltage	600 V
Standards	EN 60079-0, EN 60079-15, EN 61010-1:2011, EN 61140, EN 61326-1, UL 61010-1, SN29500 for MTBF
Insulation voltage	4 kV _{eff} , input/output/power supply
Impulse withstand voltage	5 kV (1.2/50 μs)
Pollution degree	2
Overtension category	II

Dimensions
Clamping range (nominal / min. / max.)
Length x width x height
Note

Screw connection
2.5 / 0.5 / 2.5
/ 12.5 / 117.2

Ordering data

Type	Qty.	Order No.
ACT20P-PRO DCDC II-S	1	1481970000

Note

Accessories

Note



Device
Manufacturers



Transportation



Energy



Process



Machinery

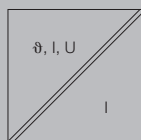
Technical data

Universal measurement and signal isolator-converter

Output-loop powered

- Universal isolator for intrinsically safe RTD signals, thermal sensor signals, resistor signals, potentiometer signals and DC signals (mA,V)
- Supply via output loop
- 12.5 mm thin housing
- PC configuration with FDT/DTM software, download at www.weidmueller.com

ACT20X-HUI-SA0-LP-S



Technical data

Input	
Type	
Temperature input range	
Input current	
Input voltage	

Potentiometer	
Input resistance, voltage/current	

Output analogue	
Output current	
load impedance current	
Residual ripple (current loop)	
Accuracy	
Temperature coefficient	
Step response time	
Cut-off frequency (-3 dB)	

General data	
Supply voltage	
Tightening torque, min. / Tightening torque, max.	
Ambient temperature / Storage temperature	

Approvals	
Approvals	

Insulation coordination	
Insulation voltage / Rated voltage	
Rated voltage	
Standards	

Impulse withstand voltage	
Overvoltage category	
Pollution degree	

Dimensions	
Clamping range (nominal / min. / max.)	mm ²
Depth / Width / Height	

Note	

intrinsically safe circuit
Adjustable from -200...+800°C
configurable, ± 25 mA, 0...20 mA, 4...20mA
configurable, ± 12 V DC (min. measurement range 1 V), ± 28 V DC (min. measurement range 2 V), ± 600 mV DC (min. measurement range 50 mV), ± 150 mV DC (min. measurement range 15 mV)
10 Ω...10 kΩ
> 10 MΩ @ 600 mV, 2 MΩ @ 28 V / 70 Ω

4...20 mA (max. 23 mA)
≤ 700 Ω
≤ 10 mV _{ss}
< 0.1 % of end value
< 0.02 °C of measuring range / °C
< 400 ms (10...90 %)
100 Hz

via output current loop, 11...28 V DC (loop powered)
0.4 Nm / 0.6 Nm
0 °C...60 °C / -20 °C...70 °C

CE, EAC, GOSTEX

3.51 kV between input and output / 300 V _{eff}
300 V _{eff}
DIN EN 61326-1, IEC 61010-1, IEC 61010-2-030, IEC 60079-0, IEC 60079-11, IEC 60079-15, IEC 60079-26

4 kV (1.2/50 μs)
III
2

Screw connection, Removable terminal block	
2.5 / 0.5 / 2.5	
113.6 / 12.5 / 117.2	

Inputs					
Type	Thermocouples (TC), RTD, mA, Volt, mV, resistor, potentiometer				
Type	Standard	Lower limit	Upper limit	Min. area	

B		100 °C	1820 °C	400 °C	
E	IEC584	-270 °C	1000 °C	80 °C	
J		-270 °C	1200 °C		
K		-270 °C	1372 °C		
L	DIN43710	-100 °C	900 °C		
N	IEC584	-180 °C	1300 °C	100 °C	
R, S		-50 °C	1768 °C	300 °C	
T		-270 °C	400 °C	80 °C	
U	DIN43710	-200 °C	600 °C	100 °C	
User-defined Input	Up to 101 values				

Error detection	Upper error signalling value: 23 mA, Lower error signalling value: 3.5 mA				
-----------------	--	--	--	--	--

mA	±25 mA @ 70 Ω		4 mA		
Volt	±28 V @ 2 MΩ		2.0 V		
	±12 V @ 2 MΩ		1.0 V		
mV	±600 mV @ >10 MΩ		50 mV		
	±150 mV @ >10 MΩ		15 mV		

Type	Standard	Lower limit	Upper limit	Min. area	
Pt100,	DIN43710	-200 °C	850 °C	-20 °C	
Pt200					
Pt1000					
Ni120		-80 °C	320 °C	15 °C	
Cu10		-100 °C	260 °C	100 °C	
User-defined Input	Up to 101 values				

Resistance	0 to 12 kΩ		500 Ω		
	0 to 15 kΩ		100 Ω		
	0 to 750 Ω		50 Ω		
Potentiometer	1.2 kΩ to 500 kΩ				

Ordering data

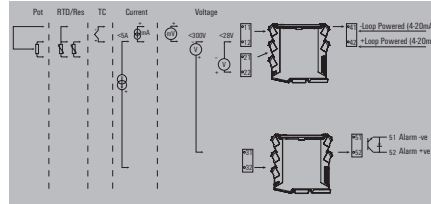
Type	Qty.	Order No.
1-channel version		
ACT20X-HUI-SA0-LP-S	1	1318220000

CBX200 USB configuration adapter - 8978580000

Universal converter with digital output

- Independent of external supply thanks to output loop-powered supply
- All-purpose usage thanks to versatile input functions
- Simple software configuration
- Digital output for versatile limit value setting

ACT20P-UI-A0-DO-LP-S



Technical data

Input

Sensor
Input voltage
Input current
Potentiometer

Output

Type
Output current
load impedance current

Output (digital)

Type
Rated switching voltage
Rated switching current

General data

Galvanic isolation
Accuracy
Configuration

Step response time
Supply voltage

Insulation coordination

Rated voltage
Standards
Insulation voltage
Impulse withstand voltage
Pollution degree
Overvoltage category

Input

PT100 / 2-/3-/4-wire, PT1000/2-/3-/4-wire, PT200, N120, Thermocouples: B, E, J, K, L, N, R, S, T, U, Potentiometer
configurable, ± 300 V DC (min. measurement range 100 V), 0...300 V AC (min. measurement range 100 V)
configurable, ± 5 A DC (min. measurement range 0.5 A)
1.2...500 kΩ

Output

Output-loop powered
4...20 mA, 20...4 mA, Current loop
typ. 700 Ω @ 24 V DC

Output (digital)

Transistor, open collector
≤ 30 V DC
20 mA

General data

2-way isolator, between input/output
< 0.1 % of measuring range
Using free Windows software, Limit value monitoring for overcurrent or undercurrent through relay, directly or inversely with adjustable switching threshold, time lag, hysteresis

450 ms
Output loop powered, (10...45 V)

Insulation coordination

300 V_{eff}
DIN EN 61326-1, DIN EN 61010-1
3.51 kV between input and output
4 kV (1.2/50 μs)
2
III

Dimensions

Clamping range (nominal / min. / max.)
Depth / Width / Height

Note

Screw connection

2.5 / 0.5 / 2.5
113.6 / 12.5 / 119.2 mm

Ordering data

Type	Qty.	Order No.
ACT20P-UI-A0-DO-LP-S	1	1453210000

Note

CBX200 USB configuration adapter - 8978580000

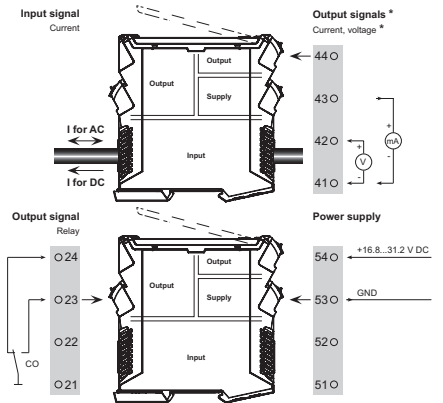
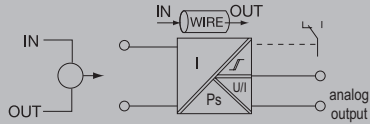
Accessories

Note

Current measuring transducer

- Measuring and monitoring of AC/DC current
- Input/output electrically isolated
- Input and output ranges are adjustable
- Contact-free through-hole technology
- Relay output for limit value alarm with switching threshold, delay, hysteresis

ACT20P-CMT



Technical data

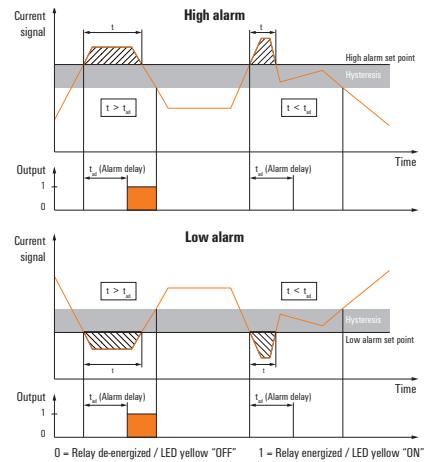
Input	
Input measurement range	0...1/5/10 A AC (RMS) or DC, 0...20/25/30 A AC (RMS) or DC, 0...40/50/60 A AC (RMS) or DC
Input signal	Current-carrying cable in feed-through hole, Diameter 10.5 mm
Input frequency	AC: 15...700 Hz
Output (analogue)	
Output voltage [output analogue]	adjustable, 0...10 V, 2...10 V, 0...5 V, 1...5 V, -5...+5 V, -10...+10 V
Output current [output analogue]	adjustable, 0...20 mA, 4...20 mA, -20...+20 mA
Load resistance voltage [output analogue]	≥ 10 kΩ
Load resistance current [output analogue]	≤ 600 Ω
Output (digital)	
Type	Relay, 1 CO contact, Open or closed-circuit principle, with alarm delay time (configurable) 0 s / 2 s / 5 s / 10 s
Rated switching current	6 A
Max. switching voltage, AC	250 V
General data	
Galvanic isolation	4-way isolator, between input/output/supply/relay
Accuracy	< 0.5 % of end value
Configuration	DIP switch and potentiometer, for thresholds (overcurrent / undercurrent), delay and hysteresis
Step response time	< 220 ms (10...90 %)
Temperature coefficient	≤ 200 ppm/K
Supply voltage	18...30 V DC
Insulation coordination	
Rated voltage	300 V AC _{rms}
Standards	IEC 61010-1:2010, 3rd Edition, IEC 61010-2:2013, 1st Edition, EN 61326-1
Impulse withstand voltage	6.4 kV (1.2/50 μs)
Test voltage	4 kV
Pollution degree	2
Overvoltage category	III
Dimensions	
Clamping range (nominal / min. / max.)	1.5 / 0.5 / 2.5
Depth / Width / Height	113.6 / 22.5 / 117.2
Note	

Ordering data

Type	Qty.	Order No.
ACT20P-CMT-10-AD-RC-S	1	1510470000
ACT20P-CMT-30-AD-RC-S	1	1510540000
ACT20P-CMT-60-AD-RC-S	1	1510440000

Accessories

Note	
-------------	--



DIP switch S1		DIP switch S2	
Current input range	1 2 3 4 5 6 7 8	Output range	1 2 3 4 5 6 7 8
0...5 A	1) <input type="checkbox"/>	0...10 V	<input type="checkbox"/>
0...10 A	<input type="checkbox"/>	2...10 V	<input type="checkbox"/>
0...20 A	<input type="checkbox"/>	0...5 V	<input type="checkbox"/>
0...25 A	2) <input type="checkbox"/>	1...5 V	<input type="checkbox"/>
0...30 A	<input type="checkbox"/>	-5...+5 V	<input type="checkbox"/>
0...40 A	<input type="checkbox"/>	-10...+10 V	<input type="checkbox"/>
0...50 A	3) <input type="checkbox"/>	0...20 mA	<input type="checkbox"/>
0...60 A	<input type="checkbox"/>	4...20 mA	<input type="checkbox"/>
		-20...+20 mA	<input type="checkbox"/>
Measuring method	1 2 3 4 5 6 7 8	Alarm relay action	1 2 3 4 5 6 7 8
True RMS	<input type="checkbox"/>	Energized	<input type="checkbox"/>
Arithmetic average	<input type="checkbox"/>	De-energized	<input type="checkbox"/>
Alarm delay time	1 2 3 4 5 6 7 8	Alarm hysteresis	1 2 3 4 5 6 7 8
0 s	<input type="checkbox"/>	5 %	<input type="checkbox"/>
2 s	<input type="checkbox"/>	10 %	<input type="checkbox"/>
5 s	<input type="checkbox"/>		
10 s	<input type="checkbox"/>	Alarm type	1 2 3 4 5 6 7 8
		High alarm	<input type="checkbox"/>
		Low alarm	<input type="checkbox"/>
Measuring range monitoring	1 2 3 4 5 6 7 8		
Yes	<input type="checkbox"/>		
No	<input type="checkbox"/>		
Output error action	1 2 3 4 5 6 7 8		
Upscale	<input type="checkbox"/>		
Downscale	<input type="checkbox"/>		
Transfer function	1 2 3 4 5 6 7 8		
Normal	<input type="checkbox"/>		
Inverse	<input type="checkbox"/>		

■ = ON
 1) ACT20P-CMT-10-AD-RC-S
 2) ACT20P-CMT-30-AD-RC-S
 3) ACT20P-CMT-60-AD-RC-S



Device
Manufacturers



Transportation



Energy



Process



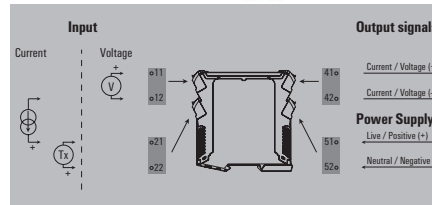
Machinery

Technical data

Signal converter

- Isolation and conversion of DC signals
- 24 V - sensor supply
- Configuration via DIP switch/button
- Supply 12-60 V DC
- 3-way isolation

ACT20P-AI-AO-DC-S



Technical data

Input
Input voltage
Input current
Input resistance, current
Input resistance, voltage
Sensor supply
Output
Output voltage
Output current
load impedance voltage
load impedance current
Offset voltage
General data
Galvanic isolation
Linearity
Temperature coefficient
Configuration
Step response time
Supply voltage
Insulation coordination
Standards
Insulation voltage
Impulse withstand voltage
Overtoltage category

configurable, 0...11 V (min. measurement range 2V)
configurable, 0...22 mA (min. measurement range 4 mA)
100 Ω
≥ 1 MΩ
24 V DC
adjustable, 0...11 V, min. output range 2V
adjustable, 0...22 mA, min. output range 4 mA
≥ 500 kΩ
≤ 1kΩ
≤ 20 mV
3-way isolator, between input/output/supply
< ± 0.1 % of signal range, Typ. ± 0.05 % of signal range
< 0.05 % / °C
DIP switch, Keys and LED display
350 ms
12...60 V DC
IEC 61326-1:2012, UL 61010-1:2012, 3rd Edition
2 kV inputs / outputs
4 kV (1.2/50 μs)
III

Dimensions
Clamping range (nominal / min. / max.)
Depth / Height / Width
Note

Screw connection: pluggable
1.5 / 1 / 2.5
113.7 / 117.2 / 12.5 mm

Ordering data

Note

Type	Qty.	Order No.
ACT20P-AI-AO-DC-S	1	1477420000

Accessories

Note



Device
Manufacturers



Transportation



Energy



Process

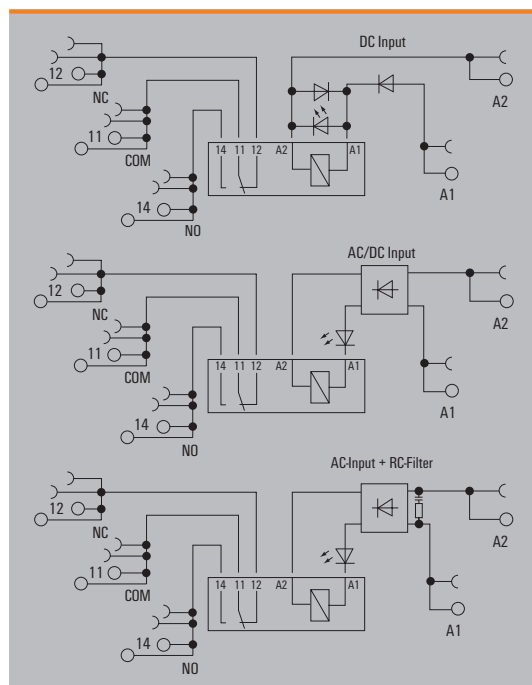
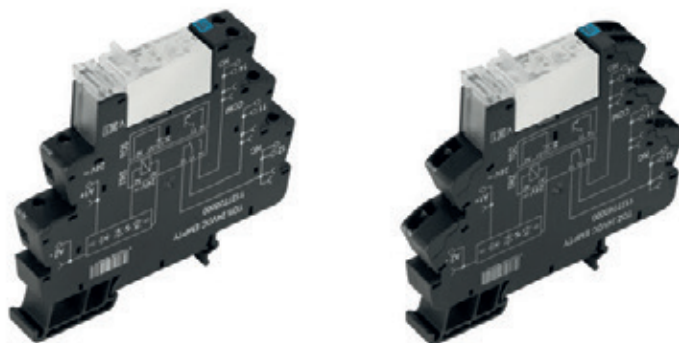


Machinery

Technical data

1 CO contact
AC / DC / UC coil

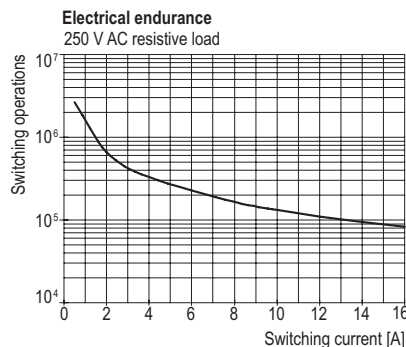
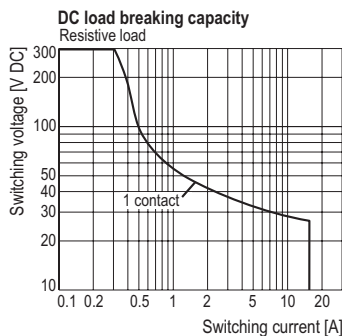
- Space-saving, 12.8 mm wide
- 16 A AgNi contact
- Internal cross-connection of the output terminals
- Screw and tension clamp connection



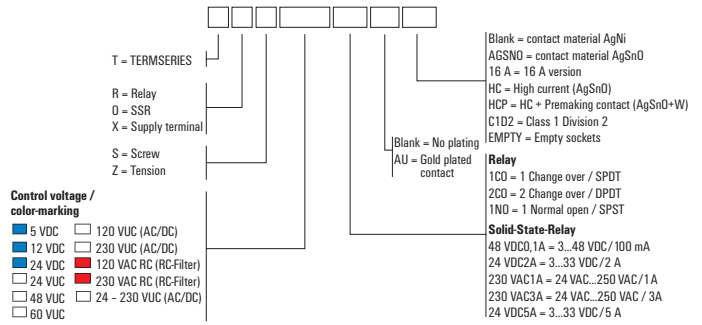
Technical data

Output			
Rated switching voltage / Continuous current	250 V AC / 16 A		
Max. switching voltage, AC	250 V		
Inrush current	30 A / 4 s		
Min. switching power	100 mA / 5 V, 10 V / 10 mA		
DC / AC Switching capacity (resistive), max.	384 W @ 24 V / 4000 VA		
Contact material	AgNi		
Mechanical service life	30 x 10 ⁶ switching cycles		
Max. switching frequency at rated load	0.1 Hz		
Rated data			
Ambient temperature (operational)	-40 °C...60 °C		
Storage temperature	-40 °C...85 °C		
Humidity	5-95% rel. humidity, T _n = 40°C, no condensation		
Approvals	CE		
Insulation coordination (EN 50178)			
Rated voltage	300 V		
Impulse withstand voltage	6 kV (1.2/50 µs)		
Dielectric strength input - output	1.2 kV _{eff} / 5 s		
Dielectric strength, contact / contact			
Dielectric strength to mounting rail	4 kV _{eff} / 1 min.		
Creepage and clearance distance input - output	≥ 5.5 mm		
Overvoltage category	III		
Pollution degree	2		
Dimensions			
Clamping range (nominal / min. / max.)	mm ²	Screw connection	Tension clamp connection
		1.5 / 0.14 / 2.5	1.5 / 0.14 / 2.5
Depth x width x height	mm	88 / 12.8 / 90	
Note			

Applications



1 CO contact
AC / DC / UC coil



Ordering data

	5 V DC	12 V DC	24 V DC	24 V UC	48 V UC
Input					
Rated control voltage	5 V DC ±20 %	12 V DC ±20 %	24 V DC ±20 %	24 V UC ±10 %	48 V UC ±10 %
Rated current AC / DC	/ 80 mA	/ 33.3 mA	/ 20 mA	16 mA / 14 mA	9 mA / 7 mA
Power rating	400 mW	420 mW	480 mW	390 mVA / 350 mW	340 mW / 0.4 VA
Pull-in/drop-out voltage, typ.	3 V / 1.6 V DC	8 V / 3 V DC	18 V / 3.5 V DC	16 V / 9 V AC 18 V / 8 V DC	29 V / 11 V AC 33 V / 11 V DC
Pull-in/drop-out current, typ.	21.6 mA / 8 mA DC	21 mA / 5 mA DC	10 mA / 3 mA DC	11 mA / 4 mA AC 10 mA / 2 mA DC	6 mA / 3 mA AC 5 mA / 1.5 mA DC
Status indicator	Green LED	Green LED	Green LED	Green LED	Green LED
Protective circuit	Integrated free-wheel diode, Reverse polarity protection	Integrated free-wheel diode, Reverse polarity protection	Integrated free-wheel diode, Reverse polarity protection	Rectifier	Rectifier
Output					
Switch-on delay	< 11 ms	< 11 ms	< 11 ms	< 11 ms	< 11 ms
Switch-off delay	< 7 ms	< 8 ms	< 10 ms	< 7 ms	< 7 ms

Ordering data

Screw connection	Type	TRS 5VDC 1CO 16A	TRS 12VDC 1CO 16A	TRS 24VDC 1CO 16A	TRS 24VUC 1CO 16A	TRS 48VUC 1CO 16A
	Order No.	1479650000	1479670000	1479680000	1479690000	1479700000
Tension clamp conn.	Type	TRZ 5VDC 1CO 16A	TRZ 12VDC 1CO 16A	TRZ 24VDC 1CO 16A	TRZ 24VUC 1CO 16A	TRZ 48VUC 1CO 16A
	Order No.	1479800000	1479820000	1479840000	1479850000	1479870000
Note						

Ordering data

	60 V UC	120 V UC	230 V UC	120 V AC RC	230 V AC RC
Input					
Rated control voltage	60 V UC ±10 %	120 V UC ±10 %	230 V UC ±5 %	120 V AC ±10 %	230 V AC ±5 %
Rated current AC / DC	8 mA / 6.1 mA	3.5 mA / 3.5 mA	4 mA / 4 mA	5.5 mA /	10 mA /
Power rating	480 mVA / 360 mW	420 mVA / 420 mW	920 mVA / 920 mW	0.73 VA	2.3 VA
Pull-in/drop-out voltage, typ.	36 V / 13 V AC 40 V / 14 V DC	64 V / 26 V AC 69 V / 22 V DC	112 V / 43 V AC 129 V / 36 V DC	65 V / 23 V AC	112 V / 45 V AC
Pull-in/drop-out current, typ.	5 mA / 2.5 mA AC 4 mA / 1.2 mA DC	2 mA / 1 mA AC 2 mA / 1 mA DC	2 mA / 1 mA AC 2 mA / 1 mA DC	3.5 mA / 1 mA AC	5 mA / 2 mA AC
Status indicator	Green LED	Green LED	Green LED	Green LED	Green LED
Protective circuit	Rectifier	Rectifier	Rectifier	Rectifier	Rectifier
Output					
Switch-on delay	< 11 ms	< 11 ms	< 14 ms	< 11 ms	< 14 ms
Switch-off delay	< 7 ms	< 7 ms	< 22 ms	< 7 ms	< 12 ms

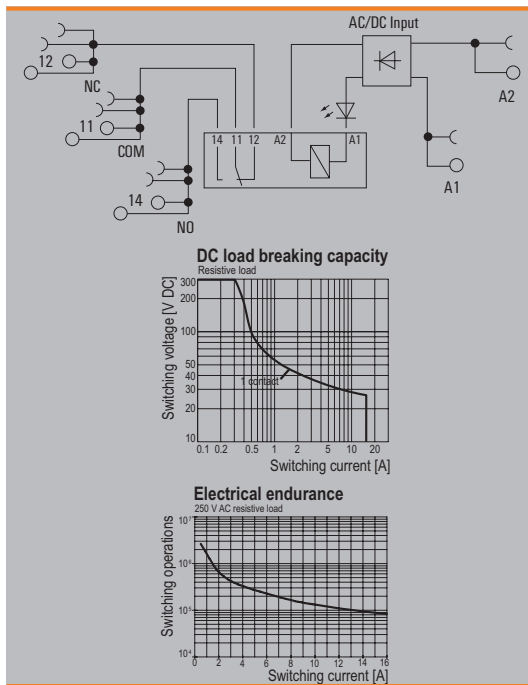
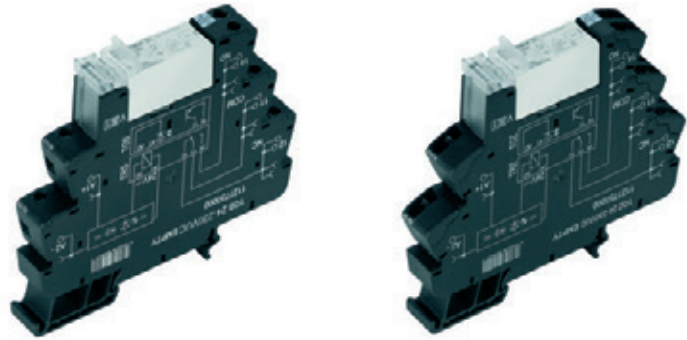
Ordering data

Screw connection	Type	TRS 60VUC 1CO 16A	TRS 120VUC 1CO 16A	TRS 230VUC 1CO 16A	TRS 120VAC RC 1CO 16A	TRS 230VAC RC 1CO 16A
	Order No.	1479710000	1479730000	1479740000	1479750000	1479760000
Tension clamp conn.	Type	TRZ 60VUC 1CO 16A	TRZ 120VUC 1CO 16A	TRZ 230VUC 1CO 16A	TRZ 120VAC RC 1CO 16A	TRZ 230VAC RC 1CO 16A
	Order No.	1479880000	1479890000	1479900000	1479910000	1479920000
Note						

1 CO contact

Multi-voltage input

- Space-saving, 12.8 mm wide
- 16 A AgNi contact
- Internal cross-connection of the output terminals
- Screw and tension clamp connection
- Multi-voltage input: 24...230 V UC in one module



Technical data

Output			
Rated switching voltage / Continuous current	250 V AC / 16 A		
Max. switching voltage, AC	250 V		
Inrush current	30 A / 4 s		
Min. switching power	100 mA / 5 V, 10 V / 10 mA		
DC / AC Switching capacity (resistive), max.	384 W @ 24 V / 4000 VA		
Contact material	AgNi		
Mechanical service life	30 x 10 ⁶ switching cycles		
Max. switching frequency at rated load	0.1 Hz		
Rated data			
Ambient temperature (operational)	-40 °C...60 °C		
Storage temperature	-40 °C...85 °C		
Humidity	5-95% rel. humidity, T _n = 40°C, no condensation		
Approvals	CE		
Insulation coordination (EN 50178)			
Rated voltage	300 V		
Impulse withstand voltage	6 kV (1.2/50 µs)		
Dielectric strength input - output	1.2 kV _{eff} / 5 s		
Dielectric strength, contact / contact			
Dielectric strength to mounting rail	4 kV _{eff} / 1 min.		
Creepage and clearance distance input - output	≥ 5.5 mm		
Overvoltage category	III		
Pollution degree	2		
Dimensions		Screw connection	Tension clamp connection
Clamping range (nominal / min. / max.)	mm ²	1.5 / 0.14 / 2.5	1.5 / 0.14 / 2.5
Depth x width x height	mm	88 / 12.8 / 90	88 / 12.8 / 90
Note			

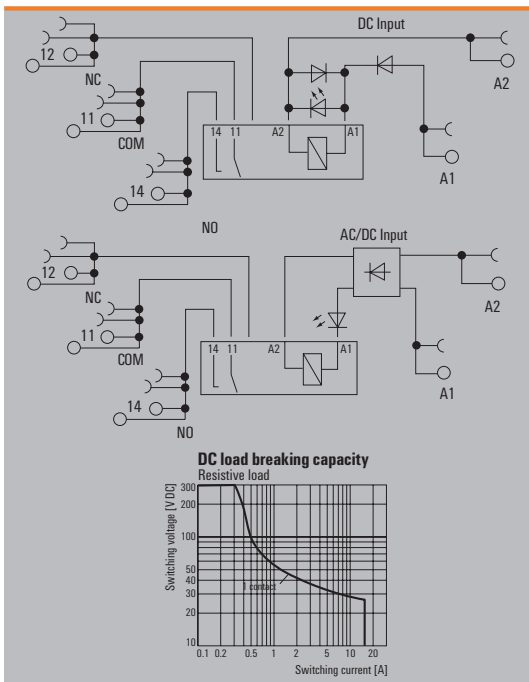
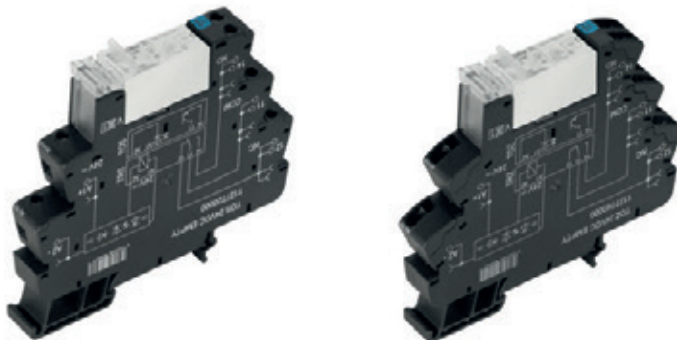
Ordering data

24 V - 230 V UC	
Input	
Rated control voltage	24...230 V UC ±10 %
Rated current AC / DC	6 mA @ 230 V UC / 45 mA @ 24 VUC
Power rating	1.08 W @ 24 V UC, 1.38 W @ 230 V UC
Pull-in/drop-out voltage, typ.	16 V / 6 V AC 16 V / 5 V DC
Pull-in/drop-out current, typ.	
Status indicator	Green LED
Protective circuit	Rectifier
Output	
Switch-on delay	< 22 ms
Switch-off delay	< 125 ms

Ordering data	
Screw connection	Type TRS 24-230VUC 1CO 16A
Order No.	1479770000
Tension clamp conn.	Type TRZ 24-230VUC 1CO 16A
Order No.	1479930000
Note	

1 NO contact, Inrush Power HC

- Space-saving, 12.8 mm wide
- 16 A AgSnO contact
- Internal cross-connection of the output terminals
- Especially for inductive loads
- Screw and tension clamp connection
- Multi-voltage input: 24...230 V UC in one module



Technical data

Output			
Rated switching voltage / Continuous current	250 V AC / 16 A		
Max. switching voltage, AC	250 V		
Inrush current	80 A / 20 ms		
Min. switching power	1 W		
DC / AC Switching capacity (resistive), max.	384 W @ 24 V / 4000 VA		
Contact material	AgSnO		
Mechanical service life	10 x 10 ⁶ switching cycles		
Max. switching frequency at rated load	0.1 Hz		
Rated data			
Ambient temperature (operational)	-40 °C...60 °C		
Storage temperature	-40 °C...85 °C		
Humidity	5-95% rel. humidity, T _n = 40°C, no condensation		
Approvals	CE		
Insulation coordination (EN 50178)			
Rated voltage	300 V		
Impulse withstand voltage	6 kV (1.2/50 µs)		
Dielectric strength input - output	1.2 kV _{eff} / 5 s		
Dielectric strength, contact / contact			
Dielectric strength to mounting rail	4 kV _{eff} / 1 min.		
Creepage and clearance distance input - output	≥ 5.5 mm		
Overvoltage category	III		
Pollution degree	2		
Dimensions			
Clamping range (nominal / min. / max.)	mm ²	Screw connection 1.5 / 0.14 / 2.5	Tension clamp connection 1.5 / 0.14 / 2.5
	mm	88 / 12.8 / 90	88 / 12.8 / 90
Depth x width x height	mm	88 / 12.8 / 90	
Note			

Ordering data

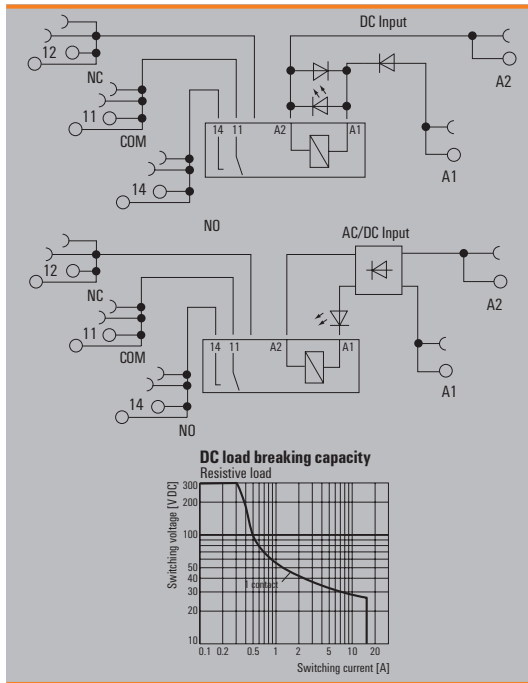
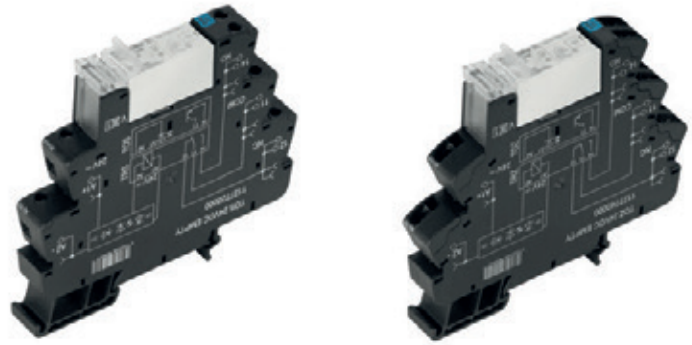
	24 V DC	24 - 230 V UC
Input		
Rated control voltage	24 V DC ±20 %	24...230 V UC ±10 %
Rated current AC / DC	/ 20 mA	6 mA @ 230 V UC / 45 mA @ 24 VUC
Power rating	480 mW	1.08 W @ 24 V UC, 1.38 W @ 230 V UC
Pull-in/drop-out voltage, typ.	18 V / 3.5 V DC	16 V / 6 V AC 16 V / 5 V DC
Pull-in/drop-out current, typ.		
Status indicator	Green LED	Green LED
Protective circuit	Integrated free-wheel diode, Reverse polarity protection	Rectifier
Output		
Switch-on delay	≤ 10 ms	< 22 ms
Switch-off delay	< 10 ms	< 125 ms

Ordering data			
Screw connection	Type	TRS 24VDC 1NO HC	TRS 24-230VUC 1NO HC
	Order No.	1479780000	1479790000
Tension clamp conn.	Type	TRZ 24VDC 1NO HC	TRZ 24-230VUC 1NO HC
	Order No.	1479940000	1479950000
Note			



1 NO contact, Inrush Power HCP

- Space-saving, only 12.8 mm wide
- 16 A AgSnO contact + leading tungsten contact
- Internal cross-connection of the output terminals
- Especially for capacitive loads
- Screw and tension clamp connection
- Multi-voltage input: 24-230 V UC in one module



Technical data

Output		
Rated switching voltage / Continuous current	250 V AC / 16 A	
Max. switching voltage, AC	250 V	
Inrush current	165 A / 20 ms, 800 A / 200 µs	
Min. switching power	1 W	
DC / AC Switching capacity (resistive), max.	384 W @ 24 V / 4000 VA	
Contact material	AgSnO2 + W	
Mechanical service life	5 x 10 ⁶ switching cycles	
Max. switching frequency at rated load	0.1 Hz	
Rated data		
Ambient temperature (operational)	-40 °C...60 °C	
Storage temperature	-40 °C...85 °C	
Humidity	5-95% rel. humidity, T _n = 40°C, no condensation	
Approvals	CE	
Insulation coordination (EN 50178)		
Rated voltage	300 V	
Impulse withstand voltage	6 kV (1.2/50 µs)	
Dielectric strength input - output	1.2 kV _{eff} / 5 s	
Dielectric strength, contact / contact		
Dielectric strength to mounting rail	4 kV _{eff} / 1 min.	
Creepage and clearance distance input - output	≥ 5.5 mm	
Overvoltage category	III	
Pollution degree	2	
Dimensions		Screw connection
Clamping range (nominal / min. / max.)	mm ²	1.5 / 0.14 / 2.5
Depth x width x height	mm	88 / 12.8 / 90
		Tension clamp connection
		1.5 / 0.14 / 2.5
		88 / 12.8 / 90
Note		

Ordering data

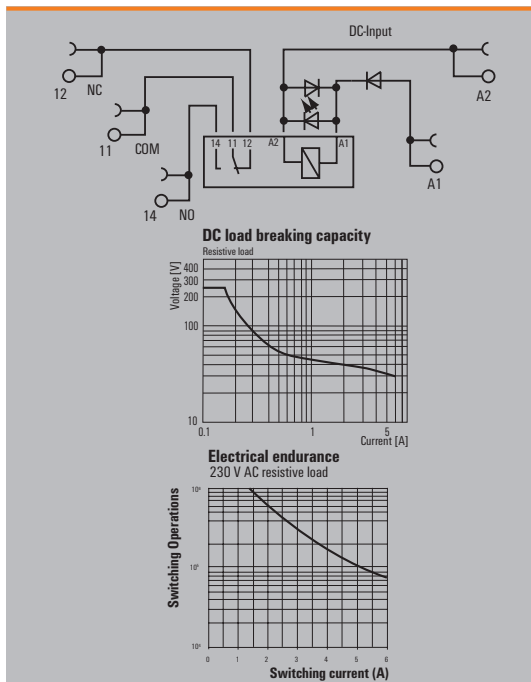
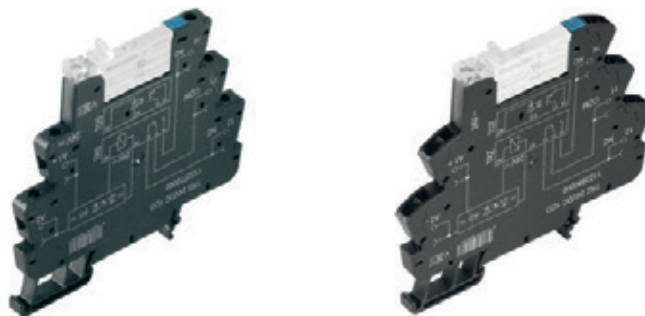
	24 V DC	24 V - 230 V UC
Input		
Rated control voltage	24 V DC ±20 %	24...230 V UC ±10 %
Rated current AC / DC	/ 20 mA	6 mA @ 230 V UC / 45 mA @ 24 VUC
Power rating	480 mW	1.08 W @ 24 V UC, 1.38 W @ 230 V UC
Pull-in/drop-out voltage, typ.	18 V / 3.5 V DC	16 V / 6 V AC 16 V / 5 V DC
Pull-in/drop-out current, typ.		
Status indicator	Green LED	Green LED
Protective circuit	Integrated free-wheel diode, Reverse polarity protection	Rectifier
Output		
Switch-on delay	≤ 10 ms	< 22 ms
Switch-off delay	< 10 ms	< 125 ms

Ordering data

Screw connection	Type	TRS 24VDC 1NO HCP	TRS 24-230VUC 1NO HCP
	Order No.	1479810000	1479830000
Tension clamp conn.	Type	TRZ 24VDC 1NO HCP	TRZ 24-230VUC 1NO HCP
	Order No.	1479970000	1479980000
Note			

1 CO contact (AgSnO)

- Space-saving, only 6.4 mm wide
- AgSnO contact
- For capacitive and inductive loads
- Screw and tension clamp connection



Technical data

Output		
Rated switching voltage / Continuous current	250 V AC / 6 A	
Max. switching voltage, AC	250 V	
Inrush current	30 A / 20 ms	
Min. switching power	12 V / 100 mA	
DC / AC Switching capacity (resistive), max.	144 W @ 24 V / 1500 VA	
Contact material	AgSnO	
Mechanical service life	5 x 10 ⁶ switching cycles	
Max. switching frequency at rated load	0.1 Hz	
Rated data		
Ambient temperature (operational)	-40 °C...60 °C	
Storage temperature	-40 °C...85 °C	
Humidity	5-95% rel. humidity, T _n = 40°C, no condensation	
Approvals	CE	
Insulation coordination (EN 50178)		
Rated voltage	300 V	
Impulse withstand voltage	6 kV (1.2/50 µs)	
Dielectric strength input - output	4 kV _{eff} / 1 min.	
Dielectric strength, contact / contact		
Dielectric strength to mounting rail	4 kV _{eff} / 1 min.	
Creepage and clearance distance input - output	≥ 5.5 mm	
Overvoltage category	III	
Pollution degree	2	
Dimensions		
	Screw connection	Tension clamp connection
Clamping range (nominal / min. / max.)	mm ² 1.5 / 0.14 / 2.5	1.5 / 0.14 / 2.5
Depth x width x height	mm 88 / 6.4 / 90	88 / 6.4 / 90
Note		

Ordering data

Input	
Rated control voltage	24 V DC ±20 %
Rated current AC / DC	/ 10 mA
Power rating	240 mW
Pull-in/drop-out voltage, typ.	16 V / 4 V DC
Pull-in/drop-out current, typ.	7 mA / 2 mA DC
Status indicator	Green LED
Protective circuit	Integrated free-wheel diode, Reverse polarity protection
Output	
Switch-on delay	< 6 ms
Switch-off delay	< 7 ms

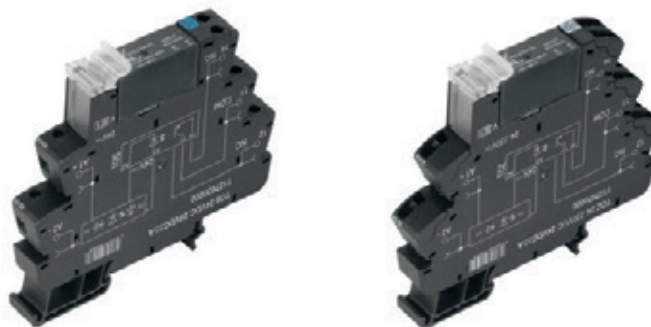
Ordering data	
Screw connection	Type TRS 24VDC 1CO AGSNO
Order No.	1984540000
Tension clamp conn.	Type TRZ 24VDC 1CO AGSNO
Order No.	1984550000
Note	



Solid-state relay, 0 - 33 V DC / 5 A

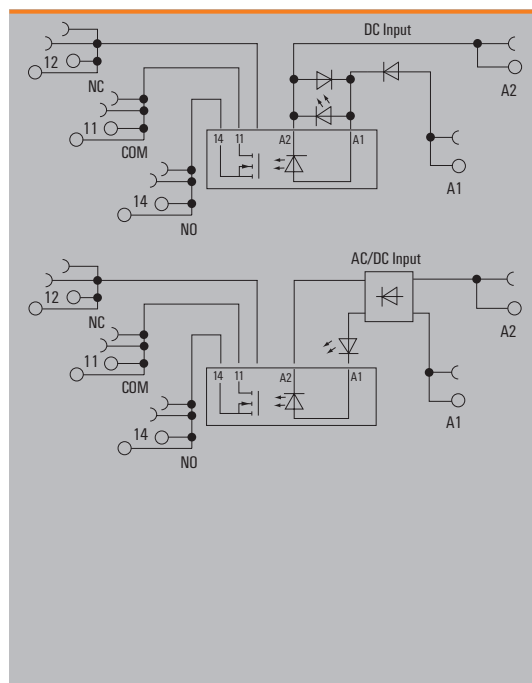
Output versions

- Space-saving, 12.8 mm wide
- 5 A DC output current
- Internal cross-connection of the output terminals
- Screw and tension clamp connection
- Multi-voltage input: 24...230 V UC in one module



Technical data

Load side	
Rated switching voltage	3...33 V DC
Continuous current	5 A
Inrush current	
Solid-state type	MOS-FET
Voltage drop at max. load	≤ 0.3 V
Leakage current	< 10 µA
Protective circuit, load side	Integrated free-wheel diode
Short-circuit-proof / Protective circuit, load side	/ Integrated free-wheel diode
General data	
Ambient temperature (operational)	-20 °C...60 °C
Storage temperature	-40 °C...70 °C
Humidity	5-95% rel. humidity, T _n = 40°C, no condensation
Approvals	CE
Insulation coordination (EN 50178)	
Rated voltage	300 V
Impulse withstand voltage	6 kV (1.2/50 µs)
Dielectric strength for control side - load side	2.5 kV _{eff}
Dielectric strength to mounting rail	4 kV _{eff} / 1 min.
Clearance and creepage distances for control side - load side	≥ 5.5 mm
Overvoltage category	III
Pollution degree	2
Dimensions	
Clamping range (nominal / min. / max.)	mm ² 1.5 / 0.14 / 2.5
Depth x width x height	mm 88 / 12.8 / 90
Note	



Ordering data

	24 V DC	24 V - 230 V UC
Control side		
Rated control voltage	24 V DC ±20 %	24...230 V UC ±10 %
Nominal control current	10 mA DC ±20 %	28 mA @ 24 V UC, 4 mA @ 230 V UC
Power rating	240 mW	672 mW @ 24 V UC, 920 mW @ 230 V UC
Cut-in / dropout voltage	15 V / 5 V DC	12 V / 6 V AC 12 V / 5 V DC
Input frequency	300 Hz	3 Hz
Status indicator	Green LED	Green LED
Protective circuit	Reverse polarity protection, Integrated free-wheel diode	Rectifier
Load side		
Switch-on delay	< 55 µs	≤ 10 ms
Switch-off delay	< 600 µs	< 100 ms

Ordering data		24 V DC	24 V - 230 V UC
Screw connection	Type	TOS 24VDC 24VDC5A	TOS 24-230VUC 24VDC5A
	Order No.	1990960000	1990970000
Tension clamp conn.	Type	TOZ 24VDC 24VDC5A	TOZ 24-230VUC 24VDC5A
	Order No.	1990980000	1990990000
Note			

Technical data

Machinery

Process

Energy

Transportation

Device Manufacturers

Device
Manufacturers



Transportation



Energy



Process

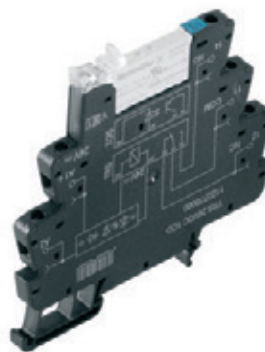


Machinery

Technical data

1 CO contact, cl. 1 Div. 2
AC / DC / UC coil

- Space-saving, only 6.4 mm wide
- AgNi contact



Technical data

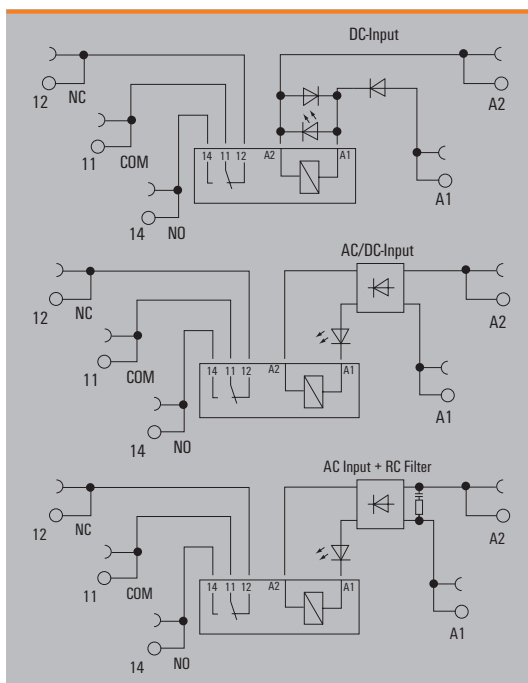
Machinery

Process

Energy

Transportation

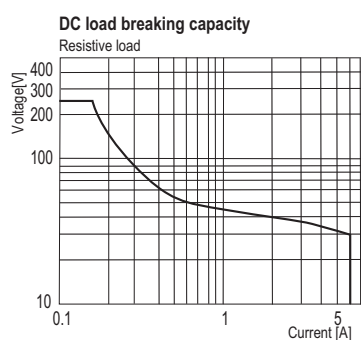
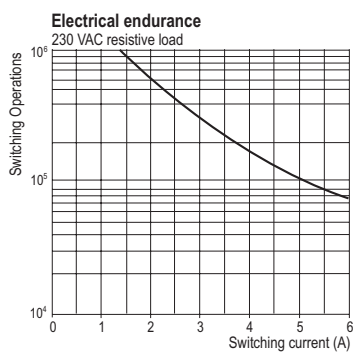
Device Manufacturers



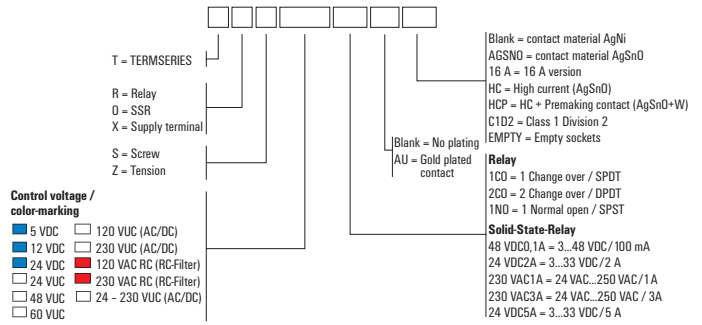
Technical data

Output	
Rated switching voltage / Continuous current	250 V AC / 6 A
Max. switching voltage, AC	250 V
Inrush current	20 A / 20 ms
Min. switching power	100 mA / 5 V, 12 V / 10 mA, 24 V / 1 mA
DC / AC Switching capacity (resistive), max.	144 W @ 24 V / 1500 VA
Contact material	AgNi
Mechanical service life	5 x 10 ⁶ switching cycles
Max. switching frequency at rated load	0.1 Hz
Rated data	
Ambient temperature (operational)	-40 °C...60 °C
Storage temperature	-40 °C...85 °C
Humidity	5-95% rel. humidity, T _n = 40°C, no condensation
Approvals	CE, cULusEX
Insulation coordination (EN 50178)	
Rated voltage	300 V
Impulse withstand voltage	6 kV (1.2/50 μs)
Dielectric strength input - output	4 kV _{eff} / 1 min.
Dielectric strength, contact / contact	
Dielectric strength to mounting rail	4 kV _{eff} / 1 min.
Creepage and clearance distance input - output	≥ 5.5 mm
Overvoltage category	III
Pollution degree	2
Dimensions	
Clamping range (nominal / min. / max.)	mm ² 1.5 / 0.14 / 2.5
Depth x width x height	mm 88 / 6.4 / 90
Screw connection	
Note	

Applications



1 CO contact, cl. 1 Div. 2
AC / DC / UC coil



Ordering data	12 V DC	24 V DC	24 V UC	120 V AC RC	230 V AC RC
Input					
Rated control voltage	12 V DC ±20 %	24 V DC ±20 %	24 V UC ±10 %	120 V AC ±10 %	230 V AC ±10 %
Rated current AC / DC	/ 18 mA	/ 10 mA	11.7 mA / 6.4 mA	7 mA /	10.1 mA /
Power rating	210 mW	240 mW	270 mVA / 154 mW	0.84 VA	2.3 VA
Pull-in/drop-out voltage, typ.	8 V / 2 V DC	16 V / 4 V DC	16.5 V / 5.5 V AC 16.5 V / 5.5 V DC	79 V / 60 V AC	145 V / 85 V AC
Pull-in/drop-out current, typ.	9 mA / 3 mA DC	7 mA / 2 mA DC	4 mA / 1.2 mA AC 4 mA / 1.2 mA DC	4 mA / 2.5 mA AC	9.13 mA / 4.78 mA AC
Status indicator	Green LED	Green LED	Green LED	Green LED	Green LED
Protective circuit	Integrated free-wheel diode, Reverse polarity protection	Integrated free-wheel diode, Reverse polarity protection	Rectifier	Rectifier	Rectifier
Output					
Switch-on delay	< 7 ms	< 6 ms	< 4 ms	< 5.3 ms	< 22 ms
Switch-off delay	< 8 ms	< 7 ms	< 1.2 ms	< 4 ms	< 30 ms
Ordering data					
Screw connection	TRS 12VDC 1CO C1D2	TRS 24VDC 1CO C1D2	TRS 24VUC 1CO C1D2	TRS 120VACRC 1CO C1D2	TRS 230VACRC 1CO C1D2
Type					
Order No.	1984560000	1984570000	1984580000	1984590000	1984600000
Type					
Order No.					
Note					

Ordering data	24...230 V UC
Input	
Rated control voltage	24...230 V UC ±10 %
Rated current AC / DC	4 mA @ 230 V AC ±10 %, 28 mA @ 24 V AC ±10 % / 22 mA @ 24 V DC ±10 %
Power rating	530 mW @ 24 V DC, 930 mVA @ 230 V AC
Pull-in/drop-out voltage, typ.	11.5 V / 6 V AC 11.5 V / 5 V DC
Pull-in/drop-out current, typ.	
Status indicator	Green LED
Protective circuit	Rectifier
Output	
Switch-on delay	< 22 ms
Switch-off delay	< 100 ms
Ordering data	
Screw connection	TRS 24-230VUC 1CO C1D2
Type	
Order No.	1984610000
Type	
Order No.	
Note	

Technical data

Machinery

Process

Energy

Transportation

Device
Manufacturers

1 CO contact, cl. 1 Div. 2
with hard gold-plated contacts
AC / DC / UC coil

- Space-saving, only 6.4 mm wide
- AgNi contact



Technical data

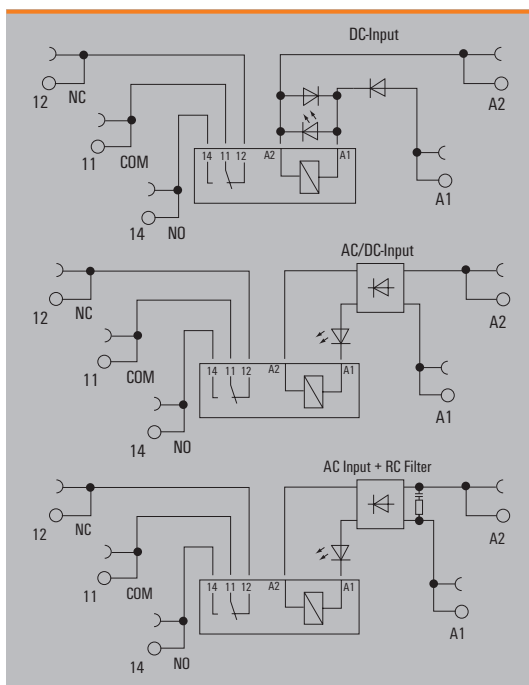
Machinery

Process

Energy

Transportation

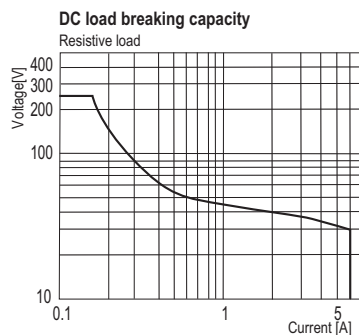
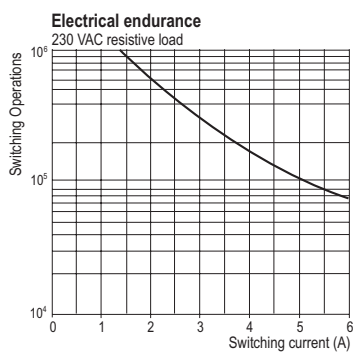
Device Manufacturers



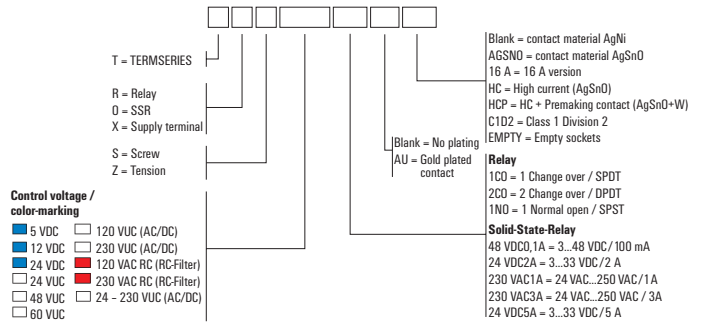
Technical data

Output	
Rated switching voltage / Continuous current	250 V AC / 6 A
Max. switching voltage, AC	250 V
Inrush current	20 A / 20 ms
Min. switching power	100 mA / 5 V, 12 V / 10 mA, 24 V / 1 mA
DC / AC Switching capacity (resistive), max.	144 W @ 24 V / 1500 VA
Contact material	AgNi
Mechanical service life	5 x 10 ⁶ switching cycles
Max. switching frequency at rated load	0.1 Hz
Rated data	
Ambient temperature (operational)	-40 °C...60 °C
Storage temperature	-40 °C...85 °C
Humidity	5-95% rel. humidity, T _n = 40°C, no condensation
Approvals	CE, cULusEX
Insulation coordination (EN 50178)	
Rated voltage	300 V
Impulse withstand voltage	6 kV (1.2/50 µs)
Dielectric strength input - output	4 kV _{eff} / 1 min.
Dielectric strength, contact / contact	
Dielectric strength to mounting rail	4 kV _{eff} / 1 min.
Creepage and clearance distance input - output	≥ 5.5 mm
Overvoltage category	III
Pollution degree	2
Dimensions	
Clamping range (nominal / min. / max.)	mm ² 1.5 / 0.14 / 2.5
Depth x width x height	mm 88 / 6.4 / 90
Screw connection	
Note	

Applications



1 CO contact, cl. 1 Div. 2
with hard gold-plated contacts
AC / DC / UC coil



Ordering data	12 V DC	24 V DC	120 V AC RC	24-230 V UC
Input				
Rated control voltage	12 V DC ±20 %	24 V DC ±20 %	120 V AC ±10 %	24...230 V UC ±10 %
Rated current AC / DC	/ 18 mA	/ 10 mA	7 mA /	4 mA @ 230 V AC ±10 %, 28 mA @ 24 V AC ±10 % / 22 mA @ 24 V DC ±10 %
Power rating	210 mW	240 mW	0.84 VA	530 mW @ 24 V DC, 930 mVA @ 230 V AC
Pull-in/drop-out voltage, typ.	8 V / 2 V DC	16 V / 4 V DC	79 V / 60 V AC	11.5 V / 6 V AC 11.5 V / 5 V DC
Pull-in/drop-out current, typ.	9 mA / 3 mA DC	7 mA / 2 mA DC	4 mA / 2.5 mA AC	
Status indicator	Green LED	Green LED	Green LED	Green LED
Protective circuit	Integrated free-wheel diode, Reverse polarity protection	Integrated free-wheel diode, Reverse polarity protection	Rectifier	Rectifier
Output				
Switch-on delay	< 7 ms	< 6 ms	< 5.3 ms	< 22 ms
Switch-off delay	< 8 ms	< 7 ms	< 4 ms	< 100 ms
Ordering data				
Screw connection	TRS 12VDC 1COAU C1D2	TRS 24VDC 1COAU C1D2	TRS 120VACRC 1COAU C1D2	TRS 24-230VUC 1COAUC1D2
Order No.	1984620000	1984630000	1984640000	1984650000
Type				
Order No.				
Note				

Technical data

Machinery

Process

Energy

Transportation

Device Manufacturers

ConnectPower DC/DC converter



Signal states

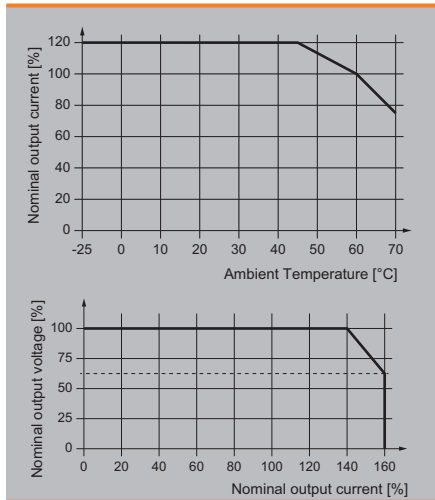
Event	Input	Output	LED (Gr/Ye/Rd)		Transistor status outputs			Status relay
			gr = "DC OK"	LED (Ye)	DC OK	i > 90% I _N	low u _N	
U _N < 14 V	-	OFF	OFF	ON	Low	Low	Low	OFF
U _N = 14...19.2 V *1)	i < 90% I _N	Gr	ON	High	Low	Low	Low	ON
	i > 90% I _N	Ye	ON	High	High	Low	Low	ON
	U < 20.4 V	Rd	ON	Low	Low	Low	Low	OFF
U _N > 19.2 V	i < 90% I _N	Gr	OFF	High	Low	High	High	ON
	i > 90% I _N	Ye	OFF	High	High	High	High	ON
	U < 20.4 V	Rd	OFF	Low	Low	High	High	OFF

Gr = grün / green / verde / verde / verde / 绿色
 Ye = gelb / yellow / jaune / giallo / amarillo / amarillo / 黄色
 Rd = rot / red / rouge / rosso / rojo / vermelho / 红色
 *1) während des Betriebes / during operations / en cours de fonctionnement / durante l'esercizio / durante el servicio / durante a operação / 运行过程中

Technical data

General data	
Current limiting	150% I _{out}
Insulation voltage input / earth	1.5
Insulation voltage output / earth	0.5
Insulation voltage, input/output	1.5
Ambient temperature (operational) / Storage temperature / Start-up	-25 °C...70 °C / -40 °C...85 °C / ≥ -40 °C
Humidity at operating temperature	5...95 %, no condensation
Class of protection / Pollution degree	III, with no ground connection, for SELV / 2
MTBF	1250000
Housing version	Metal, corrosion resistant
Mounting position, installation notice	Horizontal on TS35 mounting rail. 50 mm of clearance at top & bottom for air circ. Can mount side by side with no space in between., 50 mm clearance at top and bottom for free air circulation, mountable side by side without clearance

Derating curve

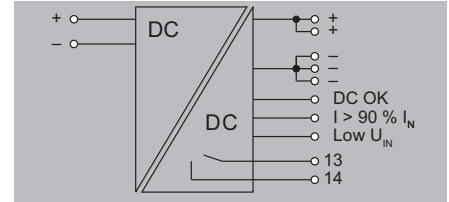
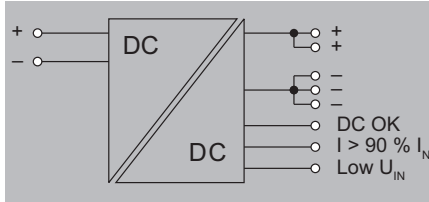


EMC / shock / vibration	
Interference immunity test acc. to	EN 61000-4-2 (ESD), EN 61000-4-4 (burst), EN 61000-4-5 (surge), EN 61000-4-6 (conducted), EN61000-4-3 (HF field)
Shock	30 g in all directions
Resistance to vibration	2.3 g (15 Hz...150 Hz)
Electrical safety (applied standards)	
Electrical machine equipment	Acc. to EN60204
Safety transformers for switch-mode power supplies	nach EN1558-2-16
For use with electronic equipment	Acc. to EN50178 / VDE0160
Safety extra-low voltage	SELV acc. to EN60950, PELV acc. to EN60204
Protective separation / protection against electrical shock	VDE0100-410 / acc. to DIN57100-410
Protection against dangerous shock currents	Acc. to VDE0106-101

ConnectPower DC/DC converter

PRO DCDC 120W 24V 5A

PRO DCDC 240W 24V 10A



Technical data

Input
Rated input voltage
DC input voltage range
Input fuse (internal)
Inrush current / Turn-on current limit
Recommended back-up fuse

24 V DC
14...32 V (during operation), 18...32 V (commissioning)
Yes
Max. 10 A / Yes
10 A, char. B circuit breaker, 10 A, char. C circuit breaker

24 V DC
14...32 V (during operation), 18...32 V (commissioning)
Yes
max. 15 A / Yes
25 A, Char.B circuit breaker, 25 A, Char.C circuit breaker

Output
Rated output voltage
Output voltage
Continuous output current @ U _{Rated}
Output power
Ramp-up time
Capacitive load
Parallel connection option
Power boost @ U _{Rated}
Residual ripple, breaking spikes
Protection against inverse voltage / Overload protection

24 V DC ± 1 %
22.5...29.5 V
5 A @ 60 °C, 6 A @ 45°C, 3,75 A @ 70°C
120
≤ 9 ms (U _{out} : 10%...90%)
unrestricted
Yes, max. 5 (without diode module)
600% IN for 16 ms
max. 20 mVpp @ 24 VDC, IN
Yes / Yes

24 V DC ± 1 %
22.5...29.5 V
10 A @ 60 °C, 12 A @ 45°C, 7,5 A @ 70°C
240
≤ 9 ms (U _{out} : 10%...90%)
unrestricted
Yes, max. 5 (without diode module)
600% IN for 16 ms
max. 20 mVpp @ 24 VDC, IN
Yes / Yes

General data
AC failure bridging time @ I _{nom}
Protection against reverse voltages from the load
Start-up
Current limiting
Power loss idling / nominal load
Degree of efficiency

> 10 ms @ 24 V DC
33...34 V DC
≥ -40 °C
150% I _{out}
2 / 11
typ. 92 %

> 12 ms @ 24 V DC
33...34 V DC
≥ -40 °C
150% I _{out}
2 / 22
typ. 92 %

Signalling
Transistor output, positive-switching

DC OK: 20 mA max., short-circuit-proof, I > 90%: 20 mA max., short-circuit-proof, Low U _{IN} : 20 mA max., short-circuit-proof

DC OK: 20 mA max., short-circuit-proof, I > 90%: 20 mA max., short-circuit-proof, Low U _{IN} : 20 mA max., short-circuit-proof

Yes
Output voltage > 21.6 V / < 20.4 V / max. 30 V DC / 0.5 A

Yes
Output voltage > 21.6 V / < 20.4 V / max. 30 V DC / 0.5 A

Yes
Output voltage > 21.6 V / < 20.4 V / max. 30 V DC / 0.5 A

Approvals
Approvals

Connection data
Connection system
Number of terminals
Wire cross-section, rigid min/max
Wire cross-section, flexible min/max
Wire cross-section, AWG/kcmil min/max
Tightening torque

Input	Output
Screw connection: pluggable	
2 for (+, -)	8 (+ / - / Signal)
0.2 / 4	0.2 / 2.5
0.2 / 4	0.2 / 2.5
30 / 12	24 / 14
0.4 / 0.5	0.4 / 0.5

Input	Output
Screw connection: pluggable	
2 for (+, -)	10 (+ / - / Signal)
0.08 / 4	0.2 / 2.5
0.08 / 4	0.2 / 2.5
30 / 12	24 / 14
0.4 / 0.5	0.4 / 0.5

Note

Ordering data

Type	Qty.	Order No.
PRO DCDC 120W 24V 5A	1	2001800000

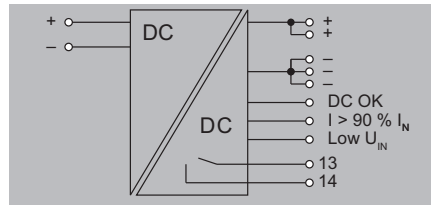
Type	Qty.	Order No.
PRO DCDC 240W 24V 10A	1	2001810000

Type	Qty.	Order No.
PRO DCDC 240W 24V 10A	1	2001810000

Note

ConnectPower DC/DC converter

PRO DCDC 480W 24V 20A



Technical data

Input
Rated input voltage
DC input voltage range
Input fuse (internal)
Inrush current / Turn-on current limit
Recommended back-up fuse

24 V DC
14...32 V (during operation), 18...32 V (commissioning)
Yes
max. 30 A / Yes
40 A, Char. B circuit breaker, 40 A, Char. C circuit breaker

Output
Rated output voltage
Output voltage
Continuous output current @ U_{Rated}
Output power
Ramp-up time
Capacitive load
Parallel connection option
Power boost @ U_{Rated}
Residual ripple, breaking spikes
Protection against inverse voltage / Overload protection

24 V DC \pm 1 %
22.5...29.5 V
20 A @ 60 °C, 24 A @ 45°C, 15 A @ 70°C
480
\leq 9 ms (Uout: 10%...90%)
unrestricted
yes, max. 3
600% IN for 16 ms
max. 20 mVpp @ 24 VDC, IN
Yes / Yes

General data
AC failure bridging time @ I_{nom}
Protection against reverse voltages from the load
Start-up
Current limiting
Power loss idling / nominal load
Degree of efficiency

> 10 ms @ 24 V DC
33...34 V DC
\geq -40 °C
150% I_{out}
3 / 40
typ. > 93%

Signalling
Transistor output, positive-switching

DC OK: 20 mA max., short-circuit-proof, I > 90%: 20 mA max., short-circuit-proof, Low U_{IN} : 20 mA max., short-circuit-proof
--

Floating contact
Relay on/off / Contact load

Yes
Output voltage > 21.6 V / < 20.4 V / max. 30 V DC / 0.5 A

Approvals
Approvals

Connection data
Connection system
Number of terminals
Wire cross-section, rigid min/max
Wire cross-section, flexible min/max
Wire cross-section, AWG/kcmil min/max
Tightening torque

Input	Output
Screw connection	
2 for (+, -)	10 (+ / - / Signal)
0.5 / 16	0.18 / 6
0.5 / 16	0.18 / 6
22 / 8	26 / 10
1.2 / 1.5	0.4 / 0.5

Note

Ordering data

--

Type	Qty.	Order No.
PRO DCDC 480W 24V 20A	1	2001820000

Note

--

Technical data

Machinery

Process

Energy

Transportation

Device Manufacturers



Device
Manufacturers



Transportation



Energy



Process



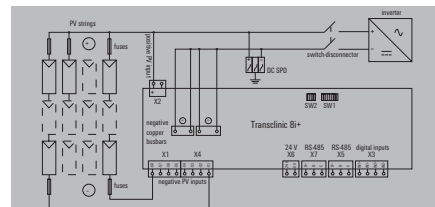
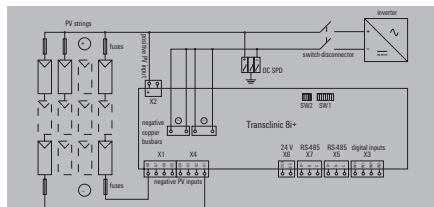
Machinery

Technical data

Transclenic xi+

Transclenic 8i+

Transclenic 14i+



Technical data

Maximum number of strings	8
Max. current per string	30 A DC
Rated voltage	1000 V DC
String-current measurement error	± 360 mA from 3 A DC to 30 A DC
String-voltage measurement error	± 10 V from 100 V DC to 1000 V DC
Communication	MODBUS RS485 RTU
Number of digital inputs	2
Elevation	≤ 3000 m
Ambient temperature	-20 °C...70 °C
Supply voltage	19 - 36 V DC

Maximum number of strings	14
Max. current per string	20 A DC
Rated voltage	1000 V DC
String-current measurement error	± 260 mA from 3 A DC to 20 A DC
String-voltage measurement error	± 10 V from 100 V DC to 1000 V DC
Communication	MODBUS RS485 RTU
Number of digital inputs	2
Elevation	≤ 3000 m
Ambient temperature	-20 °C...70 °C
Supply voltage	19 - 36 V DC

Maximum number of strings	14
Max. current per string	20 A DC
Rated voltage	1000 V DC
String-current measurement error	± 260 mA from 3 A DC to 20 A DC
String-voltage measurement error	± 10 V from 100 V DC to 1000 V DC
Communication	MODBUS RS485 RTU
Number of digital inputs	2
Elevation	≤ 3000 m
Ambient temperature	-20 °C...70 °C
Supply voltage	19 - 36 V DC

Dimensions	
Length x width x height	295 / 109.5 / 92.2

Dimensions	
Length x width x height	295 / 109.5 / 92.2

Dimensions	
Length x width x height	368.9 / 109.5 / 92.2

Note	
-------------	--

Note	
-------------	--

Note	
-------------	--

Ordering data

--	--	--

Type	Qty.	Order No.
TRANSLINIC 8i+	1 ST	1238120000

Type	Qty.	Order No.
TRANSLINIC 14i+	1 ST	1238130000

Note	
-------------	--

Note	
-------------	--

Note	
-------------	--

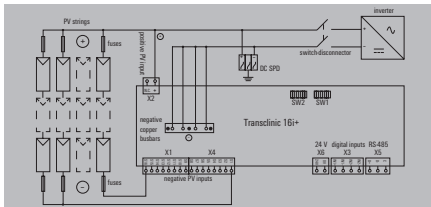
Accessories

Note	
-------------	--

Note	
-------------	--

Note	
-------------	--

Transclinic 16i+



16
15 A DC
1000 V DC
± 300 mA from 3 A DC to 15 A DC
± 12 V from 100 V DC to 1000 V DC
MODBUS RS485 RTU
2
≤ 3000 m
-25 °C...70 °C
19,2 - 28,8 V DC

368.9 / 109.5 / 92.2

Type	Qty.	Order No.
TRANSLINIC 16i+	1 ST	2008130000



Main line branch terminals

WPD 101

Main line branch terminals



WPD 301

Main line branch terminals



Width/Depth/Height
Rated AC voltage
Rated DC voltage
Rated current
UL 94 flammability rating

17.8 / 49.3 / 55.7
1000 V AC
1000 V DC
152 A
V-0

53.4 / 49.3 / 55.7
1000 V AC
1000 V DC
152 A
V-0

Technical data

Inputs	
Number of connections	1
Solid	2.5...25mm ²
Stranded	2.5...25mm ²
Flexible with ferrule	1.5...16mm ²
Ribbon cable	
Torque	2.5Nm
Clamping screw	M 6
Stripping length	19mm
Outputs	
Number of connections	1
Solid	2.5...25mm ²
Stranded	2.5...25mm ²
Flexible with ferrule	1.5...16mm ²
Torque	2.5Nm
Clamping screw	M 6
Stripping length	19mm
No. of poles	
1	
Note	
Aluminium conductor 16 mm ² = 4.0 Nm; 25 mm ² = 4.0 Nm	

top	mid./left	mid./mid.	mid./right	bottom
	1		1	
	2.5...25mm ²		2.5...16mm ²	
	2.5...25mm ²		2.5...16mm ²	
	1.5...16mm ²		1.5...10mm ²	
	2.5Nm		2.5Nm	
	M 6		M 6	
	19mm		19mm	
top	mid./left	mid./mid.	mid./right	bottom
	1		1	
	2.5...25mm ²		2.5...16mm ²	
	2.5...25mm ²		2.5...16mm ²	
	1.5...16mm ²		1.5...10mm ²	
	2.5Nm		2.5Nm	
	M 6		M 6	
	19mm		19mm	
No. of poles				
1				
Note				
Aluminium conductor 16 mm ² = 4.0 Nm; 25 mm ² = 4.0 Nm				

top	mid./left	mid./mid.	mid./right	bottom
	3		3	
	2.5...25mm ²		2.5...16mm ²	
	2.5...25mm ²		2.5...16mm ²	
	1.5...16mm ²		1.5...10mm ²	
	2.5Nm		2.5Nm	
	M 6		M 6	
	19mm		19mm	
top	mid./left	mid./mid.	mid./right	bottom
	3		3	
	2.5...25mm ²		2.5...16mm ²	
	2.5...25mm ²		2.5...16mm ²	
	1.5...16mm ²		1.5...10mm ²	
	2.5Nm		2.5Nm	
	M 6		M 6	
	19mm		19mm	
No. of poles				
3				
Note				
Aluminium conductor 16 mm ² = 4.0 Nm; 25 mm ² = 4.0 Nm				

Ordering data

Version	
	grey
	Blue
	brown
	green
	black
Note	

Type	Qty.	Order No.
WPD 101 2X25/2X16 GY	5	1560730000
WPD 101 2X25/2X16 BL	5	1560670000
WPD 101 2X25/2X16 BN	5	1561120000
WPD 101 2X25/2X16 GN	5	1560650000
WPD 101 2X25/2X16 BK	5	1561100000

Type	Qty.	Order No.
WPD 301 2X25/2X16 3XGY	2	1561130000

Accessories

Crosshead screwdriver	Standard
------------------------------	----------

Type	current	Qty.	Order No.
SDK PZ2		1	9008540000

Type	current	Qty.	Order No.
SDK PZ2		1	9008540000

Identification systems	Marking tags
-------------------------------	--------------

SFX 10/23 / SFX 14/23

SFX 10/23 / SFX 14/23

Technical data

Machinery

Process

Energy

Transportation

Device Manufacturers

WPD 401

Main line branch terminals



81.5 / 49.3 / 55.7
 1000 V AC
 1000 V DC
 152 A
 V-0

IEC 60947-7-1, IEC 61238-1, VDE 0603-2

top	mid./left	mid./mid.	mid./right	bottom
	4		4	
	2.5...25mm ²		2.5...16mm ²	
	2.5...25mm ²		2.5...16mm ²	
	1.5...16mm ²		1.5...10mm ²	
		2.5Nm	2.5Nm	
		M 6	M 6	
		19mm	19mm	
top	mid./left	mid./mid.	mid./right	bottom
	4		4	
	2.5...25mm ²		2.5...16mm ²	
	2.5...25mm ²		2.5...16mm ²	
	1.5...16mm ²		1.5...10mm ²	
		2.5Nm	2.5Nm	
		M 6	M 6	
		19mm	19mm	

4
 Aluminium conductor 16 mm² = 4.0 Nm; 25 mm² = 4.0 Nm

Type	Qty.	Order No.
WPD 401 2X25/2X16 4XGY	1	1561800000
WPD 401 2X25/2X16 3XGY/1XBL	1	1562130000

Type	current	Qty.	Order No.
SDK PZ2		1	9008540000

SFX 10/23 / SFX 14/23

WPD 501

Main line branch terminals



88.8 / 49.3 / 55.7
 1000 V AC
 1000 V DC
 152 A
 V-0

IEC 60947-7-1, IEC 61238-1, VDE 0603-2

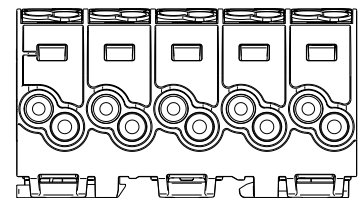
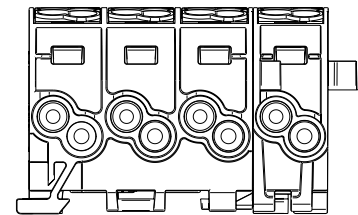
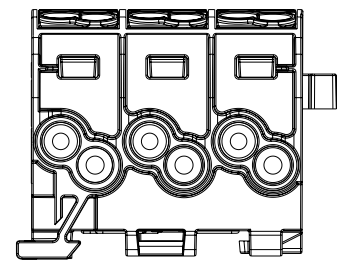
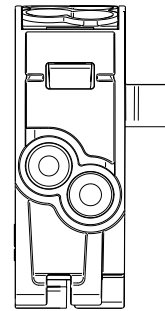
top	mid./left	mid./mid.	mid./right	bottom
	5		5	
	2.5...25mm ²		2.5...16mm ²	
	2.5...25mm ²		2.5...16mm ²	
	1.5...16mm ²		1.5...10mm ²	
		2.5Nm	2.5Nm	
		M 6	M 6	
		19mm	19mm	
top	mid./left	mid./mid.	mid./right	bottom
	5		5	
	2.5...25mm ²		2.5...16mm ²	
	2.5...25mm ²		2.5...16mm ²	
	1.5...16mm ²		1.5...10mm ²	
		2.5Nm	2.5Nm	
		M 6	M 6	
		19mm	19mm	

5
 Aluminium conductor 16 mm² = 4.0 Nm; 25 mm² = 4.0 Nm

Type	Qty.	Order No.
WPD 501 2X25/2X16 5XGY	1	1561750000
WPD 501 2X25/2X16 1XGN/3XGY/1XBL	1	1562140000

Type	current	Qty.	Order No.
SDK PZ2		1	9008540000

SFX 10/23 / SFX 14/23



Technical data

Machinery

Process

Energy

Transportation

Device Manufacturers

Main line branch terminals

WPD 102

Main line branch terminals



WPD 202

Main line branch terminals



Width/Depth/Height
Rated AC voltage
Rated DC voltage
Rated current
UL 94 flammability rating

22.2 / 49.3 / 55.4
1000 V AC
1000 V DC
202 A
V-0

44.4 / 49.3 / 55.4
1000 V AC
1000 V DC
202 A
V-0

Technical data

Inputs	
Number of connections	
Solid	
Stranded	
Flexible with ferrule	
Ribbon cable	
Torque	
Clamping screw	
Stripping length	
Outputs	
Number of connections	
Solid	
Stranded	
Flexible with ferrule	
Torque	
Clamping screw	
Stripping length	
No. of poles	
Note	

	top	mid./left	mid./mid.	mid./right	bottom
Number of connections	1		1		
Solid	4...35mm ²		2.5...25mm ²		
Stranded	4...35mm ²		2.5...25mm ²		
Flexible with ferrule	2.5...25mm ²		1.5...16mm ²		
Torque	3.5Nm		2.5Nm		
Clamping screw	M 8		M 6		
Stripping length	22mm		18mm		
Outputs					
Number of connections	1		1		
Solid	4...35mm ²		2.5...25mm ²		
Stranded	4...35mm ²		2.5...25mm ²		
Flexible with ferrule	2.5...25mm ²		1.5...16mm ²		
Torque	3.5Nm		2.5Nm		
Clamping screw	M 8		M 6		
Stripping length	22mm		18mm		
No. of poles		1			
Note		Aluminium conductor 16 mm ² = 4.0 Nm; 25 mm ² = 4.0 Nm; 35 mm ² = 8.0 Nm			

	top	mid./left	mid./mid.	mid./right	bottom
Number of connections	2		2		
Solid	4...35mm ²		2.5...25mm ²		
Stranded	4...35mm ²		2.5...25mm ²		
Flexible with ferrule	2.5...25mm ²		1.5...16mm ²		
Torque	3.5Nm		2.5Nm		
Clamping screw	M 8		M 6		
Stripping length	22mm		18mm		
Outputs					
Number of connections	2		2		
Solid	4...35mm ²		2.5...25mm ²		
Stranded	4...35mm ²		2.5...25mm ²		
Flexible with ferrule	2.5...25mm ²		1.5...16mm ²		
Torque	3.5Nm		2.5Nm		
Clamping screw	M 8		M 6		
Stripping length	22mm		18mm		
No. of poles		1			
Note		Aluminium conductor 16 mm ² = 4.0 Nm; 25 mm ² = 4.0 Nm; 35 mm ² = 8.0 Nm			

Ordering data

Version	
grey	
Blue	
brown	
green	
black	
Note	

Type	Qty.	Order No.
WPD 102 2X35/2X25 GY	5	1561680000
WPD 102 2X35/2X25 BL	5	1561640000
WPD 102 2X35/2X25 BN	5	1561650000
WPD 102 2X35/2X25 GN	5	1561670000
WPD 102 2X35/2X25 BK	5	1561630000

Type	Qty.	Order No.
WPD 202 4x35/4x25 GY	2	1561730000
WPD 202 4x35/4x25 BL	2	1561700000
WPD 202 4x35/4x25 BN	2	1561720000
WPD 202 4x35/4x25 GN	2	1561620000
WPD 202 4x35/4x25 BK	2	1561690000

Accessories

Crosshead screwdriver	Standard
-----------------------	----------

Type	current	Qty.	Order No.
SDK PZ2		1	9008540000

Type	current	Qty.	Order No.
SDK PZ2		1	9008540000

Identification systems	Marking tags
------------------------	--------------

HSS 1/2 / SFX 9/24

HSS 1/2 / SFX 9/24

Technical data

Machinery

Process

Energy

Transportation

Device Manufacturers

WPD 302

Main line branch terminals



66.6 / 49.3 / 55.4
 1000 V AC
 1000 V DC
 202 A
 V-0
 IEC 60947-7-1, IEC 61238-1, VDE
 0603-2

top	mid./left	mid./mid.	mid./right	bottom
	3		3	
	4...35mm ²		2.5...25mm ²	
	4...35mm ²		2.5...25mm ²	
	2.5...25mm ²		1.5...16mm ²	
		3.5Nm	2.5Nm	
		M 8		
		22mm	18mm	
top	mid./left	mid./mid.	mid./right	bottom
	3		3	
	4...35mm ²		2.5...25mm ²	
	4...35mm ²		2.5...25mm ²	
	2.5...25mm ²		1.5...16mm ²	
		3.5Nm	2.5Nm	
		M 8		
		22mm	18mm	

3
 Aluminium conductor 16 mm² = 4.0 Nm; 25 mm² = 4.0 Nm; 35 mm² = 8.0 Nm

Type	Qty.	Order No.
WPD 302 2X35/2X25 3XGY	2	1561740000

Type	current	Qty.	Order No.
SDK PZ2		1	9008540000

HSS 1/2 / SFX 9/24

WPD 103

Main line branch terminals



32.9 / 53.1 / 63
 1000 V AC
 1000 V DC
 300 A
 V-0
 IEC 60947-7-1, IEC 61238-1, VDE
 0603-2

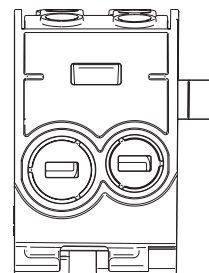
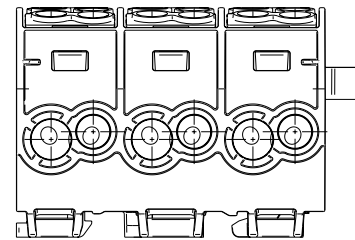
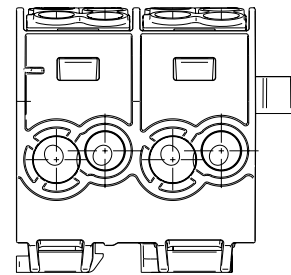
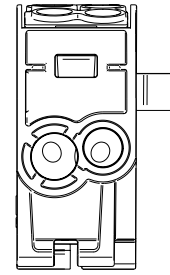
top	mid./left	mid./mid.	mid./right	bottom
	1		1	
	10...70mm ²		6...50mm ²	
	10...70mm ²		6...50mm ²	
	6...50mm ²		4...35mm ²	
		10Nm	6Nm	
		M 10	M 8	
		25mm	20mm	
top	mid./left	mid./mid.	mid./right	bottom
	1		1	
	10...70mm ²		6...50mm ²	
	10...70mm ²		6...50mm ²	
	6...50mm ²		4...35mm ²	
		10Nm	6Nm	
			M 8	
		25mm	20mm	

1
 Aluminium conductor 16 mm² = 4.0 Nm; 25 mm² = 4.0 Nm; 35 mm² = 8.0 Nm;
 50 mm² = 10.0 Nm; 70 mm² = 18.0 Nm

Type	Qty.	Order No.
WPD 103 2X70/2X50 GY	3	1561770000
WPD 103 2X70/2X50 BL	3	1561780000
WPD 103 2X70/2X50 BN	3	1561820000
WPD 103 2X70/2X50 GN	3	1561790000
WPD 103 2X70/2X50 BK	3	1561830000

Type	current	Qty.	Order No.
SDK PZ2		1	9008540000

SFX 30/60 / SFX 10/60



Technical data

Machinery

Process

Energy

Transportation

Device
Manufacturers

Distribution block

WPD 100

Sub-distributor block



WPD 104

Phase distributor block



Width/Depth/Height
Rated AC voltage
Rated DC voltage
Rated current
UL 94 flammability rating

30.2 / 49 / 55.4
690 V AC
690 V DC
100 A
V-0

33.3 / 49 / 68
690 V AC
1000 V DC
101 A
V-0

Technical data

IEC 60998-2-1

IEC 60947-7-1, UL 1059

Inputs	
Number of connections	1
Solid	2.5...25mm ²
Stranded	2.5...25mm ²
Flexible with ferrule	1.5...16mm ²
Ribbon cable	
Torque	3Nm
Clamping screw	M 6
Stripping length	17mm
Outputs	
Number of connections	3
Solid	1.5...10mm ²
Stranded	1.5...10mm ²
Flexible with ferrule	1.5...6mm ²
Torque	2Nm
Clamping screw	M 5
Stripping length	9mm
No. of poles	1
Note	

top	mid./left	mid./mid.	mid./right	bottom
	1		1	
	2.5...25mm ²		2.5...25mm ²	
	2.5...25mm ²		2.5...25mm ²	
	1.5...16mm ²		1.5...16mm ²	
	3Nm		3Nm	
	M 6		M 6	
	17mm		17mm	
top	mid./left	mid./mid.	mid./right	bottom
3				3
1.5...10mm ²				1.5...10mm ²
1.5...10mm ²				1.5...10mm ²
1.5...6mm ²				1.5...6mm ²
2Nm				2Nm
M 5				M 5
9mm				9mm

top	mid./left	mid./mid.	mid./right	bottom
	1		1	
	2.5...25mm ²		1.5...16mm ²	
	2.5...25mm ²		1.5...16mm ²	
	1.5...16mm ²		1.5...10mm ²	
	2.5Nm		2.5Nm	
	M 6		M 6	
	19mm		19mm	
top	mid./left	mid./mid.	mid./right	bottom
3				2
1.5...10mm ²				1.5...16mm ²
1.5...10mm ²				1.5...16mm ²
1.5...6mm ²				1.5...10mm ²
2Nm				2.5Nm
M 5				M 6
12mm				14mm

Ordering data

Version
grey
Blue
green
Note

Type	Qty.	Order No.
WPD 100 2X25/6X10 GY	3	1561910000
WPD 100 2X25/6X10 BL	3	1561920000
WPD 100 2X25/6X10 GN	3	1561930000
Note		

Type	Qty.	Order No.
WPD 104 1x25+1x16/2x16+3x10 GY	1	1562000000
Note		

Accessories

Cross-connection
Crosshead screwdriver
Standard

Type	current	Qty.	Order No.
SDK PZ2		1	9008540000

Type	current	Qty.	Order No.
WQB WPD X04/2		20	1561980000
WQB WPD X04/3		20	1561990000
SDK PZ2		1	9008540000

Identification systems
Marking tags

ESG 9/17

ESG 9/17

Technical data

Machinery

Process

Energy

Transportation

Device Manufacturers

WPD 204

Phase distributor block



64.5 / 49 / 68
690 V AC
1000 V DC
101 A
V-0

IEC 60947-7-1, UL 1059

top	mid./left	mid./mid.	mid./right	bottom
2		2		
2.5...25mm ²		1.5...16mm ²		
2.5...25mm ²		1.5...16mm ²		
1.5...16mm ²		1.5...10mm ²		
2.5Nm		2.5Nm		
M 6		M 6		
19mm		19mm		
top	mid./left	mid./mid.	mid./right	bottom
6		4		
1.5...10mm ²		1.5...16mm ²		
1.5...10mm ²		1.5...16mm ²		
1.5...6mm ²		1.5...10mm ²		
2Nm		2.5Nm		
M 5		M 6		
12mm		14mm		
2				

Type	Qty.	Order No.
WPD 204 2X25/4X16+6X10 2XGY	1	1562150000

Type	current	Qty.	Order No.
WQB WPD X04/2		20	1561980000
WQB WPD X04/3		20	1561990000
SDK PZ2		1	9008540000

ESG 9/17

WPD 304

Phase distributor block



96 / 49 / 68
690 V AC
1000 V DC
101 A
V-0

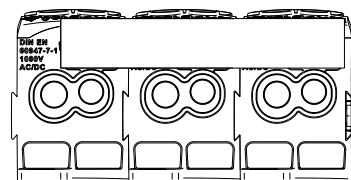
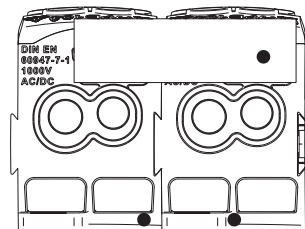
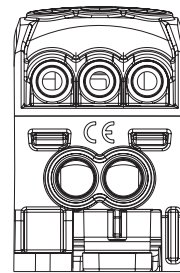
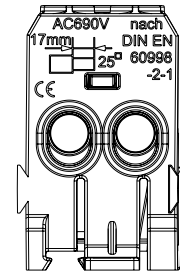
IEC 60947-7-1, UL 1059

top	mid./left	mid./mid.	mid./right	bottom
3			3	
2.5...25mm ²			1.5...16mm ²	
2.5...25mm ²			1.5...16mm ²	
1.5...16mm ²			1.5...10mm ²	
2.5Nm			2.5Nm	
M 6			M 6	
19mm			19mm	
top	mid./left	mid./mid.	mid./right	bottom
9			6	
1.5...10mm ²			1.5...16mm ²	
1.5...10mm ²			1.5...16mm ²	
1.5...6mm ²			1.5...10mm ²	
2Nm			2.5Nm	
M 5			M 6	
12mm			14mm	
3				

Type	Qty.	Order No.
WPD 304 3X25/6X16+9X10 3XGY	1	1562160000

Type	current	Qty.	Order No.
WQB WPD X04/2		20	1561980000
WQB WPD X04/3		20	1561990000
SDK PZ2		1	9008540000

ESG 9/17



Technical data

Machinery

Process

Energy

Transportation

Device Manufacturers

Distribution block

WPD 105

Phase distributor block



WPD 205

Phase distributor block



Technical data

Machinery

Process

Energy

Transportation

Device Manufacturers

Width/Depth/Height
Rated AC voltage
Rated DC voltage
Rated current
UL 94 flammability rating

37.1 / 53.7 / 70
690 V AC
1000 V DC
125 A
V-0

72.7 / 53.7 / 70
690 V AC
1000 V DC
125 A
V-0

Technical data

Inputs	
Number of connections	1
Solid	4...35mm ²
Stranded	4...35mm ²
Flexible with ferrule	2.5...25mm ²
Ribbon cable	
Torque	3.5Nm
Clamping screw	M 8
Stripping length	19mm
Outputs	
Number of connections	3
Solid	1.5...16mm ²
Stranded	1.5...16mm ²
Flexible with ferrule	1.5...10mm ²
Torque	2.5Nm
Clamping screw	M 6
Stripping length	12mm
No. of poles	1
Note	

IEC 60947-7-1, UL 1059

top	mid./left	mid./mid.	mid./right	bottom
1			1	
4...35mm ²			1.5...16mm ²	
4...35mm ²			1.5...16mm ²	
2.5...25mm ²			1.5...10mm ²	
3.5Nm			2.5Nm	
M 8			M 6	
19mm			19mm	
top	mid./left	mid./mid.	mid./right	bottom
3			2	
1.5...16mm ²			2.5...25mm ²	
1.5...16mm ²			2.5...25mm ²	
1.5...10mm ²			1.5...16mm ²	
2.5Nm			2.5Nm	
M 6			M 6	
12mm			14mm	
1				

IEC 60947-7-1, UL 1059

top	mid./left	mid./mid.	mid./right	bottom
2			2	
4...35mm ²			1.5...16mm ²	
4...35mm ²			1.5...16mm ²	
2.5...25mm ²			1.5...10mm ²	
3.5Nm			2.5Nm	
M 8			M 6	
19mm			19mm	
top	mid./left	mid./mid.	mid./right	bottom
6			4	
1.5...16mm ²			2.5...25mm ²	
1.5...16mm ²			2.5...25mm ²	
1.5...10mm ²			1.5...16mm ²	
2.5Nm			2.5Nm	
M 6			M 6	
12mm			14mm	
2				

Ordering data

Version	grey
Note	

Type	Qty.	Order No.
WPD 105 1x35+1x16/2x25+3x16 GY	1	1562170000

Type	Qty.	Order No.
WPD 205 2X35/4X25+6X16 2XGY	1	1562180000

Accessories

Cross-connection	
Crosshead screwdriver	Standard

Type	current	Qty.	Order No.
WQB WPD X05/2		20	1561960000
WQB WPD X05/3		20	1561970000
SDK PZ2		1	9008540000

Type	current	Qty.	Order No.
WQB WPD X05/2		20	1561960000
WQB WPD X05/3		20	1561970000
SDK PZ2		1	9008540000

Identification systems	Marking tags
-------------------------------	--------------

ESG 9/17

ESG 9/17

WPD 305

Phase distributor block



108.3 / 53.7 / 70
 690 V AC
 1000 V DC
 125 A
 V-0

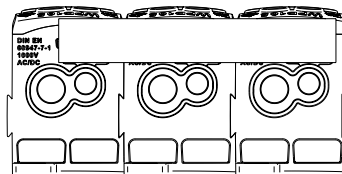
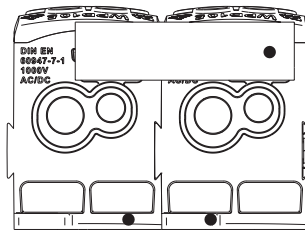
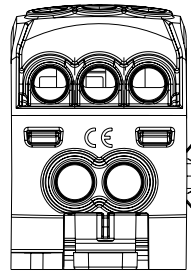
IEC 60947-7-1, UL 1059

top	mid./left	mid./mid.	mid./right	bottom
	3		3	
	4...35mm ²		1.5...16mm ²	
	4...35mm ²		1.5...16mm ²	
	2.5...25mm ²		1.5...10mm ²	
	3.5Nm		2.5Nm	
	M 8		M 6	
	19mm		19mm	
top	mid./left	mid./mid.	mid./right	bottom
9				6
1.5...16mm ²				2.5...25mm ²
1.5...16mm ²				2.5...25mm ²
1.5...10mm ²				1.5...16mm ²
2.5Nm				2.5Nm
M 6				
12mm				14mm
3				

Type	Qty.	Order No.
WPD 305 3X35/6X25+9X16 3XGY	1	1562190000

Type	current	Qty.	Order No.
WQB WPD X05/2		20	1561960000
WQB WPD X05/3		20	1561970000
SDK PZ2		1	9008540000

ESG 9/17



Technical data

Machinery

Process

Energy

Transportation

Device Manufacturers

Distribution block

WPD 106

Phase distributor block



WPD 107

Phase distributor block



Width/Depth/Height
Rated AC voltage
Rated DC voltage
Rated current
UL 94 flammability rating

41 / 50.4 / 74.5
690 V AC
1000 V DC
160 A
V-0

52.5 / 54.5 / 73
690 V AC
1000 V DC
232 A
V-0

Technical data

IEC 60947-7-1, UL 1059

IEC 60947-7-1, UL 1059

Inputs	
Number of connections	
Solid	
Stranded	
Flexible with ferrule	
Ribbon cable	
Torque	
Clamping screw	
Stripping length	
Outputs	
Number of connections	
Solid	
Stranded	
Flexible with ferrule	
Torque	
Clamping screw	
Stripping length	
No. of poles	
Note	

top	mid./left	mid./mid.	mid./right	bottom
		1		1
		10...70mm ²		
		10...70mm ²		
		6...50mm ²		
			15.5 x 5 mm	
		10Nm		2Nm
		M 10 x 1		M 5 x 20
		17mm		17mm
top	mid./left	mid./mid.	mid./right	bottom
3		4		2
1.5...16mm ²		1.5...16mm ²		2.5...25mm ²
1.5...16mm ²		1.5...16mm ²		2.5...25mm ²
1.5...10mm ²		1.5...10mm ²		1.5...16mm ²
2Nm		2Nm		2Nm
M 6 x 8		M 6 x 8		M 6 x 8
12mm		12mm		12mm
1				

top	mid./left	mid./mid.	mid./right	bottom
		1		1
4...35mm ²		...95mm ²		4...35mm ²
4...35mm ²		16...95mm ²		4...35mm ²
2.5...25mm ²		10...70mm ²		2.5...25mm ²
		3.5Nm		14Nm
		M 8		M 12
		12mm		M 8
		12mm		12mm
top	mid./left	mid./mid.	mid./right	bottom
4		4		4
2.5...25mm ²		1.5...16mm ²		2.5...25mm ²
2.5...25mm ²		1.5...16mm ²		2.5...25mm ²
1.5...16mm ²		1.5...10mm ²		1.5...16mm ²
2.5Nm		2Nm		2.5Nm
M 6		M 6 x 8		M 6
12mm		12mm		12mm
1				

Ordering data

Version	
grey	
Note	

Type	Qty.	Order No.
WPD 106 1X70/2X25+3X16 GY	1	1562210000
Note		

Type	Qty.	Order No.
WPD 107 1X95/2X35+8X25 GY	1	1562220000
Note		

Accessories

Screwdriver
Standard
Crosshead screwdriver
Standard

Type	current	Qty.	Order No.
SKS 2,0-8,0 MR		1	9008870000
Note			

Type	current	Qty.	Order No.
SKS 2,0-8,0 MR		1	9008870000
SDK PZ2		1	9008540000
Note			

Identification systems
Marking tags

ESG 9/17

ESG 9/17

Technical data

Machinery

Process

Energy

Transportation

Device Manufacturers

WPD 108

Phase distributor block



52.5 / 67 / 94
690 V AC
1500 V DC
250 A
V-0

IEC 60947-7-1, UL 1059

top	mid./left	mid./mid.	mid./right	bottom
		1		1
		35...120mm ²		
		35...120mm ²		
		25...95mm ²		
			24 x 10 mm	
		19Nm	3Nm	
		M 14 x 1	M 6 x 30	
		27mm	22mm	
top	mid./left	mid./mid.	mid./right	bottom
3		4		2
2.5...25mm ²		1.5...16mm ²		4...35mm ²
2.5...25mm ²		1.5...16mm ²		4...35mm ²
1.5...16mm ²		1.5...10mm ²		2.5...25mm ²
2Nm		2Nm		2.5Nm
M 6 x 8		M 6 x 8		M 8 x 10
12mm		12mm		18mm

1

Type	Qty.	Order No.
WPD 108 1X120/2X35+3X25+4X16 GY	1	1562100000

Type	current	Qty.	Order No.
SKS 2,0-8,0 MR		1	9008870000

ESG 9/17

WPD 109

Phase distributor block



52.6 / 67 / 94
690 V AC
1500 V DC
353 A
V-0

IEC 60947-7-1, UL 1059

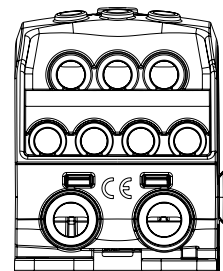
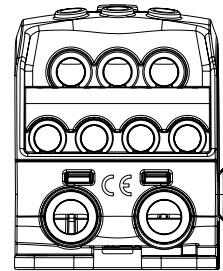
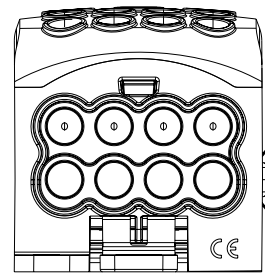
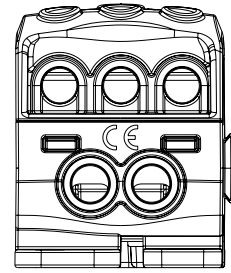
top	mid./left	mid./mid.	mid./right	bottom
		1		1
		95...185mm ²		
		70...185mm ²		
		70...150mm ²		
			24 x 10 mm	
		19Nm	3Nm	
		M 14 x 1	M 6 x 30	
		27mm	22mm	
top	mid./left	mid./mid.	mid./right	bottom
3		4		2
2.5...25mm ²		1.5...16mm ²		4...35mm ²
2.5...25mm ²		1.5...16mm ²		4...35mm ²
1.5...16mm ²		1.5...10mm ²		2.5...25mm ²
2Nm		2Nm		2.5Nm
M 6 x 8		M 6 x 8		M 8 x 10
12mm		12mm		18mm

1

Type	Qty.	Order No.
WPD 109 1X185/2X35+3X25+4X16 GY	1	1562090000

Type	current	Qty.	Order No.
SKS 2,0-8,0 MR		1	9008870000

ESG 9/17



Technical data

Machinery

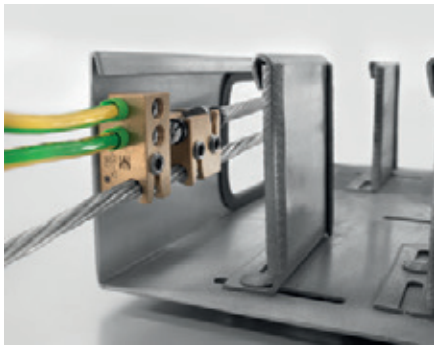
Process

Energy

Transportation

Device
Manufacturers

Potential equalisation block



Low installation height



Additional connection up to 16 mm²



Good visibility of the clamping screws

Technical data

Connection direction	on side
Tightening torque, min.	5 Nm
Clamping screw	M 6
Connection cross-section, flexible, min. / max.	25...50 mm ²

Ordering data

Type	Stripping length	Number of connections	Conductor min. / max.	Qty.	Order No.
Screw connection					
JB 25-50	33	2	25...50	10	1547500000
EBB 25-50/16	20	3	16/25...50	10	1547490000

Type	Description of article	Qty.	Order No.
SK WSD-S 1,5-10,0	Screwing tool	1	9008850000

Note

Note

Technical data

Machinery

Process

Energy

Transportation

Device
Manufacturers



Device
Manufacturers



Transportation



Energy



Process



Machinery

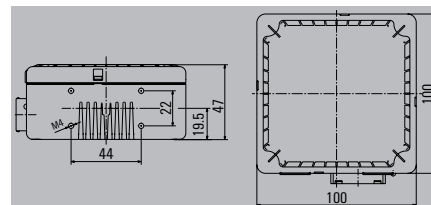
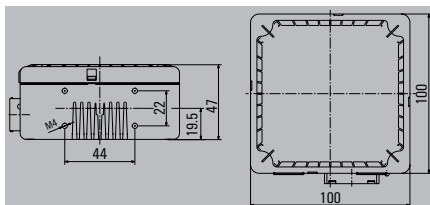
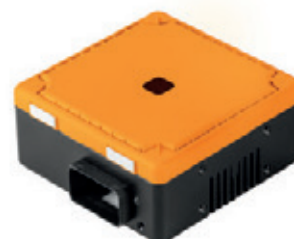
Technical data

FreeCon Contactless

- Contactless power transmission via air gap

Primary side (base)

Secondary side (remote)



Technical data

General data	
Housing main material	
Technologie, version	
Loads	
Turn-on time	
Coupling time	
Air gap	
Power interface	
Protection degree	
Ambient temperature (operational)	
Weight	
Electrical data	
Primary voltage	
Secondary voltage	
Secondary current	
Degree of efficiency	
LED indicator	
Approvals	
Note	

preliminary technical data

Diecast zinc, painted, Cover PBT	
Inductive resonance coupling	
Inductive and resistive loads	
1 s	
0...4 mm	
PROFINET PushPull Power	
IP 65	
10...35 °C	
1000 g	
24 V DC (21.6...26.4 V DC)	
max. 91 %	
Status indication via multi-coloured LED	
Note	

preliminary technical data

Diecast zinc, painted, Cover PBT	
Inductive resonance coupling	
Inductive and resistive loads	
1 s	
0...4 mm	
PROFINET PushPull Power	
IP 65	
10...35 °C	
1000 g	
24 V DC (21.6...26.4 V DC)	
10	
max. 91 %	
Status indication via multi-coloured LED	
Note	

Ordering data

Type	Qty.	Order No.
IE-CL240W-PP-BASE	1	1547440000
Note		

Type	Qty.	Order No.
IE-CL240W-PP-BASE	1	1547440000
Note		

Type	Qty.	Order No.
IE-CL240W-PP-REMOTE	1	1547450000
Note		

Accessories

Plug	Type	Qty.	Order No.
PushPull Power	IE-PS-VAPM-24V	10	1068910000
Note			

Type	Qty.	Order No.
IE-PS-VAPM-24V	10	1068910000
Note		

Type	Qty.	Order No.
IE-PS-VAPM-24V	10	1068910000
Note		

Note

Note

Note



Device
Manufacturers



Transportation



Energy



Process



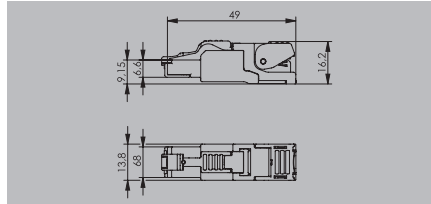
Machinery

Technical data

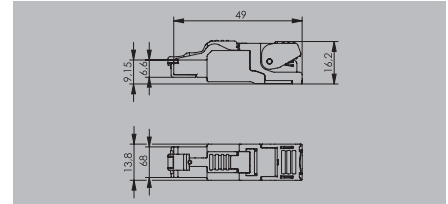
RJ45 plug, tool-free, straight

- Fieldattachable
- Cat. 6_A (8-wire)
- Multi-port-compatible
- IP 20

8-wire, insulation cross-section 1...1.6 mm



8-wire, insulation cross-section 0.85...1.1 mm



Technical data

Category	Cat.6 _A / Class E _A (ISO/IEC 11801 2010)
Protection degree	IP 20
Housing main material	Zinc diecast, nickel-plated
Connection diameter, flexible, min. / max.	0.46 mm / 0.76 mm
Connection cross-section, flexible, min. / max.	AWG 27 / AWG 22
Connection diameter, solid, min. / max.	0.51 mm / 0.64 mm
Connection cross-section, solid, min. / max.	AWG 24 / AWG 22
Connection diameter, very finely stranded, min./max.	0.61 mm / 0.78 mm / Approval of the cable by Weidmüller necessary
Connection cross-section, very finely stranded, min./max.	AWG 24 / AWG 22 / Approval of the cable by Weidmüller necessary
Insulation diameter, min. / max.	1 mm / 1.6 mm
Sheath diameter, min. / max.	5 mm / 9 mm
Contact surface	Gold over nickel
Shielding	360° all-round enclosure
Plugging cycles	750
Ambient temperature (operational)	-40 °C...85 °C
Contact resistance	≤ 20 mΩ
Insulation resistance	> 500 MΩ
Dielectric strength, contact / contact	≥ 1000 V DC
Dielectric strength, contact / shield	≥ 1500 V DC
Connector standard	IEC 60603-7-51
Current-carrying capacity at 50 °C	1 A
Speed	10 GBit
PoE / PoE+	conforming to IEEE 802.3at
Approvals	CULUS
Note	

Category	Cat.6 _A / Class E _A (ISO/IEC 11801 2010)
Protection degree	IP 20
Housing main material	Zinc diecast, nickel-plated
Connection diameter, flexible, min. / max.	0.46 mm / 0.61 mm
Connection cross-section, flexible, min. / max.	AWG 27 / AWG 24
Connection diameter, solid, min. / max.	0.41 mm / 0.51 mm
Connection cross-section, solid, min. / max.	AWG 26 / AWG 24
Connection diameter, very finely stranded, min./max.	0.51 mm / / Approval of the cable by Weidmüller necessary
Connection cross-section, very finely stranded, min./max.	AWG 26 / / Approval of the cable by Weidmüller necessary
Insulation diameter, min. / max.	0.85 mm / 1.1 mm
Sheath diameter, min. / max.	5 mm / 9 mm
Contact surface	Gold over nickel
Shielding	360° all-round enclosure
Plugging cycles	750
Ambient temperature (operational)	-40 °C...85 °C
Contact resistance	≤ 20 mΩ
Insulation resistance	> 500 MΩ
Dielectric strength, contact / contact	≥ 1000 V DC
Dielectric strength, contact / shield	≥ 1500 V DC
Connector standard	IEC 60603-7-51
Current-carrying capacity at 50 °C	1 A
Speed	10 GBit
PoE / PoE+	conforming to IEEE 802.3at
Approvals	CULUS
Note	

Category	Cat.6 _A / Class E _A (ISO/IEC 11801 2010)
Protection degree	IP 20
Housing main material	Zinc diecast, nickel-plated
Connection diameter, flexible, min. / max.	0.46 mm / 0.61 mm
Connection cross-section, flexible, min. / max.	AWG 27 / AWG 24
Connection diameter, solid, min. / max.	0.41 mm / 0.51 mm
Connection cross-section, solid, min. / max.	AWG 26 / AWG 24
Connection diameter, very finely stranded, min./max.	0.51 mm / / Approval of the cable by Weidmüller necessary
Connection cross-section, very finely stranded, min./max.	AWG 26 / / Approval of the cable by Weidmüller necessary
Insulation diameter, min. / max.	0.85 mm / 1.1 mm
Sheath diameter, min. / max.	5 mm / 9 mm
Contact surface	Gold over nickel
Shielding	360° all-round enclosure
Plugging cycles	750
Ambient temperature (operational)	-40 °C...85 °C
Contact resistance	≤ 20 mΩ
Insulation resistance	> 500 MΩ
Dielectric strength, contact / contact	≥ 1000 V DC
Dielectric strength, contact / shield	≥ 1500 V DC
Connector standard	IEC 60603-7-51
Current-carrying capacity at 50 °C	1 A
Speed	10 GBit
PoE / PoE+	conforming to IEEE 802.3at
Approvals	CULUS
Note	


Ordering data

Plug	
	with printing: EIA / TIA 568-A
	with printing: EIA/TIA 568-B
Note	

Type	Qty.	Order No.
IE-PS-RJ45-FH-180-A-1.6	1	1992820000
IE-PS-RJ45-FH-180-B-1.6	1	1992830000
With pre-installed dust cap		

Type	Qty.	Order No.
IE-PS-RJ45-FH-180-A-1.1	1	1992850000
IE-PS-RJ45-FH-180-B-1.1	1	1992860000
With pre-installed dust cap		

Accessories

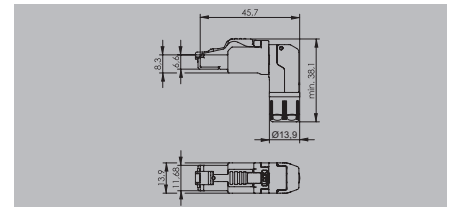
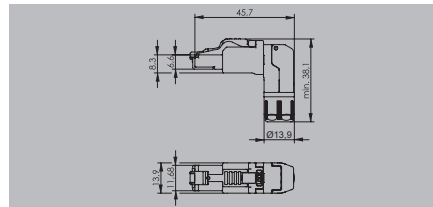
Substitute wire manager	
	TIA-A, insulation cross-section 1...1.6 mm
	TIA-B, insulation cross-section 1...1.6 mm
	TIA-A, insulation cross-section 0.85...1 mm
	TIA-B, insulation cross-section 0.85...1 mm
Tools	
	Optional pressing tool
Note	

Type	Qty.	Order No.
IE-PI-RJ45-FH-A-1.6	30	1992880000
IE-PI-RJ45-FH-B-1.6	30	1992900000
PWZ RJ45	1	1118040000

Type	Qty.	Order No.
IE-PI-RJ45-FH-A-1.1	30	1992920000
IE-PI-RJ45-FH-B-1.1	30	1992930000
PWZ RJ45	1	1118040000

RJ45 plug, tool-free, angled

- Fieldattachable
- Cat. 6_A (8-wire)
- Multi-port-compatible
- IP 20

8-wire, insulation cross-section 1...1.6 mm**8-wire, insulation cross-section 0.85...1.1 mm****Technical data**

Category
Protection degree
Housing main material
Connection diameter, flexible, min. / max.
Connection cross-section, flexible, min. / max.
Connection diameter, solid, min. / max.
Connection cross-section, solid, min. / max.
Connection diameter, very finely stranded, min./max.
Connection cross-section, very finely stranded, min./max.

Insulation diameter, min. / max.
Sheath diameter, min. / max.
Contact surface
Shielding
Plugging cycles
Ambient temperature (operational)
Contact resistance
Insulation resistance
Dielectric strength, contact / contact
Dielectric strength, contact / shield
Connector standard
Current-carrying capacity at 50 °C
Speed
PoE / PoE+
Approvals

Note

Cat.6 _A / Class E _A (ISO/IEC 11801 2010)
IP 20
Zinc diecast, nickel-plated
0.46 mm / 0.76 mm
AWG 27 / AWG 22
0.51 mm / 0.64 mm
AWG 24 / AWG 22
0.61 mm / 0.78 mm / Approval of the cable by Weidmüller necessary
AWG 24 / AWG 22 / Approval of the cable by Weidmüller necessary

1 mm / 1.6 mm
5 mm / 9 mm
Gold over nickel
360° all-round enclosure
750
-40 °C...85 °C
≤ 20 mΩ
> 500 MΩ
≥ 1000 V DC
≥ 1500 V DC
IEC 60603-7-51
1 A
10 GBit
conforming to IEEE 802.3at
CULUS

Cat.6 _A / Class E _A (ISO/IEC 11801 2010)
IP 20
Zinc diecast, nickel-plated
0.46 mm / 0.61 mm
AWG 27 / AWG 24
0.41 mm / 0.51 mm
AWG 26 / AWG 24
0.51 mm / / Approval of the cable by Weidmüller necessary
AWG 26 / / Approval of the cable by Weidmüller necessary

0.85 mm / 1.1 mm
5 mm / 9 mm
Gold over nickel
360° all-round enclosure
750
-40 °C...85 °C
≤ 20 mΩ
> 500 MΩ
≥ 1000 V DC
≥ 1500 V DC
IEC 60603-7-51
1 A
10 GBit
conforming to IEEE 802.3at
CULUS

Ordering data

Plug
with printing: EIA / TIA 568-A
with printing: EIA/TIA 568-B

Note

Type	Qty.	Order No.
IE-PS-RJ45-FH-90-A-1.6	1	1992870000
IE-PS-RJ45-FH-90-B-1.6	1	1992890000

With pre-installed dust cap

Type	Qty.	Order No.
IE-PS-RJ45-FH-90-A-1.1	10	1518080000
IE-PS-RJ45-FH-90-B-1.1	10	1518090000

With pre-installed dust cap

Accessories

Substitute wire manager
TIA-A, insulation cross-section 1...1.6 mm
TIA-B, insulation cross-section 1...1.6 mm
TIA-A, insulation cross-section 0.85...1 mm
TIA-B, insulation cross-section 0.85...1 mm

Tools

Optional pressing tool

Type	Qty.	Order No.
IE-PI-RJ45-FH-A-1.6	30	1992880000
IE-PI-RJ45-FH-B-1.6	30	1992900000

Type	Qty.	Order No.
PWZ RJ45	1	1118040000

Type	Qty.	Order No.
IE-PI-RJ45-FH-A-1.1	30	1992920000
IE-PI-RJ45-FH-B-1.1	30	1992930000

Type	Qty.	Order No.
PWZ RJ45	1	1118040000

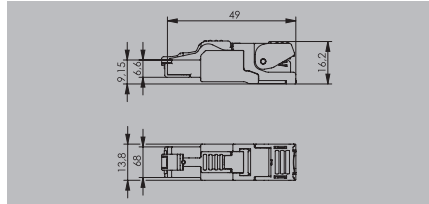
Note

RJ45 plug, tool-free, straight & angled

- Fieldattachable
- Cat. 5 (4-wire) for PROFINET
- Multi-port-compatible
- IP 20

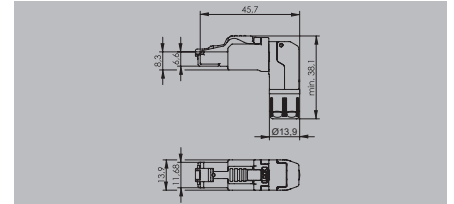
4-wire for PROFINET

straight



4-wire for PROFINET

angled



Technical data

Category	Cat.5 (ISO/IEC 11801)
Protection degree	IP 20
Housing main material	Zinc diecast, nickel-plated
Connection diameter, flexible, min. / max.	0.46 mm / 0.76 mm
Connection cross-section, flexible, min. / max.	AWG 27 / AWG 22
Connection diameter, solid, min. / max.	0.51 mm / 0.64 mm
Connection cross-section, solid, min. / max.	AWG 24 / AWG 22
Connection diameter, very finely stranded, min./max.	0.61 mm / 0.78 mm / Approval of the cable by Weidmüller necessary
Connection cross-section, very finely stranded, min./max.	AWG 24 / AWG 22 / Approval of the cable by Weidmüller necessary
Insulation diameter, min. / max.	1 mm / 1.6 mm
Sheath diameter, min. / max.	5 mm / 9 mm
Contact surface	Gold over nickel
Shielding	360° all-round enclosure
Plugging cycles	750
Ambient temperature (operational)	-40 °C...85 °C
Contact resistance	≤ 20 mΩ
Insulation resistance	> 500 MΩ
Dielectric strength, contact / contact	≥ 1000 V DC
Dielectric strength, contact / shield	≥ 1500 V DC
Connector standard	IEC 60603-7-51
Current-carrying capacity at 50 °C	1 A
Speed	100 MBit
PoE / PoE+	conforming to IEEE 802.3at
Approvals	CULUS
Note	

Category	Cat.5 (ISO/IEC 11801)
Protection degree	IP 20
Housing main material	Zinc diecast, nickel-plated
Connection diameter, flexible, min. / max.	0.46 mm / 0.76 mm
Connection cross-section, flexible, min. / max.	AWG 27 / AWG 22
Connection diameter, solid, min. / max.	0.51 mm / 0.64 mm
Connection cross-section, solid, min. / max.	AWG 24 / AWG 22
Connection diameter, very finely stranded, min./max.	0.61 mm / 0.78 mm / Approval of the cable by Weidmüller necessary
Connection cross-section, very finely stranded, min./max.	AWG 24 / AWG 22 / Approval of the cable by Weidmüller necessary
Insulation diameter, min. / max.	1 mm / 1.6 mm
Sheath diameter, min. / max.	5 mm / 9 mm
Contact surface	Gold over nickel
Shielding	360° all-round enclosure
Plugging cycles	750
Ambient temperature (operational)	-40 °C...85 °C
Contact resistance	≤ 20 mΩ
Insulation resistance	> 500 MΩ
Dielectric strength, contact / contact	≥ 1000 V DC
Dielectric strength, contact / shield	≥ 1500 V DC
Connector standard	IEC 60603-7-51
Current-carrying capacity at 50 °C	1 A
Speed	100 MBit
PoE / PoE+	conforming to IEEE 802.3at
Approvals	CULUS
Note	

Category	Cat.5 (ISO/IEC 11801)
Protection degree	IP 20
Housing main material	Zinc diecast, nickel-plated
Connection diameter, flexible, min. / max.	0.46 mm / 0.76 mm
Connection cross-section, flexible, min. / max.	AWG 27 / AWG 22
Connection diameter, solid, min. / max.	0.51 mm / 0.64 mm
Connection cross-section, solid, min. / max.	AWG 24 / AWG 22
Connection diameter, very finely stranded, min./max.	0.61 mm / 0.78 mm / Approval of the cable by Weidmüller necessary
Connection cross-section, very finely stranded, min./max.	AWG 24 / AWG 22 / Approval of the cable by Weidmüller necessary
Insulation diameter, min. / max.	1 mm / 1.6 mm
Sheath diameter, min. / max.	5 mm / 9 mm
Contact surface	Gold over nickel
Shielding	360° all-round enclosure
Plugging cycles	750
Ambient temperature (operational)	-40 °C...85 °C
Contact resistance	≤ 20 mΩ
Insulation resistance	> 500 MΩ
Dielectric strength, contact / contact	≥ 1000 V DC
Dielectric strength, contact / shield	≥ 1500 V DC
Connector standard	IEC 60603-7-51
Current-carrying capacity at 50 °C	1 A
Speed	100 MBit
PoE / PoE+	conforming to IEEE 802.3at
Approvals	CULUS
Note	

Ordering data

Plug	
	with printing: PROFINET
Note	

Type	Qty.	Order No.
IE-PS-RJ45-FH-180-P-1.6	1	1992840000
With pre-installed dust cap		

Type	Qty.	Order No.
IE-PS-RJ45-FH-90-P-1.6	10	1518100000
With pre-installed dust cap		

Accessories

Substitute wire manager	
	PROFINET, insulation cross-section 1...1.6 mm
Tools	
	Optional pressing tool

Type	Qty.	Order No.
IE-PI-RJ45-FH-P-1.6	30	1992910000
PWZ RJ45	1	1118040000

Type	Qty.	Order No.
IE-PI-RJ45-FH-P-1.6	30	1992910000
PWZ RJ45	1	1118040000

Note	
------	--

Note	
------	--

Note	
------	--



Device
Manufacturers



Transportation



Energy



Process



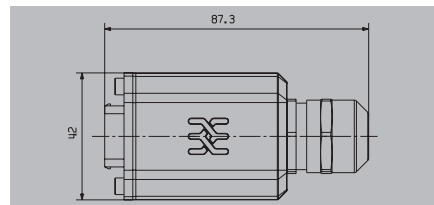
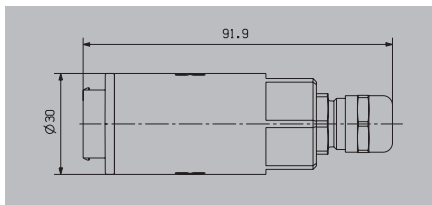
Machinery

Technical data

FreeCon V14 cable coupling

RJ45 cable coupling

PushPull Power cable coupling



Technical data

General data	
Housing main material	diecast aluminium
Protection degree	IP 65
Ambient temperature (operational)	-40 °C...70 °C
Connector standard	IEC 61076-3-117 Var. 14, IEC 60603-7-5
Approvals	
Technical specifications power connector	
Housing base material	
Sealing material	
Contact material	
Contact carrier material	
Contact surface	
Plugging cycles	
No. of poles	
Sheath diameter, min. / max.	
Connection	
Electrical properties power connector	
Current-carrying capacity at 50 °C	
Rated voltage	
Technical specifications for RJ45 module	
Housing base material	Zinc diecast, nickel-plated
Contact surface	Gold over nickel
Connection cross-section, flexible, min. / max.	AWG 26 / AWG 22
Connection 1	IDC
Sheath diameter, min./max.	5 mm / 10 mm
Electrical properties for RJ45 module	
Category	Cat.5 (ISO/IEC 11801)
Contact resistance	≤ 20 mΩ
Insulation resistance	> 500 MΩ
Dielectric strength, contact - contact, max.	≤ 1000 V DC
Dielectric strength, contact - contact, min.	≤ 1500 V DC
Current carrying capacity	1 A
Note	

General data		
Housing main material	diecast aluminium	
Protection degree	IP 65	
Ambient temperature (operational)	-40 °C...70 °C	
Connector standard	IEC 61076-3-117 Var. 14, IEC 60603-7-5	
Approvals		
Technical specifications power connector		
Housing base material		Zinc diecast, nickel-plated
Sealing material		NBR
Contact material		Copper alloy
Contact carrier material		PA
Contact surface		Gold over nickel
Plugging cycles		
No. of poles		5
Sheath diameter, min. / max.		6 mm / 12 mm
Connection		Tension clamp
Electrical properties power connector		
Current-carrying capacity at 50 °C		16 A
Rated voltage		24 V
Technical specifications for RJ45 module		
Housing base material	Zinc diecast, nickel-plated	
Contact surface	Gold over nickel	
Connection cross-section, flexible, min. / max.	AWG 26 / AWG 22	
Connection 1	IDC	
Sheath diameter, min./max.	5 mm / 10 mm	
Electrical properties for RJ45 module		
Category	Cat.5 (ISO/IEC 11801)	
Contact resistance	≤ 20 mΩ	
Insulation resistance	> 500 MΩ	
Dielectric strength, contact - contact, max.	≤ 1000 V DC	
Dielectric strength, contact - contact, min.	≤ 1500 V DC	
Current carrying capacity	1 A	
Note		
We recommend using 10-mm-long wire-end ferrules		

General data		
Housing main material	diecast aluminium	
Protection degree	IP 65	
Ambient temperature (operational)	-40 °C...70 °C	
Connector standard		
Approvals		
Technical specifications power connector		
Housing base material		Zinc diecast, nickel-plated
Sealing material		NBR
Contact material		Copper alloy
Contact carrier material		PA
Contact surface		Gold over nickel
Plugging cycles		
No. of poles		5
Sheath diameter, min. / max.		6 mm / 12 mm
Connection		Tension clamp
Electrical properties power connector		
Current-carrying capacity at 50 °C		16 A
Rated voltage		24 V
Technical specifications for RJ45 module		
Housing base material	Zinc diecast, nickel-plated	
Contact surface	Gold over nickel	
Connection cross-section, flexible, min. / max.	AWG 26 / AWG 22	
Connection 1	IDC	
Sheath diameter, min./max.	5 mm / 10 mm	
Electrical properties for RJ45 module		
Category	Cat.5 (ISO/IEC 11801)	
Contact resistance	≤ 20 mΩ	
Insulation resistance	> 500 MΩ	
Dielectric strength, contact - contact, max.	≤ 1000 V DC	
Dielectric strength, contact - contact, min.	≤ 1500 V DC	
Current carrying capacity	1 A	
Note		
We recommend using 10-mm-long wire-end ferrules		



Ordering data

Type	Qty.	Order No.
IE-CC-V14M-RJ45-FJ-P	1	1990600000
Note		

Type	Qty.	Order No.
IE-CC-V14M-RJ45-FJ-P	1	1990600000
Note		

Type	Qty.	Order No.
IE-CC-VAPM-24V	1	1990630000
Note		

Accessories

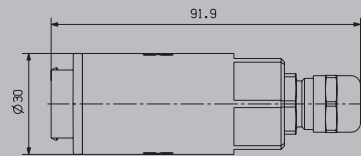
Mounting frame	
	
Dust protection cap	
	
Note	

Type	Qty.	Order No.
IE-CC-V14M-MF	1	1990620000
Note		
Type	Qty.	Order No.
IE-BP-V14P	10	1058310000
Note		

Type	Qty.	Order No.
IE-CC-VAPM-MF	1	1990640000
Note		
Type	Qty.	Order No.
IE-BP-VAPP	10	1068930000
Note		

FreeCon V14 cable coupling

Hybrid cable coupling



Technical data

General data

Housing main material
Protection degree
Ambient temperature (operational)
Approvals

diecast aluminium
IP 65
-40 °C...70 °C

Technical specifications hybrid connector

Housing base material
Sealing material
Contact material
Contact surface
Plugging cycles
Pole count
Connection cross-section, flexible, min. / max.
Connection cross-section, flexible, min. / max.

Zinc diecast (flange), PA 66
NBR
Copper alloy
Gold over nickel
500
10
AWG 27 / AWG 20
0.08 mm² / 0.75 mm²

Electrical properties hybrid connector

Rated current (hybrid connector)
Rated voltage (DIN EN 61984)
Contact resistance

3 A per contact
24 V
≤ 10 mΩ

Note

Ordering data

Note

Type	Qty.	Order No.
IE-CC-V14M-HYB-10P-FJ	1	1990610000

Accessories

Mounting frame



Crimp contacts



0.08...0.2 mm²
0.33...0.5 mm²
0.75 mm²

Crimping tool



Dust protection cap



Type	Qty.	Order No.
IE-CC-V14M-MF	1	1990620000

IE-BIC-HYB-P-0,2-300	300	1135160000
IE-BIC-HYB-P-0,5-300	300	1096150000
IE-BIC-HYB-P-0,75-300	300	1068970000

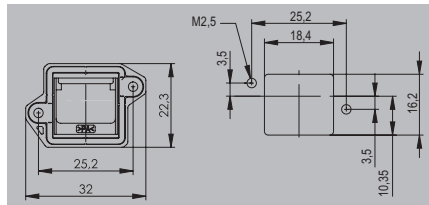
HTF HYB	1	1119580000
---------	---	------------

IE-BP-V14P	10	1058310000
------------	----	------------

Note

Device flange PushPull V4

Device flange



Technical data

Protection degree
 Housing main material
 Plugging cycles
 Ambient temperature (operational)
 Connector standard
 Sheath diameter, min. / max.
 Wall thickness, max.
 Approvals

IP 67
 PA UL 94 V0
 -40 °C...70 °C
 IEC 61076-3-106 Var. 4
 3.5 mm

Note

Ordering data

Device flange

Note

Type	Qty.	Order No.
IE-BHD-V04P	10	2027660000

Accessories

Dust protection cap
 Flange-mounted housing protective cap



Type	Qty.	Order No.
IE-BP-V04P	10	1963900000

Note



Device
Manufacturers



Transportation



Energy



Process



Machinery

Technical data

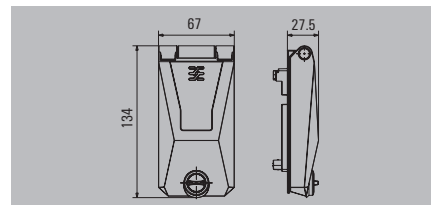
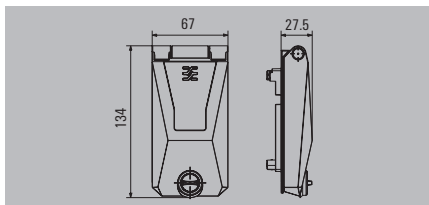
FrontCom® Vario

Frame

- IP 65

Metal cover

Plastic cover



Technical data

Protection degree
Material cover
Material frame
Ambient temperature (operational)
Approvals
Note

IP 65 in enclosed state
Zinc diecast, powder-coated
Zinc diecast
-40 °C...70 °C
CURUS; GERMLLOYD
Note

IP 65 in enclosed state
Polycarbonate PC
Zinc diecast
-40 °C...70 °C
GERMLLOYD
Note

Ordering data

Button operation
Lockable with key
Note

Type	Qty.	Order No.
IE-FC-SFM-KNOB	1	1450530000
IE-FC-SFM-KEY	1	1450540000
Note		

Type	Qty.	Order No.
IE-FC-SFP-KNOB	1	1450510000
IE-FC-SFP-KEY	1	1450520000
Note		

Accessories

Spare key
Markers
Touch-safe protection

Type	Qty.	Order No.
IE-FC-KEY	1	1465930000
SM 27/18 K MC NE SI	80	1713760000
SM 27/18 K MC NE GR	80	1073340000
SM 27/18 K MC NE WS	80	1707270000
ESG 7/20 SIRIUS MC NE WS	200	1736181044
IE-FC-PWPC	1	1450820000
Note		

Type	Qty.	Order No.
IE-FC-KEY	1	1465930000
SM 27/18 K MC NE SI	80	1713760000
SM 27/18 K MC NE GR	80	1073340000
SM 27/18 K MC NE WS	80	1707270000
ESG 7/20 SIRIUS MC NE WS	200	1736181044
IE-FC-PWPC	1	1450820000
Note		

Note

Note

Note

Technical data

Machinery

Process

Energy

Transportation

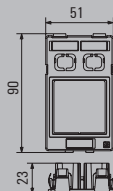
Device Manufacturers

FrontCom® Vario

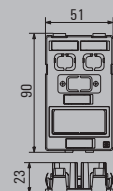
Insert plates

- IP 20

1x Power, 2x Data



1x Power, 2x Data, 1x Signal



Technical data

Material
Insert, data
Insert signal D-Sub 9-pole / VGA / HDMI
Insert, signal, D-Sub, 25-pole
Insert Power large
Insert Power small
Insert Power US
Ambient temperature (operational)
Approvals
Note

Polycarbonate PC
2
1
1
-40 °C...70 °C
GERMLLOYD

Polycarbonate PC
2
1
1
-40 °C...70 °C
GERMLLOYD

Ordering data

shielded
unshielded
Note

Type	Qty.	Order No.
IE-FC-SP-PWB/2ST	1	1450550000
IE-FC-IP-PWB/2ST	1	1450630000

Type	Qty.	Order No.
IE-FC-SP-PWS/2ST/1D9	1	1450600000
IE-FC-IP-PWS/2ST/1D9	1	1450690000

Accessories

Inserts, Power	
Socket AU 15 A	
Socket AU 10 A	
Socket CH	
Socket CN	
Socket GB	
Socket DE	
Socket DE orange	
Socket FR	
Socket FR orange	
Socket EU	
Socket IT	
Socket multi-contact	
RCBO	
Inserts, Data	
RJ45 coupling	
RJ45 module EIA/TIA T568 B	
RJ45 module PROFINET	
RJ45 module EIA/TIA T568 A	
USB 2.0 A / A	
USB 3.0 A / A	
USB 2.0 A / B	
Markers	
for touch-safe protection and insert plates	
Touch-safe protection	
Touch-safe protection	
Inserts, Signal	
D-Sub, 9-pole, female/female	
D-Sub, 9-pole, female / male	
D-Sub, 9-pole, female / solder connection	
Note	

Type	Qty.	Order No.
IE-FCI-PWB-AU	1	1450830000
IE-FCI-PWB-AU-10A	10	1546590000
IE-FCI-PWB-CH	1	1450780000
IE-FCI-PWB-CN	1	1450790000
IE-FCI-PWB-GB	1	1450770000
IE-FCI-PWB-DE	1	1450730000
IE-FCI-PWB-DE-OR	1	1554000000
IE-FCI-PWB-FR	1	1450750000
IE-FCI-PWB-FR-OR	1	2007230000
IE-FCI-PWS-EU	1	1450740000
IE-FCI-PWS-IT	1	1450810000
IE-FCI-PWB-MC	1	1529570000
IE-FCI-PWB-RCBO	1	1534250000
IE-BI-RJ45-C	10	1962840000
IE-BI-RJ45-FJ-B	10	1963840000
IE-BI-RJ45-FJ-P	10	1963830000
IE-BI-RJ45-FJ-A	10	1962850000
IE-BI-USB-A	10	1019570000
IE-BI-USB-3.0-A	1	1487920000
IE-BI-USB-AB	10	1131380000
ESG 7/20 SIRIUS MC NE WS	200	1736181044
IE-FC-PWPC	1	1450820000
IE-FCI-D9-FF	1	1450840000
IE-FCI-D9-FM	1	1450850000
IE-FCI-D9-FS	1	1450870000

Type	Qty.	Order No.
IE-FCI-PWS-EU	1	1450740000
IE-FCI-PWS-IT	1	1450810000
IE-BI-RJ45-C	10	1962840000
IE-BI-RJ45-FJ-B	10	1963840000
IE-BI-RJ45-FJ-P	10	1963830000
IE-BI-RJ45-FJ-A	10	1962850000
IE-BI-USB-A	10	1019570000
IE-BI-USB-3.0-A	1	1487920000
IE-BI-USB-AB	10	1131380000
ESG 7/20 SIRIUS MC NE WS	200	1736181044
IE-FC-PWPC	1	1450820000
IE-FCI-D9-FF	1	1450840000
IE-FCI-D9-FM	1	1450850000
IE-FCI-D9-FS	1	1450870000

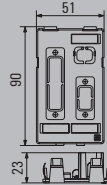


FrontCom® Vario

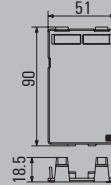
Insert plates

- IP 20

1x Data, 2x Signal



blank plate



Technical data

Material
 Insert, data
 Insert signal D-Sub 9-pole / VGA / HDMI
 Insert, signal, D-Sub, 25-pole
 Insert Power large
 Insert Power small
 Insert Power US
 Ambient temperature (operational)
 Approvals

Note

Polycarbonate PC
 1
 1
 1
 -40 °C...70 °C
 GERMLLOYD

Polycarbonate PC
 1
 1
 1
 -40 °C...70 °C
 GERMLLOYD

Ordering data

shielded
 unshielded

Note

Type	Qty.	Order No.
IE-FC-SP-1ST/1D9/1D25	1	1450580000
IE-FC-IP-1ST/1D9/1D25	1	1450650000

Type	Qty.	Order No.
IE-FC-IP-BP	1	1450710000

Accessories

Inserts, Signal

D-Sub, 9-pole, female/female
 D-Sub, 9-pole, female / male
 D-Sub, 9-pole, female / solder connection
 D-Sub, 25-pole, female / solder connection
 D-Sub, 25-pole, female/female
 D-Sub, 25-pole, female/male

Inserts, Data

RJ45 coupling
 RJ45 module EIA/TIA T568 A
 RJ45 module EIA/TIA T568 B
 RJ45 module PROFINET
 USB 2.0 A / A
 USB 3.0 A / A
 USB 2.0 A / B

Markers

for touch-safe protection and insert plates

Touch-safe protection

Touch-safe protection

Type	Qty.	Order No.
IE-FCI-D9-FF	1	1450840000
IE-FCI-D9-FM	1	1450850000
IE-FCI-D9-FS	1	1450870000
IE-FCI-D25-FF	1	1450880000
IE-FCI-D25-FM	1	1450890000
IE-FCI-D25-FS	1	1450900000
IE-BI-RJ45-C	10	1962840000
IE-BI-RJ45-FJ-A	10	1962850000
IE-BI-RJ45-FJ-B	10	1963840000
IE-BI-RJ45-FJ-P	10	1963830000
IE-BI-USB-A	10	1019570000
IE-BI-USB-3.0-A	1	1487920000
IE-BI-USB-AB	10	1131380000
ESG 7/20 SIRIUS MC NE WS	200	1736181044
IE-FC-PWPC	1	1450820000

Type	Qty.	Order No.

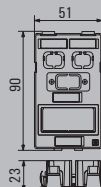
Note

FrontCom® Vario

Insert plates

- IP 20

2x Data, 2x Signal



Technical data

Material	Polycarbonate PC
Insert, data	2
Insert signal D-Sub 9-pole / VGA / HDMI	2
Insert, signal, D-Sub, 25-pole	
Insert Power large	
Insert Power small	
Insert Power US	
Ambient temperature (operational)	-40 °C...70 °C
Approvals	GERMLOYD
Note	

Material	Polycarbonate PC
Insert, data	2
Insert signal D-Sub 9-pole / VGA / HDMI	2
Insert, signal, D-Sub, 25-pole	
Insert Power large	
Insert Power small	
Insert Power US	
Ambient temperature (operational)	-40 °C...70 °C
Approvals	GERMLOYD
Note	

Ordering data

	shielded
	unshielded
Note	

Type	Qty.	Order No.
IE-FC-SP-2ST/2D9	1	1450590000
IE-FC-IP-2ST/2D9	1	1450670000

Accessories

Inserts, Data	
	RJ45 coupling
	RJ45 module EIA/TIA T568 A
	RJ45 module EIA/TIA T568 B
	RJ45 module PROFINET
	USB 2.0 A / A
	USB 2.0 A / B
	USB 3.0 A / A
Inserts, Signal	
	D-Sub, 9-pole, female / male
	D-Sub, 9-pole, female / solder connection
	D-Sub, 9-pole, female/female
Markers	
	for touch-safe protection and insert plates
Touch-safe protection	
	Touch-safe protection
Inserts, Power	
Fuse inserts	
	3 A

Type	Qty.	Order No.
IE-BI-RJ45-C	10	1962840000
IE-BI-RJ45-FJ-A	10	1962850000
IE-BI-RJ45-FJ-B	10	1963840000
IE-BI-RJ45-FJ-P	10	1963830000
IE-BI-USB-A	10	1019570000
IE-BI-USB-AB	10	1131380000
IE-BI-USB-3.0-A	1	1487920000
IE-FCI-D9-FM	1	1450850000
IE-FCI-D9-FS	1	1450870000
IE-FCI-D9-FF	1	1450840000
ESG 7/20 SIRIUS MC NE WS	200	1736181044
IE-FC-PWPC	1	1450820000

Note	
-------------	--

Note	
-------------	--

Technical data

Machinery

Process

Energy

Transportation

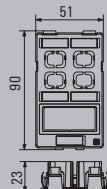
Device Manufacturers

FrontCom® Vario

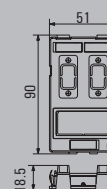
Insert plates

- IP 20

1x Power, 4x Data



1x Power, 2x Signal



Technical data

Material
Insert, data
Insert signal D-Sub 9-pole / VGA / HDMI
Insert, signal, D-Sub, 25-pole
Insert Power large
Insert Power small
Insert Power US
Ambient temperature (operational)
Approvals
Note

Polycarbonate PC
4
1
-40 °C...70 °C
GERMLLOYD

Polycarbonate PC
2
1
-40 °C...70 °C
GERMLLOYD

Ordering data

	shielded
	unshielded
Note	

Type	Qty.	Order No.
IE-FC-SP-PWS/4ST	1	1450570000
IE-FC-IP-PWS/4ST	1	1450640000

Type	Qty.	Order No.
IE-FC-SP-PWS/2D9	1	1450610000
IE-FC-IP-PWS/2D9	1	1450680000

Accessories

Inserts, Power	Socket EU
	Socket IT
Inserts, Data	RJ45 coupling
	RJ45 module EIA/TIA T568 A
	RJ45 module EIA/TIA T568 B
	RJ45 module PROFINET
	USB 2.0 A / A
	USB 3.0 A / A
	USB 2.0 A / B
Markers	for touch-safe protection and insert plates
Touch-safe protection	Touch-safe protection
Inserts, Signal	D-Sub, 9-pole, female/female
	D-Sub, 9-pole, female / male
	D-Sub, 9-pole, female / solder connection

Type	Qty.	Order No.
IE-FCI-PWS-EU	1	1450740000
IE-FCI-PWS-IT	1	1450810000
IE-BI-RJ45-C	10	1962840000
IE-BI-RJ45-FJ-A	10	1962850000
IE-BI-RJ45-FJ-B	10	1963840000
IE-BI-RJ45-FJ-P	10	1963830000
IE-BI-USB-A	10	1019570000
IE-BI-USB-3.0-A	1	1487920000
IE-BI-USB-AB	10	1131380000
ESG 7/20 SIRIUS MC NE WS	200	1736181044
IE-FC-PWPC	1	1450820000

Type	Qty.	Order No.
IE-FCI-PWS-EU	1	1450740000
IE-FCI-PWS-IT	1	1450810000
IE-FC-PWPC	1	1450820000
IE-FCI-D9-FF	1	1450840000
IE-FCI-D9-FM	1	1450850000
IE-FCI-D9-FS	1	1450870000
ESG 7/20 SIRIUS MC NE WS	200	1736181044

Note

--

--



Technical data

Machinery

Process

Energy

Transportation

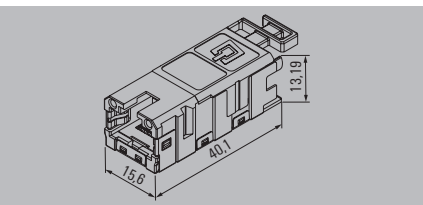
Device Manufacturers

Data inserts

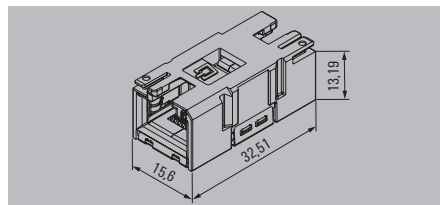
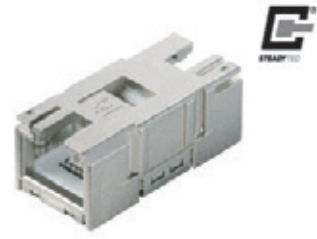
RJ45

- Cat. 6_A
- IP 20
- For housing variants 1, 4, 5, 14 and for FrontCom®

Module



Coupling



Technical data

Protection degree
Plugging cycles
Shielding
Housing main material
Contact surface
Connection cross-section, flexible, min. / max.
Connection cross-section, solid, min. / max.
Insulation diameter, min. / max.
Connector standard
Ambient temperature (operational)
PoE / PoE+
Approvals
Note

IP 67 with housing
750
360° all-round enclosure
Zinc diecast
Gold over nickel, Au ≥ 0.8 µm
AWG 26 / AWG 22
AWG 24 / AWG 22
0.85 mm...1.6 mm
IEC 60603-7-51
-40 °C...70 °C
conforming to IEEE 802.3af
CULUS
Note

IP 67 with housing
750
360° all-round enclosure
Zinc diecast
Gold over nickel, Au ≥ 0.8 µm
IEC 60603-7-51
-40 °C...70 °C
conforming to IEEE 802.3af
CULUS; GERMLLOYD
Note

Ordering data

tool-free	
	TIA-A. Cat. 6 _A
	TIA-B. Cat. 6 _A
	PROFINET Cat. 5
	Coupling
Note	

Type	Qty.	Order No.
IE-BI-RJ45-FJ-A	10	1962850000
IE-BI-RJ45-FJ-B	10	1963840000
IE-BI-RJ45-FJ-P	10	1963830000
Note		

Type	Qty.	Order No.
IE-BI-RJ45-C	10	1962840000
Note		

Accessories

Tools
Optional pressing tool
Note

Type	Qty.	Order No.
PWZ RJ45	1	1118040000
Note		

Type	Qty.	Order No.
Note		

Note

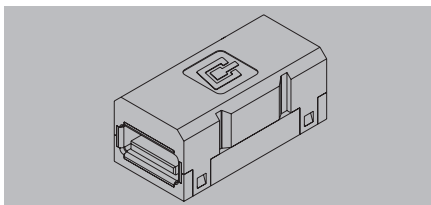
Note

Note

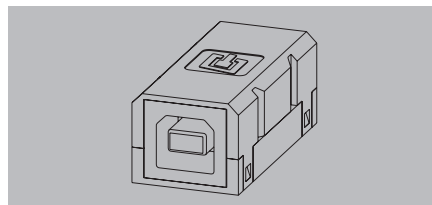
Data inserts
USB

- Cat. 6_A
- IP 20
- For housing variants 1, 4, 5, 14 and for FrontCom®

Coupling USB A/A



Coupling USB A/B



Technical data

Protection degree
Shielding
Ambient temperature (operational)
Connection 1 / 2
Connector standard
Approvals

IP 67 with housing
360° all-round enclosure
-40 °C...70 °C
USB A / USB A
IEC 61076-3-107
GERMLLOYD

IP 67 with housing
360° all-round enclosure
-40 °C...70 °C
USB A / USB B
IEC 61076-3-107
GERMLLOYD

Note

Ordering data

	USB 2.0
	USB 3.0

Note

Type	Qty.	Order No.
IE-BI-USB-A	10	1019570000
IE-BI-USB-3.0-A	1	1487920000

Type	Qty.	Order No.
IE-BI-USB-AB	10	1131380000

Accessories

Type	Qty.	Order No.

Type	Qty.	Order No.

Note

Technical data

Machinery



Process



Energy



Transportation



Device Manufacturers



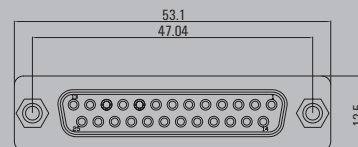
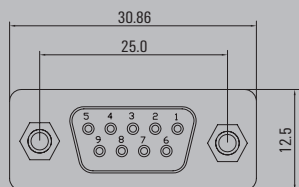
Signal inserts

D-Sub

- IP 20

9-pole

25-pole



Technical data

Protection degree
 Housing main material
 No. of poles
 Housing surface
 Contact surface
 Contact resistance
 Insulation resistance
 Dielectric strength, contact / contact
 Ambient temperature (operational)
 Approvals

IP 20
 SPCC
 9
 tin-plated
 Gold-plated
 $\leq 20 \text{ m}\Omega$
 1000 M Ω at 500 V DC
 1 kV_{eff} / 1 min.
 -55 °C...105 °C
 GERMLLOYD

IP 20
 SPCC
 25
 tin-plated
 Gold-plated
 $\leq 20 \text{ m}\Omega$
 1000 M Ω at 500 V DC
 1 kV_{eff} / 1 min.
 -55 °C...105 °C
 GERMLLOYD

Note

Ordering data

Female / Female
 Female / Male
 Female / Solder connection

Type	Qty.	Order No.
IE-FCI-D9-FF	1	1450840000
IE-FCI-D9-FM	1	1450850000
IE-FCI-D9-FS	1	1450870000

Type	Qty.	Order No.
IE-FCI-D25-FF	1	1450880000
IE-FCI-D25-FM	1	1450890000
IE-FCI-D25-FS	1	1450900000

Note

Accessories

Type	Qty.	Order No.

Type	Qty.	Order No.

Note

Technical data

Machinery

Process

Energy

Transportation

Device Manufacturers

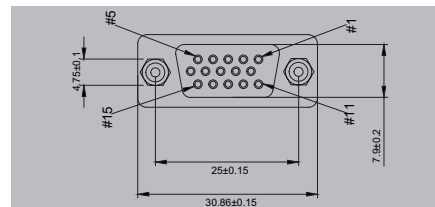
Signal inserts

- IP 20

HDMI



HD15 / VGA



Technical data

Protection degree
Housing main material
No. of poles
Housing surface
Contact surface
Contact resistance
Insulation resistance
Dielectric strength, contact / contact
Ambient temperature (operational)
Approvals
Note

IP 20
PVC casting
9
Gold-plated
-15 °C...50 °C

IP 20
25
Gold over nickel
1000 MΩ at 500 V DC
1000 V _{eff} / 1 min
-55 °C...105 °C
GERMLLOYD

Ordering data

Note

Type	Qty.	Order No.
IE-FCHDMI-FF	1	2003390000

Type	Qty.	Order No.
IE-FCHD15-FF	1	1556290000

Accessories

--

Type	Qty.	Order No.

Type	Qty.	Order No.

Note

--

--

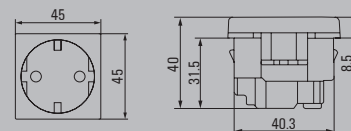
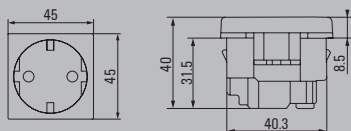
Power inserts

Sockets

- IP 20

Germany, white

Germany, orange



Technical data

Protection degree	IP 20
Housing main material	Polycarbonate PC
Type of connection	PUSH IN
Line connection cross-section	1.5 ... 1.5 mm ²
finely stranded with wire-end ferrule	1.5 ... 2.5 mm ²
finely stranded without wire-end ferrule	1.5 ... 1.5 mm ²
Conductor connection cross-section, rigid	1.5 ... 2.5 mm ²
Stripping length	10 mm
Rated voltage (AC)	250 V
Rated current	16 A
Ambient temperature (operational)	-5 °C...50 °C
Approvals	GERMLLOYD
Note	

Protection degree	IP 20
Housing main material	Polycarbonate PC
Type of connection	PUSH IN
Line connection cross-section	1.5 ... 1.5 mm ²
finely stranded with wire-end ferrule	1.5 ... 2.5 mm ²
finely stranded without wire-end ferrule	1.5 ... 1.5 mm ²
Conductor connection cross-section, rigid	1.5 ... 2.5 mm ²
Stripping length	10 mm
Rated voltage (AC)	250 V
Rated current	16 A
Ambient temperature (operational)	-5 °C...50 °C
Approvals	GERMLLOYD
Note	

Protection degree	IP 20
Housing main material	Polycarbonate PC
Type of connection	PUSH IN
Line connection cross-section	1.5 ... 1.5
finely stranded with wire-end ferrule	1.5 ... 2.5
finely stranded without wire-end ferrule	1.5 ... 1.5
Conductor connection cross-section, rigid	1.5 ... 2.5
Stripping length	10 mm
Rated voltage (AC)	250 V
Rated current	16 A
Ambient temperature (operational)	-5 °C...50 °C
Approvals	GERMLLOYD
Note	

Ordering data

Type	Qty.	Order No.
IE-FCI-PWB-DE	1	1450730000
Note		

Type	Qty.	Order No.
IE-FCI-PWB-DE	1	1450730000
Note		

Type	Qty.	Order No.
IE-FCI-PWB-DE-OR	1	1554000000
Note		

Accessories

Type	Qty.	Order No.

Type	Qty.	Order No.

Type	Qty.	Order No.

Note

Note

Note

Technical data

Machinery

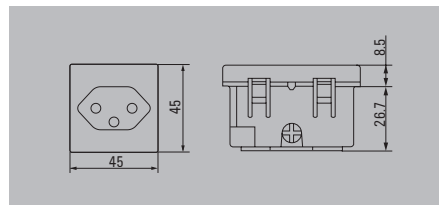
Process

Energy

Transportation

Device Manufacturers

Switzerland

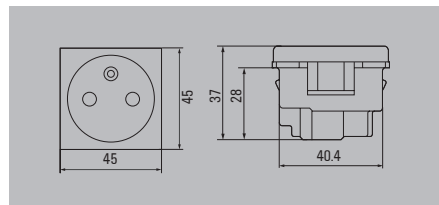


IP 20
Polycarbonate PC
PUSH IN
1.5 ... 1.5 mm ²
1.5 ... 2.5 mm ²
1.5 ... 1.5 mm ²
1.5 ... 2.5 mm ²
1.5 ... 2.5 mm ²
10 mm
250 V
10 A
-5 °C...50 °C
GERMLLOYD

Type	Qty.	Order No.
IE-FCI-PWB-CH	1	1450780000

Type	Qty.	Order No.

France, white

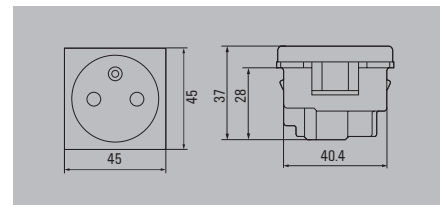


IP 20
Polycarbonate PC
PUSH IN
1.5 ... 1.5 mm ²
1.5 ... 2.5 mm ²
1.5 ... 1.5 mm ²
1.5 ... 2.5 mm ²
1.5 ... 2.5 mm ²
10 mm
250 V
16 A
-5 °C...50 °C
GERMLLOYD

Type	Qty.	Order No.
IE-FCI-PWB-FR	1	1450750000

Type	Qty.	Order No.

France, orange



IP 20
Polycarbonate PC
PUSH IN
1.5 ... 1.5 mm ²
1.5 ... 2.5 mm ²
1.5 ... 1.5 mm ²
1.5 ... 2.5 mm ²
1.5 ... 2.5 mm ²
10 mm
250 V
16 A
-5 °C...50 °C

Type	Qty.	Order No.
IE-FCI-PWB-FR-OR	1	2007230000

Type	Qty.	Order No.

Technical data

Machinery

Process

Energy

Transportation

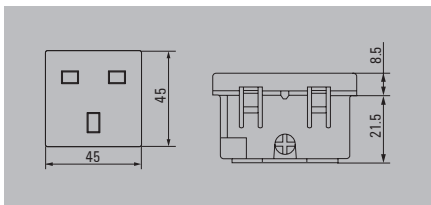
Device Manufacturers

Power inserts

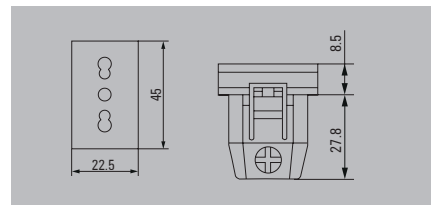
Sockets

- IP 20

UK



Italy



Technical data

Protection degree
Housing main material
Type of connection
Line connection cross-section
finely stranded with wire-end ferrule
finely stranded without wire-end ferrule
finely stranded with wire-end ferrule
finely stranded without wire-end ferrule
Conductor connection cross-section, rigid
Stripping length
Rated voltage (AC)
Rated current
Ambient temperature (operational)
Approvals
Note

IP 20
Polycarbonate PC
Screw connection
1.5 ... 2.5 mm ²
1.5 ... 4 mm ²
1.5 ... 2.5 mm ²
1.5 ... 4 mm ²
1.5 ... 4 mm ²
9 mm
250 V
13 A
-5 °C...50 °C
GERMLLOYD
Note

IP 20
Polycarbonate PC
Screw connection
1.5 ... 2.5 mm ²
1.5 ... 4 mm ²
1.5 ... 2.5 mm ²
1.5 ... 4 mm ²
1.5 ... 4 mm ²
9 mm
250 V
16 A
-5 °C...50 °C
GERMLLOYD
Note

Ordering data

Note

Type	Qty.	Order No.
IE-FCI-PWB-GB	1	1450770000
Note		

Type	Qty.	Order No.
IE-FCI-PWS-IT	1	1450810000
Note		

Accessories

Type
Qty.
Order No.

Type
Qty.
Order No.

Type
Qty.
Order No.

Note

Note

Note

Technical data

Machinery

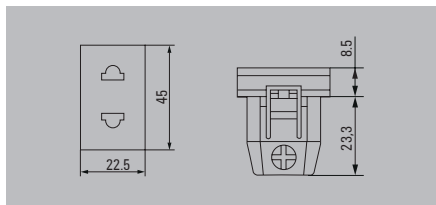
Process

Energy

Transportation

Device Manufacturers

Euro

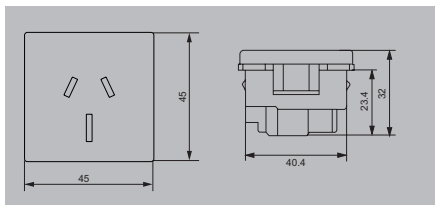


IP 20
Polycarbonate PC
Screw connection
1.5 ... 2.5 mm ²
1.5 ... 4 mm ²
1.5 ... 2.5 mm ²
1.5 ... 4 mm ²
1.5 ... 4 mm ²
9 mm
250 V
16 A
-5 °C...50 °C
GERMLLOYD

Type	Qty.	Order No.
IE-FCI-PWS-EU	1	1450740000

Type	Qty.	Order No.

Australia, 15 A

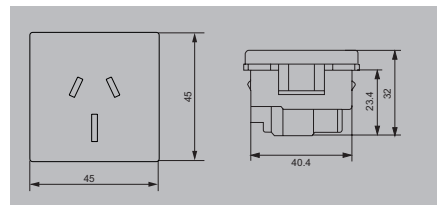


IP 20
Polycarbonate PC
Screw connection
1.5 ... 2.5 mm ²
1.5 ... 4 mm ²
1.5 ... 2.5 mm ²
1.5 ... 4 mm ²
1.5 ... 4 mm ²
9 mm
240 V
15 A
-5 °C...50 °C
GERMLLOYD

Type	Qty.	Order No.
IE-FCI-PWB-AU	1	1450830000

Type	Qty.	Order No.

Australia, 10 A



IP 20
Polycarbonate PC
Screw connection
1.5 ... 2.5 mm ²
1.5 ... 4 mm ²
1.5 ... 2.5 mm ²
1.5 ... 4 mm ²
1.5 ... 4 mm ²
9 mm
240 V
10 A
-5 °C...50 °C
GERMLLOYD

Type	Qty.	Order No.
IE-FCI-PWB-AU-10A	10	1546590000

Type	Qty.	Order No.

Technical data

Machinery

Process

Energy

Transportation

Device Manufacturers

Power inserts

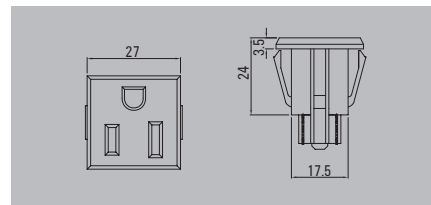
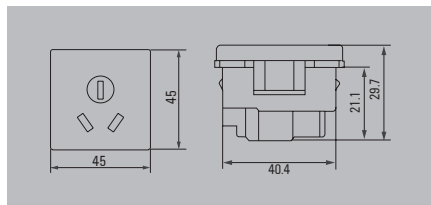
Sockets

- IP 20

China



USA



Technical data

Protection degree	IP 20
Housing main material	Polycarbonate PC
Type of connection	Screw connection
Line connection cross-section	1.5 ... 2.5 mm ²
finely stranded with wire-end ferrule	1.5 ... 4 mm ²
finely stranded without wire-end ferrule	1.5 ... 2.5 mm ²
finely stranded with wire-end ferrule	1.5 ... 4 mm ²
finely stranded without wire-end ferrule	1.5 ... 4 mm ²
Conductor connection cross-section, rigid	1.5 ... 4 mm ²
Stripping length	9 mm
Rated voltage (AC)	250 V
Rated current	10 A
Ambient temperature (operational)	-5 °C...50 °C
Approvals	GERMILLOYD
Note	

Protection degree	IP 20
Housing main material	Polycarbonate PC
Type of connection	Solder connection
Line connection cross-section	1.5 ... 2.5 mm ²
finely stranded with wire-end ferrule	1.5 ... 4 mm ²
finely stranded without wire-end ferrule	1.5 ... 2.5 mm ²
finely stranded with wire-end ferrule	1.5 ... 4 mm ²
finely stranded without wire-end ferrule	1.5 ... 4 mm ²
Conductor connection cross-section, rigid	1.5 ... 4 mm ²
Stripping length	9 mm
Rated voltage (AC)	125 V
Rated current	15 A
Ambient temperature (operational)	-20 °C...85 °C
Approvals	GERMILLOYD
Note	

Protection degree	IP 20
Housing main material	PA 66
Type of connection	Solder connection, FS 4.8 x 0.8
Line connection cross-section	
finely stranded with wire-end ferrule	
finely stranded without wire-end ferrule	
finely stranded with wire-end ferrule	
finely stranded without wire-end ferrule	
Conductor connection cross-section, rigid	
Stripping length	
Rated voltage (AC)	125 V
Rated current	15 A
Ambient temperature (operational)	-20 °C...85 °C
Approvals	GERMILLOYD
Note	

Ordering data

Type	Qty.	Order No.
IE-FCI-PWB-CN	1	1450790000
Note		

Type	Qty.	Order No.
IE-FCI-PWS-US	1	1450800000
For US socket the touch-safe protection is mandatory		

Type	Qty.	Order No.
VFSKHV/1,5-2,5/485	100	1491920000

Accessories

Type	Qty.	Order No.

Type	Qty.	Order No.

Type	Qty.	Order No.

Note

--

--

Technical data

Machinery

Process

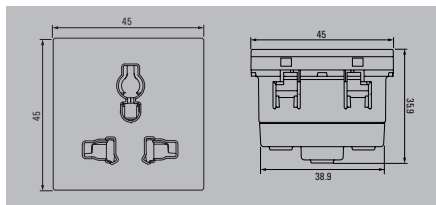
Energy

Transportation

Device Manufacturers

Multi-contact

EU, US, CN, GB, IND



IP 20
Polycarbonate PC
Screw connection
1.5 ... 2.5 mm ²
1.5 ... 4 mm ²
1.5 ... 2.5 mm ²
1.5 ... 4 mm ²
1.5 ... 4 mm ²
10 mm
250 V / 127 V
5 A / 6 A / 10 A / 13 A / 15 A
-5 °C...50 °C
GERMLLOYD

Type	Qty.	Order No.
IE-FCI-PWB-MC	1	1529570000

Type	Qty.	Order No.

Technical data

Machinery

Process

Energy

Transportation

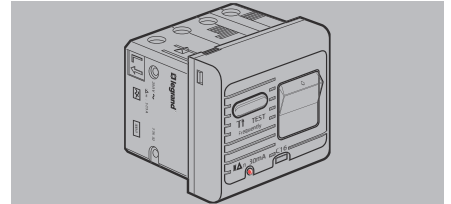
Device Manufacturers

Power inserts

RCBO

- IP 20

RCBO



Technical data

Ambient temperature (operational)
Operating voltage
Rated current
I Δ m
I Δ n
Triggering characteristic
Note

-5 °C...40 °C
230 V AC
16 A
500 A
30 mA
Typ C
Note

Ordering data

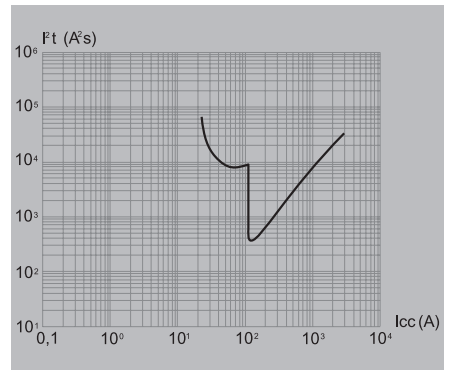
Note

Type	Qty.	Order No.
IE-FCH-PWB-RCBO	1	1534250000

Accessories

Note

Type	Qty.	Order No.
------	------	-----------



Note

Note

Note

Technical data

Machinery

Process

Energy

Transportation

Device Manufacturers

3A fuse

- IP 20

3A fuse



Technical data

Operating voltage	32 V DC, 250 V AC
Rated current	3 A
Note	

Operating voltage	32 V DC, 250 V AC
Rated current	3 A
Note	

Ordering data

Note

Type	Qty.	Order No.
IE-FCHPWCB-3A	1	1543690000

Accessories

Cable-lug sleeve	Type	Qty.	Order No.
angled 6.5	WFSKHV/1,5-2,5	100	1491970000
straight	VFSKHV/1,5-2,5/638	100	1491940000

Type	Qty.	Order No.
WFSKHV/1,5-2,5	100	1491970000
VFSKHV/1,5-2,5/638	100	1491940000

Note

Note

Technical data

Machinery



Process



Energy



Transportation



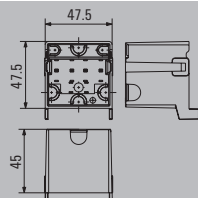
Device
Manufacturers



Accessories

Touch-safe protection

Touch-safe protection



Technical data

Length x width x height	47.5 / 47.5 / 45 mm
Material	PC
Note	

Length x width x height	47.5 / 47.5 / 45 mm
Material	PC
Note	

Ordering data

Type	Qty.	Order No.
IE-FC-PWPC	1	1450820000
Note		

Type	Qty.	Order No.
IE-FC-PWPC	1	1450820000
Note		

Accessories

Type	Qty.	Order No.

Type	Qty.	Order No.

Note	
------	--

Note	
------	--

Technical data

Machinery

Process

Energy

Transportation

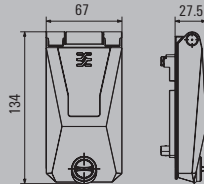
Device
Manufacturers

Sets

- shielded

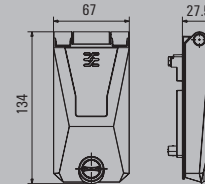
2x Data 1x Power DE

Plastic cover



2x Data 1x Power MC

Metal cover, lockable



Technical data

Frame
 Insert plate
 Data inserts
 Power inserts
 Rated voltage for socket
 Rated current for socket
 Protection degree
 products included in the set

Plastic cover
 2x data, 1x power, Shielded
 USB 2.0 A/A, RJ45 couplng Cat.6_A
 Socket DE
 250 V
 16 A
 IP 65 in enclosed state
 1450510000;1450550000;1450730000;1019570000;
 1962840000

Metal cover, Lockable with key
 2x data, 1x power, Shielded
 2 x RJ45 couplng Cat.6_A
 Multicontact socket for: EU, US, CN, GB, IND
 127 V, 250 V
 15 A (at 127 V), 5 - 6 - 10 - 13 A (at 250 V)
 IP 65 in enclosed state
 1450540000;1450550000;1529570000;1962840000

Note

Ordering data

shielded
 unshielded

Note

Accessories

Type	Qty.	Order No.
IE-FC-SET-SPDED001-KN-P	1	1529580000

Type	Qty.	Order No.

Type	Qty.	Order No.
IE-FC-SET-SPMCD002-KY-M	1	1529390000

Type	Qty.	Order No.

Note



Sets

2x Data, 1x Power

2x Data, 1x Power



Technical data

Frame
Insert plate
Data inserts
Power inserts
Rated voltage for socket
Rated current for socket
Protection degree
products included in the set
Note

Plastic cover, Lockable with key
2x data, 1x power, Shielded
USB 2.0 A/A, RJ45 coupling Cat.6 _A
Socket DE
250 V
16 A
IP 65 in enclosed state
1450520000;1450550000;1450730000;1019570000; 1962840000;1450820000
Note

Plastic cover, Lockable with key
2x data, 1x power, Unshielded
USB 2.0 A/A, RJ45 coupling Cat.6 _A
Socket DE
250 V
16 A
IP 65 in enclosed state
1450520000;1450630000;1450730000;1019570000; 1962840000;1450820000
Note

Ordering data

shielded
unshielded
Note

Type	Qty.	Order No.
IE-FC-SET-SPDEK001-KY-P	1	1989020000
Note		

Type	Qty.	Order No.
IE-FC-SET-IPDEK001-KY-P	1	1543680000
Note		

Accessories

--

Type	Qty.	Order No.

Type	Qty.	Order No.

Note

Note

Note



Device
Manufacturers



Transportation



Energy



Process



Machinery

Technical data

M8
Dip solder

Rear panel mounting

PCB clearance 5.5 mm



Ordering data

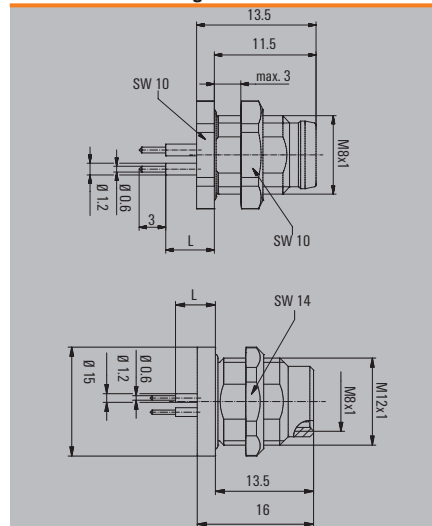
Male. straight	
	3-pole
	4-pole
	B-coded, 5-pole
Female. straight	
	4-pole
	B-coded, 5-pole
	8-pole
Note	

Type	QTY	Order No.
SAIE-M8S-3-H5.5TL	10	2421570000
SAIE-M8S-4-H5.5TL	10	2421580000
SAIE-M8S-5B-H5.5TL	10	2421590000
SAIE-M8B-4-H5.5TL	10	2421610000
SAIE-M8B-5B-H5.5TL	10	2421630000
SAIE-M8B-8-H5.5TL	10	2421650000
Note		

Technical data

Rated voltage (acc. to VDE standard 0110 ISO Group C)	60 V (3-pole) / 30 V (4-,5- and 8-pole)
Rated current	3 A (3-,4- and 5-pole) / 1.5 A (8-pole)
Temperature range	-30...+80 °C
Protection degree	IP 67
Contact surface	Au (Gold)
Housing main material	CuZn, nickel-plated
connection thread	M8
Tightening torque	M8: 0.5 - 0.6 Nm
Mounting thread	Male: M8 / Female: M12
Mounting torque range	0.6 ... 0.8 Nm
Note	

Dimensioned drawing



M8
Dip solder
shielded

Rear panel mounting

PCB clearance 8 mm



Rear panel mounting

PCB clearance 12 mm



Ordering data

Male, angled	
	3-pole
	4-pole
Female, angled	
	3-pole
	4-pole
Note	

Type	QTY	Order No.
SAIEW-M8S-3S-H8TL	10	2424300000
SAIEW-M8S-4S-H8TL	10	2424420000
SAIEW-M8B-3S-H8TL	10	2424250000
SAIEW-M8B-4S-H8TL	10	2424360000

Type	QTY	Order No.
SAIEW-M8S-3S-H12TL	10	2424330000
SAIEW-M8S-4S-H12TL	10	2424450000
SAIEW-M8B-3S-H12TL	10	2424280000
SAIEW-M8B-4S-H12TL	10	2424390000

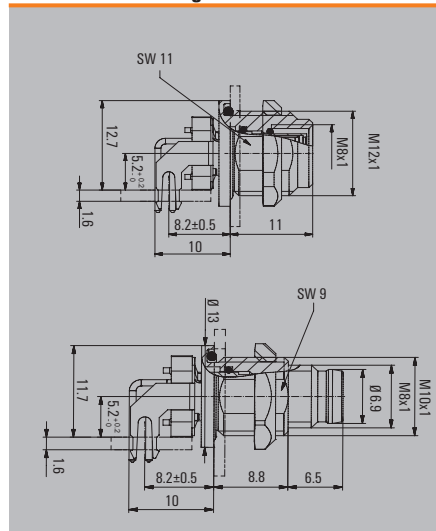
Technical data

Rated voltage (acc. to VDE standard 0110 ISO Group C)	60 V (3-pole) / 30 V (4-pole)
Rated current	3 A
Temperature range	-30...+80 °C
Protection degree	IP 67
Contact surface	Au (Gold)
Housing main material	CuZn, nickel-plated
connection thread	M8
Tightening torque	M8: 0.5 - 0.6 Nm
Mounting thread	Male: M10 / Female: M12
Mounting torque range	0.6 ... 0.8 Nm
Note	

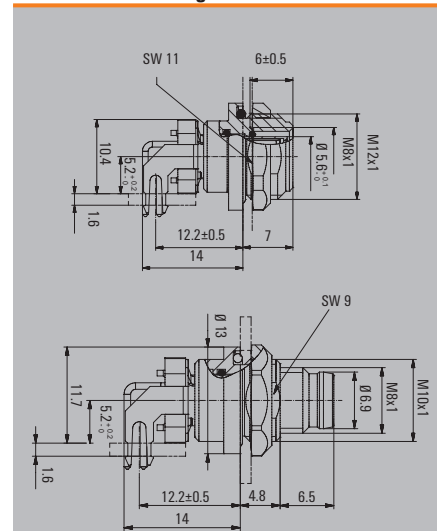
Rated voltage (acc. to VDE standard 0110 ISO Group C)	60 V (3-pole) / 30 V (4-pole)
Rated current	3 A
Temperature range	-30...+80 °C
Protection degree	IP 67
Contact surface	Au (Gold)
Housing main material	CuZn, nickel-plated
connection thread	M8
Tightening torque	M8: 0.5 - 0.6 Nm
Mounting thread	Male: M10 / Female: M12
Mounting torque range	0.6 ... 0.8 Nm
Note	

Rated voltage (acc. to VDE standard 0110 ISO Group C)	60 V (3-pole) / 30 V (4-pole)
Rated current	3 A
Temperature range	-30...+80 °C
Protection degree	IP 67
Contact surface	Au (Gold)
Housing main material	CuZn, nickel-plated
connection thread	M8
Tightening torque	M8: 0.5 - 0.6 Nm
Mounting thread	Male: M10 / Female: M12
Mounting torque range	0.6 ... 0.8 Nm
Note	

Dimensioned drawing



Dimensioned drawing



M12
Dip solder

Back panel mounting, M16

PCB clearance 5.5 mm

Back panel mounting, M16

PCB clearance 12 mm



Ordering data

Male, straight	
	4-pole
	5-pole
	8-pole
Female, straight	
	4-pole
	5-pole
	8-pole
Note	

Type	QTY	Order No.
SAIE-M12S-4-H5.5TL-M16	10	2421740000
SAIE-M12S-5-H5.5TL-M16	10	2421770000
SAIE-M12S-8-H5.5TL-M16	10	2421800000
SAIE-M12B-4-H5.5TL-M16	10	2421600000
SAIE-M12B-5-H5.5TL-M16	10	2421620000
SAIE-M12B-8-H5.5TL-M16	10	2421640000

Type	QTY	Order No.
SAIE-M12S-4-H12TL-M16	10	2421830000
SAIE-M12S-5-H12TL-M16	10	2421860000
SAIE-M12S-8-H12TL-M16	10	2421890000
SAIE-M12B-4-H12TL-M16	10	2421660000
SAIE-M12B-5-H12TL-M16	10	2421680000
SAIE-M12B-8-H12TL-M16	10	2421710000

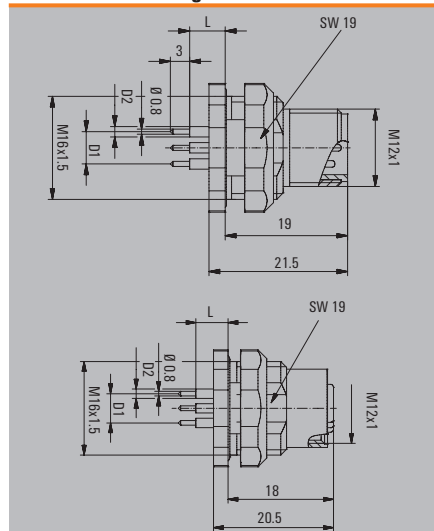
Technical data

Rated voltage (acc. to VDE standard 0110 ISO Group C)	250 V (4-pole) / 60 V (5-pole) / 30 V (8-pole)
Rated current	4 A (4- and 5-pole) / 2 A (8-pole)
Temperature range	-30...+80 °C
Protection degree	IP 67
Contact surface	Au (Gold)
Housing main material	CuZn, nickel-plated
connection thread	M12
Tightening torque	M12: 0.8 - 1.2 Nm
Mounting thread	M16
Mounting torque range	1 ... 1.2 Nm
Note	

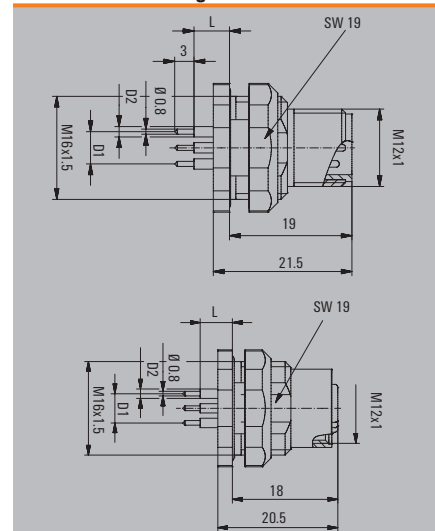
Rated voltage (acc. to VDE standard 0110 ISO Group C)	250 V (4-pole) / 60 V (5-pole) / 30 V (8-pole)
Rated current	4 A (4- and 5-pole) / 2 A (8-pole)
Temperature range	-30...+80 °C
Protection degree	IP 67
Contact surface	Au (Gold)
Housing main material	CuZn, nickel-plated
connection thread	M12
Tightening torque	M12: 0.8 - 1.2 Nm
Mounting thread	M16
Mounting torque range	1 ... 1.2 Nm
Note	

Rated voltage (acc. to VDE standard 0110 ISO Group C)	250 V (4-pole) / 60 V (5-pole) / 30 V (8-pole)
Rated current	4 A (4- and 5-pole) / 2 A (8-pole)
Temperature range	-30...+80 °C
Protection degree	IP 67
Contact surface	Au (Gold)
Housing main material	CuZn, nickel-plated
connection thread	M12
Tightening torque	M12: 0.8 - 1.2 Nm
Mounting thread	M16
Mounting torque range	1 ... 1.2 Nm
Note	

Dimensioned drawing



Dimensioned drawing



M12
Dip solder

Back panel mounting, PG9

PCB clearance 5.5 mm



Back panel mounting, PG9

PCB clearance 12 mm



Ordering data

Male, straight	
4-pole	SAIE-M12S-4-H5.5TL-PG9
5-pole	SAIE-M12S-5-H5.5TL-PG9
8-pole	SAIE-M12S-8-H5.5TL-PG9
Female, straight	
4-pole	SAIE-M12B-4-H5.5TL-PG9
5-pole	SAIE-M12B-5-H5.5TL-PG9
8-pole	SAIE-M12B-8-H5.5TL-PG9
Note	

Type	QTY	Order No.
SAIE-M12S-4-H5.5TL-PG9	10	2422100000
SAIE-M12S-5-H5.5TL-PG9	10	2422160000
SAIE-M12S-8-H5.5TL-PG9	10	2422220000
SAIE-M12B-4-H5.5TL-PG9	10	2421920000
SAIE-M12B-5-H5.5TL-PG9	10	2421980000
SAIE-M12B-8-H5.5TL-PG9	10	2422040000

Type	QTY	Order No.
SAIE-M12S-4-H12TL-PG9	10	2422130000
SAIE-M12S-5-H12TL-PG9	10	2422190000
SAIE-M12S-8-H12TL-PG9	10	2422250000
SAIE-M12B-4-H12TL-PG9	10	2421950000
SAIE-M12B-5-H12TL-PG9	10	2422010000
SAIE-M12B-8-H12TL-PG9	10	2422070000

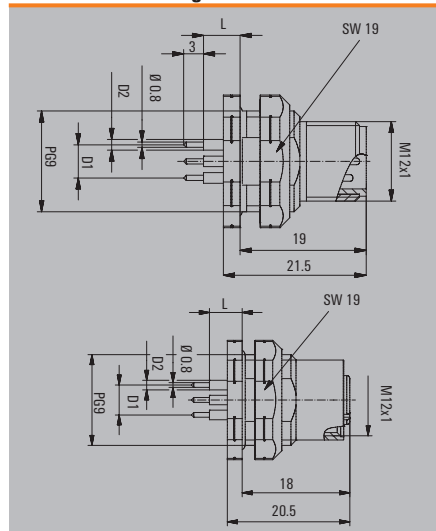
Technical data

Rated voltage (acc. to VDE standard 0110 ISO Group C)	250 V (4-pole) / 60 V (5-pole) / 30 V (8-pole)
Rated current	4 A (4- and 5-pole) / 2 A (8-pole)
Temperature range	-30...+80 °C
Protection degree	IP 67
Contact surface	Au (Gold)
Housing main material	CuZn, nickel-plated
connection thread	M12
Tightening torque	M12: 0.8 - 1.2 Nm
Mounting thread	PG9
Mounting torque range	1 ... 1.2 Nm
Note	

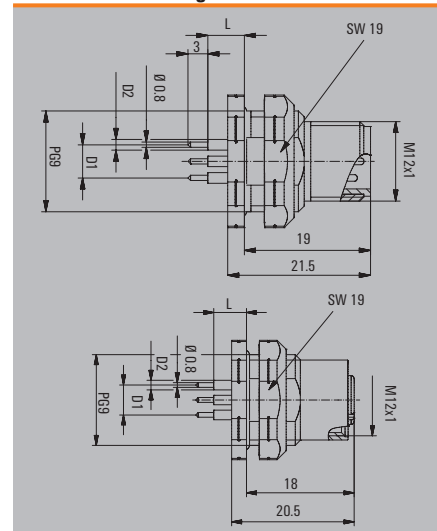
Rated voltage (4-pole) / 60 V (5-pole) / 30 V (8-pole)	250 V (4-pole) / 60 V (5-pole) / 30 V (8-pole)
4 A (4- and 5-pole) / 2 A (8-pole)	4 A (4- and 5-pole) / 2 A (8-pole)
-30...+80 °C	-30...+80 °C
IP 67	IP 67
Au (Gold)	Au (Gold)
CuZn, nickel-plated	CuZn, nickel-plated
M12	M12
M12: 0.8 - 1.2 Nm	M12: 0.8 - 1.2 Nm
PG9	PG9
1 ... 1.2 Nm	1 ... 1.2 Nm

Rated voltage (4-pole) / 60 V (5-pole) / 30 V (8-pole)	250 V (4-pole) / 60 V (5-pole) / 30 V (8-pole)
4 A (4- and 5-pole) / 2 A (8-pole)	4 A (4- and 5-pole) / 2 A (8-pole)
-30...+80 °C	-30...+80 °C
IP 67	IP 67
Au (Gold)	Au (Gold)
CuZn, nickel-plated	CuZn, nickel-plated
M12	M12
M12: 0.8 - 1.2 Nm	M12: 0.8 - 1.2 Nm
PG9	PG9
1 ... 1.2 Nm	1 ... 1.2 Nm

Dimensioned drawing



Dimensioned drawing



Technical data

Machinery

Process

Energy

Transportation

Device Manufacturers

M12
Dip solder
B-coded
D-coded shielded

Back panel mounting, M16

PCB clearance 5.5 mm



Back panel mounting, M16

PCB clearance 12 mm



Ordering data

Male, straight	B-coded, 4-pole
Female, straight	B-coded, 4-pole D-coded, 4-pole
Note	

Type	QTY	Order No.
SAIE-M12S-4B-H5.5TL-M16	10	2422370000
SAIE-M12B-4B-H5.5TL-M16	10	2422310000
SAIE-M12B-4D-H5.5TL-M16	10	2422430000

Type	QTY	Order No.
SAIE-M12S-4B-H12TL-M16	10	2422400000
SAIE-M12B-4B-H12TL-M16	10	2422340000
SAIE-M12B-4D-H12TL-M16	10	2422280000

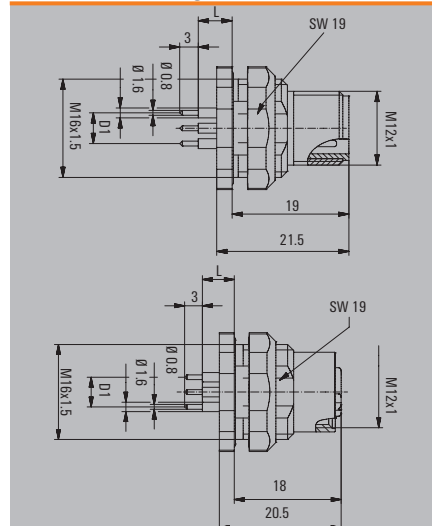
Technical data

Rated voltage (acc. to VDE standard 0110 ISO Group C)	250 V
Rated current	4 A
Temperature range	-30...+80 °C
Protection degree	IP 67
Contact surface	Au (Gold)
Housing main material	CuZn, nickel-plated
connection thread	M12
Tightening torque	M12: 0.8 - 1.2 Nm
Mounting thread	M16
Mounting torque range	1 ... 1.2 Nm
Note	

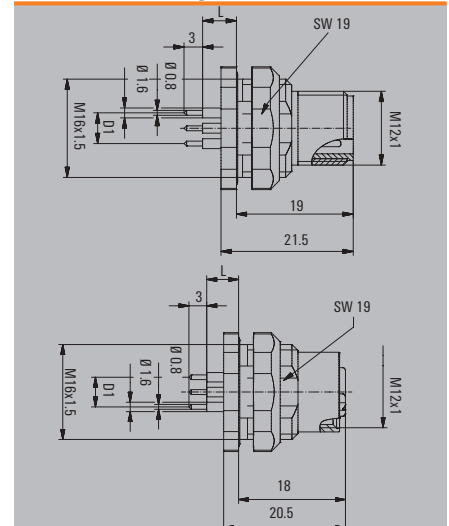
Rated voltage (acc. to VDE standard 0110 ISO Group C)	250 V
Rated current	4 A
Temperature range	-30...+80 °C
Protection degree	IP 67
Contact surface	Au (Gold)
Housing main material	CuZn, nickel-plated
connection thread	M12
Tightening torque	M12: 0.8 - 1.2 Nm
Mounting thread	M16
Mounting torque range	1 ... 1.2 Nm
Note	

Rated voltage (acc. to VDE standard 0110 ISO Group C)	250 V
Rated current	4 A
Temperature range	-30...+80 °C
Protection degree	IP 67
Contact surface	Au (Gold)
Housing main material	CuZn, nickel-plated
connection thread	M12
Tightening torque	M12: 0.8 - 1.2 Nm
Mounting thread	M16
Mounting torque range	1 ... 1.2 Nm
Note	

Dimensioned drawing



Dimensioned drawing



M12
Dip solder
B-coded
D-coded shielded

Back panel mounting, PG9

PCB clearance 5.5 mm



Back panel mounting, PG9

PCB clearance 12 mm



Ordering data

Male. straight	B-coded, 4-pole
Female. straight	B-coded, 4-pole D-coded, 4-pole
Note	

Type	QTY	Order No.
SAIE-M12SB-4-H5.5TL-PG9	10	2421700000
SAIE-M12BB-4-H5.5TL-PG9	10	2424490000
SAIE-M12BD-4-H5.5TL-PG9	10	2424440000

Type	QTY	Order No.
SAIE-M12SB-4-H12TL-PG9	10	2421730000
SAIE-M12BB-4-H12TL-PG9	10	2424510000
SAIE-M12BD-4-H12TL-PG9	10	2424470000

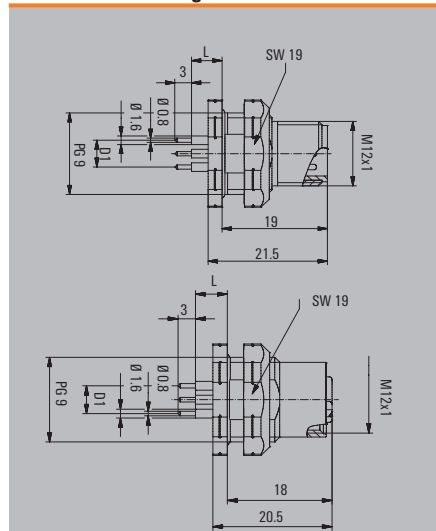
Technical data

Rated voltage (acc. to VDE standard 0110 ISO Group C)
Rated current
Temperature range
Protection degree
Contact surface
Housing main material
connection thread
Tightening torque
Mounting thread
Mounting torque range
Note

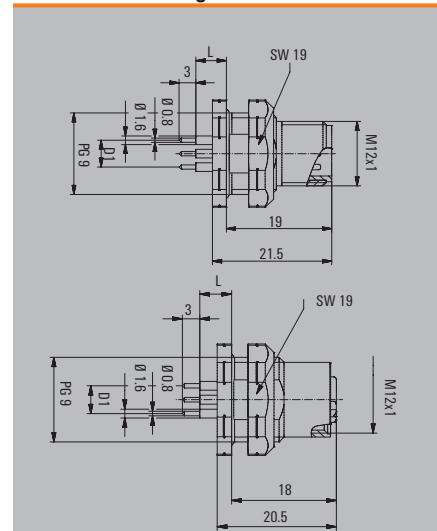
250 V
4 A
-30...+80 °C
IP 67
Au (Gold)
CuZn, nickel-plated
M12
M12: 0.8 - 1.2 Nm
PG9
1 ... 1.2 Nm

250 V
4 A
-30...+80 °C
IP 67
Au (Gold)
CuZn, nickel-plated
M12
M12: 0.8 - 1.2 Nm
PG9
1 ... 1.2 Nm

Dimensioned drawing



Dimensioned drawing



Technical data

Machinery

Process

Energy

Transportation

Device Manufacturers

M12
Dip solder

Rear panel mounting

Front mounting



Ordering data

Male, angled	
	4-pole
	5-pole
Female, angled	
	4-pole
	5-pole
Note	

Type	QTY	Order No.
SAIEW-M12S-4-HTL	10	2423660000
SAIEW-M12S-5-HTL	10	2423720000
SAIEW-M12B-4-HTL	10	2423420000
SAIEW-M12B-5-HTL	10	2423480000
Note		

Type	QTY	Order No.
SAIEW-M12S-4-FTL	10	2423780000
SAIEW-M12S-5-FTL	10	2423840000
SAIEW-M12B-4-FTL	10	2423540000
SAIEW-M12B-5-FTL	10	2423600000
Note		

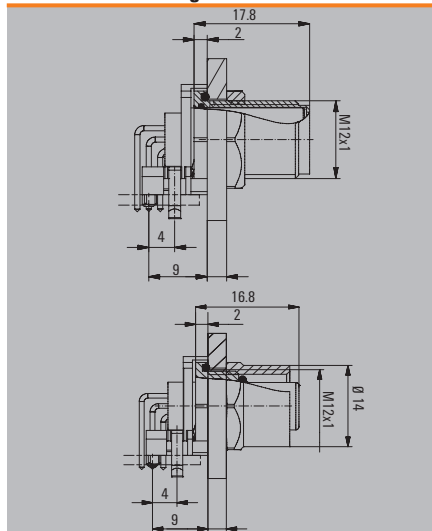
Technical data

Rated voltage (acc. to VDE standard 0110 ISO Group C)	250 V (4-pole) / 60 V (5-pole)
Rated current	4 A
Temperature range	-30...+80 °C
Protection degree	IP 67
Contact surface	Au (Gold)
Housing main material	CuZn, nickel-plated
connection thread	M12
Tightening torque	M12: 0.8 - 1.2 Nm
Mounting thread	M12
Mounting torque range	0.8 ... 1 Nm
Note	

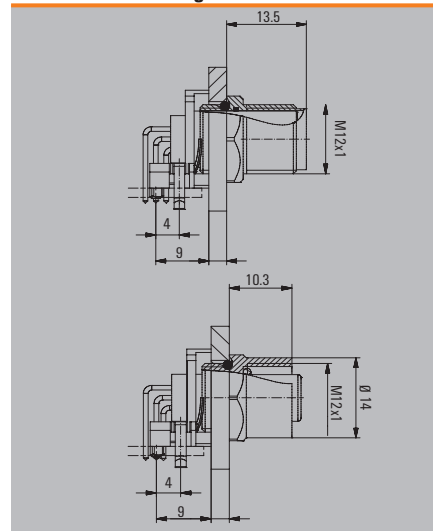
Rated voltage (acc. to VDE standard 0110 ISO Group C)	250 V (4-pole) / 60 V (5-pole)
Rated current	4 A
Temperature range	-30...+80 °C
Protection degree	IP 67
Contact surface	Au (Gold)
Housing main material	CuZn, nickel-plated
connection thread	M12
Tightening torque	M12: 0.8 - 1.2 Nm
Mounting thread	M12
Mounting torque range	0.8 ... 1 Nm
Note	

Rated voltage (acc. to VDE standard 0110 ISO Group C)	250 V (4-pole) / 60 V (5-pole)
Rated current	4 A
Temperature range	-30...+80 °C
Protection degree	IP 67
Contact surface	Au (Gold)
Housing main material	CuZn, nickel-plated
connection thread	M12
Tightening torque	M12: 0.8 - 1.2 Nm
Mounting thread	M12
Mounting torque range	0.8 ... 1 Nm
Note	

Dimensioned drawing



Dimensioned drawing



Technical data

Machinery

Process

Energy

Transportation

Device Manufacturers

M12
Dip solder
shielded

Rear panel mounting

Front mounting



Ordering data

Male, angled	
	4-pole
	5-pole
Female, angled	
	4-pole
	5-pole
Note	

Type	QTY	Order No.
SAIEW-M12S-4S-HTL	10	2423690000
SAIEW-M12S-5S-HTL	10	2423750000
SAIEW-M12B-4S-HTL	10	2423450000
SAIEW-M12B-5S-HTL	10	2423510000
Note		

Type	QTY	Order No.
SAIEW-M12S-4S-FTL	10	2423810000
SAIEW-M12S-5S-FTL	10	2423870000
SAIEW-M12B-4S-FTL	10	2423570000
SAIEW-M12B-5S-FTL	10	2423630000
Note		

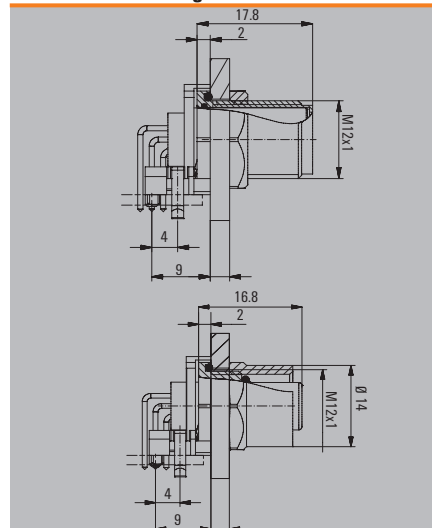
Technical data

Rated voltage (acc. to VDE standard 0110 ISO Group C)	250 V (4-pole) / 60 V (5-pole)
Rated current	4 A
Temperature range	-30...+80 °C
Protection degree	IP 67
Contact surface	Au (Gold)
Housing main material	CuZn, nickel-plated
connection thread	M12
Tightening torque	M12: 0.8 - 1.2 Nm
Mounting thread	M12
Mounting torque range	0.8 ... 1 Nm
Note	

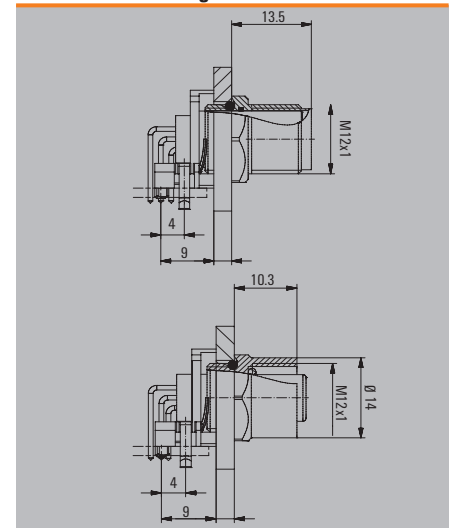
Rated voltage (acc. to VDE standard 0110 ISO Group C)	250 V (4-pole) / 60 V (5-pole)
Rated current	4 A
Temperature range	-30...+80 °C
Protection degree	IP 67
Contact surface	Au (Gold)
Housing main material	CuZn, nickel-plated
connection thread	M12
Tightening torque	M12: 0.8 - 1.2 Nm
Mounting thread	M12
Mounting torque range	0.8 ... 1 Nm
Note	

Rated voltage (acc. to VDE standard 0110 ISO Group C)	250 V (4-pole) / 60 V (5-pole)
Rated current	4 A
Temperature range	-30...+80 °C
Protection degree	IP 67
Contact surface	Au (Gold)
Housing main material	CuZn, nickel-plated
connection thread	M12
Tightening torque	M12: 0.8 - 1.2 Nm
Mounting thread	M12
Mounting torque range	0.8 ... 1 Nm
Note	

Dimensioned drawing



Dimensioned drawing



M8
DOM
SMT reflow

Unshielded

Shielded



Ordering data

Male, straight	
3-pole	
4-pole	
5-pole	
8-pole	
Female, straight	
3-pole	
4-pole	
5-pole	
8-pole	
Note	

Type	QTY	Order No.
SAID-M8S-3-SMT	25	2421750000
SAID-M8S-4-SMT	25	2421870000
SAID-M8S-5-SMT	25	2421990000
SAID-M8S-8-SMT	25	2422110000
SAID-M8B-3-SMT	25	2421720000
SAID-M8B-4-SMT	25	2421840000
SAID-M8B-5-SMT	25	2421960000
SAID-M8B-8-SMT	25	2422080000

Type	QTY	Order No.
SAID-M8S-3S-SMT	25	2421810000
SAID-M8S-4S-SMT	25	2421930000
SAID-M8S-5S-SMT	25	2422050000
SAID-M8S-8S-SMT	25	2422170000
SAID-M8B-3S-SMT	25	2421780000
SAID-M8B-4S-SMT	25	2421900000
SAID-M8B-5S-SMT	25	2422020000
SAID-M8B-8S-SMT	25	2422140000

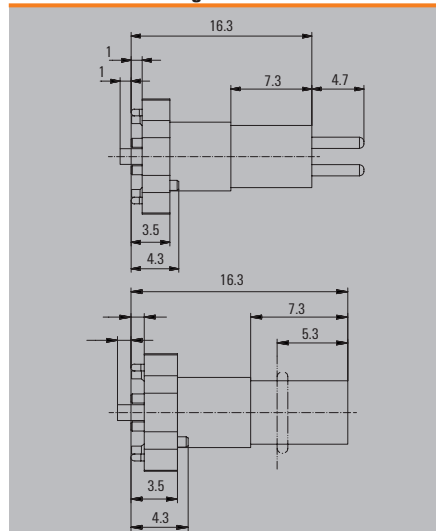
Technical data

Rated voltage (acc. to VDE standard 0110 ISO Group C)	60 V (3-pole) / 30 V (4-, 5- and 8-pole)
Rated current	3 A (3-, 4- and 5-pole) / 1.5 A (8-pole)
Temperature range	-25...+95 °C
Protection degree	IP 67
Contact surface	Au (Gold)
Housing main material	LCP
connection thread	M8
Tightening torque	M8: 0.5 - 0.6 Nm
Mounting thread	
Mounting torque range	
Note	

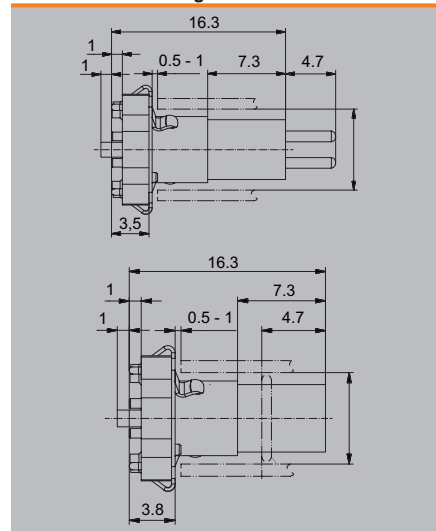
Rated voltage (acc. to VDE standard 0110 ISO Group C)	60 V (3-pole) / 30 V (4-, 5- and 8-pole)
Rated current	3 A (3-, 4- and 5-pole) / 1.5 A (8-pole)
Temperature range	-25...+95 °C
Protection degree	IP 67
Contact surface	Au (Gold)
Housing main material	LCP
connection thread	M8
Tightening torque	M8: 0.5 - 0.6 Nm
Mounting thread	
Mounting torque range	
Note	

Rated voltage (acc. to VDE standard 0110 ISO Group C)	60 V (3-pole) / 30 V (4-, 5- and 8-pole)
Rated current	3 A (3-, 4- and 5-pole) / 1.5 A (8-pole)
Temperature range	-25...+95 °C
Protection degree	IP 67
Contact surface	Au (Gold)
Housing main material	LCP
connection thread	M8
Tightening torque	M8: 0.5 - 0.6 Nm
Mounting thread	
Mounting torque range	
Note	

Dimensioned drawing



Dimensioned drawing



Technical data

Machinery

Process

Energy

Transportation

Device Manufacturers

M12
DOM
SMT reflow

Unshielded

Shielded



Ordering data

Male. straight	
4-pole	SAID-M12S-4-9SMT
5-pole	SAID-M12S-5-9SMT
8-pole	SAID-M12S-8-9SMT
Female. straight	
4-pole	SAID-M12B-4-9SMT
5-pole	SAID-M12B-5-9SMT
8-pole	SAID-M12B-8-9SMT
Note	

Type	QTY	Order No.
SAID-M12S-4-9SMT	25	2422540000
SAID-M12S-5-9SMT	25	2422600000
SAID-M12S-8-9SMT	25	2422420000
SAID-M12B-4-9SMT	25	2422060000
SAID-M12B-5-9SMT	25	2422120000
SAID-M12B-8-9SMT	25	2422480000

Type	QTY	Order No.
SAID-M12S-4S-9SMT	25	2423500000
SAID-M12S-5S-9SMT	25	2423560000
SAID-M12S-8S-9SMT	25	2423620000
SAID-M12B-4S-9SMT	25	2422180000
SAID-M12B-5S-9SMT	25	2422240000
SAID-M12B-8S-9SMT	25	2423380000

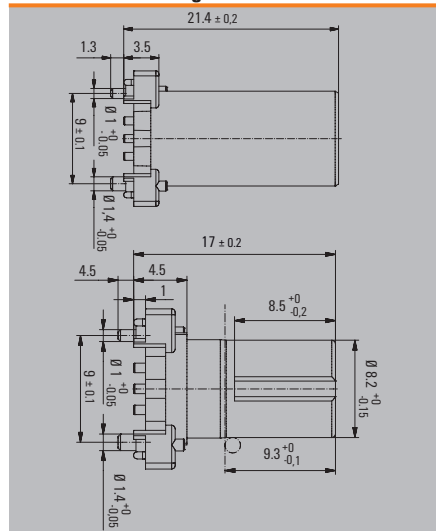
Technical data

Rated voltage (acc. to VDE standard 0110 ISO Group C)	250 V (4-pole) / 60 V (5-pole) / 30 V (8-pole)
Rated current	4 A (4- and 5-pole) / 2 A (8-pole)
Temperature range	-25...+95 °C
Protection degree	IP 67
Contact surface	Au (Gold)
Housing main material	LCP
connection thread	M12
Tightening torque	M12: 0.8 - 1.2 Nm
Mounting thread	
Mounting torque range	
Note	

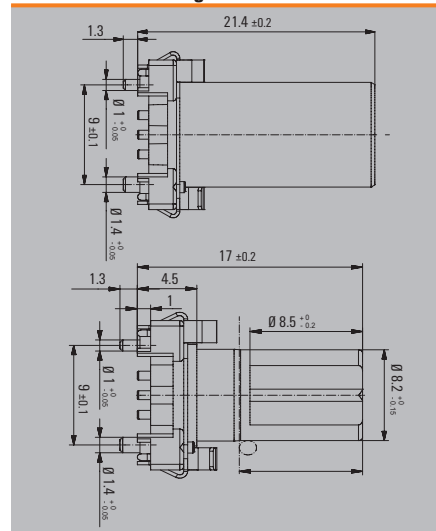
Rated voltage (acc. to VDE standard 0110 ISO Group C)	250 V (4-pole) / 60 V (5-pole) / 30 V (8-pole)
Rated current	4 A (4- and 5-pole) / 2 A (8-pole)
Temperature range	-25...+95 °C
Protection degree	IP 67
Contact surface	Au (Gold)
Housing main material	LCP
connection thread	M12
Tightening torque	M12: 0.8 - 1.2 Nm
Mounting thread	
Mounting torque range	
Note	

Rated voltage (acc. to VDE standard 0110 ISO Group C)	250 V (4-pole) / 60 V (5-pole) / 30 V (8-pole)
Rated current	4 A (4- and 5-pole) / 2 A (8-pole)
Temperature range	-25...+95 °C
Protection degree	IP 67
Contact surface	Au (Gold)
Housing main material	LCP
connection thread	M12
Tightening torque	M12: 0.8 - 1.2 Nm
Mounting thread	
Mounting torque range	
Note	

Dimensioned drawing



Dimensioned drawing



Technical data

Machinery

Process

Energy

Transportation

Device Manufacturers

M12
DOM
SMT reflow
B-coded
D-coded

Shielded



Ordering data

Male. straight	
	B-coded, 4-pole
	B-coded, 5-pole
Female. straight	
	B-coded, 4-pole
	D-coded, 4-pole
	B-coded, 5-pole
Note	

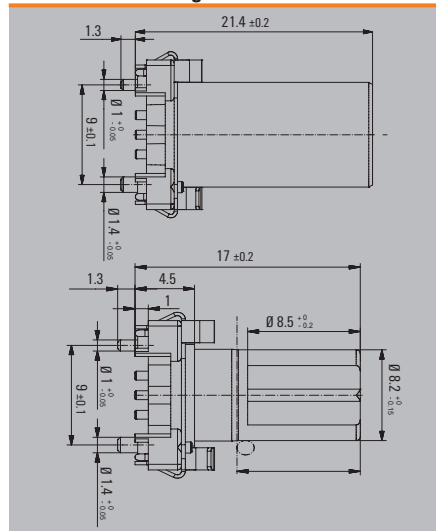
Type	QTY	Order No.
SAID-M12SB-4-9SMT	25	2422720000
SAID-M12SB-5-9SMT	25	2422780000
SAID-M12BB-4-9SMT	25	2422840000
SAID-M12BD-4-9SMT	25	2422960000
SAID-M12BB-5-9SMT	25	2422900000

Technical data

Rated voltage (acc. to VDE standard 0110 ISO Group C)	250 V (4-pole) / 60 V (5-pole)
Rated current	4 A
Temperature range	-25...+95 °C
Protection degree	IP 67
Contact surface	Au (Gold)
Housing main material	LCP
connection thread	M12
Tightening torque	M12: 0.8 - 1.2 Nm
Mounting thread	
Mounting torque range	
Note	

Rated voltage (acc. to VDE standard 0110 ISO Group C)	250 V (4-pole) / 60 V (5-pole)
Rated current	4 A
Temperature range	-25...+95 °C
Protection degree	IP 67
Contact surface	Au (Gold)
Housing main material	LCP
connection thread	M12
Tightening torque	M12: 0.8 - 1.2 Nm
Mounting thread	
Mounting torque range	
Note	

Dimensioned drawing



**Device
Manufacturers**



Transportation



Energy



Process



Machinery

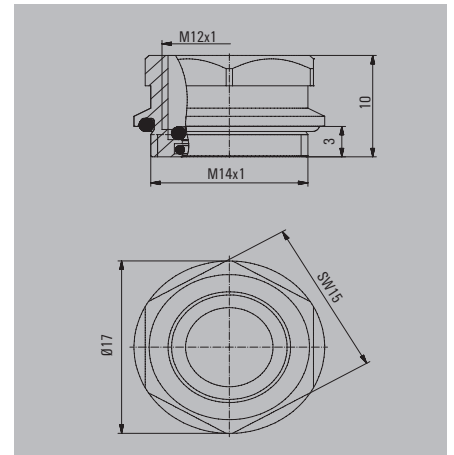
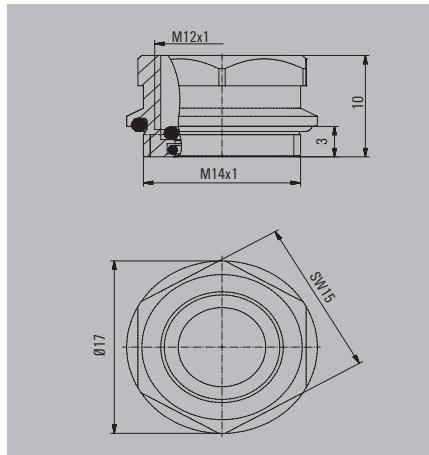


Technical data

M12
Flange-mounted housing
Hexagon nut

SAIFG-M14X1-B-1

SAIFG-M14X1-B-2



Technical data

Housing main material	CuZn	CuZn
Housing surface	nickel-plated	nickel-plated
Seal material	FKM	FKM

Note		
------	--	--

Ordering data

Type	QTY	Order No.	Type	QTY	Order No.
SAIFG-M14X1-B-1	25	2423920000	SAIFG-M14X1-B-2	25	2423950000

Note		
------	--	--

Technical data

Machinery

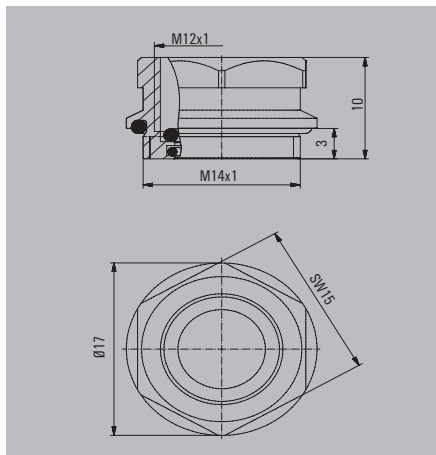
Process

Energy

Transportation

Device
Manufacturers

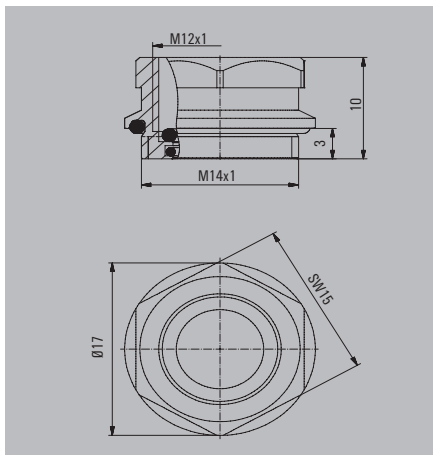
SAIFG-M14X1-S-1



CuZn
nickel-plated
FKM

Type	QTY	Order No.
SAIFG-M14X1-S-1	25	2423980000

SAISKM-M14X1



CuZn
nickel-plated

Type	QTY	Order No.
SAISKM-M14X1	25	2424010000



Hood version S-coded

SAI-4-M-MVV-M12 1:1

Technical data

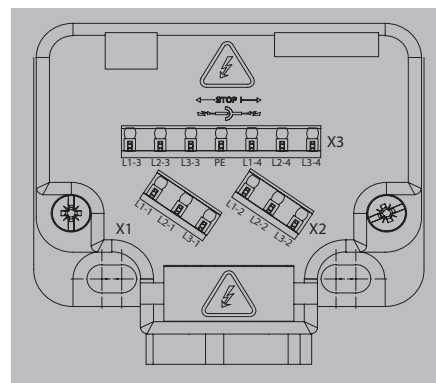
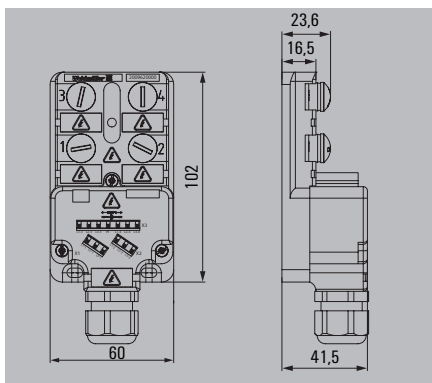
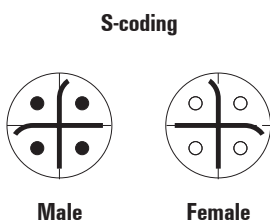
Machinery

Process

Energy

Transportation

Device Manufacturers



Ordering data

Complete modules	4-channel
Note	

SAI-4-M-MVV-M12 1:1

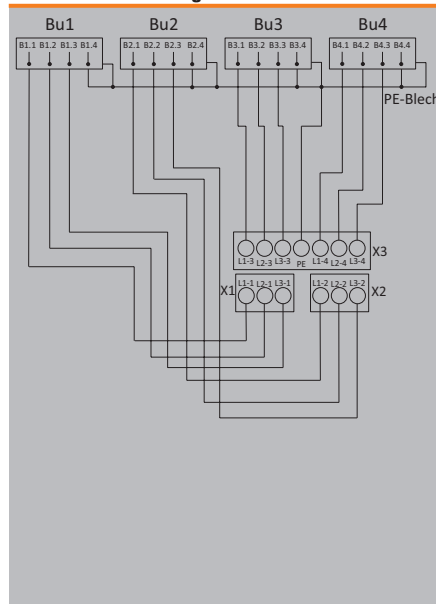
4-pole

Type	QTY	Order No.
SAI-4-M-MVV-M12 1:1	1	2009620000

Technical data

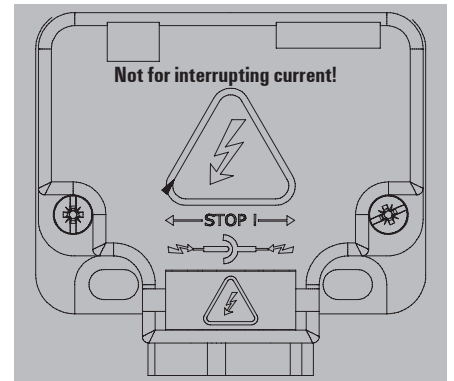
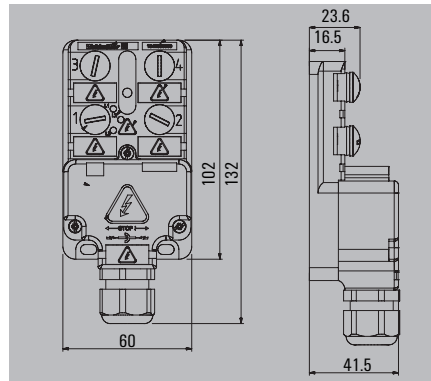
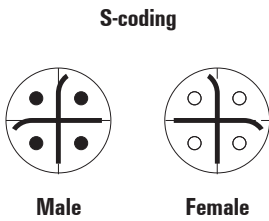
Operating voltage AC	400 V
Current per signal	12 A
Max. current-carrying capacity per slot	36 A
Total current	144 A
Pollution severity	3
Protection degree	IP 68
Ambient temperature range	-20...80 °C
Housing main material	Pocan
Contact carrier material	PBT (UL 94 V0)
Base material of contacts	CuZn
Screw socket	CuZn, nickel-plated
Housing colour	grey, RAL 7032
Flammability class UL 94	V-0
Clamping range of hood-version	0.2...1.5 mm ²
Conductor O.D.	10 - 14mm

Dimensioned drawing



Hood version S-coded

SAI-4-M-MVV-M12 S-COD



Ordering data

Complete modules	4-channel
Note	

SAI-4-M-MVV-M12 S-COD

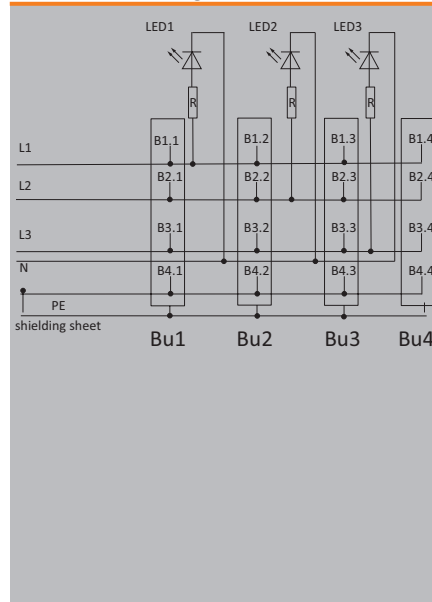
4-pole

Type	QTY	Order No.
SAI-4-M-MVV-M12 S-COD	1	1542580000

Technical data

Operating voltage AC	400 V
Current of continuous busbars	10 A
Max. current-carrying capacity per slot	27.6 A
Total current	27.6 A
Pollution severity	3
Protection degree	IP 68
Ambient temperature range	-20...80 °C
Housing main material	Pocan
Contact carrier material	PBT (UL 94 V0)
Base material of contacts	CuZn
Screw socket	CuZn, nickel-plated
Housing colour	grey, RAL 7032
Flammability class UL 94	V-0
Clamping range of hood-version	0.2...6 mm ²
Conductor O.D.	6 - 12mm

Dimensioned drawing



M12 screw connection
S-coded

SAIS / SAIB

SAISW / SAIBW

Technical data

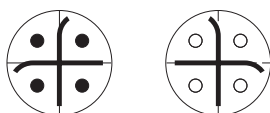
Machinery

Process

Energy

Transportation

Device
Manufacturers



Male

Female



Ordering data

Male	3-pole + PE
Female	3-pole + PE
Note	

Type	QTY	Order No.
SAIS-3+PE/11-S-COD	1	1391990000
SAIB-3+PE/11-S-COD	1	1392000000

Type	QTY	Order No.
SAISW-3+PE/11-S-COD	1	1467860000
SAIBW-3+PE/11-S-COD	1	1467870000

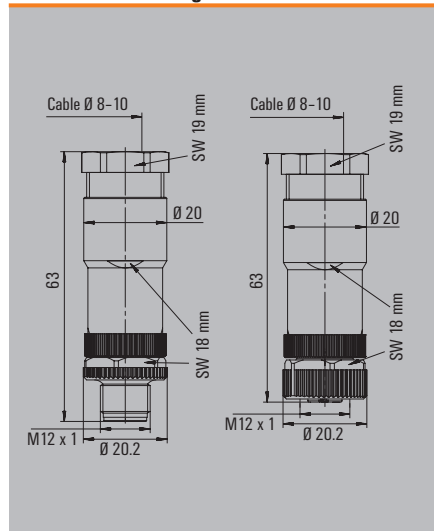
Technical data

Type of connection	Screw connection
Housing main material	PA
Contact tube diameter	M12
Cable diameter	8...10 mm (PG11)
Wire cross-section, min. / max.	0.14...1.5 mm ²
Rated current	12 A
Rated voltage	630 V
Temperature range of housing	-40 ... +85 °C
Protection degree	IP 67
Contact surface	Gold-plated
Contact material	CuZn
Plugging cycles	≥ 100
Pollution severity	3
Note	

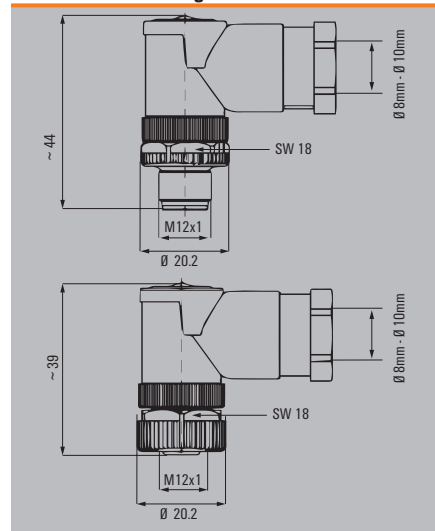
Type of connection	Screw connection
Housing main material	PA
Contact tube diameter	M12
Cable diameter	8...10 mm (PG11)
Wire cross-section, min. / max.	0.14...1.5 mm ²
Rated current	12 A
Rated voltage	630 V
Temperature range of housing	-40 ... +85 °C
Protection degree	IP 67
Contact surface	Gold-plated
Contact material	CuZn
Plugging cycles	≥ 100
Pollution severity	3
Note	

Type of connection	Screw connection
Housing main material	PA
Contact tube diameter	M12
Cable diameter	8...10 mm (PG11)
Wire cross-section, min. / max.	0.14...1.5 mm ²
Rated current	12 A
Rated voltage	630 V
Temperature range of housing	-40 ... +85 °C
Protection degree	IP 67
Contact surface	Gold-plated
Contact material	CuZn
Plugging cycles	≥ 100
Pollution severity	3
Note	

Dimensioned drawing



Dimensioned drawing





Device
Manufacturers



Transportation



Energy



Process



Machinery

Technical data

WM4 C photovoltaik connector with crimp connection – Typ 4


Technical data

	WM4 C field connector	BOX WM4 C housing connector
Continuous operating temperature	-40 °C to +85 °C	-40 °C to +85 °C
Protection class (plugged/open)	IP 65 & IP 67 / IP 2x	IP 65 & IP 67 / IP 2x
Rated current	35 A	35 A
Rated voltage	1,000 V DC (IEC)	1,100 V DC (IEC)
Cable diameter	4 mm ² / 6 mm ²	4 mm ² / 6 mm ²
Cable exterior diameter	5.5 ...7.0 mm	5.5 ...7.0 mm
Cable as per standard	2PG1169/08.07	2PG1169/08.07
Thread	M16	M12
Pollution degree	II	II
Approvals	TÜV (DIN EN 50521)	TÜV (DIN EN 50521)


Ordering data


WM4 C field connector

	Type	Qty.	Order No.
	BUGH WM4 C BT Female housing	100 (in bag)	1530690000



	Type	Qty.	Order No.
	SFGH WM4 C BT Male housing	100 (in bag)	1530700000



BOX WM4 C housing connector

	Type	Qty.	Order No.
	BUGH BOX WM4 C BT Female housing	100 (in bag)	1530630000






	Type	Qty.	Order No.
	SFGH BOX WM4 C BT Male housing	100 (in bag)	1530640000



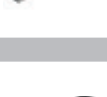


Crimp contacts

	Type	Qty.	Order No.
	BUKO WM4 C BT Female contact	100 (in bag)	1530670000
	BUKO WM4 C RL Female contact	1,500 (on roll)	1530770000

	Type	Qty.	Order No.
	SFKO WM4 C BT Male contact	100 (in bag)	1530680000
	SFKO WM4 C RL Male contact	1,500 (on roll)	1530780000

Accessories and related products

	Type	Qty.	Order No.
	VSSO WM4 Universal dust cap for male and female housings	100	1254870000
	PVC-TV1-BK-4-1000 4 mm ²	1 km	1203780000
	PVC-TV1-BK-4-1000 6 mm ²	1 km	1524740000
	multi-stripax® PV Wire stripping pliers for PV wires from 2.5 mm ² to 6 mm ²	1	1190490000
	KT 8 Cutting tool	1	9002650000

	Type	Qty.	Order No.
	CTF PV WM4 Crimping tool	1	1222870000
	SCREWTY SW15 optional mounting tool for WM4 C	1	1290830000
	SCREWTY SW17 optional mounting tool for BOX WM4 C	1	1254660000
	DMS MANUELL 0,5-1,7 Nm	1	9918370000
	DMS MANUELL 2,0-8,0 Nm	1	9918380000

Cable harnessing

Individual types and cable length on request

**Device
Manufacturers**



Transportation



Energy



Process



Machinery

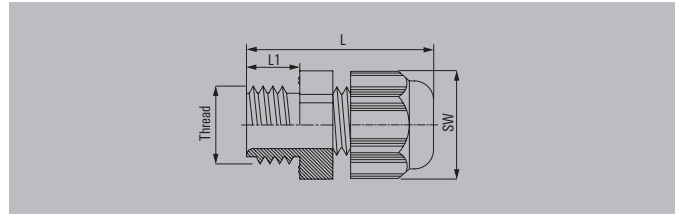


Technical data

Cable glands – plastic – Ex e, Ex i IP66 / IP68, 7J, -40°C - +70°C



Plastic gland for Ex applications with integrated strain relief, especially for Ex e and Ex i applications with chloroprene seal and 7 Joule impact resistance. Complete with integral membrane seal for clean transportation and storage.



Technical data

Material	Polyamide 6
Temperature range	-40 °C...70 °C
Seal insert	CR
Protection degree	IP 54, IP 66, IP 67, IP 68 - 5 bar (30 min.)
Impact resistance	7 joules in acc. with IEC60079-0

Note

Ordering data

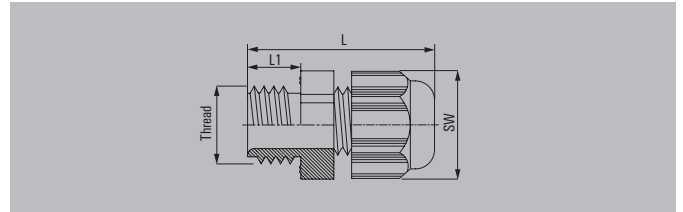
Type	Thread	Colour	KB	L/L1	SW	Qty.	Order No.
Ex e							
VG M12 EXE 4-6.5 CR 7J	M 12/1.5	black (similar to RAL 9005)	4.00-6.50 mm	22/10 mm	15 mm	50	2017200000
VG M16 EXE 5-8 CR 7J	M 16/1.5	black (similar to RAL 9005)	5.00-8.00 mm	26/10 mm	19 mm	50	2017210000
VG M16 EXE 6-10 CR 7J	M 16/1.5	black (similar to RAL 9005)	6.00-10.00 mm	29.5/10 mm	22 mm	50	2017220000
VG M20 EXE 7-12 CR 7J	M 20/1.5	black (similar to RAL 9005)	7.00-12.00 mm	30/10 mm	24 mm	50	2017230000
VG M20 EXE 7-13 CR 7J	M 20/1.5	black (similar to RAL 9005)	7.00-13.00 mm	33/10 mm	25 mm	50	2017240000
VG M20 EXE 11-14 CR 7J	M 20/1.5	black (similar to RAL 9005)	11.00-14.00 mm	30/10 mm	27 mm	50	2017250000
VG M25 EXE 12-17 CR 7J	M 25/1.5	black (similar to RAL 9005)	12.00-17.00 mm	34/10 mm	29 mm	50	2017260000
VG M25 EXE 14-18 CR 7J	M 25/1.5	black (similar to RAL 9005)	14.00-18.00 mm	35/10 mm	33 mm	50	2017280000
VG M32 EXE 16-21 CR 7J	M 32/1.5	black (similar to RAL 9005)	16.00-21.00 mm	42/10 mm	36 mm	50	2017290000
VG M32 EXE 19-25 CR 7J	M 32/1.5	black (similar to RAL 9005)	19.00-25.00 mm	40.5/15 mm	42 mm	50	2017300000
VG M40 EXE 20-28 CR 7J	M 40/1.5	black (similar to RAL 9005)	20.00-28.00 mm	46/10 mm	46 mm	50	2017310000
VG M40 EXE 23-32 CR 7J	M 40/1.5	black (similar to RAL 9005)	23.00-32.00 mm	50/18 mm	53 mm	50	2017320000
VG M50 EXE 31-38 CR 7J	M 50/1.5	black (similar to RAL 9005)	31.00-38.00 mm	54/18 mm	60 mm	50	2017340000
VG M63 EXE 35-44 CR 7J	M 63/1.5	black (similar to RAL 9005)	35.00-44.00 mm	54/18 mm	65 mm	50	2017350000
Ex i							
VG M12 EXI 4-6.5 CR 7J	M 12/1.5	black (similar to RAL 9005), blue (RAL 5015)	4.00-6.50 mm	22/10 mm	15 mm	50	2017670000
VG M16 EXI 5-8 CR 7J	M 16/1.5	black (similar to RAL 9005), blue (RAL 5015)	5.00-8.00 mm	26/10 mm	19 mm	50	2017680000
VG M16 EXI 6-10 CR 7J	M 16/1.5	black (similar to RAL 9005), blue (RAL 5015)	6.00-10.00 mm	29.5/10 mm	22 mm	50	2017690000
VG M20 EXI 7-12 CR 7J	M 20/1.5	black (similar to RAL 9005), blue (RAL 5015)	7.00-12.00 mm	30/10 mm	24 mm	50	2017700000
VG M20 EXI 7-13 CR 7J	M 20/1.5	black (similar to RAL 9005), blue (RAL 5015)	7.00-13.00 mm	33/10 mm	25 mm	50	2017710000
VG M20 EXI 11-14 CR 7J	M 20/1.5	black (similar to RAL 9005), blue (RAL 5015)	11.00-14.00 mm	30/10 mm	27 mm	50	2017720000
VG M25 EXI 12-17 CR 7J	M 25/1.5	black (similar to RAL 9005), blue (RAL 5015)	12.00-17.00 mm	34/10 mm	29 mm	50	2017730000
VG M25 EXI 14-18 CR 7J	M 25/1.5	black (similar to RAL 9005), blue (RAL 5015)	14.00-18.00 mm	35/10 mm	33 mm	50	2017740000
VG M32 EXI 16-21 CR 7J	M 32/1.5	black (similar to RAL 9005), blue (RAL 5015)	16.00-21.00 mm	42/10 mm	36 mm	50	2017750000
VG M32 EXI 19-25 CR 7J	M 32/1.5	black (similar to RAL 9005), blue (RAL 5015)	19.00-25.00 mm	40.5/15 mm	42 mm	50	2017760000
VG M40 EXI 20-28 CR 7J	M 40/1.5	black (similar to RAL 9005), blue (RAL 5015)	20.00-28.00 mm	46/10 mm	46 mm	50	2017770000
VG M40 EXI 23-32 CR 7J	M 40/1.5	black (similar to RAL 9005), blue (RAL 5015)	23.00-32.00 mm	50/18 mm	53 mm	50	2017780000
VG M50 EXI 31-38 CR 7J	M 50/1.5	black (similar to RAL 9005), blue (RAL 5015)	31.00-38.00 mm	54/18 mm	60 mm	50	2017790000
VG M63 EXI 35-44 CR 7J	M 63/1.5	black (similar to RAL 9005), blue (RAL 5015)	35.00-44.00 mm	54/18 mm	65 mm	50	2017800000

Note Please find installation and torque specifications in the assembly instructions.

Cable glands – plastic – Ex e, Ex i IP66 / IP68, 7J, -60°C - +70°C



Plastic gland for Ex applications with integrated strain relief, especially for Ex e and Ex i applications with silicone seal and 7 Joule impact resistance. Complete with integral membrane seal for clean transportation and storage.



Technical data

Material	Polyamide 6
Temperature range	-60 °C...70 °C
Seal insert	Silicone
Protection degree	IP 54, IP 66, IP 67, IP 68 - 5 bar (30 min.)
Impact resistance	7 joules in acc. with IEC60079-0

Note

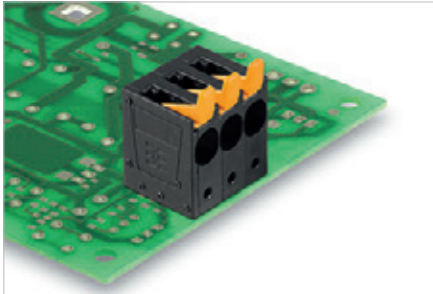
Ordering data

Type	Thread	Colour	KB	L/L1	SW	Qty.	Order No.
Ex e							
VG M12 EXE 4-6.5 SI 7J	M 12/1.5	black (similar to RAL 9005)	4.00-6.50 mm	22/10 mm	15 mm	50	2017370000
VG M16 EXE 5-8 SI 7J	M 16/1.5	black (similar to RAL 9005)	5.00-8.00 mm	26/10 mm	19 mm	50	2017380000
VG M16 EXE 6-10 SI 7J	M 16/1.5	black (similar to RAL 9005)	6.00-10.00 mm	29.5/10 mm	22 mm	50	2017390000
VG M20 EXE 7-12 SI 7J	M 20/1.5	black (similar to RAL 9005)	7.00-12.00 mm	30/10 mm	24 mm	50	2017430000
VG M20 EXE 7-13 SI 7J	M 20/1.5	black (similar to RAL 9005)	7.00-13.00 mm	33/10 mm	25 mm	50	2017500000
VG M20 EXE 11-14 SI 7J	M 20/1.5	black (similar to RAL 9005)	11.00-14.00 mm	30/10 mm	27 mm	50	2017510000
VG M25 EXE 12-17 SI 7J	M 25/1.5	black (similar to RAL 9005)	12.00-17.00 mm	34/10 mm	29 mm	50	2017520000
VG M25 EXE 14-18 SI 7J	M 25/1.5	black (similar to RAL 9005)	14.00-18.00 mm	35/10 mm	33 mm	50	2017550000
VG M32 EXE 16-21 SI 7J	M 32/1.5	black (similar to RAL 9005)	16.00-21.00 mm	42/10 mm	36 mm	50	2017560000
VG M32 EXE 19-25 SI 7J	M 32/1.5	black (similar to RAL 9005)	19.00-25.00 mm	40.5/15 mm	42 mm	50	2017590000
VG M40 EXE 20-28 SI 7J	M 40/1.5	black (similar to RAL 9005)	20.00-28.00 mm	46/10 mm	46 mm	50	2017610000
VG M40 EXE 23-32 SI 7J	M 40/1.5	black (similar to RAL 9005)	23.00-32.00 mm	50/18 mm	53 mm	50	2017630000
VG M50 EXE 31-38 SI 7J	M 50/1.5	black (similar to RAL 9005)	31.00-38.00 mm	54/18 mm	60 mm	50	2017650000
VG M63 EXE 35-44 SI 7J	M 63/1.5	black (similar to RAL 9005)	35.00-44.00 mm	54/18 mm	65 mm	50	2017660000
Ex i							
VG M12 EXI 4-6.5 SI 7J	M 12/1.5	black (similar to RAL 9005), blue (RAL 5015)	4.00-6.50 mm	22/10 mm	15 mm	50	2017810000
VG M16 EXI 5-8 SI 7J	M 16/1.5	black (similar to RAL 9005), blue (RAL 5015)	5.00-8.00 mm	26/10 mm	19 mm	50	2017820000
VG M16 EXI 6-10 SI 7J	M 16/1.5	black (similar to RAL 9005), blue (RAL 5015)	6.00-10.00 mm	29.5/10 mm	22 mm	50	2017830000
VG M20 EXI 7-12 SI 7J	M 20/1.5	black (similar to RAL 9005), blue (RAL 5015)	7.00-12.00 mm	30/10 mm	24 mm	50	2017840000
VG M20 EXI 7-13 SI 7J	M 20/1.5	black (similar to RAL 9005), blue (RAL 5015)	7.00-13.00 mm	33/10 mm	25 mm	50	2017850000
VG M20 EXI 11-14 SI 7J	M 20/1.5	black (similar to RAL 9005), blue (RAL 5015)	11.00-14.00 mm	30/10 mm	27 mm	50	2017870000
VG M25 EXI 12-17 SI 7J	M 25/1.5	black (similar to RAL 9005), blue (RAL 5015)	12.00-17.00 mm	34/10 mm	29 mm	50	2017880000
VG M25 EXI 14-18 SI 7J	M 25/1.5	black (similar to RAL 9005), blue (RAL 5015)	14.00-18.00 mm	35/10 mm	33 mm	50	2017890000
VG M32 EXI 16-21 SI 7J	M 32/1.5	black (similar to RAL 9005), blue (RAL 5015)	16.00-21.00 mm	42/10 mm	36 mm	50	2017900000
VG M32 EXI 19-25 SI 7J	M 32/1.5	black (similar to RAL 9005), blue (RAL 5015)	19.00-25.00 mm	40.5/15 mm	42 mm	50	2017910000
VG M40 EXI 20-28 SI 7J	M 40/1.5	black (similar to RAL 9005), blue (RAL 5015)	20.00-28.00 mm	46/10 mm	46 mm	50	2017920000
VG M40 EXI 23-32 SI 7J	M 40/1.5	black (similar to RAL 9005), blue (RAL 5015)	23.00-32.00 mm	50/18 mm	53 mm	50	2017930000
VG M50 EXI 31-38 SI 7J	M 50/1.5	black (similar to RAL 9005), blue (RAL 5015)	31.00-38.00 mm	54/18 mm	60 mm	50	2017940000
VG M63 EXI 35-44 SI 7J	M 63/1.5	black (similar to RAL 9005), blue (RAL 5015)	35.00-44.00 mm	54/18 mm	65 mm	50	2017950000

Note

Please find installation and torque specifications in the assembly instructions.

LUF/90



High-performance PCB terminal with a PUSH IN connection system for conductor cross-sections up to 16 mm².

- Fast connection without tools thanks to an operating lever to open the contact point, or direct plug-in method
- Securely closed contact point, with the „Connection Safety Concept“ the conductor is always clamped securely
- Integrated test point for PS 2.0 test plug
- Central tip test point for test probes on the upper side of the terminal
- Increased derating reserves because WEMID insulating material is used.
- Conductor outlet direction of 90°

preliminary Technical data

In compliance with IEC 60664-1 / IEC 61984			
Clamping range, max.	mm ²	0.5...16	
Solid core H05(07) V-U	mm²	0.5...16	
Stranded H07 V-R		...16	
Flexible H05(07) V-K	mm ²	0.5...16	
Flexible with ferrule	mm ²	0.5...16	
Ferrule with plastic collar	mm ²	0.5...16	
Stripping length	mm	18	
Screwdriver blade	mm	0.8 x 4.0	
According to norm			
Tightening torque range			
Rated current, max.	A	76	76
At ambient temperature		20°C	40°C
For conductor cross-section			
Overtoltage category		III	III II
Pollution severity		3	2 2
Rated voltage	V	630	690 1000
Rated impulse voltage	kV	6	6 6
UL / CUL (Use Group)		B	C D
Rated voltage			
Rated current			
AWG conductor	AWG		-
CSA (Use Group)		B	C D
Rated voltage			
Rated current			
AWG conductor	AWG		-
General data			
Type of insulation material		Wemid (PA)	
UL 94 flammability rating		V-0	
Contact base material		E-Cu	
Material of contact surface			
Pin dimensions = d	mm	1.2, Octagonal	
Solder eyelet Ø = D	mm	1.6	
Solder eyelet Ø tolerance	mm	+ 0,1	

Product data

IEC: 1000 V / 76 A / 0.5 - 16 mm²
UL:



For additional articles and information, refer to catalog.weidmueller.com

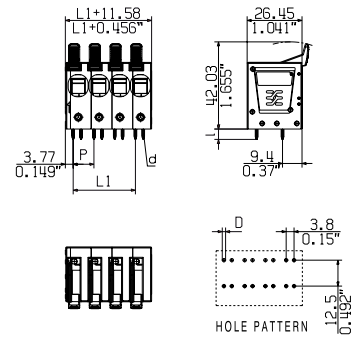
Note:

- Additional colours on request
- Rated current related to rated cross-section & min. No. of poles.
- Wire end ferrule without plastic collar to DIN 46228/1
- Wire end ferrule with plastic collar to DIN 46228/4
- P on drawing = pitch
- Rated data refer only to the component itself. Clearance and creepage distances to other components are to be designed in accordance with the relevant application standards.

LUF 10.00/./90



Dimensioned drawing



Accessories

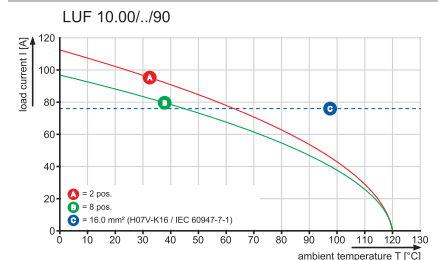
Note: Refer to the Accessories chapter for additional accessories.

Screwdriver		Order No.
	SDS 0.8X4.0X100	9008340000
	SDIS 0.8X4.0X100	9008400000
Test plug		
	PS 2.0 MC	0310000000

Ordering data

Solder pin length				5 mm
Colour				Black
Pitch	10.00 mm			
Pol.	L1	(inch)	Qty.	Order No.
1	0.00	0.000	50	1988590000
2	10.00	0.394	40	1988600000
3	20.00	0.787	40	1988610000
4	30.00	1.181	30	1988620000
5	40.00	1.575	25	1988630000
6	50.00	1.969	20	1988640000
7	60.00	2.362	10	1988650000
8	70.00	2.756	10	1988660000

Representative deratings curve





**Device
Manufacturers**



Transportation



Energy



Process



Machinery

Technical data

Technical data

Machinery

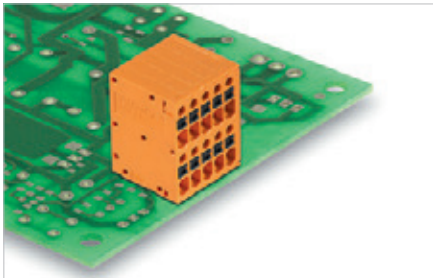
Process

Energy

Transportation

Device Manufacturers

LS2HF/90



Double-level PCB terminal for the wave soldering process, with PUSH IN wire connection system. Conductor insertion and slider operation from the same direction (TOP).

- Solid and flexible conductors with wire-end ferrules can just be inserted - done
- When connecting flexible wires without wire-end ferrules, the actuating element is used to open the clamping point
- Intuitive handling thanks to the clear distinction between wire entry and actuating element
- Packed in a box
- Conductor outlet direction 90°

preliminary Technical data

In compliance with IEC 60664-1 / IEC 61984			
Clamping range, max.	mm ²	0.2...1.5	
Solid core H05(07) V-U	mm ²	0.2...1.5	
Stranded H07 V-R			
Flexible H05(07) V-K	mm ²	0.2...1.5	
Flexible with ferrule	mm ²	0.2...1.5	
Ferrule with plastic collar	mm ²	0.2...0.75	
Stripping length	mm	8	
Screwdriver blade	mm	0.4 x 2.5	
According to norm			
Tightening torque range			
Rated current, max.	A	17.5	17.5
At ambient temperature		20°C	40°C
For conductor cross-section			
Overtoltage category		III	III II
Pollution severity		3	2 2
Rated voltage	V	160	200 400
Rated impulse voltage	kV	2.5	2.5 2.5
UL / CUL (Use Group)			
		B	C D
Rated voltage			
Rated current			
AWG conductor	AWG	-	
CSA (Use Group)			
		B	C D
Rated voltage			
Rated current			
AWG conductor	AWG	-	
General data			
Type of insulation material		PA 66/6	
UL 94 flammability rating		V-0	
Contact base material		Cu-Leg	
Material of contact surface			
Pin dimensions = d	mm	1.0 x 0.6	
Solder eyelet Ø = D	mm	1.3	
Solder eyelet Ø tolerance	mm	+ 0,1	

Product data

IEC: 400 V / 17.5 A / 0.2 - 1.5 mm²
UL:



For additional articles and information, refer to catalog.weidmueller.com

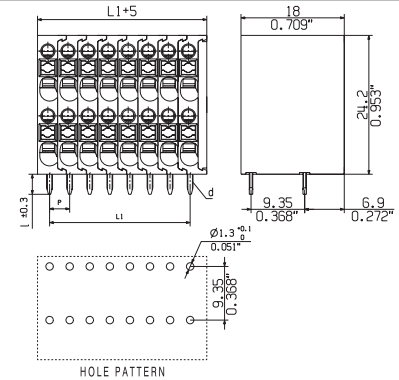
Note:

- Additional colours on request
- Rated current related to rated cross-section & min. No. of poles.
- Wire end ferrule without plastic collar to DIN 46228/1
- Wire end ferrule with plastic collar to DIN 46228/4
- P on drawing = pitch
- Rated data refer only to the component itself. Clearance and creepage distances to other components are to be designed in accordance with the relevant application standards.
- Crimping shape „A“ for wire end ferrules with PZ 6/5 crimping tool are recommended for the largest cable sizes.

LS2HF 3.50/./90



Dimensioned drawing



Ordering data

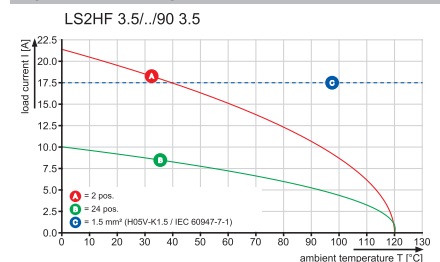
Solder pin length		3.5 mm		
Colour		Orange		
Pitch		3.50 mm		
Pol.	L1	(inch)	Qty.	Order No.
4	7.00	0.276	100	2000940000
6	10.50	0.414	100	2000950000
8	14.00	0.552	100	2000960000
10	17.50	0.690	100	2000970000
12	21.00	0.828	50	2000980000
14	24.50	0.966	50	2000990000
16	28.00	1.104	50	2001000000
18	31.50	1.242	50	2001010000
20	35.00	1.380	50	2001020000
22	38.50	1.518	20	2001030000
24	42.00	1.656	20	2001040000

Accessories

Note: Refer to the Accessories chapter for additional accessories.

Screwdriver		Order No.
	SDIS 0.4X2.5X75	9008370000
	SDS 0.4X2.5X75	9009030000

Representative deratings curve





**Device
Manufacturers**



Transportation



Energy



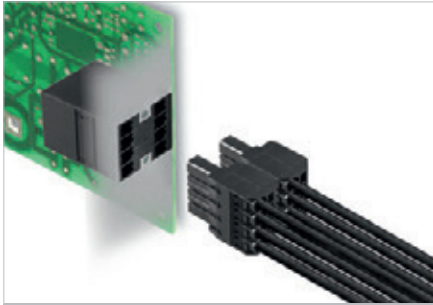
Process



Machinery

Technical data

SVD 7.62HP/270



Double-row high-current, high-performance pin headers, with or without flange, for fast, tool-free locking. Optimised for "book-size modules" measuring 50 mm wide and above. With integrated mounting option for mounting to the housing wall. Exceptional reliability and operational safety thanks to 100% failsafe mating profile, unique coding and optional additional screw mounting in the flange.

Product data

IEC: 1000 V / 47 A
UL: 300 V / 25 A



For additional articles and information, refer to catalog.weidmueller.com

Note:

- Additional colours on request
- Rated current related to rated cross-section & min. No. of poles.
- P on drawing = pitch
- Rated data refer only to the component itself. Clearance and creepage distances to other components are to be designed in accordance with the relevant application standards.

preliminary Technical data

In compliance with IEC 60664-1 / IEC 61984

Clamping range, max.			
Solid core H05(07) V-U			
Stranded H07 V-R			
Flexible H05(07) V-K			
Flexible with ferrule			
Ferrule with plastic collar			
Stripping length			
Screwdriver blade	mm		
According to norm			
Tightening torque range			
Rated current, max.	A	47	42
At ambient temperature		20°C	40°C
For conductor cross-section			
Overtoltage category		III	III
Pollution severity		3	2
Rated voltage	V	630	630
Rated impulse voltage	kV	6	6
UL / CUL (Use Group)	B	C	D
Rated voltage	V	300	300
Rated current	A	25	25
AWG conductor	AWG	-	-
CSA (Use Group)	B	C	D
Rated voltage	V		
Rated current	A		
AWG conductor	AWG		
General data			
Type of insulation material		PA GF	
UL 94 flammability rating		V-0	
Contact base material		Cu-Leg	
Material of contact surface		tinned	
Pin dimensions = d	mm	0.8 x 1.0	
Solder eyelet Ø = D	mm	1.4	
Solder eyelet Ø tolerance	mm	+ 0,1	

Accessories

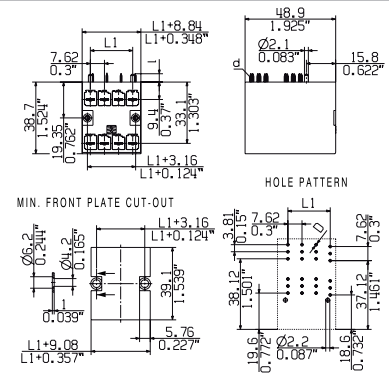
Note: Refer to the Accessories chapter for additional accessories.

Coding	Order No.
BV/SV 7.62HP K0	1937590000

SV 7.62HP/./270G



Dimensioned drawing



Ordering data

Solder pin length	3.2 mm		
Colour	Black		
Pitch	7.62 mm		
Pol.	L1	(inch)	Qty.
4	7.62	0.300	20
6	15.24	0.600	20
8	22.86	0.900	20
10	30.48	1.200	20
12	38.10	1.500	20

Stripping tools with automatic self-adjustment

- For flexible and solid conductors
- Ideally suitable for mechanical and plant engineering, railway and rail traffic, wind energy, robot technology, explosion protection as well as marine, offshore and ship building sectors
- Stripping length adjustable via end stop
- Automatic opening of clamping jaws after stripping
- No fanning-out of individual conductors
- Adjustable to diverse insulation thicknesses
- Double-insulated cables in two process steps without special adjustment
- No play in self-adjusting cutting unit
- Long service life
- Optimised ergonomic design
- Selectable two-stage partial stripping



stripax® Ultimate

0.25...6 mm²



- Stripping and cutting of flexible and solid conductors from 0.25...6 mm² (~AWG 24... 10)
- Especially suitable for UL-specified conductors and halogen-free insulation materials



stripax® Ultimate XL

2.5 - 10 mm²



- Stripping and cutting of flexible and solid conductors from 2.5 to 10 mm² (~AWG 14 - 8)
- Especially suitable for UL-specified conductors and halogen-free insulation materials



Technical data

Max. stripping performance	
Cable type	
Wire cross-section, min. / max.	
Stripping length, max.	mm
Cutting performance	
Conductor cross-section (cutting capacity)	mm ²
Tool data	
Length	mm
Weight	g
Note	

Ordering data

Version
Note

Accessories

Type	Qty.	Order No.
ERME SPX UL	1	1471390000
Note		

STRIPAX ULTIMATE		
Flexible and solid conductors with halogen-free insulation		
Wire cross-section, min. / max.	0.25...6	
Stripping length, max.	25	
Conductor cross-section (cutting capacity)	6	
Length	190	
Weight	175	
Note		

Type	Qty.	Order No.
STRIPAX ULTIMATE	1	1468880000
Note		

Type	Qty.	Order No.
ERME SPX UL	1	1471390000
Note		

STRIPAX ULTIMATE XL		
Flexible and solid conductors with halogen-free insulation		
Wire cross-section, min. / max.	2.5...10	
Stripping length, max.	25	
Conductor cross-section (cutting capacity)	6	
Length	190	
Weight	175	
Note		

Type	Qty.	Order No.
STRIPAX ULTIMATE XL	1	1512780000
Note		

Type	Qty.	Order No.
ERME SPX UL XL	1	1512790000
Note		



Device
Manufacturers



Transportation



Energy



Process



Machinery

Technical data

Crimping tools for wire-end ferrules

- For wire-end ferrules with and without plastic collars, according to DIN 46228 Part 1 and Part 4
- Ratchet for precise crimping
- Release option in the event of incorrect operation
- Ergonomic handle design
- Minimal hand force required

PZ 10 HEX

0.14 ... 10 mm²



- ~AWG 26 ... 8
- Only one die for the whole cross-section range of 0.14 ... 10 mm²
- Side wire-end ferrule insertion with hexagon crimp shape



PZ 10 SQR

0.14 ... 10 mm²



- ~AWG 26 ... 8
- Only one die for the whole cross-section range of 0.14 ... 10 mm²
- Side wire-end ferrule insertion with square crimp shape



Technical data

Description of contact	
Type of contact	
Crimping range	mm ²
Tool data	
Length	mm
Weight	g
Note	

Wire-end ferrules with/without plastic collars		
0.14...10		
195		
600		

Wire-end ferrules with/without plastic collars		
0.14...10		
195		
600		

Ordering data

Version
Note

Type	Qty.	Order No.
PZ 10 HEX	1	1445070000
PZ 10 HEX ZERT	1	1989320000
Note		

Type	Qty.	Order No.
PZ 10 SQR	1	1445080000
PZ 10 SQR ZERT	1	1989310000
Note		

Operating aid for hand tools

- Simple hand tool mounting
- Can be used with all conventional hand tools
- Less manual force needed thanks to leverage
- Fast tool change
- Maintenance-free
- For medium-sized batches

EASYCRIMP



- Operating aid for mechanical crimping tools
- Reliable quality from Weidmüller
- Wire-end ferrules, cable lugs and connectors



Technical data

Drive
Fixing max.
Fixing min.
Grip width max.
Grip width min.
Grip height min.
Lever travel max.
Lever travel min.
Width / Depth / Height
Weight
Note

EASYCRIMP
mechanical
68 mm
35 mm
28 mm
22 mm
12 mm
230 mm
140 mm
125 / / 255 mm
5 kg
Note

Ordering data

Version
Note

Type	Qty.	Order No.
EASYCRIMP	1	2000360000
Note		



Automatic strippers

- Stripping of stranded wires according to DIN VDE 0295, Cl. 5
- Partial stripping; the insulation remains on the wire end
- No need to change tools
- Electric drive
- For small and medium-sized batches
- Precise adjustment possible through touch display
- Day and total unit counter ensures production monitoring

Automatic machines are designed to process wires acc. to DIN VDE 0295/5, DIN VDE 0281/102 and DIN VDE 0281/103.

Processing of other wire types on request.

Powerstripper 6.0

0.05 ... 6.0 mm²



- Quick and easy adjustment to the respective cross-section
- Stripping length: 3...20 mm
- Min. conductor length: 22 mm + stripping length
- Max. outside diameter 5 mm

Powerstripper 16.0

2.5...16.0 mm²



- Quick and easy adjustment to the respective cross-section
- Stripping length: 3...20 mm
- Min. conductor length: 22 mm + stripping length
- Max. outside diameter 8 mm

Technical data

Specification	
Stripping range	
Conductor length, min.	
Pull-off length	
Pulse time	
Electrical connection	
Connection values	
Tool data	
Length / Width / Height	mm
Weight	kg
Note	

POWERSTRIPPER 6,0		
Stripping range	0.05 - 6.0 mm ² (~AWG 30-10)	
Conductor length, min.	22 mm + stripping length	
Pull-off length	3-20 mm	
Pulse time	approx. 0.5 s	
Electrical connection	100-240 V / 50/65 Hz	
Connection values	46 VA	
Tool data		
Length / Width / Height	295 / 190 / 190	
Weight	8.8	
Note		

POWERSTRIPPER 16,0		
Stripping range	2.5 - 16 mm ² (~AWG 14-6)	
Conductor length, min.	22 mm + stripping length	
Pull-off length	3-20 mm	
Pulse time	approx. 1.5 s	
Electrical connection	100-240 V / 50/65 Hz	
Connection values	46 VA	
Tool data		
Length / Width / Height	295 / 190 / 230	
Weight	11	
Note		

Ordering data

Version
Note

Type	Qty.	Order No.
POWERSTRIPPER 6,0	1	9028510000
Note		

Type	Qty.	Order No.
POWERSTRIPPER 16,0	1	9028480000
Note		

Automatic strippers

- Electro-pneumatic drive
- Precise sheath stripping on conductors with various insulation types
- Very easy to use

Powerstripper AM 12

3.5...11.9 mm



- Stripping a cable with an outside diameter of 3.5 ... 11.9 mm
- Use of wire cross-sections with adapted V-radius blades
- Infinitely variable adjustment of sheath stripping and pull-off lengths between 25 and 120 mm
- Low weight and compact design
- Easy blade replacement

Technical data

Specification	
Insertion length	
Min./max. stripping area	
Min./max. stripping length	
Pull-off length	
Electrical connection	
Compressed air connection	
Pulse time	
Tool data	
Length / Width / Height	mm
Weight	kg
Note	

Ordering data

Version
Note

Powerstripper AM 12	
Insertion length	80 mm
Min./max. stripping area	3.5 mm-11.90
Min./max. stripping length	25-120
Pull-off length	20 - 120 mm
Electrical connection	100-240 V / 50/65 Hz
Compressed air connection	5.5 bar
Pulse time	approx. 3 s
Tool data	
Length / Width / Height	230 / 254 / 520
Weight	17
Note	

Type	Qty.	Order No.
Powerstripper AM 12	1	1534740000
Note		



Technical data

Machinery



Process



Energy



Transportation



Device
Manufacturers



Index

Index	Index Type	X.2
	Index Order No.	X.8

Type	Order No.	Page
A		
ACT20C-CMT-10-AO-RC-S	1510240000	T.77
ACT20C-CMT-60-AO-RC-S	1510420000	T.77
ACT20C-GTW-100-MTCP-S	1510370000	T.78
ACT20C-LBT-10	1510340000	T.76
ACT20P-AI-AO-DC-S	1477420000	T.86
ACT20P-CMT-10-AO-RC-S	1510470000	T.84
ACT20P-CMT-30-AO-RC-S	1510540000	T.84
ACT20P-CMT-60-AO-RC-S	1510440000	T.84
ACT20P-PRO DCCD II-S	1481970000	T.80
ACT20P-UJ-AO-DOLP-S	1453210000	T.83
ACT20X-HUI-SAO-LP-S	1318220000	T.82

Type	Order No.	Page
B		
BLDZ DN5.08/05/180F GY BX PRT	1919990000	T.11
BLZ DN 5.08/05/180F AU GY BX PRT	1933550000	T.11
BUGH BOX WM4 C BT	1530630000	T.168
BUGH WM4 C BT	1530690000	T.168
BUKO WM4 C BT	1530670000	T.168
BUKO WM4 C RL	1530770000	T.168
BV/SV 7.62HP KO	1937590000	T.176

Type	Order No.	Page
C		
CTF PV WM4	1222870000	T.168

Type	Order No.	Page
D		
DEK 5/8-11.5 MC NE WS	1341630000	T.6
DEK 5/8-11.5 MC NE WS	1341630000	T.7
DEK 5/8-11.5 MC NE WS	1341630000	T.8
DEK 5/8-11.5 MC NE WS	1341630000	T.9
DEK 5/8-11.5 MC NE WS	1341630000	T.10
DEK 5/8-11.5 MC NE WS	1341630000	T.11
DEK 5/8-11.5 MC NE WS	1341630000	T.12
DEK 5/8-11.5 MC NE WS	1341630000	T.13
DEK 5/8-11.5 MC NE WS	1341630000	T.14
DEK 5/8-11.5 MC NE WS	1341630000	T.15
DEK 5/8-11.5 MC NE WS	1341630000	T.16
DEK 5/8-11.5 MC NE WS	1341630000	T.17
DEK 5/8-11.5 MC NE WS	1341630000	T.18
DEK 5/8-11.5 MC NE WS	1341630000	T.19
DEK 5/8-11.5 MC NE WS	1341630000	T.20
DEK 5/8-11.5 MC NE WS	1341630000	T.21
DEK 5/8-11.5 MC NE WS	1341630000	T.22
DEK 5/8-11.5 MC NE WS	1341630000	T.23
DEK 5/8-11.5 MC NE WS	1341630000	T.24
DEK 5/8-11.5 MC NE WS	1341630000	T.25
DEK 5/8-11.5 MC NE WS	1341630000	T.26
DEK 5/8-11.5 MC NE WS	1341630000	T.27
DEK 5/8-11.5 MC NE WS	1341630000	T.28
DEK 5/8-11.5 MC NE WS	1341630000	T.29
DEK 5/8-11.5 MC NE WS	1341630000	T.30
DEK 5/8-11.5 MC NE WS	1341630000	T.31
DEK 5/8-11.5 MC NE WS	1341630000	T.32
DEK 5/8-11.5 MC NE WS	1341630000	T.33
DEK 5/8-11.5 MC NE WS	1341630000	T.34
DEK 5/8-11.5 MC NE WS	1341630000	T.35
DEK 5/8-11.5 MC NE WS	1341630000	T.36
DEK 5/8-11.5 MC NE WS	1341630000	T.37
DEK 5/8-11.5 MC NE WS	1341630000	T.38
DEK 5/8-11.5 MC NE WS	1341630000	T.39
DEK 5/8-11.5 MC NE WS	1341630000	T.40
DEK 5/8-11.5 MC NE WS	1341630000	T.41
DEK 5/8-11.5 MC NE WS	1341630000	T.42
DEK 5/8-11.5 MC NE WS	1341630000	T.43
DEK 5/8-11.5 MC NE WS	1341630000	T.44
DEK 5/8-11.5 MC NE WS	1341630000	T.45
DEK 5/8-11.5 MC NE WS	1341630000	T.46
DEK 5/8-11.5 MC NE WS	1341630000	T.47
DEK 5/8-11.5 MC NE WS	1341630000	T.48
DEK 5/8-11.5 MC NE WS	1341630000	T.49
DEK 5/8-11.5 MC NE WS	1341630000	T.50
DEK 5/8-11.5 MC NE WS	1341630000	T.51
DEK 5/8-11.5 MC NE WS	1341630000	T.52
DEK 5/8-11.5 MC NE WS	1341630000	T.53
DEK 5/8-11.5 MC NE WS	1341630000	T.54
DEK 5/8-11.5 MC NE WS	1341630000	T.55
DEK 5/8-11.5 MC NE WS	1341630000	T.56
DEK 5/8-11.5 MC NE WS	1341630000	T.57
DEK 5/8-11.5 MC NE WS	1341630000	T.58
DEK 5/8-11.5 MC NE WS	1341630000	T.59
DEK 5/8-11.5 MC SDR	1341610000	T.60
DEK 5/8-11.5 MC SDR	1341610000	T.61
DEK 5/8-11.5 MC SDR	1341610000	T.62
DEK 5/8-11.5 MC SDR	1341610000	T.63
DEK 5/8-11.5 MC SDR	1341610000	T.64
DEK 5/8-11.5 MC SDR	1341610000	T.65
DEK 5/8-11.5 MC SDR	1341610000	T.66
DEK 5/8-11.5 MC SDR	1341610000	T.67
DEK 5/8-11.5 MC SDR	1341610000	T.68
DEK 5/8-11.5 MC SDR	1341610000	T.69
DEK 5/8-11.5 MC SDR	1341610000	T.70
DEK 5/8-11.5 MC SDR	1341610000	T.71
DEK 5/8-11.5 MC SDR	1341610000	T.72
DEK 5/8-11.5 MC SDR	1341610000	T.73
DEK 5/8-11.5 MC SDR	1341610000	T.74
DMS MANUELL 0,5-1,7	9918370000	T.168
DMS MANUELL 2,0-8,0	9918380000	T.168

Type	Order No.	Page
E		
EASYCRIMP	2000360000	T.181
EBB 25-50/16	1547490000	T.116
ERME SPX UL	1471390000	T.178
ERME SPX UL XL	1512790000	T.178
ESG 7/20 SIRIUS MC NE WS	1736181044	T.128
ESG 7/20 SIRIUS MC NE WS	1736181044	T.128
ESG 7/20 SIRIUS MC NE WS	1736181044	T.129
ESG 7/20 SIRIUS MC NE WS	1736181044	T.129
ESG 7/20 SIRIUS MC NE WS	1736181044	T.130
ESG 7/20 SIRIUS MC NE WS	1736181044	T.131
ESG 7/20 SIRIUS MC NE WS	1736181044	T.131
ESG 7/20 SIRIUS MC NE WS	1736181044	T.132
ESG 7/20 SIRIUS MC NE WS	1736181044	T.133
ESG 7/20 SIRIUS MC NE WS	1736181044	T.133
ESO UR20 DIN A4 WS	1429430000	T.6
ESO UR20 DIN A4 WS	1429430000	T.7
ESO UR20 DIN A4 WS	1429430000	T.8
ESO UR20 DIN A4 WS	1429430000	T.9
ESO UR20 DIN A4 WS	1429430000	T.10
ESO UR20 DIN A4 WS	1429430000	T.11
ESO UR20 DIN A4 WS	1429430000	T.12
ESO UR20 DIN A4 WS	1429430000	T.13
ESO UR20 DIN A4 WS	1429430000	T.14
ESO UR20 DIN A4 WS	1429430000	T.15
ESO UR20 DIN A4 WS	1429430000	T.16
ESO UR20 DIN A4 WS	1429430000	T.17
ESO UR20 DIN A4 WS	1429430000	T.18
ESO UR20 DIN A4 WS	1429430000	T.19
ESO UR20 DIN A4 WS	1429430000	T.20
ESO UR20 DIN A4 WS	1429430000	T.21
ESO UR20 DIN A4 WS	1429430000	T.22
ESO UR20 DIN A4 WS	1429430000	T.23
ESO UR20 DIN A4 WS	1429430000	T.24
ESO UR20 DIN A4 WS	1429430000	T.25
ESO UR20 DIN A4 WS	1429430000	T.26
ESO UR20 DIN A4 WS	1429430000	T.27
ESO UR20 DIN A4 WS	1429430000	T.28
ESO UR20 DIN A4 WS	1429430000	T.29
ESO UR20 DIN A4 WS	1429430000	T.30
ESO UR20 DIN A4 WS	1429430000	T.31
ESO UR20 DIN A4 WS	1429430000	T.32
ESO UR20 DIN A4 WS	1429430000	T.33
ESO UR20 DIN A4 WS	1429430000	T.34
ESO UR20 DIN A4 WS	1429430000	T.35
ESO UR20 DIN A4 WS	1429430000	T.36
ESO UR20 DIN A4 WS	1429430000	T.37
ESO UR20 DIN A4 WS	1429430000	T.38
ESO UR20 DIN A4 WS	1429430000	T.39
ESO UR20 DIN A4 WS	1429430000	T.40
ESO UR20 DIN A4 WS	1429430000	T.41
ESO UR20 DIN A4 WS	1429430000	T.42
ESO UR20 DIN A4 WS	1429430000	T.43
ESO UR20 DIN A4 WS	1429430000	T.44
ESO UR20 DIN A4 WS	1429430000	T.45
ESO UR20 DIN A4 WS	1429430000	T.46
ESO UR20 DIN A4 WS	1429430000	T.47
ESO UR20 DIN A4 WS	1429430000	T.48
ESO UR20 DIN A4 WS	1429430000	T.49
ESO UR20 DIN A4 WS	1429430000	T.50
ESO UR20 DIN A4 WS	1429430000	T.51
ESO UR20 DIN A4 WS	1429430000	T.52
ESO UR20 DIN A4 WS	1429430000	T.53
ESO UR20 DIN A4 WS	1429430000	T.54
ESO UR20 DIN A4 WS	1429430000	T.55
ESO UR20 DIN A4 WS	1429430000	T.56
ESO UR20 DIN A4 WS	1429430000	T.57
ESO UR20 DIN A4 WS	1429430000	T.58
ESO UR20 DIN A4 WS	1429430000	T.59
ESO UR20 DIN A4 WS	1429430000	T.60
ESO UR20 DIN A4 WS	1429430000	T.61
ESO UR20 DIN A4 WS	1429430000	T.62
ESO UR20 DIN A4 WS	1429430000	T.63
ESO UR20 DIN A4 WS	1429430000	T.64
ESO UR20 DIN A4 WS	1429430000	T.65
ESO UR20 DIN A4 WS	1429430000	T.66
ESO UR20 DIN A4 WS	1429430000	T.67
ESO UR20 DIN A4 WS	1429430000	T.68
ESO UR20 DIN A4 WS	1429430000	T.69
ESO UR20 DIN A4 WS	1429430000	T.70
ESO UR20 DIN A4 WS	1429430000	T.71
ESO UR20 DIN A4 WS	1429430000	T.72
ESO UR20 DIN A4 WS	1429430000	T.73
ESO UR20 DIN A4 WS	1429430000	T.74

Type	Order No.	Page
F		
FTF HYB	1119580000	T.125

Type	Order No.	Page
H		
HTF HYB	1119580000	T.125

Type	Order No.	Page
I		
IE-BHD-V04P	2027660000	T.126
IE-BIC-HYB-P-0,2-300	1135160000	T.125
IE-BIC-HYB-P-0,5-300	1096150000	T.125
IE-BIC-HYB-P-0,75-300	1068970000	T.126
IE-BI-RJ45-C	1962840000	T.129
IE-BI-RJ45-C	1962840000	T.129
IE-BI-RJ45-C	1962840000	T.130
IE-BI-RJ45-C	1962840000	T.131
IE-BI-RJ45-C	1962840000	T.131
IE-BI-RJ45-C	1962840000	T.132
IE-BI-RJ45-C	1962840000	T.133
IE-BI-RJ45-FJA	1962850000	T.129
IE-BI-RJ45-FJA	1962850000	T.130
IE-BI-RJ45-FJA	1962850000	T.131
IE-BI-RJ45-FJA	1962850000	T.132
IE-BI-RJ45-FJA	1962850000	T.133
IE-BI-RJ45-FJA	1962850000	T.134
IE-BI-RJ45-FJB	1963840000	T.129
IE-BI-RJ45-FJB	1963840000	T.130
IE-BI-RJ45-FJB	1963840000	T.131
IE-BI-RJ45-FJB	1963840000	T.131
IE-BI-RJ45-FJB	1963840000	T.132
IE-BI-RJ45-FJB	1963840000	T.133
IE-BI-RJ45-FJB	1963840000	T.134
IE-BI-RJ45-FJP	1963830000	T.129
IE-BI-RJ45-FJP	1963830000	T.129
IE-BI-RJ45-FJP	1963830000	T.130
IE-BI-RJ45-FJP	1963830000	T.131
IE-BI-RJ45-FJP	1963830000	T.131
IE-BI-RJ45-FJP	1963830000	T.132

Type	Order No.	Page
IE-BI-RJ45-FJ-P	1963830000	T.133
IE-BI-RJ45-FJ-P	1963830000	T.134
IE-BI-USB-3.0-A	1487920000	T.129
IE-BI-USB-3.0-A	1487920000	T.129
IE-BI-USB-3.0-A	1487920000	T.130
IE-BI-USB-3.0-A	1487920000	T.131
IE-BI-USB-3.0-A	1487920000	T.131
IE-BI-USB-3.0-A	1487920000	T.132
IE-BI-USB-3.0-A	1487920000	T.133
IE-BI-USB-3.0-A	1487920000	T.135
IE-BI-USB-A	1019570000	T.129
IE-BI-USB-A	1019570000	T.129
IE-BI-USB-A	1019570000	T.130
IE-BI-USB-A	1019570000	T.131
IE-BI-USB-A	1019570000	T.131
IE-BI-USB-A	1019570000	T.132
IE-BI-USB-A	1019570000	T.133
IE-BI-USB-A	1019570000	T.135
IE-BI-USB-AB	1131380000	T.129
IE-BI-USB-AB	1131380000	T.129
IE-BI-USB-AB	1131380000	T.130
IE-BI-USB-AB	1131380000	T.131
IE-BI-USB-AB	1131380000	T.131
IE-BI-USB-AB	1131380000	T.132
IE-BI-USB-AB	1131380000	T.133
IE-BI-USB-AB	1131380000	T.135
IE-BP-V04P	1963900000	T.126
IE-BP-V14P	1058310000	T.124
IE-BP-V14P	1058310000	T.125
IE-BP-VAPP	1068930000	T.124
IECCV14M-HYB-10P-FJ	1990610000	T.125
IECCV14M-MF	1990620000	T.124
IECCV14M-MF	1990620000	T.125
IECCV14M-RJ45-FJ-P	1990600000	T.124
IECCVAPM-24V	1990630000	T.124
IECCVAPM-MF	1990640000	T.124
IE-CL240W-PP-BASE	1547440000	T.118
IE-CL240W-PP-REMOTE	1547450000	T.118
IE-FCI-D25-FF	1450880000	T.130
IE-FCI-D25-FF	1450880000	T.136
IE-FCI-D25-FM	1450890000	T.130
IE-FCI-D25-FM	1450890000	T.136
IE-FCI-D25-FS	1450900000	T.130
IE-FCI-D25-FS	1450900000	T.136
IE-FCI-D9-FF	1450840000	T.129
IE-FCI-D9-FF	1450840000	T.130
IE-FCI-D9-FF	1450840000	T.132
IE-FCI-D9-FF	1450840000	T.133
IE-FCI-D9-FF	1450840000	T.136
IE-FCI-D9-FM	1450850000	T.129
IE-FCI-D9-FM	1450850000	T.130
IE-FCI-D9-FM	1450850000	T.132
IE-FCI-D9-FM	1450850000	T.133
IE-FCI-D9-FM	1450850000	T.136
IE-FCI-D9-FS	1450870000	T.129
IE-FCI-D9-FS	1450870000	T.130
IE-FCI-D9-FS	1450870000	T.132
IE-FCI-D9-FS	1450870000	T.133
IE-FCI-D9-FS	1450870000	T.136
IE-FCI-HD15-FF	1556290000	T.137
IE-FCI-HDMI-FF	2003390000	T.137
IE-FCI-IP-1ST/1D9/1D25	1450650000	T.130
IE-FCI-IP-2ST/2D9	1450670000	T.132
IE-FCI-IP-BP	1450710000	T.130
IE-FCI-IP-PWB/2ST	1450630000	T.129
IE-FCI-IP-PWS/2D9	1450680000	T.133
IE-FCI-IP-PWS/2ST/1D9	1450690000	T.129
IE-FCI-IP-PWS/4ST	1450640000	T.133
IE-FCI-IP-PWU/1ST/CB	1543710000	T.131
IE-FCI-IP-PWU/2ST	1450700000	T.131
IE-FCI-PWB-AU	1450830000	T.129
IE-FCI-PWB-AU	1450830000	T.141
IE-FCI-PWB-AU-10A	1546590000	T.129
IE-FCI-PWB-AU-10A	1546590000	T.141
IE-FCI-PWB-CH	1450780000	T.129
IE-FCI-PWB-CH	1450780000	T.139
IE-FCI-PWB-CN	1450790000	T.129
IE-FCI-PWB-CN	1450790000	T.142
IE-FCI-PWB-DE	1450730000	T.129
IE-FCI-PWB-DE	1450730000	T.138
IE-FCI-PWB-DE-OR	1554000000	T.129
IE-FCI-PWB-DE-OR	1554000000	T.138
IE-FCI-PWB-FR	1450750000	T.129
IE-FCI-PWB-FR	1450750000	T.139
IE-FCI-PWB-FR-OR	2007230000	T.129
IE-FCI-PWB-FR-OR	2007230000	T.139
IE-FCI-PWB-GB	1450770000	T.129
IE-FCI-PWB-GB	1450770000	T.140
IE-FCI-PWB-MC	1529570000	T.129
IE-FCI-PWB-MC	1529570000	T.143
IE-FCI-PWB-RCB0	1534250000	T.129
IE-FCI-PWB-RCB0	1534250000	T.144
IE-FCI-PWCB-3A	1543690000	T.131
IE-FCI-PWCB-3A	1543690000	T.145
IE-FCI-PWS-EU	1450740000	T.129
IE-FCI-PWS-EU	1450740000	T.139
IE-FCI-PWS-EU	1450740000	T.133
IE-FCI-PWS-EU	1450740000	T.133
IE-FCI-PWS-EU	1450740000	T.141

Type	Order No.	Page
IE-FCI-PWS-IT	1450810000	T.129
IE-FCI-PWS-IT	1450810000	T.129
IE-FCI-PWS-IT	1450810000	T.133
IE-FCI-PWS-IT	1450810000	T.133
IE-FCI-PWS-IT	1450810000	T.140
IE-FCI-PWS-US	1450800000	T.131
IE-FCI-PWS-US	1450800000	T.131
IE-FCI-PWS-US	1450800000	T.142
IE-FC-KEY	1465930000	T.128
IE-FC-KEY	1465930000	T.128
IE-FC-PWPC	1450820000	T.128
IE-FC-PWPC	1450820000	T.128
IE-FC-PWPC	1450820000	T.129
IE-FC-PWPC	1450820000	T.129
IE-FC-PWPC	1450820000	T.130
IE-FC-PWPC	1450820000	T.131
IE-FC-PWPC	1450820000	T.131
IE-FC-PWPC	1450820000	T.132
IE-FC-PWPC	1450820000	T.133
IE-FC-PWPC	1450820000	T.133
IE-FC-PWPC	1450820000	T.146
IE-FC-SET-IPDEK001-KY-P	1543680000	T.148
IE-FC-SET-SPDED001-KN-P	1529580000	T.147
IE-FC-SET-SPDEK001-KY-P	1989020000	T.148
IE-FC-SET-SPMCD002-KY-M	1529390000	T.147
IE-FC-SFM-KEY	1450540000	T.128
IE-FC-SFM-KNOB	1450530000	T.128
IE-FC-SFF-KEY	1450520000	T.128
IE-FC-SFF-KNOB	1450510000	T.128
IE-FC-SP-1ST/1D9/1D25	1450580000	T.130
IE-FC-SP-2ST/2D9	1450590000	T.132
IE-FC-SP-PWB/2ST	1450550000	T.129
IE-FC-SP-PWS/2D9	1450610000	T.133
IE-FC-SP-PWS/2ST/1D9	1450600000	T.129
IE-FC-SP-PWS/4ST	1450570000	T.133
IE-FC-SP-PWU/2ST	1450620000	T.131
IE-PIRJ45-FHA-1.1	1992920000	T.120
IE-PIRJ45-FHA-1.1	1992920000	T.121
IE-PIRJ45-FHA-1.6	1992880000	T.120
IE-PIRJ45-FHA-1.6	1992880000	T.121
IE-PIRJ45-FH-B-1.1	1992930000	T.120
IE-PIRJ45-FH-B-1.1	1992930000	T.121
IE-PIRJ45-FH-B-1.6	1992900000	T.120
IE-PIRJ45-FH-B-1.6	1992900000	T.121
IE-PIRJ45-FH-P-1.6	1992910000	T.122
IE-PIRJ45-FH-P-1.6	1992910000	T.122
IE-PS-RJ45-FH-180-A-1.1	1992850000	T.120
IE-PS-RJ45-FH-180-A-1.6	1992820000	T.120
IE-PS-RJ45-FH-180-B-1.1	1992860000	T.120
IE-PS-RJ45-FH-180-B-1.6	1992830000	T.120
IE-PS-RJ45-FH-180-P-1.6	1992840000	T.122
IE-PS-RJ45-FH-90-A-1.1	1518080000	T.121
IE-PS-RJ45-FH-90-A-1.6	1992870000	T.121
IE-PS-RJ45-FH-90-B-1.1	1518090000	T.121
IE-PS-RJ45-FH-90-B-1.6	1992890000	T.121
IE-PS-RJ45-FH-90-P-1.6	1518100000	T.122
IE-PS-VAPM-24V	1068910000	T.118
IE-USB-A-MICRO-1.8M	1487980000	T.6
IE-USB-A-MICRO-1.8M	1487980000	T.7
IE-USB-A-MICRO-1.8M	1487980000	T.8
IE-USB-A-MICRO-1.8M	1487980000	T.9
IE-USB-A-MICRO-1.8M	1487980000	T.10
IE-USB-A-MICRO-1.8M	1487980000	T.11
IE-USB-A-MICRO-1.8M	1487980000	T.12
IE-USB-A-MICRO-1.8M	1487980000	T.7.3

J

JB 25-50	1547500000	T.116
----------	------------	-------

K

KOSM BHZ5.00	1483050000	T.6
KOSM BHZ5.00	1483050000	T.7
KOSM BHZ5.00	1483050000	T.8
KOSM BHZ5.00	1483050000	T.9
KOSM BHZ5.00	1483050000	T.10
KOSM BHZ5.00	1483050000	T.11
KOSM BHZ5.00	1483050000	T.12
KOSM BHZ5.00	1483050000	T.13
KOSM BHZ5.00	1483050000	T.14
KOSM BHZ5.00	1483050000	T.15
KOSM BHZ5.00	1483050000	T.16
KOSM BHZ5.00	1483050000	T.17
KOSM BHZ5.00	1483050000	T.18
KOSM BHZ5.00	1483050000	T.19
KOSM BHZ5.00	1483050000	T.20
KOSM BHZ5.00	1483050000	T.21
KOSM BHZ5.00	1483050000	T.22
KOSM BHZ5.00	1483050000	T.23
KOSM BHZ5.00	1483050000	T.24
KOSM BHZ5.00	1483050000	T.25
KOSM BHZ5.00	1483050000	T.26
KOSM BHZ5.00	1483050000	T.27
KOSM BHZ5.00	1483050000	T.28
KOSM BHZ5.00	1483050000	T.29
KOSM BHZ5.00	1483050000	T.30
KOSM BHZ5.00	1483050000	T.31

Type	Order No.	Page
KOSM BHZ5.00	1483050000	T.32
KOSM BHZ5.00	1483050000	T.33
KOSM BHZ5.00	1483050000	T.34
KOSM BHZ5.00	1483050000	T.35
KOSM BHZ5.00	1483050000	T.36
KOSM BHZ5.00	1483050000	T.37
KOSM BHZ5.00	1483050000	T.38
KOSM BHZ5.00	1483050000	T.39
KOSM BHZ5.00	1483050000	T.40
KOSM BHZ5.00	1483050000	T.41
KOSM BHZ5.00	1483050000	T.42
KOSM BHZ5.00	1483050000	T.43
KOSM BHZ5.00	1483050000	T.44
KOSM BHZ5.00	1483050000	T.45
KOSM BHZ5.00	1483050000	T.46
KOSM BHZ5.00	1483050000	T.47
KOSM BHZ5.00	1483050000	T.48
KOSM BHZ5.00	1483050000	T.49
KOSM BHZ5.00	1483050000	T.50
KOSM BHZ5.00	1483050000	T.51
KOSM BHZ5.00	1483050000	T.52
KOSM BHZ5.00	1483050000	T.53
KOSM BHZ5.00	1483050000	T.54
KOSM BHZ5.00	1483050000	T.55
KOSM BHZ5.00	1483050000	T.56
KOSM BHZ5.00	1483050000	T.57
KOSM BHZ5.00	1483050000	T.58
KOSM BHZ5.00	1483050000	T.59
KOSM BHZ5.00	1483050000	T.60
KOSM BHZ5.00	1483050000	T.61
KOSM BHZ5.00	1483050000	T.62
KOSM BHZ5.00	1483050000	T.63
KOSM BHZ5.00	1483050000	T.64
KOSM BHZ5.00	1483050000	T.65
KOSM BHZ5.00	1483050000	T.66
KOSM BHZ5.00	1483050000	T.67
KOSM BHZ5.00	1483050000	T.68
KOSM BHZ5.00	1483050000	T.69
KOSM BHZ5.00	1483050000	T.70
KOSM BHZ5.00	1483050000	T.71
KOSM BHZ5.00	1483050000	T.72
KOSM BHZ5.00	1483050000	T.73
KOSM BHZ5.00	1483050000	T.74
KT 8	9002650000	T.168

L

LS2HF 3.50/04/90 3.5SN OR BX	2000940000	T.174
LS2HF 3.50/06/90 3.5SN OR BX	2000950000	T.174
LS2HF 3.50/08/90 3.5SN OR BX	2000960000	T.174
LS2HF 3.50/10/90 3.5SN OR BX	2000970000	T.174
LS2HF 3.50/12/90 3.5SN OR BX	2000980000	T.174
LS2HF 3.50/14/90 3.5SN OR BX	2000990000	T.174
LS2HF 3.50/16/90 3.5SN OR BX	2001000000	T.174
LS2HF 3.50/18/90 3.5SN OR BX	2001010000	T.174
LS2HF 3.50/20/90 3.5SN OR BX	2001020000	T.174
LS2HF 3.50/22/90 3.5SN OR BX	2001030000	T.174
LS2HF 3.50/24/90 3.5SN OR BX	2001040000	T.174
LUF 10.00/01/90 5.0SN BK BX	1988590000	T.172
LUF 10.00/02/90 5.0SN BK BX	1988600000	T.172
LUF 10.00/03/90 5.0SN BK BX	1988610000	T.172
LUF 10.00/04/90 5.0SN BK BX	1988620000	T.172
LUF 10.00/05/90 5.0SN BK BX	1988630000	T.172
LUF 10.00/06/90 5.0SN BK BX	1988640000	T.172
LUF 10.00/07/90 5.0SN BK BX	1988650000	T.172
LUF 10.00/08/90 5.0SN BK BX	1988660000	T.172

M

multi-stripax 6-16	9202210000	T.17
multi-stripax 6-16	9202210000	T.31
multi-stripax 6-16	9202210000	T.45
multi-stripax 6-16	9202210000	T.46
multi-stripax 6-16	9202210000	T.48
multi-stripax 6-16	9202210000	T.49
multi-stripax 6-16	9202210000	T.55
multi-stripax 6-16	9202210000	T.56
multi-stripax PV	1190490000	T.168

P

PAC-UNIV-HE20-LCH-1M	7789306010	T.19
PAC-UNIV-HE20-LCH-1M	7789306010	T.25
PAC-UNIV-HE20-LCH-1M	7789306010	T.33
PAC-UNIV-HE20-LCH-1M	7789306010	T.

Type	Order No.	Page
PM 2.7/2.6 MC NE WS	1323710000	T.20
PM 2.7/2.6 MC NE WS	1323710000	T.21
PM 2.7/2.6 MC NE WS	1323710000	T.22
PM 2.7/2.6 MC NE WS	1323710000	T.23
PM 2.7/2.6 MC NE WS	1323710000	T.24
PM 2.7/2.6 MC NE WS	1323710000	T.25
PM 2.7/2.6 MC NE WS	1323710000	T.26
PM 2.7/2.6 MC NE WS	1323710000	T.27
PM 2.7/2.6 MC NE WS	1323710000	T.28
PM 2.7/2.6 MC NE WS	1323710000	T.29
PM 2.7/2.6 MC NE WS	1323710000	T.30
PM 2.7/2.6 MC NE WS	1323710000	T.32
PM 2.7/2.6 MC NE WS	1323710000	T.33
PM 2.7/2.6 MC NE WS	1323710000	T.34
PM 2.7/2.6 MC NE WS	1323710000	T.35
PM 2.7/2.6 MC NE WS	1323710000	T.36
PM 2.7/2.6 MC NE WS	1323710000	T.37
PM 2.7/2.6 MC NE WS	1323710000	T.38
PM 2.7/2.6 MC NE WS	1323710000	T.39
PM 2.7/2.6 MC NE WS	1323710000	T.40
PM 2.7/2.6 MC NE WS	1323710000	T.41
PM 2.7/2.6 MC NE WS	1323710000	T.42
PM 2.7/2.6 MC NE WS	1323710000	T.43
PM 2.7/2.6 MC NE WS	1323710000	T.44
PM 2.7/2.6 MC NE WS	1323710000	T.47
PM 2.7/2.6 MC NE WS	1323710000	T.50
PM 2.7/2.6 MC NE WS	1323710000	T.51
PM 2.7/2.6 MC NE WS	1323710000	T.52
PM 2.7/2.6 MC NE WS	1323710000	T.53
PM 2.7/2.6 MC NE WS	1323710000	T.54
PM 2.7/2.6 MC NE WS	1323710000	T.57
PM 2.7/2.6 MC NE WS	1323710000	T.58
PM 2.7/2.6 MC NE WS	1323710000	T.59
PM 2.7/2.6 MC NE WS	1323710000	T.60
PM 2.7/2.6 MC NE WS	1323710000	T.61
PM 2.7/2.6 MC NE WS	1323710000	T.62
PM 2.7/2.6 MC NE WS	1323710000	T.63
PM 2.7/2.6 MC NE WS	1323710000	T.64
PM 2.7/2.6 MC NE WS	1323710000	T.65
PM 2.7/2.6 MC NE WS	1323710000	T.66
PM 2.7/2.6 MC NE WS	1323710000	T.67
PM 2.7/2.6 MC NE WS	1323710000	T.68
PM 2.7/2.6 MC NE WS	1323710000	T.69
PM 2.7/2.6 MC NE WS	1323710000	T.70
PM 2.7/2.6 MC NE WS	1323710000	T.71
PM 2.7/2.6 MC NE WS	1323710000	T.72
PM 2.7/2.6 MC NE WS	1323710000	T.73
PM 2.7/2.6 MC NE WS	1323710000	T.74
PM 2.7/2.6 MC NE WS	1323710000	T.76
PM 2.7/2.6 MC NE WS	1323710000	T.77
PM 2.7/2.6 MC NE WS	1323710000	T.78
PM 2.7/2.6 MC NE WS	1323710000	T.79
PM 2.7/2.6 MC NE WS	1323710000	T.80
PM 2.7/2.6 MC NE WS	1323710000	T.81
PM 2.7/2.6 MC NE WS	1323710000	T.82
PM 2.7/2.6 MC NE WS	1323710000	T.83
PM 2.7/2.6 MC NE WS	1323710000	T.84
PM 2.7/2.6 MC NE WS	1323710000	T.85
PM 2.7/2.6 MC NE WS	1323710000	T.86
PM 2.7/2.6 MC NE WS	1323710000	T.87
PM 2.7/2.6 MC NE WS	1323710000	T.88
PM 2.7/2.6 MC NE WS	1323710000	T.89
PM 2.7/2.6 MC NE WS	1323710000	T.90
PM 2.7/2.6 MC NE WS	1323710000	T.91
PM 2.7/2.6 MC NE WS	1323710000	T.92
PM 2.7/2.6 MC NE WS	1323710000	T.93
PM 2.7/2.6 MC NE WS	1323710000	T.94
PM 2.7/2.6 MC NE WS	1323710000	T.95
PM 2.7/2.6 MC NE WS	1323710000	T.96
PM 2.7/2.6 MC NE WS	1323710000	T.97
PM 2.7/2.6 MC NE WS	1323710000	T.98
PM 2.7/2.6 MC NE WS	1323710000	T.99
PM 2.7/2.6 MC NE WS	1323710000	T.100

Type	Order No.	Page
PM 2.7/2.6 MC SDR	1323700000	T.65
PM 2.7/2.6 MC SDR	1323700000	T.66
PM 2.7/2.6 MC SDR	1323700000	T.67
PM 2.7/2.6 MC SDR	1323700000	T.68
PM 2.7/2.6 MC SDR	1323700000	T.69
PM 2.7/2.6 MC SDR	1323700000	T.70
PM 2.7/2.6 MC SDR	1323700000	T.71
PM 2.7/2.6 MC SDR	1323700000	T.72
PM 2.7/2.6 MC SDR	1323700000	T.73
PM 2.7/2.6 MC SDR	1323700000	T.74
POWERSTRIPPER 16,0	9028480000	T.182
POWERSTRIPPER 6,0	9028510000	T.182
Powerstripper AM 12	1594740000	T.183
PRD DCDC 120W 24V 5A	2001800000	T.101
PRD DCDC 240W 24V 10A	2001810000	T.101
PRD DCDC 480W 24V 20A	2001820000	T.102
PS 2.0 MC	9010000000	T.172
PVC-TV1-BK-4-1000	1203780000	T.168
PVC-TV1-BK-6-1000	1524740000	T.168
PWZ RJ45	1118040000	T.120
PWZ RJ45	1118040000	T.120
PWZ RJ45	1118040000	T.121
PWZ RJ45	1118040000	T.121
PWZ RJ45	1118040000	T.122
PWZ RJ45	1118040000	T.122
PWZ RJ45	1118040000	T.134
PWZ UR20-HD	1525820000	T.17
PWZ UR20-HD	1525820000	T.31
PWZ UR20-HD	1525820000	T.45
PWZ UR20-HD	1525820000	T.46
PWZ UR20-HD	1525820000	T.48
PWZ UR20-HD	1525820000	T.49
PWZ UR20-HD	1525820000	T.55
PWZ UR20-HD	1525820000	T.56
PZ 10 HEX	1445070000	T.180
PZ 10 HEX ZERT	1989320000	T.180
PZ 10 SDR	1445080000	T.180
PZ 10 SDR ZERT	1989310000	T.180

R

RS 16IO 1W H S	9445700000	T.19
RS 16IO 1W H S	9445700000	T.25
RS 16IO 1W H S	9445700000	T.33
RS 16IO 1W H S	9445700000	T.38
RS F20 LP2N 5/20	0224261001	T.50

S

SAI-4-M-MVV-112 1:1	2009620000	T.164
SAI-4-M-MVV-M12 S-COD	1542580000	T.165
SAIB-3+PE/11-S-COD	1392000000	T.166
SAIBW-3+PE/11-S-COD	1467870000	T.166
SAID-M12B-4-9SMT	2422060000	T.159
SAID-M12B-4S-9SMT	2422180000	T.159
SAID-M12B-5-9SMT	2422120000	T.159
SAID-M12B-5S-9SMT	2422240000	T.159
SAID-M12B-8-9SMT	2422480000	T.159
SAID-M12B-8S-9SMT	2423380000	T.159
SAID-M12B-8S-9SMT	2422840000	T.160
SAID-M12B-8S-9SMT	2422900000	T.160
SAID-M12B-4-9SMT	2422960000	T.160
SAID-M12S-4-9SMT	2422540000	T.159
SAID-M12S-4S-9SMT	2423500000	T.159
SAID-M12S-5-9SMT	2422600000	T.159
SAID-M12S-5S-9SMT	2423560000	T.159
SAID-M12S-8-9SMT	2422420000	T.159
SAID-M12S-8S-9SMT	2423620000	T.159
SAID-M12SB-4-9SMT	2422720000	T.160
SAID-M12SB-5-9SMT	2422780000	T.160
SAID-M8B-3-SMT	2421720000	T.158
SAID-M8B-3S-SMT	2421780000	T.158
SAID-M8B-4-SMT	2421840000	T.158
SAID-M8B-4S-SMT	2421900000	T.158
SAID-M8B-5-SMT	2421960000	T.158
SAID-M8B-5S-SMT	2422020000	T.158
SAID-M8B-8-SMT	2422080000	T.158
SAID-M8B-8S-SMT	2422140000	T.158
SAID-M8S-3-SMT	2421750000	T.158
SAID-M8S-3S-SMT	2421810000	T.158
SAID-M8S-4-SMT	2421870000	T.158
SAID-M8S-4S-SMT	2421930000	T.158
SAID-M8S-5-SMT	2421990000	T.158
SAID-M8S-5S-SMT	2422050000	T.158
SAID-M8S-8-SMT	2422110000	T.158
SAID-M8S-8S-SMT	2422170000	T.158
SAIE-M12B-4B-H12TL-M16	2422340000	T.154
SAIE-M12B-4B-H5.5TL-M16	2422310000	T.154
SAIE-M12B-4D-H12TL-M16	2422280000	T.154
SAIE-M12B-4D-H5.5TL-M16	2422430000	T.154
SAIE-M12B-4H12TL-M16	2421660000	T.152
SAIE-M12B-4H12TL-PG9	2421950000	T.153
SAIE-M12B-4H5.5TL-M16	2421600000	T.152
SAIE-M12B-4H5.5TL-PG9	2421920000	T.153
SAIE-M12S-5H12TL-M16	2421680000	T.152
SAIE-M12S-5H12TL-PG9	2422010000	T.153
SAIE-M12B-5H5.5TL-M16	2421620000	T.152
SAIE-M12B-5H5.5TL-PG9	2421980000	T.153
SAIE-M12B-8H12TL-M16	2421710000	T.152

Type	Order No.	Page
SAIE-M12B-8H12TL-PG9	2422070000	T.153
SAIE-M12B-8H5.5TL-M16	2421640000	T.152
SAIE-M12B-8H5.5TL-PG9	2422040000	T.153
SAIE-M12B-4B-H12TL-PG9	2424510000	T.155
SAIE-M12B-4B-H5.5TL-PG9	2424490000	T.155
SAIE-M12B-4H12TL-PG9	2424470000	T.155
SAIE-M12B-4H5.5TL-PG9	2424440000	T.155
SAIE-M12S-4B-H12TL-M16	2422400000	T.154
SAIE-M12S-4B-H5.5TL-M16	2422370000	T.154
SAIE-M12S-4H12TL-M16	2421830000	T.152
SAIE-M12S-4H12TL-PG9	2422130000	T.153
SAIE-M12S-4H5.5TL-M16	2421740000	T.152
SAIE-M12S-4H5.5TL-PG9	2422100000	T.153
SAIE-M12S-5H12TL-PG9	2422190000	T.153
SAIE-M12S-5H5.5TL-M16	2422170000	T.152
SAIE-M12S-5H5.5TL-PG9	2422160000	T.153
SAIE-M12S-8H12TL-M16	2421890000	T.152
SAIE-M12S-8H12TL-PG9	2422250000	T.153
SAIE-M12S-8H5.5TL-M16	2421800000	T.152
SAIE-M12S-8H5.5TL-PG9	2422220000	T.153
SAIE-M12SB-4H12TL-PG9	2421730000	T.155
SAIE-M12SB-4H5.5TL-PG9	2421700000	T.155
SAIE-M8B-4-H5.5TL	2421610000	T.150
SAIE-M8B-5B-H5.5TL	2421630000	T.150
SAIE-M8B-8-H5.5TL	2421650000	T.150
SAIE-M8S-3-H5.5TL	2421570000	T.150
SAIE-M8S-4-H5.5TL	2421580000	T.150
SAIE-M8S-5B-H5.5TL	2421590000	T.150
SAIEW-M12B-4-FTL	2423540000	T.156
SAIEW-M12B-4-HTL	2423420000	T.156
SAIEW-M12B-4S-FTL	2423570000	T.157
SAIEW-M12B-4S-HTL	2423450000	T.157
SAIEW-M12B-5-FTL	2423600000	T.156
SAIEW-M12B-5-HTL	2423480000	T.156
SAIEW-M12B-5S-FTL	2423630000	T.157
SAIEW-M12B-5S-HTL	2423510000	T.157
SAIEW-M12S-4-FTL	2423780000	T.156
SAIEW-M12S-4-HTL	2423660000	T.156
SAIEW-M12S-4S-FTL	2423810000	T.157
SAIEW-M12S-4S-HTL	2423690000	T.157
SAIEW-M12S-5-FTL	2423840000	T.156
SAIEW-M12S-5-HTL	2423720000	T.156
SAIEW-M12S-5S-FTL	2423870000	T.157
SAIEW-M12S-5S-HTL	2423750000	T.157
SAIEW-M8B-3S-H12TL	2424280000	T.151
SAIEW-M8B-3S-H8TL	2424250000	T.151
SAIEW-M8B-4S-H12TL	2424390000	T.151
SAIEW-M8B-4S-H8TL	2424360000	T.151
SAIEW-M8S-3S-H12TL	2424330000	T.151
SAIEW-M8S-3S-H8TL	2424300000	T.151
SAIEW-M8S-4H12TL	2424450000	T.151
SAIEW-M8S-4S-H8TL	2424420000	T.151
SAIFG-M14X1-B-1	2423920000	T.162
SAIFG-M14X1-B-2	2423950000	T.162
SAIFG-M14X1-S-1	2423980000	T.163
SAIS-3+PE/11-S-COD	1391990000	T.166
SAISKM-M14X1	2424010000	T.163
SAISW-3+PE/11-S-COD	1467860000	T.166
SCREWTY SW15	1290830000	T.168
SCREWTY SW17	1254660000	T.168
SDIS 0.4X2.5X75	9008370000	T.174
SDIS 0.8X4.0X100	9008400000	T.172
SDK PZ2	9008540000	T.106
SDK PZ2	9008540000	T.106
SDK PZ2	9008540000	T.107
SDK PZ2	9008540000	T.107
SDK PZ2	9008540000	T.108
SDK PZ2	9008540000	T.108
SDK PZ2	9008540000	T.109
SDK PZ2	9008540000	T.109
SDK PZ2	9008540000	T.110
SDK PZ2	9008540000	T.110
SDK PZ2	9008540000	T.111
SDK PZ2	9008540000	T.111
SDK PZ2	9008540000	T.112
SDK PZ2	9008540000	T.112
SDK PZ2	9008540000	T.113
SDK PZ2	9008540000	T.113
SDS 0.4X2.5X75	9009030000	T.174
SDS 0.8X4.0X100	9008340000	T.172
SFGH BOX WM4 C BT	1530640000	T.168
SFGH WM4 C BT	1530700000	T.168
SFKO WM4 C BT	1530680000	T.168
SFKO WM4 C RL	1530780000	T.168
SK WSD-S 1,5-10,0	9008850000	T.116
SKS 2,0-8,0 MR	9008870000	T.114
SKS 2,0-8,0 MR	9008870000	T.114
SKS 2,0-8,0 MR	9008870000	T.115
SKS 2,0-8,0 MR	9008870000	T.115
SM 27/18 K MC NE GR	1073340000	T.128
SM 27/18 K MC NE GR	1073340000	T.128
SM 27/18 K MC NE SI	1713760000	T.128
SM 27/18 K MC NE SI	1713760000	T.128
SM 27/18 K MC NE WS	1707270000	T.128
SM 27/18 K MC NE WS	1707270000	T.128
STRIPAX ULTIMATE	1468880000	T.178
STRIPAX ULTIMATE XL	1512780000	T.178
SVD 7.62HP/04/270F 3.2SN BK BX	1523940000	T.177

Type	Order No.	Page
SVD 7.62HP/04/270G 3.2SN BK BX	1543290000	T.176
SVD 7.62HP/06/270F 3.2SN BK BX	1523950000	T.177
SVD 7.62HP/08/270G 3.2SN BK BX	1543310000	T.176
SVD 7.62HP/08/270F 3.2SN BK BX	1523970000	T.177
SVD 7.62HP/10/270G 3.2SN BK BX	1543320000	T.176
SVD 7.62HP/10/270F 3.2SN BK BX	1523980000	T.177
SVD 7.62HP/12/270G 3.2SN BK BX	1543330000	T.176
SVD 7.62HP/12/270F 3.2SN BK BX	1523990000	T.177
SVD 7.62HP/12/270G 3.2SN BK BX	1543340000	T.176

T

Type	Order No.	Page
THM UR20 GE	1429910000	T.6
THM UR20 GE	1429910000	T.7
THM UR20 GE	1429910000	T.8
THM UR20 GE	1429910000	T.9
THM UR20 GE	1429910000	T.10
THM UR20 GE	1429910000	T.11
THM UR20 GE	1429910000	T.12
THM UR20 GE	1429910000	T.13
THM UR20 GE	1429910000	T.14
THM UR20 GE	1429910000	T.15
THM UR20 GE	1429910000	T.16
THM UR20 GE	1429910000	T.17
THM UR20 GE	1429910000	T.18
THM UR20 GE	1429910000	T.19
THM UR20 GE	1429910000	T.20
THM UR20 GE	1429910000	T.21
THM UR20 GE	1429910000	T.22
THM UR20 GE	1429910000	T.23
THM UR20 GE	1429910000	T.24
THM UR20 GE	1429910000	T.25
THM UR20 GE	1429910000	T.26
THM UR20 GE	1429910000	T.27
THM UR20 GE	1429910000	T.28
THM UR20 GE	1429910000	T.29
THM UR20 GE	1429910000	T.30
THM UR20 GE	1429910000	T.31
THM UR20 GE	1429910000	T.32
THM UR20 GE	1429910000	T.33
THM UR20 GE	1429910000	T.34
THM UR20 GE	1429910000	T.35
THM UR20 GE	1429910000	T.36
THM UR20 GE	1429910000	T.37
THM UR20 GE	1429910000	T.38
THM UR20 GE	1429910000	T.39
THM UR20 GE	1429910000	T.40
THM UR20 GE	1429910000	T.41
THM UR20 GE	1429910000	T.42
THM UR20 GE	1429910000	T.43
THM UR20 GE	1429910000	T.44
THM UR20 GE	1429910000	T.45
THM UR20 GE	1429910000	T.46
THM UR20 GE	1429910000	T.47
THM UR20 GE	1429910000	T.48
THM UR20 GE	1429910000	T.49
THM UR20 GE	1429910000	T.50
THM UR20 GE	1429910000	T.51
THM UR20 GE	1429910000	T.52
THM UR20 GE	1429910000	T.53
THM UR20 GE	1429910000	T.54
THM UR20 GE	1429910000	T.55
THM UR20 GE	1429910000	T.56
THM UR20 GE	1429910000	T.57
THM UR20 GE	1429910000	T.58
THM UR20 GE	1429910000	T.59
THM UR20 GE	1429910000	T.60
THM UR20 GE	1429910000	T.61
THM UR20 GE	1429910000	T.62
THM UR20 GE	1429910000	T.63
THM UR20 GE	1429910000	T.64
THM UR20 GE	1429910000	T.65
THM UR20 GE	1429910000	T.66
THM UR20 GE	1429910000	T.67
THM UR20 GE	1429910000	T.68
THM UR20 GE	1429910000	T.69
THM UR20 GE	1429910000	T.70
THM UR20 GE	1429910000	T.71
THM UR20 GE	1429910000	T.72
THM UR20 GE	1429910000	T.73
THM UR20 GE	1429910000	T.74
THM UR20 GE	1429910000	T.75
THM UR20 GE	1429910000	T.76
THM UR20 GE	1429910000	T.77
THM UR20 GE	1429910000	T.78
THM UR20 GE	1429910000	T.79
THM UR20 GE	1429910000	T.80
THM UR20 GE	1429910000	T.81
THM UR20 GE	1429910000	T.82
THM UR20 GE	1429910000	T.83
THM UR20 GE	1429910000	T.84
THM UR20 GE	1429910000	T.85
THM UR20 GE	1429910000	T.86
THM UR20 GE	1429910000	T.87
THM UR20 GE	1429910000	T.88
THM UR20 GE	1429910000	T.89
THM UR20 GE	1429910000	T.90
THM UR20 GE	1429910000	T.91
THM UR20 GE	1429910000	T.92
THM UR20 GE	1429910000	T.93
THM UR20 GE	1429910000	T.94
THM UR20 GE	1429910000	T.95
THM UR20 GE	1429910000	T.96
THM UR20 GE	1429910000	T.97
THM UR20 GE	1429910000	T.98
THM UR20 GE	1429910000	T.99
THM UR20 GE	1429910000	T.100
THM UR20 WS	1429420000	T.6
THM UR20 WS	1429420000	T.7
THM UR20 WS	1429420000	T.8
THM UR20 WS	1429420000	T.9
THM UR20 WS	1429420000	T.10
THM UR20 WS	1429420000	T.11
THM UR20 WS	1429420000	T.12
THM UR20 WS	1429420000	T.13
THM UR20 WS	1429420000	T.14
THM UR20 WS	1429420000	T.15
THM UR20 WS	1429420000	T.16
THM UR20 WS	1429420000	T.17
THM UR20 WS	1429420000	T.18
THM UR20 WS	1429420000	T.19
THM UR20 WS	1429420000	T.20
THM UR20 WS	1429420000	T.21
THM UR20 WS	1429420000	T.22
THM UR20 WS	1429420000	T.23

Type	Order No.	Page
THM UR20 WS	1429420000	T.24
THM UR20 WS	1429420000	T.25
THM UR20 WS	1429420000	T.26
THM UR20 WS	1429420000	T.27
THM UR20 WS	1429420000	T.28
THM UR20 WS	1429420000	T.29
THM UR20 WS	1429420000	T.30
THM UR20 WS	1429420000	T.31
THM UR20 WS	1429420000	T.32
THM UR20 WS	1429420000	T.33
THM UR20 WS	1429420000	T.34
THM UR20 WS	1429420000	T.35
THM UR20 WS	1429420000	T.36
THM UR20 WS	1429420000	T.37
THM UR20 WS	1429420000	T.38
THM UR20 WS	1429420000	T.39
THM UR20 WS	1429420000	T.40
THM UR20 WS	1429420000	T.41
THM UR20 WS	1429420000	T.42
THM UR20 WS	1429420000	T.43
THM UR20 WS	1429420000	T.44
THM UR20 WS	1429420000	T.45
THM UR20 WS	1429420000	T.46
THM UR20 WS	1429420000	T.47
THM UR20 WS	1429420000	T.48
THM UR20 WS	1429420000	T.49
THM UR20 WS	1429420000	T.50
THM UR20 WS	1429420000	T.51
THM UR20 WS	1429420000	T.52
THM UR20 WS	1429420000	T.53
THM UR20 WS	1429420000	T.54
THM UR20 WS	1429420000	T.55
THM UR20 WS	1429420000	T.56
THM UR20 WS	1429420000	T.57
THM UR20 WS	1429420000	T.58
THM UR20 WS	1429420000	T.59
THM UR20 WS	1429420000	T.60
THM UR20 WS	1429420000	T.61
THM UR20 WS	1429420000	T.62
THM UR20 WS	1429420000	T.63
THM UR20 WS	1429420000	T.64
THM UR20 WS	1429420000	T.65
THM UR20 WS	1429420000	T.66
THM UR20 WS	1429420000	T.67
THM UR20 WS	1429420000	T.68
THM UR20 WS	1429420000	T.69
THM UR20 WS	1429420000	T.70
THM UR20 WS	1429420000	T.71
THM UR20 WS	1429420000	T.72
THM UR20 WS	1429420000	T.73
THM UR20 WS	1429420000	T.74
TOS 24-230VUC 24VDC5A	1990970000	T.94
TOS 24VDC 24VDC5A	1990960000	T.94
TOZ 24-230VUC 24VDC5A	1990990000	T.94
TOZ 24VDC 24VDC5A	1990980000	T.94
TRANSLINIC 14I+	1238130000	T.104
TRANSLINIC 16I+	2008130000	T.105
TRANSLINIC 8I+	1238120000	T.104
TRS 120VAC RC 1C0 16A	1479750000	T.89
TRS 120VACRC 1C0 C1D2	1984590000	T.97
TRS 120VACRC 1COAU C1D2	1984640000	T.99
TRS 120VUC 1C0 16A	1479730000	T.89
TRS 12VDC 1C0 16A	1479670000	T.89
TRS 12VDC 1C0 C1D2	1984560000	T.97
TRS 12VDC 1COAU C1D2	1984620000	T.99
TRS 230VAC RC 1C0 16A	1479760000	T.89
TRS 230VACRC 1C0 C1D2	1984600000	T.97
TRS 230VUC 1C0 16A	1479740000	T.89
TRS 24-230VUC 1C0 16A	1479770000	T.90
TRS 24-230VUC 1C0 C1D2	1984610000	T.97
TRS 24-230VUC 1COAUC1D2	1984650000	T.99
TRS 24-230VUC 1NO HC	1479790000	T.91
TRS 24-230VUC 1NO HCP	1479830000	T.92
TRS 24VDC 1C0 16A	1479680000	T.89
TRS 24VDC 1C0 AGSNO	1984540000	T.93
TRS 24VDC 1C0 C1D2	1984570000	T.97
TRS 24VDC 1COAU C1D2	1984630000	T.99
TRS 24VDC 1NO HC	1479780000	T.91
TRS 24VDC 1NO HCP	1479810000	T.92
TRS 24VUC 1C0 16A	1479690000	T.89
TRS 24VUC 1C0 C1D2	1984580000	T.97
TRS 48VUC 1C0 16A	1479700000	T.89
TRS 5VDC 1C0 16A	1479650000	T.89
TRZ 60VUC 1C0 16A	1479710000	T.89
TRZ 120VAC RC 1C0 16A	1479910000	T.89
TRZ 120VUC 1C0 16A	1479890000	T.89
TRZ 12VDC 1C0 16A	1479820000	T.89
TRZ 230VAC RC 1C0 16A	1479920000	T.89
TRZ 230VUC 1C0 16A	1479900000	T.89
TRZ 24-230VUC 1C0 16A	1479930000	T.90
TRZ 24-230VUC 1NO HC	1479950000	T.91
TRZ 24-230VUC 1NO HCP	1479980000	T.92
TRZ 24VDC 1C0 16A	1479840000	T.89
TRZ 24VDC 1C0 AGSNO	1984550000	T.93
TRZ 24VDC 1NO HC	1479940000	T.91
TRZ 24VDC 1NO HCP	1479970000	T.92
TRZ 24VUC 1C0 16A	1479850000	T.89
TRZ 48VUC 1C0 16A	1479870000	T.89
TRZ 5VDC 1C0 16A	1479800000	T.89

Type	Order No.	Page
TRZ 60VUC 1C0 16A	1479880000	T.89
UR20 PK FBC	1361520000	T.6
UR20-16AUX-FE	1334790000	T.73
UR20-16AUX-GND-I	1334800000	T.73
UR20-16AUX-GND-O	1334810000	T.73
UR20-16AUX-I	1334770000	T.73
UR20-16AUX-O	1334780000	T.73
UR20-16DIN	1315390000	T.24
UR20-16DIN-PLC-INT	1315400000	T.25
UR20-16DIP	1315200000	T.18
UR20-16DIP-PLC-INT	1315210000	T.19
UR20-16D0-N	1315440000	T.37
UR20-16D0-N-PLC-INT	1315450000	T.38
UR20-16D0-P	1315250000	T.32
UR20-16D0-P-PLC-INT	1315270000	T.33
UR20-1CNT-100-1D0	1315570000	T.57
UR20-1CNT-500	1315580000	T.59
UR20-1COM-232-485-422	1315750000	T.62
UR20-1COM-SAI-PRO	2007430000	T.63
UR20-1SSI	1508090000	T.61
UR20-2CNT-100	1315590000	T.58
UR20-2DI-P-TS	1460140000	T.20
UR20-2FCNT-100	1508080000	T.60
UR20-2PWM-PN-0.5A	1315600000	T.41
UR20-2PWM-PN-2A	1315610000	T.42
UR20-4AI-RTD-DIAG	1315700000	T.52
UR20-4AI-TC-DIAG	1315710000	T.51
UR20-4AI-UI-12	1394390000	T.47
UR20-4AI-UI-16	1315620000	T.43
UR20-4AI-UI-16-DIAG	1315690000	T.44
UR20-4AI-UI-16-DIAG-HD	1506910000	T.46
UR20-4AI-UI-16-HD	1506920000	T.45
UR20-4AO-UI-16	1315680000	T.53
UR20-4AO-UI-16-DIAG	1315730000	T.54
UR20-4AO-UI-16-DIAG-HD	1506930000	T.56
UR20-4AO-UI-16-HD	1510690000	T.55
UR20-4DI-2W-230V-AC	1550070000	T.26
UR20-4DI-400-PN-FSDE	1529780000	T.64
UR20-4DI-400-PN-FSPS	1335060000	T.66
UR20-4DI-N	1315350000	T.22
UR20-4DI-P	1315170000	T.13
UR20-4DI-P-3W	2009360000	T.14
UR20-4DI-P-TS	1460150000	T.21
UR20-4D0-N	1315410000	T.34
UR20-4D0-N-2A	1315420000	T.35
UR20-4D0-P	1315220000	T.27
UR20-4D0-P-2A	1315230000	T.28
UR20-4D0-PN-2A	1394420000	T.29
UR20-4RO-CO-255	1315550000	T.40
UR20-4RO-SSR-255	1315540000	T.39
UR20-8AI-16-DIAG-HD	1315720000	T.49
UR20-8AI-16-HD	1315650000	T.48
UR20-8AI-PLC-INT	1315670000	T.50
UR20-8DI-N-3W	1315370000	T.23
UR20-8DI-P-2W	1315180000	T.15
UR20-8DI-P-3W	1394400000	T.16
UR20-8DI-P-3W-HD	1315190000	T.17
UR20-8DI-PN-FSDE	1529800000	T.65
UR20-8DI-PN-FSDE	1335070000	T.67
UR20-8D0-N	1315430000	T.36
UR20-8D0-P	1315240000	T.30
UR20-8D0-P-2W-HD	1509830000	T.31
UR20-BM-PF-ISP	1350940000	T.71
UR20-BM-PF-0-SIL-SP		

Type	Order No.	Page
UR20-BM-SP	1350930000	T.42
UR20-BM-SP	1350930000	T.43
UR20-BM-SP	1350930000	T.44
UR20-BM-SP	1350930000	T.45
UR20-BM-SP	1350930000	T.46
UR20-BM-SP	1350930000	T.47
UR20-BM-SP	1350930000	T.48
UR20-BM-SP	1350930000	T.49
UR20-BM-SP	1350930000	T.50
UR20-BM-SP	1350930000	T.51
UR20-BM-SP	1350930000	T.52
UR20-BM-SP	1350930000	T.53
UR20-BM-SP	1350930000	T.54
UR20-BM-SP	1350930000	T.55
UR20-BM-SP	1350930000	T.56
UR20-BM-SP	1350930000	T.57
UR20-BM-SP	1350930000	T.58
UR20-BM-SP	1350930000	T.59
UR20-BM-SP	1350930000	T.60
UR20-BM-SP	1350930000	T.61
UR20-BM-SP	1350930000	T.62
UR20-BM-SP	1350930000	T.63
UR20-BM-SP	1350930000	T.64
UR20-BM-SP	1350930000	T.65
UR20-BM-SP	1350930000	T.66
UR20-BM-SP	1350930000	T.67
UR20-BM-SP	1350930000	T.73
UR20-BM-SP	1350930000	T.74
UR20-EBK-ACC	1346610000	T.6
UR20-EBK-ACC	1346610000	T.7
UR20-EBK-ACC	1346610000	T.8
UR20-EBK-ACC	1346610000	T.9
UR20-EBK-ACC	1346610000	T.10
UR20-EBK-ACC	1346610000	T.11
UR20-EBK-ACC	1346610000	T.12
UR20-EBK-ACC	1346610000	T.13
UR20-EBK-ACC	1346610000	T.14
UR20-EBK-ACC	1346610000	T.15
UR20-EBK-ACC	1346610000	T.16
UR20-EBK-ACC	1346610000	T.17
UR20-EBK-ACC	1346610000	T.18
UR20-EBK-ACC	1346610000	T.19
UR20-EBK-ACC	1346610000	T.20
UR20-EBK-ACC	1346610000	T.21
UR20-EBK-ACC	1346610000	T.22
UR20-EBK-ACC	1346610000	T.23
UR20-EBK-ACC	1346610000	T.24
UR20-EBK-ACC	1346610000	T.25
UR20-EBK-ACC	1346610000	T.26
UR20-EBK-ACC	1346610000	T.27
UR20-EBK-ACC	1346610000	T.28
UR20-EBK-ACC	1346610000	T.29
UR20-EBK-ACC	1346610000	T.30
UR20-EBK-ACC	1346610000	T.31
UR20-EBK-ACC	1346610000	T.32
UR20-EBK-ACC	1346610000	T.33
UR20-EBK-ACC	1346610000	T.34
UR20-EBK-ACC	1346610000	T.35
UR20-EBK-ACC	1346610000	T.36
UR20-EBK-ACC	1346610000	T.37
UR20-EBK-ACC	1346610000	T.38
UR20-EBK-ACC	1346610000	T.39
UR20-EBK-ACC	1346610000	T.40
UR20-EBK-ACC	1346610000	T.41
UR20-EBK-ACC	1346610000	T.42
UR20-EBK-ACC	1346610000	T.43
UR20-EBK-ACC	1346610000	T.44
UR20-EBK-ACC	1346610000	T.45
UR20-EBK-ACC	1346610000	T.46
UR20-EBK-ACC	1346610000	T.47
UR20-EBK-ACC	1346610000	T.48
UR20-EBK-ACC	1346610000	T.49
UR20-EBK-ACC	1346610000	T.50
UR20-EBK-ACC	1346610000	T.51
UR20-EBK-ACC	1346610000	T.52
UR20-EBK-ACC	1346610000	T.53
UR20-EBK-ACC	1346610000	T.54
UR20-EBK-ACC	1346610000	T.55
UR20-EBK-ACC	1346610000	T.56
UR20-EBK-ACC	1346610000	T.57
UR20-EBK-ACC	1346610000	T.58
UR20-EBK-ACC	1346610000	T.59
UR20-EBK-ACC	1346610000	T.60
UR20-EBK-ACC	1346610000	T.61
UR20-EBK-ACC	1346610000	T.62
UR20-EBK-ACC	1346610000	T.63
UR20-EBK-ACC	1346610000	T.64
UR20-EBK-ACC	1346610000	T.65
UR20-EBK-ACC	1346610000	T.66
UR20-EBK-ACC	1346610000	T.67
UR20-EBK-ACC	1346610000	T.68
UR20-EBK-ACC	1346610000	T.69
UR20-EBK-ACC	1346610000	T.70
UR20-EBK-ACC	1346610000	T.71
UR20-EBK-ACC	1346610000	T.72
UR20-EBK-ACC	1346610000	T.73
UR20-EBK-ACC	1346610000	T.74
UR20-EM-1315170000-SP	1346640000	T.13

Type	Order No.	Page
UR20-EM-1315190000-SP	1346670000	T.17
UR20-EM-1315200000-SP	1346680000	T.18
UR20-EM-1315210000-SP	1346690000	T.19
UR20-EM-1315220000-SP	1346700000	T.27
UR20-EM-1315230000-SP	1346710000	T.28
UR20-EM-1315240000-SP	1346720000	T.30
UR20-EM-1315250000-SP	1346730000	T.32
UR20-EM-1315270000-SP	1346740000	T.33
UR20-EM-1315350000-SP	1346870000	T.22
UR20-EM-1315370000-SP	1346880000	T.23
UR20-EM-1315390000-SP	1346920000	T.24
UR20-EM-1315400000-SP	1346930000	T.25
UR20-EM-1315410000-SP	1346940000	T.34
UR20-EM-1315420000-SP	1346950000	T.35
UR20-EM-1315430000-SP	1346970000	T.36
UR20-EM-1315440000-SP	1346980000	T.37
UR20-EM-1315450000-SP	1346990000	T.38
UR20-EM-1315540000-SP	1347120000	T.39
UR20-EM-1315550000-SP	1347130000	T.40
UR20-EM-1315570000-SP	1347140000	T.57
UR20-EM-1315580000-SP	1347170000	T.59
UR20-EM-1315590000-SP	1347150000	T.58
UR20-EM-1315600000-SP	1347180000	T.41
UR20-EM-1315610000-SP	1347190000	T.42
UR20-EM-1315620000-SP	1347200000	T.43
UR20-EM-1315650000-SP	1347240000	T.48
UR20-EM-1315670000-SP	1347250000	T.50
UR20-EM-1315680000-SP	1347270000	T.53
UR20-EM-1315690000-SP	1347280000	T.44
UR20-EM-1315700000-SP	1347290000	T.52
UR20-EM-1315710000-SP	1435740000	T.51
UR20-EM-1315720000-SP	1347320000	T.49
UR20-EM-1315730000-SP	1347330000	T.54
UR20-EM-1315750000-SP	1347350000	T.62
UR20-EM-1315770000-SP	1347370000	T.74
UR20-EM-1334710000-SP	1347380000	T.71
UR20-EM-1334740000-SP	1347420000	T.72
UR20-EM-1334770000-SP	1347450000	T.73
UR20-EM-1334780000-SP	1347470000	T.73
UR20-EM-1334790000-SP	1347480000	T.73
UR20-EM-1334800000-SP	1347490000	T.73
UR20-EM-1334810000-SP	1347500000	T.73
UR20-EM-1335030000-SP	1347520000	T.68
UR20-EM-1335040000-SP	1347530000	T.70
UR20-EM-1335050000-SP	1347540000	T.69
UR20-EM-1335060000-SP	1347550000	T.66
UR20-EM-1335070000-SP	1347570000	T.67
UR20-EM-1394390000-SP	1434230000	T.47
UR20-EM-1394400000-SP	1346650000	T.15
UR20-EM-1394410000-SP	1434220000	T.16
UR20-EM-1394420000-SP	1480950000	T.29
UR20-EM-1460140000-SP	1463690000	T.20
UR20-EM-1460150000-SP	1463680000	T.21
UR20-EM-1506910000-SP	1515430000	T.46
UR20-EM-1506920000-SP	1515420000	T.45
UR20-EM-1506930000-SP	1515480000	T.56
UR20-EM-1508080000-SP	1515440000	T.60
UR20-EM-1508090000-SP	1515490000	T.61
UR20-EM-1509830000-SP	1515450000	T.31
UR20-EM-1510690000-SP	1515470000	T.55
UR20-EM-1529780000-SP	1993030000	T.64
UR20-EM-1529800000-SP	1993040000	T.65
UR20-EM-1550070000-SP	1568880000	T.26
UR20-EM-2007430000-SP	2425350000	T.63
UR20-EM-2009360000-SP	2011260000	T.14
UR20-ES	1315770000	T.74
UR20-FBC-CAN	1334990000	T.12
UR20-FBC-DN	1334900000	T.11
UR20-FBC-CC	1334910000	T.8
UR20-FBC-EIP	1334920000	T.10
UR20-FBC-MOD-TCP	1334930000	T.9
UR20-FBC-PB-DP	1334870000	T.6
UR20-FBC-PN-RT	1334890000	T.7
UR20-PFI	1334710000	T.71
UR20-PFO	1334740000	T.72
UR20-PF-O-TDI-SIL	1335030000	T.68
UR20-PF-O-2DI-DELAY-SIL	1335040000	T.70
UR20-PF-O-2DI-SIL	1335050000	T.69
UR20-PG0.35	1469340000	T.17
UR20-PG0.35	1469340000	T.31
UR20-PG0.35	1469340000	T.45
UR20-PG0.35	1469340000	T.46
UR20-PG0.35	1469340000	T.48
UR20-PG0.35	1469340000	T.49
UR20-PG0.35	1469340000	T.55
UR20-PG0.35	1469340000	T.56
UR20-PK-1315170000-SP	1346440000	T.13
UR20-PK-1315180000-SP	1346430000	T.15
UR20-PK-1315190000-SP	1518800000	T.17
UR20-PK-1315200000-SP	1346400000	T.18
UR20-PK-1315210000-SP	1346590000	T.19
UR20-PK-1315220000-SP	1483960000	T.27
UR20-PK-1315230000-SP	1483970000	T.28
UR20-PK-1315240000-SP	1346410000	T.30
UR20-PK-1315250000-SP	1483990000	T.32
UR20-PK-1315270000-SP	1483940000	T.33
UR20-PK-1315350000-SP	1569770000	T.22
UR20-PK-1315370000-SP	1569780000	T.23
UR20-PK-1315390000-SP	1569790000	T.24

Type	Order No.	Page
UR20-PK-1315400000-SP	1559800000	T.25
UR20-PK-1315410000-SP	1559840000	T.34
UR20-PK-1315420000-SP	1559850000	T.35
UR20-PK-1315430000-SP	1984770000	T.36
UR20-PK-1315440000-SP	2000520000	T.37
UR20-PK-1315450000-SP	2000540000	T.38
UR20-PK-1315540000-SP	1484000000	T.39
UR20-PK-1315550000-SP	1346500000	T.40
UR20-PK-1315570000-SP	1346520000	T.57
UR20-PK-1315580000-SP	1346530000	T.59
UR20-PK-1315590000-SP	1346540000	T.58
UR20-PK-1315600000-SP	1484010000	T.41
UR20-PK-1315610000-SP	1346550000	T.42
UR20-PK-1315620000-SP	1484020000	T.43
UR20-PK-1315650000-SP	1559740000	T.48
UR20-PK-1315670000-SP	1483950000	T.50
UR20-PK-1315680000-SP	1484070000	T.53
UR20-PK-1315690000-SP	1518870000	T.44
UR20-PK-1315700000-SP	1484040000	T.52
UR20-PK-1315710000-SP	1484050000	T.51
UR20-PK-1315720000-SP	1559750000	T.49
UR20-PK-1315730000-SP	1518880000	T.54
UR20-PK-1315750000-SP	2425150000	T.62
UR20-PK-1315770000-SP	1346510000	T.74
UR20-PK-1334710000-SP	1346460000	T.71
UR20-PK-1334740000-SP	1346480000	T.72
UR20-PK-1334770000-SP	1346450000	T.73
UR20-PK-1334780000-SP	1484080000	T.73
UR20-PK-1334790000-SP	1346490000	T.73
UR20-PK-1334800000-SP	1346470000	T.73
UR20-PK-1334810000-SP	1484090000	T.73
UR20-PK-1334880000-SP	1484120000	T.7
UR20-PK-1334890000-SP	2003530000	T.12
UR20-PK-1334900000-SP	2003540000	T.11
UR20-PK-1334910000-SP	1484440000	T.8
UR20-PK-1334920000-SP	1541290000	T.10
UR20-PK-1334930000-SP	1484130000	T.9
UR20-PK-1335030000-SP	1346560000	T.68
UR20-PK-1335040000-SP	1484100000	T.70
UR20-PK-1335050000-SP	1346570000	T.69
UR20-PK-1335060000-SP	1992940000	T.66
UR20-PK-1335070000-SP	1992950000	T.67
UR20-PK-1394390000-SP	1484030000	T.47
UR20-PK-1394400000-SP	1411430000	T.16
UR20-PK-1394420000-SP	1483980000	T.29
UR20-PK-1460140000-SP	1484110000	T.20
UR20-PK-1460150000-SP	1484430000	T.21
UR20-PK-1506910000-SP	1518820000	T.46
UR20-PK-1506920000-SP	1518830000	T.45
UR20-PK-1506930000-SP	1531810000	T.56
UR20-PK-1508080000-SP	1518840000	T.60
UR20-PK-1508090000-SP	1559870000	T.61
UR20-PK-1509830000-SP	1559720000	T.31
UR20-PK-1510690000-SP	1531830000	T.55
UR20-PK-1529780000-SP	1992960000	T.64
UR20-PK-1529800000-SP	1992970000	T.65
UR20-PK-1550070000-SP	1559820000	T.26
UR20-PK-2007430000-SP	2425160000	T.63
UR20-PK-2009360000-SP	2011240000	T.14
UR20-SM-ACC	1339920000	T.7
UR20-SM-ACC	1339920000	T.6
UR20-SM-ACC	1339920000	T.8
UR20-SM-ACC	1339920000	T.9
UR20-SM-ACC	1339920000	T.10
UR20-SM-ACC	1339920000	T.11
UR20-SM-ACC	13399	

Type	Order No.	Page
UR20-SM-ACC	1339920000	T.46
UR20-SM-ACC	1339920000	T.47
UR20-SM-ACC	1339920000	T.48
UR20-SM-ACC	1339920000	T.49
UR20-SM-ACC	1339920000	T.50
UR20-SM-ACC	1339920000	T.51
UR20-SM-ACC	1339920000	T.52
UR20-SM-ACC	1339920000	T.53
UR20-SM-ACC	1339920000	T.54
UR20-SM-ACC	1339920000	T.55
UR20-SM-ACC	1339920000	T.56
UR20-SM-ACC	1339920000	T.57
UR20-SM-ACC	1339920000	T.58
UR20-SM-ACC	1339920000	T.59
UR20-SM-ACC	1339920000	T.60
UR20-SM-ACC	1339920000	T.61
UR20-SM-ACC	1339920000	T.62
UR20-SM-ACC	1339920000	T.63
UR20-SM-ACC	1339920000	T.64
UR20-SM-ACC	1339920000	T.65
UR20-SM-ACC	1339920000	T.66
UR20-SM-ACC	1339920000	T.67
UR20-SM-ACC	1339920000	T.68
UR20-SM-ACC	1339920000	T.69
UR20-SM-ACC	1339920000	T.70
UR20-SM-ACC	1339920000	T.71
UR20-SM-ACC	1339920000	T.72
UR20-SM-ACC	1339920000	T.73
UR20-SM-ACC	1339920000	T.74

V

VFSKHV/1,5-2,5/485	1491920000	T.142
VFSKHV/1,5-2,5/638	1491940000	T.145
VG M12 EXE 4-6.5 CR 7J	2017200000	T.170
VG M12 EXE 4-6.5 SI 7J	2017370000	T.171
VG M12 EXI 4-6.5 CR 7J	2017670000	T.170
VG M12 EXI 4-6.5 SI 7J	2017810000	T.171
VG M16 EXE 5-8 CR 7J	2017210000	T.170
VG M16 EXE 5-8 SI 7J	2017380000	T.171
VG M16 EXE 6-10 CR 7J	2017220000	T.170
VG M16 EXE 6-10 SI 7J	2017390000	T.171
VG M16 EXI 5-8 CR 7J	2017680000	T.170
VG M16 EXI 5-8 SI 7J	2017820000	T.171
VG M16 EXI 6-10 CR 7J	2017690000	T.170
VG M16 EXI 6-10 SI 7J	2017830000	T.171
VG M20 EXE 11-14 CR 7J	2017250000	T.170
VG M20 EXE 11-14 SI 7J	2017510000	T.171
VG M20 EXE 7-12 CR 7J	2017230000	T.170
VG M20 EXE 7-12 SI 7J	2017430000	T.171
VG M20 EXE 7-13 CR 7J	2017240000	T.170
VG M20 EXE 7-13 SI 7J	2017500000	T.171
VG M20 EXI 11-14 CR 7J	2017720000	T.170
VG M20 EXI 11-14 SI 7J	2017870000	T.171
VG M20 EXI 7-12 CR 7J	2017700000	T.170
VG M20 EXI 7-12 SI 7J	2017840000	T.171
VG M20 EXI 7-13 CR 7J	2017710000	T.170
VG M20 EXI 7-13 SI 7J	2017850000	T.171
VG M25 EXE 12-17 CR 7J	2017260000	T.170
VG M25 EXE 12-17 SI 7J	2017520000	T.171
VG M25 EXE 14-18 CR 7J	2017280000	T.170
VG M25 EXE 14-18 SI 7J	2017550000	T.171
VG M25 EXI 12-17 CR 7J	2017730000	T.170
VG M25 EXI 12-17 SI 7J	2017880000	T.171
VG M25 EXI 14-18 CR 7J	2017740000	T.170
VG M25 EXI 14-18 SI 7J	2017890000	T.171
VG M32 EXE 16-21 CR 7J	2017290000	T.170
VG M32 EXE 16-21 SI 7J	2017560000	T.171
VG M32 EXE 19-25 CR 7J	2017300000	T.170
VG M32 EXE 19-25 SI 7J	2017590000	T.171
VG M32 EXI 16-21 CR 7J	2017750000	T.170
VG M32 EXI 16-21 SI 7J	2017900000	T.171
VG M32 EXI 19-25 CR 7J	2017760000	T.170
VG M32 EXI 19-25 SI 7J	2017910000	T.171
VG M40 EXE 20-28 CR 7J	2017310000	T.170
VG M40 EXE 20-28 SI 7J	2017610000	T.171
VG M40 EXE 23-32 CR 7J	2017320000	T.170
VG M40 EXE 23-32 SI 7J	2017630000	T.171
VG M40 EXI 20-28 CR 7J	2017770000	T.170
VG M40 EXI 20-28 SI 7J	2017920000	T.171
VG M40 EXI 23-32 CR 7J	2017780000	T.170
VG M40 EXI 23-32 SI 7J	2017930000	T.171
VG M50 EXE 31-38 CR 7J	2017340000	T.170
VG M50 EXE 31-38 SI 7J	2017650000	T.171
VG M50 EXI 31-38 CR 7J	2017790000	T.170
VG M50 EXI 31-38 SI 7J	2017940000	T.171
VG M63 EXE 35-44 CR 7J	2017350000	T.170
VG M63 EXE 35-44 SI 7J	2017660000	T.171
VG M63 EXI 35-44 CR 7J	2017800000	T.170
VG M63 EXI 35-44 SI 7J	2017950000	T.171
VSSO WM4	1254870000	T.168

W

WFSKHV/1,5-2,5	1491970000	T.145
WPD 100 2X25/6X10 BL	1561920000	T.110
WPD 100 2X25/6X10 GN	1561930000	T.110
WPD 100 2X25/6X10 GY	1561910000	T.110
WPD 101 2X25/2X16 BK	1561100000	T.106

Type	Order No.	Page
WPD 101 2X25/2X16 BL	1560670000	T.106
WPD 101 2X25/2X16 BN	1561120000	T.106
WPD 101 2X25/2X16 GN	1560650000	T.106
WPD 101 2X25/2X16 GY	1560730000	T.106
WPD 102 2X35/2X25 BK	1561630000	T.108
WPD 102 2X35/2X25 BL	1561640000	T.108
WPD 102 2X35/2X25 BN	1561650000	T.108
WPD 102 2X35/2X25 GN	1561670000	T.108
WPD 102 2X35/2X25 GY	1561680000	T.108
WPD 103 2X70/2X50 BK	1561830000	T.109
WPD 103 2X70/2X50 BL	1561780000	T.109
WPD 103 2X70/2X50 BN	1561820000	T.109
WPD 103 2X70/2X50 GN	1561790000	T.109
WPD 103 2X70/2X50 GY	1561770000	T.109
WPD 104 1x25+1x16/2x16+3x10 GY	1562000000	T.110
WPD 105 1x35+1x16/2x25+3x16 GY	1562170000	T.112
WPD 106 1X70/2X25+3X16 GY	1562210000	T.114
WPD 107 1X95/2X35+8X25 GY	1562220000	T.114
WPD 108 1X120/2X35+3X25+4X16 GY	1562100000	T.115
WPD 109 1X185/2X35+3X25+4X16 GY	1562090000	T.115
WPD 202 4x35/4x25 BK	1561690000	T.108
WPD 202 4x35/4x25 BL	1561700000	T.108
WPD 202 4x35/4x25 BN	1561720000	T.108
WPD 202 4x35/4x25 GN	1561620000	T.108
WPD 202 4x35/4x25 GY	1561730000	T.108
WPD 204 2X25/4X16+6X10 2XGY	1562150000	T.111
WPD 205 2X35/4X25+6X16 2XGY	1562180000	T.112
WPD 301 2X25/2X16 3XGY	1561130000	T.106
WPD 302 2X35/2X25 3XGY	1561740000	T.109
WPD 304 3X25/6X16+9X10 3XGY	1562160000	T.111
WPD 305 3X35/6X25+9X16 3XGY	1562190000	T.113
WPD 401 2X25/2X16 3XGY/1XBL	1562130000	T.107
WPD 401 2X25/2X16 4XGY	1561800000	T.107
WPD 501 2X25/2X16 1XGN/3XGY/1XBL	1562140000	T.107
WPD 501 2X25/2X16 5XGY	1561750000	T.107
WQB WPD X04/2	1561980000	T.110
WQB WPD X04/2	1561980000	T.111
WQB WPD X04/2	1561980000	T.111
WQB WPD X04/3	1561990000	T.110
WQB WPD X04/3	1561990000	T.111
WQB WPD X04/3	1561990000	T.111
WQB WPD X05/2	1561960000	T.112
WQB WPD X05/2	1561960000	T.112
WQB WPD X05/2	1561960000	T.113
WQB WPD X05/3	1561970000	T.112
WQB WPD X05/3	1561970000	T.112
WQB WPD X05/3	1561970000	T.112
WQB WPD X05/3	1561970000	T.113

Order No.	Type	Page
-----------	------	------

0220000000

0224261001	RS F20 LP2N 5/20	T.50
------------	------------------	------

0310000000

0310000000	PS 2.0 MC	T.172
------------	-----------	-------

1010000000

1019570000	IE-BI-USB-A	T.129
1019570000	IE-BI-USB-A	T.129
1019570000	IE-BI-USB-A	T.130
1019570000	IE-BI-USB-A	T.131
1019570000	IE-BI-USB-A	T.131
1019570000	IE-BI-USB-A	T.132
1019570000	IE-BI-USB-A	T.133
1019570000	IE-BI-USB-A	T.135

1050000000

1058310000	IE-BP-V14P	T.124
1058310000	IE-BP-V14P	T.125

1060000000

1068910000	IE-PS-VAPM-24V	T.118
1068910000	IE-PS-VAPM-24V	T.118
1068930000	IE-BP-VAPP	T.124
1068970000	IE-BIC-HYB-P-0,75-300	T.125

1070000000

1073340000	SM 27/18 K MC NE GR	T.128
1073340000	SM 27/18 K MC NE GR	T.128

1090000000

1096150000	IE-BIC-HYB-P-0,5-300	T.125
------------	----------------------	-------

1110000000

1118040000	PWZ RJ45	T.120
1118040000	PWZ RJ45	T.120
1118040000	PWZ RJ45	T.121
1118040000	PWZ RJ45	T.121
1118040000	PWZ RJ45	T.122
1118040000	PWZ RJ45	T.122
1118040000	PWZ RJ45	T.122
1118040000	PWZ RJ45	T.124
1119580000	HTF HYB	T.125

1130000000

1131380000	IE-BI-USB-AB	T.129
1131380000	IE-BI-USB-AB	T.129
1131380000	IE-BI-USB-AB	T.130
1131380000	IE-BI-USB-AB	T.131
1131380000	IE-BI-USB-AB	T.131
1131380000	IE-BI-USB-AB	T.132
1131380000	IE-BI-USB-AB	T.133
1131380000	IE-BI-USB-AB	T.135
1135160000	IE-BIC-HYB-P-0,2-300	T.125

1190000000

1190490000	multi-stripax PV	T.168
------------	------------------	-------

1200000000

1203780000	PVC-TV1-BK-4-1000	T.168
------------	-------------------	-------

1220000000

1222870000	CTF PV WM4	T.168
------------	------------	-------

1230000000

1238120000	TRANSLINIC 8I+	T.104
1238130000	TRANSLINIC 14I+	T.104

1250000000

1254660000	SCREWTY SW17	T.168
1254870000	VSSO WM4	T.168

1290000000

1290830000	SCREWTY SW15	T.168
------------	--------------	-------

1310000000

1315170000	UR20-4DI-P	T.13
1315180000	UR20-8DI-P-2W	T.15
1315190000	UR20-8DI-P-3W-HD	T.17
1315200000	UR20-16DI-P	T.18
1315210000	UR20-16DI-P-PLC-INT	T.19
1315220000	UR20-4DO-P	T.27
1315230000	UR20-4DO-P-2A	T.28
1315240000	UR20-8DO-P	T.30

Order No.	Type	Page
-----------	------	------

1315250000	UR20-16DO-P	T.32
1315270000	UR20-16DO-P-PLC-INT	T.33
1315350000	UR20-4DI-N	T.22
1315370000	UR20-8DI-N-3W	T.23
1315390000	UR20-16DI-N	T.24
1315400000	UR20-16DI-N-PLC-INT	T.25
1315410000	UR20-4DO-N	T.34
1315420000	UR20-4DO-N-2A	T.35
1315430000	UR20-8DO-N	T.36
1315440000	UR20-16DO-N	T.37
1315450000	UR20-16DO-N-PLC-INT	T.38
1315460000	UR20-4RO-SSR-255	T.39
1315550000	UR20-4RO-CD-255	T.40
1315570000	UR20-1CNT-100-100	T.57
1315580000	UR20-1CNT-500	T.59
1315590000	UR20-2CNT-100	T.58
1315600000	UR20-2PWM-PN-0.5A	T.41
1315610000	UR20-2PWM-PN-2A	T.42
1315620000	UR20-4AI-UI-16	T.43
1315650000	UR20-8AI-16-HD	T.48
1315670000	UR20-8AI-PLC-INT	T.50
1315680000	UR20-4AO-UI-16	T.53
1315690000	UR20-4AI-UI-16-DIAG	T.44
1315700000	UR20-4AI-RTD-DIAG	T.52
1315710000	UR20-4AI-TC-DIAG	T.51
1315720000	UR20-8AI-16-DIAG-HD	T.49
1315730000	UR20-4AO-UI-16-DIAG	T.54
1315750000	UR20-1COM-232-485-422	T.62
1315770000	UR20-ES	T.74
1318220000	ACT20X-HUI-SAO-LP-S	T.82

1320000000

1323700000	PM 2.7/2.6 MC SDR	T.6
1323700000	PM 2.7/2.6 MC SDR	T.7
1323700000	PM 2.7/2.6 MC SDR	T.8
1323700000	PM 2.7/2.6 MC SDR	T.9
1323700000	PM 2.7/2.6 MC SDR	T.10
1323700000	PM 2.7/2.6 MC SDR	T.11
1323700000	PM 2.7/2.6 MC SDR	T.12
1323700000	PM 2.7/2.6 MC SDR	T.13
1323700000	PM 2.7/2.6 MC SDR	T.14
1323700000	PM 2.7/2.6 MC SDR	T.15
1323700000	PM 2.7/2.6 MC SDR	T.16
1323700000	PM 2.7/2.6 MC SDR	T.17
1323700000	PM 2.7/2.6 MC SDR	T.18
1323700000	PM 2.7/2.6 MC SDR	T.19
1323700000	PM 2.7/2.6 MC SDR	T.20
1323700000	PM 2.7/2.6 MC SDR	T.21
1323700000	PM 2.7/2.6 MC SDR	T.22
1323700000	PM 2.7/2.6 MC SDR	T.23
1323700000	PM 2.7/2.6 MC SDR	T.24
1323700000	PM 2.7/2.6 MC SDR	T.25
1323700000	PM 2.7/2.6 MC SDR	T.26
1323700000	PM 2.7/2.6 MC SDR	T.27
1323700000	PM 2.7/2.6 MC SDR	T.28
1323700000	PM 2.7/2.6 MC SDR	T.29
1323700000	PM 2.7/2.6 MC SDR	T.30
1323700000	PM 2.7/2.6 MC SDR	T.32
1323700000	PM 2.7/2.6 MC SDR	T.33
1323700000	PM 2.7/2.6 MC SDR	T.34
1323700000	PM 2.7/2.6 MC SDR	T.35
1323700000	PM 2.7/2.6 MC SDR	T.36
1323700000	PM 2.7/2.6 MC SDR	T.37
1323700000	PM 2.7/2.6 MC SDR	T.38
1323700000	PM 2.7/2.6 MC SDR	T.39
1323700000	PM 2.7/2.6 MC SDR	T.40
1323700000	PM 2.7/2.6 MC SDR	T.41
1323700000	PM 2.7/2.6 MC SDR	T.42
1323700000	PM 2.7/2.6 MC SDR	T.43
1323700000	PM 2.7/2.6 MC SDR	T.44
1323700000	PM 2.7/2.6 MC SDR	T.47
1323700000	PM 2.7/2.6 MC SDR	T.50
1323700000	PM 2.7/2.6 MC SDR	T.51
1323700000	PM 2.7/2.6 MC SDR	T.52
1323700000	PM 2.7/2.6 MC SDR	T.53
1323700000	PM 2.7/2.6 MC SDR	T.54
1323700000	PM 2.7/2.6 MC SDR	T.57
1323700000	PM 2.7/2.6 MC SDR	T.58
1323700000	PM 2.7/2.6 MC SDR	T.59
1323700000	PM 2.7/2.6 MC SDR	T.60
1323700000	PM 2.7/2.6 MC SDR	T.61
1323700000	PM 2.7/2.6 MC SDR	T.62
1323700000	PM 2.7/2.6 MC SDR	T.63
1323700000	PM 2.7/2.6 MC SDR	T.64
1323700000	PM 2.7/2.6 MC SDR	T.65
1323700000	PM 2.7/2.6 MC SDR	T.66
1323700000	PM 2.7/2.6 MC SDR	T.67
1323700000	PM 2.7/2.6 MC SDR	T.68
1323700000	PM 2.7/2.6 MC SDR	T.69
1323700000	PM 2.7/2.6 MC SDR	T.70
1323700000	PM 2.7/2.6 MC SDR	T.71
1323700000	PM 2.7/2.6 MC SDR	T.72
1323700000	PM 2.7/2.6 MC SDR	T.73
1323700000	PM 2.7/2.6 MC SDR	T.74
1323710000	PM 2.7/2.6 MC NE WS	T.6
1323710000	PM 2.7/2.6 MC NE WS	T.7
1323710000	PM 2.7/2.6 MC NE WS	T.8
1323710000	PM 2.7/2.6 MC NE WS	T.7
1323710000	PM 2.7/2.6 MC NE WS	T.9
1323710000	PM 2.7/2.6 MC NE WS	T.10

Order No.	Type	Page
-----------	------	------

1323710000	PM 2.7/2.6 MC NE WS	T.11
1323710000	PM 2.7/2.6 MC NE WS	T.12
1323710000	PM 2.7/2.6 MC NE WS	T.13
1323710000	PM 2.7/2.6 MC NE WS	T.14
1323710000	PM 2.7/2.6 MC NE WS	T.15
1323710000	PM 2.7/2.6 MC NE WS	T.16
1323710000	PM 2.7/2.6 MC NE WS	T.18
1323710000	PM 2.7/2.6 MC NE WS	T.19
1323710000	PM 2.7/2.6 MC NE WS	T.20
1323710000	PM 2.7/2.6 MC NE WS	T.21
1323710000	PM 2.7/2.6 MC NE WS	T.22
1323710000	PM 2.7/2.6 MC NE WS	T.23
1323710000	PM 2.7/2.6 MC NE WS	T.24
1323710000	PM 2.7/2.6 MC NE WS	T.25
1323710000	PM 2.7/2.6 MC NE WS	T.26
1323710000	PM 2.7/2.6 MC NE WS	T.27
1323710000	PM 2.7/2.6 MC NE WS	T.28
1323710000	PM 2.7/2.6 MC NE WS	T.29
1323710000	PM 2.7/2.6 MC NE WS	T.30
1323710000	PM 2.7/2.6 MC NE WS	T.32
1323710000	PM 2.7/2.6 MC NE WS	T.33
1323710000	PM 2.7/2.6 MC NE WS	T.34
1323710000	PM 2.7/2.6 MC NE WS	T.35
1323710000	PM 2.7/2.6 MC NE WS	T.36
1323710000	PM 2.7/2.6 MC NE WS	T.37
1323710000	PM 2.7/2.6 MC NE WS	T.38
1323710000	PM 2.7/2.6 MC NE WS	T.39
1323710000	PM 2.7/2.6 MC NE WS	T.40
1323710000	PM 2.7/2.6 MC NE WS	T.41
1323710000	PM 2.7/2.6 MC NE WS	T.42
1323710000	PM 2.7/2.6 MC NE WS	T.43
1323710000	PM 2.7/2.6 MC NE WS	T.44
1323710000	PM 2.7/2.6 MC NE WS	T.47
1323710000	PM 2.7/2.6 MC NE WS	T.50
1323710000	PM 2.7/2.6 MC NE WS	T.51
1323710000	PM 2.7/2.6 MC NE WS	T.52
1323710000	PM 2.7/2.6 MC NE WS	T.53
1323710000	PM 2.7/2.6 MC NE WS	T.54
1323710000	PM 2.7/2.6 MC NE WS	T.56
1323710000	PM 2.7/2.6 MC NE WS	T.57
1323710000	PM 2.7/2.6 MC NE WS	T.58
1323710000	PM 2.7/2.6 MC NE WS	T.59
1323710000	PM 2.7/2.6 MC NE WS	T.60
1323710000	PM 2.7/2.6 MC NE WS	T.61
1323710000	PM 2.7/2.6 MC NE WS	T.62
1323710000	PM 2.7/2.6 MC NE WS	T.63
1323710000	PM 2.7/2.6 MC NE WS	T.64
1323710000	PM 2.7/2.6 MC NE WS	T.65
1323710000	PM 2.7/2.6 MC NE WS	T.66
1323710000	PM 2.7/2.6 MC NE WS	T.67
1323710000	PM 2.7/2.6 MC NE WS	T.68
1323710000	PM 2.7/2.6 MC NE WS	T.69
1323710000	PM 2.7/2.6 MC NE WS	T.70
1323710000	PM 2.7/2.6 MC NE WS	T.71
1323710000	PM 2.7/2.6 MC NE WS	T.72
1323710000	PM 2.7/2.6 MC NE WS	T.73
1323710000	PM 2.7/2.6 MC NE WS	T.74

1330000000

1334710000	UR20-PFJ	T.71
1334740000	UR20-PF-O	T.72
1334770000	UR20-16AUX-I	T.7

Order No.	Type	Page
1429910000	THM UR20 GE	T.52
1429910000	THM UR20 GE	T.53
1429910000	THM UR20 GE	T.54
1429910000	THM UR20 GE	T.55
1429910000	THM UR20 GE	T.56
1429910000	THM UR20 GE	T.57
1429910000	THM UR20 GE	T.58
1429910000	THM UR20 GE	T.59
1429910000	THM UR20 GE	T.60
1429910000	THM UR20 GE	T.61
1429910000	THM UR20 GE	T.62
1429910000	THM UR20 GE	T.63
1429910000	THM UR20 GE	T.64
1429910000	THM UR20 GE	T.65
1429910000	THM UR20 GE	T.66
1429910000	THM UR20 GE	T.67
1429910000	THM UR20 GE	T.68
1429910000	THM UR20 GE	T.69
1429910000	THM UR20 GE	T.70
1429910000	THM UR20 GE	T.71
1429910000	THM UR20 GE	T.72
1429910000	THM UR20 GE	T.73
1429910000	THM UR20 GE	T.74

1430000000

1434220000	UR20-EM-1394400000-SP	T.16
1434230000	UR20-EM-1394390000-SP	T.47
1435740000	UR20-EM-1315710000-SP	T.51

1440000000

1445070000	PZ 10 HEX	T.180
1445080000	PZ 10 SOR	T.180

1450000000

1450510000	IE-FC-SFP-KNOB	T.128
1450520000	IE-FC-SFP-KEY	T.128
1450530000	IE-FC-SFM-KNOB	T.128
1450540000	IE-FC-SFM-KEY	T.128
1450550000	IE-FC-SP-PWB/G/2ST	T.129
1450570000	IE-FC-SP-PWS/4ST	T.133
1450580000	IE-FC-SP-1ST/1D9/1D25	T.130
1450590000	IE-FC-SP-2ST/2D9	T.132
1450600000	IE-FC-SP-PWS/2ST/1D9	T.129
1450610000	IE-FC-SP-PWS/2D9	T.133
1450620000	IE-FC-SP-PWU/2ST	T.131
1450630000	IE-FC-IP-PWB/2ST	T.129
1450640000	IE-FC-IP-PWS/4ST	T.133
1450650000	IE-FC-IP-1ST/1D9/1D25	T.130
1450670000	IE-FC-IP-2ST/2D9	T.132
1450680000	IE-FC-IP-PWS/2D9	T.133
1450690000	IE-FC-IP-PWS/2ST/1D9	T.129
1450700000	IE-FC-IP-PWU/2ST	T.131
1450710000	IE-FC-IP-BP	T.130
1450730000	IE-FC-IP-PWB-DE	T.129
1450730000	IE-FC-IP-PWB-DE	T.138
1450740000	IE-FC-IP-PWS-EU	T.129
1450740000	IE-FC-IP-PWS-EU	T.133
1450740000	IE-FC-IP-PWS-EU	T.133
1450740000	IE-FC-IP-PWS-EU	T.141
1450750000	IE-FC-IP-PWB-FR	T.129
1450750000	IE-FC-IP-PWB-FR	T.139
1450770000	IE-FC-IP-PWB-GB	T.129
1450770000	IE-FC-IP-PWB-GB	T.140
1450780000	IE-FC-IP-PWB-CH	T.129
1450780000	IE-FC-IP-PWB-CH	T.139
1450790000	IE-FC-IP-PWB-CN	T.129
1450790000	IE-FC-IP-PWB-CN	T.142
1450800000	IE-FC-IP-PWS-US	T.131
1450800000	IE-FC-IP-PWS-US	T.131
1450800000	IE-FC-IP-PWS-US	T.142
1450810000	IE-FC-IP-PWS-IT	T.129
1450810000	IE-FC-IP-PWS-IT	T.129
1450810000	IE-FC-IP-PWS-IT	T.133
1450810000	IE-FC-IP-PWS-IT	T.133
1450810000	IE-FC-IP-PWS-IT	T.140
1450820000	IE-FC-PWPC	T.128
1450820000	IE-FC-PWPC	T.128
1450820000	IE-FC-PWPC	T.129
1450820000	IE-FC-PWPC	T.129
1450820000	IE-FC-PWPC	T.130
1450820000	IE-FC-PWPC	T.131
1450820000	IE-FC-PWPC	T.132
1450820000	IE-FC-PWPC	T.133
1450820000	IE-FC-PWPC	T.133
1450820000	IE-FC-PWPC	T.146
1450830000	IE-FC-IP-PWB-AU	T.129
1450830000	IE-FC-IP-PWB-AU	T.141
1450840000	IE-FC-IP-PWB-AU	T.129
1450840000	IE-FC-IP-PWB-AU	T.130
1450840000	IE-FC-IP-PWB-AU	T.132
1450840000	IE-FC-IP-PWB-AU	T.133
1450840000	IE-FC-IP-PWB-AU	T.136
1450850000	IE-FC-IP-PWB-AU	T.129
1450850000	IE-FC-IP-PWB-AU	T.130

Order No.	Type	Page
1450850000	IE-FC-IP-PWB-AU	T.132
1450850000	IE-FC-IP-PWB-AU	T.133
1450850000	IE-FC-IP-PWB-AU	T.136
1450870000	IE-FC-IP-PWB-AU	T.129
1450870000	IE-FC-IP-PWB-AU	T.130
1450870000	IE-FC-IP-PWB-AU	T.132
1450870000	IE-FC-IP-PWB-AU	T.133
1450870000	IE-FC-IP-PWB-AU	T.136
1450880000	IE-FC-D25-FF	T.130
1450880000	IE-FC-D25-FF	T.136
1450890000	IE-FC-D25-FM	T.130
1450890000	IE-FC-D25-FM	T.136
1450900000	IE-FC-D25-FS	T.130
1450900000	IE-FC-D25-FS	T.136
1453210000	ACT20P-UI-AO-D0-LP-S	T.83

1460000000

1460140000	UR20-2DI-P-TS	T.20
1460150000	UR20-4DI-P-TS	T.21
1463680000	UR20-EM-1460150000-SP	T.21
1463690000	UR20-EM-1460140000-SP	T.20
1465930000	IE-FC-KEY	T.128
1465930000	IE-FC-KEY	T.128
1467860000	SAISW-3+PE/11-S-COD	T.166
1467870000	SAIBW-3+PE/11-S-COD	T.166
1468880000	STRIPAX ULTIMATE	T.178
1469340000	UR20-PG0.35	T.17
1469340000	UR20-PG0.35	T.31
1469340000	UR20-PG0.35	T.45
1469340000	UR20-PG0.35	T.46
1469340000	UR20-PG0.35	T.48
1469340000	UR20-PG0.35	T.49
1469340000	UR20-PG0.35	T.55
1469340000	UR20-PG0.35	T.56

1470000000

1471390000	ERME SPX UL	T.178
1477420000	ACT20P-AI-AO-DC-S	T.86
1479650000	TRS 5VDC 1C0 16A	T.89
1479670000	TRS 12VDC 1C0 16A	T.89
1479680000	TRS 24VDC 1C0 16A	T.89
1479690000	TRS 24VUC 1C0 16A	T.89
1479700000	TRS 48VUC 1C0 16A	T.89
1479710000	TRS 60VUC 1C0 16A	T.89
1479730000	TRS 120VUC 1C0 16A	T.89
1479740000	TRS 230VUC 1C0 16A	T.89
1479750000	TRS 120VAC RC 1C0 16A	T.89
1479760000	TRS 230VAC RC 1C0 16A	T.89
1479770000	TRS 24-230VUC 1C0 16A	T.90
1479780000	TRS 24VDC 1N0 HC	T.91
1479790000	TRS 24-230VUC 1N0 HC	T.91
1479800000	TRS 5VDC 1C0 16A	T.89
1479810000	TRS 24VDC 1N0 HCP	T.92
1479820000	TRS 12VDC 1C0 16A	T.89
1479830000	TRS 24-230VUC 1N0 HCP	T.92
1479840000	TRZ 24VDC 1C0 16A	T.89
1479850000	TRZ 24VUC 1C0 16A	T.89
1479870000	TRZ 48VUC 1C0 16A	T.89
1479880000	TRZ 60VUC 1C0 16A	T.89
1479890000	TRZ 120VUC 1C0 16A	T.89
1479900000	TRZ 230VUC 1C0 16A	T.89
1479910000	TRZ 120VAC RC 1C0 16A	T.89
1479920000	TRZ 230VAC RC 1C0 16A	T.89
1479930000	TRZ 24-230VUC 1C0 16A	T.90
1479940000	TRZ 24VDC 1N0 HC	T.91
1479950000	TRZ 24-230VUC 1N0 HC	T.91
1479970000	TRZ 24VDC 1N0 HCP	T.92
1479980000	TRZ 24-230VUC 1N0 HCP	T.92

1480000000

1480950000	UR20-EM-1394420000-SP	T.29
1481970000	ACT20P-PRO DDC2 II-S	T.80
1483050000	KOSM BHZ5.00	T.6
1483050000	KOSM BHZ5.00	T.7
1483050000	KOSM BHZ5.00	T.8
1483050000	KOSM BHZ5.00	T.9
1483050000	KOSM BHZ5.00	T.10
1483050000	KOSM BHZ5.00	T.11
1483050000	KOSM BHZ5.00	T.12
1483050000	KOSM BHZ5.00	T.13
1483050000	KOSM BHZ5.00	T.14
1483050000	KOSM BHZ5.00	T.15
1483050000	KOSM BHZ5.00	T.16
1483050000	KOSM BHZ5.00	T.17
1483050000	KOSM BHZ5.00	T.18
1483050000	KOSM BHZ5.00	T.19
1483050000	KOSM BHZ5.00	T.20
1483050000	KOSM BHZ5.00	T.21
1483050000	KOSM BHZ5.00	T.22
1483050000	KOSM BHZ5.00	T.23
1483050000	KOSM BHZ5.00	T.24
1483050000	KOSM BHZ5.00	T.25
1483050000	KOSM BHZ5.00	T.26
1483050000	KOSM BHZ5.00	T.27
1483050000	KOSM BHZ5.00	T.28
1483050000	KOSM BHZ5.00	T.29

Order No.	Type	Page
1483050000	KOSM BHZ5.00	T.30
1483050000	KOSM BHZ5.00	T.31
1483050000	KOSM BHZ5.00	T.32
1483050000	KOSM BHZ5.00	T.33
1483050000	KOSM BHZ5.00	T.34
1483050000	KOSM BHZ5.00	T.35
1483050000	KOSM BHZ5.00	T.36
1483050000	KOSM BHZ5.00	T.37
1483050000	KOSM BHZ5.00	T.38
1483050000	KOSM BHZ5.00	T.39
1483050000	KOSM BHZ5.00	T.40
1483050000	KOSM BHZ5.00	T.41
1483050000	KOSM BHZ5.00	T.42
1483050000	KOSM BHZ5.00	T.43
1483050000	KOSM BHZ5.00	T.44
1483050000	KOSM BHZ5.00	T.45
1483050000	KOSM BHZ5.00	T.46
1483050000	KOSM BHZ5.00	T.47
1483050000	KOSM BHZ5.00	T.48
1483050000	KOSM BHZ5.00	T.49
1483050000	KOSM BHZ5.00	T.50
1483050000	KOSM BHZ5.00	T.51
1483050000	KOSM BHZ5.00	T.52
1483050000	KOSM BHZ5.00	T.53
1483050000	KOSM BHZ5.00	T.54
1483050000	KOSM BHZ5.00	T.55
1483050000	KOSM BHZ5.00	T.56
1483050000	KOSM BHZ5.00	T.57
1483050000	KOSM BHZ5.00	T.58
1483050000	KOSM BHZ5.00	T.59
1483050000	KOSM BHZ5.00	T.60
1483050000	KOSM BHZ5.00	T.61
1483050000	KOSM BHZ5.00	T.62
1483050000	KOSM BHZ5.00	T.63
1483050000	KOSM BHZ5.00	T.64
1483050000	KOSM BHZ5.00	T.65
1483050000	KOSM BHZ5.00	T.66
1483050000	KOSM BHZ5.00	T.67
1483050000	KOSM BHZ5.00	T.68
1483050000	KOSM BHZ5.00	T.69
1483050000	KOSM BHZ5.00	T.70
1483050000	KOSM BHZ5.00	T.71
1483050000	KOSM BHZ5.00	T.72
1483050000	KOSM BHZ5.00	T.73
1483050000	KOSM BHZ5.00	T.74
1483940000	UR20-PK-1315270000-SP	T.33
1483950000	UR20-PK-1315670000-SP	T.50
1483960000	UR20-PK-1315220000-SP	T.27
1483970000	UR20-PK-1315230000-SP	T.28
1483980000	UR20-PK-1394420000-SP	T.29
1483990000	UR20-PK-1315250000-SP	T.32
1484000000	UR20-PK-1315540000-SP	T.39
1484010000	UR20-PK-1315600000-SP	T.41
1484020000	UR20-PK-1315620000-SP	T.43
1484030000	UR20-PK-1394390000-SP	T.47
1484040000	UR20-PK-1315700000-SP	T.52
1484050000	UR20-PK-1315710000-SP	T.51
1484070000	UR20-PK-1315680000-SP	T.53
1484080000	UR20-PK-1334780000-SP	T.73
1484090000	UR20-PK-1334810000-SP	T.73
1484100000	UR20-PK-1335040000-SP	T.70
1484110000	UR20-PK-1460140000-SP	T.20
1484120000	UR20-PK-1334880000-SP	T.7
1484130000	UR20-PK-1334930000-SP	T.9
1484430000	UR20-PK-1460150000-SP	T.21
1484440000	UR20-PK-1334910000-SP	T.8
1487920000	IE-BI-USB-3.0-A	T.129
1487920000	IE-BI-USB-3.0-A	T.129
1487920000	IE-BI-USB-3.0-A	T.130
1487920000	IE-BI-USB-3.0-A	T.131
1487920000	IE-BI-USB-3.0-A	T.131
1487920000	IE-BI-USB-3.0-A	T.132
1487920000	IE-BI-USB-3.0-A	T.133
1487920000	IE-BI-USB-3.0-A	T.135
1487980000	IE-USB-A-MICRO-1.8M	T.6
1487980000	IE-USB-A-MICRO-1.8M	T.7
1487980000	IE-USB-A-MICRO-1.8M	T.8
1487980000	IE-USB-A-MICRO-1.8M	T.9
1487980000	IE-USB-A-MICRO-1.8M	T.10
1487980000	IE-USB-A-MICRO-1.8M	T.11
1487980000	IE-USB-A-MICRO-1.8M	T.12
1487980000	IE-USB-A-MICRO-1.8M	T.73

1490000000

1491920000	VFSKHV/1.5, 2.5/485	T.142
1491940000	VFSKHV/1.5, 2.5/638	T.145

Order No.	Type	Page
151000000		
1510240000	ACT20C-CMT-10-AR-C-S	T.77
1510340000	ACT20C-LBT-10	T.76
1510370000	ACT20C-GTW-100-MTCP-S	T.78
1510420000	ACT20C-CMT-60-AR-C-S	T.77
1510440000	ACT20P-CMT-60-AR-C-S	T.84
1510470000	ACT20P-CMT-10-AR-C-S	T.84
1510540000	ACT20P-CMT-30-AR-C-S	T.84
1510690000	UR20-4A0-UL-16-HD	T.55
1512780000	STRIPAX ULTIMATE XL	T.178
1512790000	ERME SPX UL XL	T.178
1515420000	UR20-EM-1506920000-SP	T.45
1515430000	UR20-EM-1506910000-SP	T.46
1515440000	UR20-EM-1508080000-SP	T.60
1515450000	UR20-EM-1509830000-SP	T.31
1515470000	UR20-EM-1510690000-SP	T.55
1515490000	UR20-EM-1506930000-SP	T.56
1515490000	UR20-EM-1508090000-SP	T.61
1518080000	IE-PS-RJ45-FH-90-A-1.1	T.121
1518090000	IE-PS-RJ45-FH-90-B-1.1	T.121
1518100000	IE-PS-RJ45-FH-90-P-1.6	T.122
1518800000	UR20-PK-1315190000-SP	T.17
1518820000	UR20-PK-1506910000-SP	T.46
1518830000	UR20-PK-1506920000-SP	T.45
1518840000	UR20-PK-1508080000-SP	T.60
1518870000	UR20-PK-1315690000-SP	T.44
1518880000	UR20-PK-1315730000-SP	T.54

152000000

1523940000	SVD 7.62HP/04/270F 3.2SN BK BX	T.177
1523950000	SVD 7.62HP/06/270F 3.2SN BK BX	T.177
1523970000	SVD 7.62HP/08/270F 3.2SN BK BX	T.177
1523980000	SVD 7.62HP/10/270F 3.2SN BK BX	T.177
1523990000	SVD 7.62HP/12/270F 3.2SN BK BX	T.177
1524740000	PVC-TV1-BK-6-1000	T.168
1525820000	PWZ-UR20-HD	T.17
1525820000	PWZ-UR20-HD	T.31
1525820000	PWZ-UR20-HD	T.45
1525820000	PWZ-UR20-HD	T.46
1525820000	PWZ-UR20-HD	T.48
1525820000	PWZ-UR20-HD	T.49
1525820000	PWZ-UR20-HD	T.55
1525820000	PWZ-UR20-HD	T.56
1529390000	IE-FC-SET-SPMCD002-KY-P	T.147
1529570000	IE-FCI-PWB-MC	T.129
1529570000	IE-FCI-PWB-MC	T.143
1529580000	IE-FC-SET-SPDEK001-KN-P	T.147
1529780000	UR20-4DI-4DO-PN-FSOE	T.64
1529800000	UR20-8DI-PN-FSOE	T.65

153000000

1530630000	BUGH BOX WM4 C BT	T.168
1530640000	SFGH BOX WM4 C BT	T.168
1530670000	BUKO WM4 C BT	T.168
1530680000	SFKO WM4 C BT	T.168
1530690000	BUGH WM4 C BT	T.168
1530700000	SFGH WM4 C BT	T.168
1530770000	BUKO WM4 C RL	T.168
1530780000	SFKO WM4 C RL	T.168
1531810000	UR20-PK-1506930000-SP	T.56
1531830000	UR20-PK-1510690000-SP	T.55
1534250000	IE-FCI-PWB-RCBO	T.129
1534250000	IE-FCI-PWB-RCBO	T.144
1534740000	Powerstripper AM 12	T.183

154000000

1541290000	UR20-PK-1334920000-SP	T.10
1542580000	SAI-4-M-NVV-M12 S-COD	T.165
1543290000	SVD 7.62HP/04/270G 3.2SN BK BX	T.176
1543310000	SVD 7.62HP/06/270G 3.2SN BK BX	T.176
1543320000	SVD 7.62HP/08/270G 3.2SN BK BX	T.176
1543330000	SVD 7.62HP/10/270G 3.2SN BK BX	T.176
1543340000	SVD 7.62HP/12/270G 3.2SN BK BX	T.176
1543680000	IE-FC-SET-SPDEK001-KY-P	T.148
1543690000	IE-FCI-PWCB-3A	T.131
1543690000	IE-FCI-PWCB-3A	T.145
1543710000	IE-FC-IP-PWU/1ST/CB	T.131
1546590000	IE-FCI-PWB-AU-10A	T.129
1546590000	IE-FCI-PWB-AU-10A	T.141
1547440000	IE-CI-240W-PP-BASE	T.118
1547450000	IE-CI-240W-PP-REMOTE	T.118
1547490000	EBB 25-50/16	T.116
1547500000	JB 25-50	T.116

155000000

1550070000	UR20-4DI-2W-230V-AC	T.26
1554000000	IE-FCI-PWB-DE-OR	T.129
1554000000	IE-FCI-PWB-DE-OR	T.138
1556290000	IE-FCHD15-FF	T.137
1558880000	UR20-EM-1550070000-SP	T.26
1559720000	UR20-PK-1509830000-SP	T.31
1559740000	UR20-PK-1315650000-SP	T.48
1559750000	UR20-PK-1315720000-SP	T.49
1559770000	UR20-PK-1315350000-SP	T.22

Order No.	Type	Page
1559780000	UR20-PK-1315370000-SP	T.23
1559790000	UR20-PK-1315390000-SP	T.24
1559800000	UR20-PK-1315400000-SP	T.25
1559820000	UR20-PK-1550070000-SP	T.26
1559840000	UR20-PK-1315410000-SP	T.34
1559850000	UR20-PK-1315420000-SP	T.35
1559870000	UR20-PK-1508090000-SP	T.61

156000000

1560650000	WPD 101 2X25/2X16 GN	T.106
1560670000	WPD 101 2X25/2X16 BL	T.106
1560730000	WPD 101 2X25/2X16 BK	T.106
1561100000	WPD 101 2X25/2X16 GY	T.106
1561120000	WPD 101 2X25/2X16 BN	T.106
1561130000	WPD 301 2X25/2X16 3XGY	T.106
1561620000	WPD 202 4X35/4X25 GN	T.108
1561630000	WPD 102 2X35/2X25 BK	T.108
1561640000	WPD 102 2X35/2X25 BL	T.108
1561650000	WPD 102 2X35/2X25 BN	T.108
1561670000	WPD 102 2X35/2X25 GN	T.108
1561680000	WPD 102 2X35/2X25 GY	T.108
1561690000	WPD 202 4X35/4X25 BK	T.108
1561700000	WPD 202 4X35/4X25 BL	T.108
1561720000	WPD 202 4X35/4X25 BN	T.108
1561730000	WPD 202 4X35/4X25 GY	T.108
1561740000	WPD 302 2X35/2X25 3XGY	T.109
1561750000	WPD 501 2X25/2X16 5XGY	T.107
1561770000	WPD 103 2X70/2X50 GY	T.109
1561780000	WPD 103 2X70/2X50 BL	T.109
1561790000	WPD 103 2X70/2X50 GN	T.109
1561800000	WPD 401 2X25/2X16 4XGY	T.107
1561820000	WPD 103 2X70/2X50 BN	T.109
1561830000	WPD 103 2X70/2X50 BK	T.109
1561910000	WPD 100 2X25/6X10 GY	T.110
1561920000	WPD 100 2X25/6X10 BL	T.110
1561930000	WPD 100 2X25/6X10 GN	T.110
1561960000	WOB WPD X05/2	T.112
1561960000	WOB WPD X05/2	T.112
1561960000	WOB WPD X05/2	T.112
1561970000	WOB WPD X05/3	T.112
1561970000	WOB WPD X05/3	T.112
1561970000	WOB WPD X05/3	T.113
1561980000	WOB WPD X04/2	T.110
1561980000	WOB WPD X04/2	T.111
1561980000	WOB WPD X04/2	T.111
1561990000	WOB WPD X04/3	T.110
1561990000	WOB WPD X04/3	T.111
1561990000	WOB WPD X04/3	T.111
1562000000	WPD 104 1X25+1x16/2x16+3x10 GY	T.110
1562090000	WPD 109 1X185/2X35+3X25+4X16 GY	T.115
1562100000	WPD 108 1X120/2X35+3X25+4X16 GY	T.115
1562130000	WPD 401 2X25/2X16 3XGY/1XBL	T.107
1562140000	WPD 501 2X25/2X16 1XGN/3XGY/1XBL	T.107
1562150000	WPD 204 2X25/4X16+6X10 2XGY	T.111
1562160000	WPD 304 3X25/6X16+9X10 3XGY	T.111
1562170000	WPD 105 1X35+1x16/2x25+3x16 GY	T.112
1562180000	WPD 205 2X35/4X25+6X16 2XGY	T.112
1562190000	WPD 305 3X35/6X25+9X16 3XGY	T.113
1562210000	WPD 106 1X70/2X25+3X16 GY	T.114
1562220000	WPD 107 1X95/2X35+8X25 GY	T.114

170000000

1707270000	SM 27/18 K MC NE WS	T.128
1707270000	SM 27/18 K MC NE WS	T.128

171000000

1713760000	SM 27/18 K MC NE SI	T.128
1713760000	SM 27/18 K MC NE SI	T.128

173000000

1736181044	ESG 7/20 SIRIUS MC NE WS	T.128
1736181044	ESG 7/20 SIRIUS MC NE WS	T.128
1736181044	ESG 7/20 SIRIUS MC NE WS	T.129
1736181044	ESG 7/20 SIRIUS MC NE WS	T.129
1736181044	ESG 7/20 SIRIUS MC NE WS	T.130
1736181044	ESG 7/20 SIRIUS MC NE WS	T.131
1736181044	ESG 7/20 SIRIUS MC NE WS	T.131
1736181044	ESG 7/20 SIRIUS MC NE WS	T.132
1736181044	ESG 7/20 SIRIUS MC NE WS	T.133
1736181044	ESG 7/20 SIRIUS MC NE WS	T.133

191000000

1919990000	BLDZ DN5.08/05/180F GY BX PRT	T.11
------------	-------------------------------	------

193000000

1933550000	BLZ DN 5.08/05/180F AU GY BX PRT	T.11
1937590000	BV/SV 7.62HP KO	T.176

196000000

1962840000	IE-BI-RJ45-C	T.129
1962840000	IE-BI-RJ45-C	T.129
1962840000	IE-BI-RJ45-C	T.130

Order No.	Type	Page
1962840000	IE-BI-RJ45-C	T.131
1962840000	IE-BI-RJ45-C	T.131
1962840000	IE-BI-RJ45-C	T.132
1962840000	IE-BI-RJ45-C	T.133
1962840000	IE-BI-RJ45-C	T.134
1962850000	IE-BI-RJ45-FJA	T.129
1962850000	IE-BI-RJ45-FJA	T.129
1962850000	IE-BI-RJ45-FJA	T.130
1962850000	IE-BI-RJ45-FJA	T.131
1962850000	IE-BI-RJ45-FJA	T.131
1962850000	IE-BI-RJ45-FJA	T.132
1962850000	IE-BI-RJ45-FJA	T.133
1962850000	IE-BI-RJ45-FJA	T.134
1963830000	IE-BI-RJ45-FJP	T.129
1963830000	IE-BI-RJ45-FJP	T.129
1963830000	IE-BI-RJ45-FJP	T.130
1963830000	IE-BI-RJ45-FJP	T.131
1963830000	IE-BI-RJ45-FJP	T.131
1963830000	IE-BI-RJ45-FJP	T.132
1963830000	IE-BI-RJ45-FJP	T.133
1963830000	IE-BI-RJ45-FJP	T.134
1963840000	IE-BI-RJ45-FJB	T.129
1963840000	IE-BI-RJ45-FJB	T.129
1963840000	IE-BI-RJ45-FJB	T.130
1963840000	IE-BI-RJ45-FJB	T.131
1963840000	IE-BI-RJ45-FJB	T.133
1963840000	IE-BI-RJ45-FJB	T.134
1963900000	IE-BP-V04P	T.126

198000000

1984540000	TRS 24VDC 1C0 AGSNO	T.93
1984550000	TRZ 24VDC 1C0 AGSNO	T.93
1984560000	TRS 12VDC 1C0 CID2	T.97
1984570000	TRS 24VDC 1C0 CID2	T.97
1984580000	TRS 24VDC 1C0 CID2	T.97
1984590000	TRS 120VACRC 1C0 CID2	T.97
1984600000	TRS 230VACRC 1C0 CID2	T.97
1984610000	TRS 24-230VUC 1C0 CID2	T.97
1984620000	TRS 12VDC 1C0AU CID2	T.99
1984630000	TRS 24VDC 1C0AU CID2	T.99
1984640000	TRS 120VACRC 1C0AU CID2	T.99
1984650000	TRS 24-230VUC 1C0AU CID2	T.99
1984700000	UR20-PK-1315430000-SP	T.36
1988590000	LUF 10.00/01/90 5.0SN BK BX	T.172
1988600000	LUF 10.00/02/90 5.0SN BK BX	T.172
1988610000	LUF 10.00/03/90 5.0SN BK BX	T.172
1988620000	LUF 10.00/04/90 5.0SN BK BX	T.172
1988630000	LUF 10.00/05/90 5.0SN BK BX	T.172
1988640000	LUF 10.00/06/90 5.0SN BK BX	T.172
1988650000	LUF 10.00/07/90 5.0SN BK BX	T.172
1988660000	LUF 10.00/08/90 5.0SN BK BX	T.172
1989020000	IE-FC-SET-SPDEK001-KY-P	T.148
1989310000	PZ 10 SQR ZERT	T.180
1989320000	PZ 10 HEX ZERT	T.180

199000000

1990600000	IE-CC-V14M-RJ45-FJP	T.124
1990610000	IE-CC-V14M-HYB-10P-FJ	T.125
1990620000	IE-CC-V14M-MF	T.124
1990620000	IE-CC-V14M-MF	T.125
1990630000	IE-CC-VAPM-24V	T.124
1990640000	IE-CC-VAPM-MF	T.124
1990960000	TOS 24VDC 24VDC5A	T.94
1990970000	TOS 24-230VUC 24VDC5A	T.94
1990980000	TOZ 24VDC 24VDC5A	T.94
1990990000	TOZ 24-230VUC 24VDC5A	T.94
1992820000	IE-PS-RJ45-FH-180-A-1.6	T.120
1992830000	IE-PS-RJ45-FH-180-B-1.6	T.120
1992840000	IE-PS-RJ45-FH-180-P-1.6	T.122
1992850000	IE-PS-RJ45-FH-180-A-1.1	T.120
1992860000	IE-PS-RJ45-FH-180-B-1.1	T.120
1992870000	IE-PS-RJ45-FH-90-A-1.6	T.121
1992880000	IE-PI-RJ45-FH-A-1.6	T.120
1992890000	IE-PI-RJ45-FH-A-1.6	T.121
1992890000	IE-PS-RJ45-FH-90-B-1.6	T.121
1992900000	IE-PI-RJ45-FH-B-1.6	T.120
1992900000	IE-PI-RJ45-FH-B-1.6	T.121
1992910000		

Order No.	Type	Page
2000940000	LS2HF 3.50/04/90 3.5SN OR BX	T.174
2000950000	LS2HF 3.50/06/90 3.5SN OR BX	T.174
2000960000	LS2HF 3.50/08/90 3.5SN OR BX	T.174
2000970000	LS2HF 3.50/10/90 3.5SN OR BX	T.174
2000980000	LS2HF 3.50/12/90 3.5SN OR BX	T.174
2000990000	LS2HF 3.50/14/90 3.5SN OR BX	T.174
2001000000	LS2HF 3.50/16/90 3.5SN OR BX	T.174
2001010000	LS2HF 3.50/18/90 3.5SN OR BX	T.174
2001020000	LS2HF 3.50/20/90 3.5SN OR BX	T.174
2001030000	LS2HF 3.50/22/90 3.5SN OR BX	T.174
2001040000	LS2HF 3.50/24/90 3.5SN OR BX	T.174
2001800000	PRO DCDC 120W 24V 5A	T.101
2001810000	PRO DCDC 240W 24V 10A	T.101
2001820000	PRO DCDC 480W 24V 20A	T.102
2003390000	IE-FCHDMFI-F	T.137
2003530000	UR20-PK-1334890000-SP	T.12
2003540000	UR20-PK-1334900000-SP	T.11
2007230000	IE-FCI-PWB-FR-OR	T.129
2007230000	IE-FCI-PWB-FR-OR	T.139
2007430000	UR20-1COM-SAI-PRO	T.63
2008130000	TRANSCLINIC 16i+	T.105
2009360000	UR20-4DIP-3W	T.14
2009620000	SAI-4-M-MVV-M12 1:1	T.164

2010000000

2011240000	UR20-PK-2009360000-SP	T.14
2011260000	UR20-EM-2009360000-SP	T.14
2017200000	VG M12 EXE 4-6 5 CR 7J	T.170
2017210000	VG M16 EXE 5-8 CR 7J	T.170
2017220000	VG M16 EXE 6-10 CR 7J	T.170
2017230000	VG M20 EXE 7-12 CR 7J	T.170
2017240000	VG M20 EXE 7-13 CR 7J	T.170
2017250000	VG M20 EXE 11-14 CR 7J	T.170
2017260000	VG M25 EXE 12-17 CR 7J	T.170
2017280000	VG M25 EXE 14-18 CR 7J	T.170
2017290000	VG M32 EXE 16-21 CR 7J	T.170
2017300000	VG M32 EXE 19-25 CR 7J	T.170
2017310000	VG M40 EXE 20-28 CR 7J	T.170
2017320000	VG M40 EXE 23-32 CR 7J	T.170
2017340000	VG M50 EXE 31-38 CR 7J	T.170
2017350000	VG M63 EXE 35-44 CR 7J	T.170
2017370000	VG M12 EXE 4-6 5 SI 7J	T.171
2017380000	VG M16 EXE 5-8 SI 7J	T.171
2017390000	VG M16 EXE 6-10 SI 7J	T.171
2017430000	VG M20 EXE 7-12 SI 7J	T.171
2017500000	VG M20 EXE 7-13 SI 7J	T.171
2017510000	VG M20 EXE 11-14 SI 7J	T.171
2017520000	VG M25 EXE 12-17 SI 7J	T.171
2017550000	VG M25 EXE 14-18 SI 7J	T.171
2017560000	VG M32 EXE 16-21 SI 7J	T.171
2017590000	VG M32 EXE 19-25 SI 7J	T.171
2017610000	VG M40 EXE 20-28 SI 7J	T.171
2017630000	VG M40 EXE 23-32 SI 7J	T.171
2017650000	VG M50 EXE 31-38 SI 7J	T.171
2017660000	VG M63 EXE 35-44 SI 7J	T.171
2017670000	VG M12 EXI 4-6 5 CR 7J	T.170
2017680000	VG M16 EXI 5-8 CR 7J	T.170
2017690000	VG M16 EXI 6-10 CR 7J	T.170
2017700000	VG M20 EXI 7-12 CR 7J	T.170
2017710000	VG M20 EXI 7-13 CR 7J	T.170
2017720000	VG M20 EXI 11-14 CR 7J	T.170
2017730000	VG M25 EXI 12-17 CR 7J	T.170
2017740000	VG M25 EXI 14-18 CR 7J	T.170
2017750000	VG M32 EXI 16-21 CR 7J	T.170
2017760000	VG M32 EXI 19-25 CR 7J	T.170
2017770000	VG M40 EXI 20-28 CR 7J	T.170
2017780000	VG M40 EXI 23-32 CR 7J	T.170
2017790000	VG M50 EXI 31-38 CR 7J	T.170
2017800000	VG M63 EXI 35-44 CR 7J	T.170
2017810000	VG M12 EXI 4-6 5 SI 7J	T.171
2017820000	VG M16 EXI 5-8 SI 7J	T.171
2017830000	VG M16 EXI 6-10 SI 7J	T.171
2017840000	VG M20 EXI 7-12 SI 7J	T.171
2017850000	VG M20 EXI 7-13 SI 7J	T.171
2017870000	VG M20 EXI 11-14 SI 7J	T.171
2017880000	VG M25 EXI 12-17 SI 7J	T.171
2017890000	VG M25 EXI 14-18 SI 7J	T.171
2017900000	VG M32 EXI 16-21 SI 7J	T.171
2017910000	VG M32 EXI 19-25 SI 7J	T.171
2017920000	VG M40 EXI 20-28 SI 7J	T.171
2017930000	VG M40 EXI 23-32 SI 7J	T.171
2017940000	VG M50 EXI 31-38 SI 7J	T.171
2017950000	VG M63 EXI 35-44 SI 7J	T.171

2020000000

2027660000	IE-BHD-V04P	T.126
------------	-------------	-------

2420000000

2421570000	SAIE-M8S-3-H5.5TL	T.150
2421580000	SAIE-M8S-4-H5.5TL	T.150
2421590000	SAIE-M8S-5B-H5.5TL	T.150
2421600000	SAIE-M12B-4-H5.5TL-M16	T.152
2421610000	SAIE-M8B-4-H5.5TL	T.150
2421620000	SAIE-M12B-5-H5.5TL-M16	T.152
2421630000	SAIE-M8B-5B-H5.5TL	T.150
2421640000	SAIE-M12B-8-H5.5TL-M16	T.152

Order No.	Type	Page
2421650000	SAIE-M8B-8-H5.5TL	T.150
2421660000	SAIE-M12B-4-H12TL-M16	T.152
2421680000	SAIE-M12B-5-H12TL-M16	T.152
2421700000	SAIE-M12SB-4-H5.5TL-PG9	T.156
2421710000	SAIE-M12B-8-H12TL-M16	T.152
2421720000	SAID-M8B-3-SMT	T.158
2421730000	SAIE-M12SB-4-H12TL-PG9	T.156
2421740000	SAIE-M12S-4-H5.5TL-M16	T.152
2421750000	SAID-M8S-3-SMT	T.158
2421770000	SAIE-M12S-5-H5.5TL-M16	T.152
2421780000	SAID-M8B-3S-SMT	T.158
2421800000	SAIE-M12S-8-H5.5TL-M16	T.152
2421810000	SAID-M8S-3S-SMT	T.158
2421830000	SAIE-M12S-4-H12TL-M16	T.152
2421840000	SAID-M8B-4-SMT	T.158
2421860000	SAIE-M12S-5-H12TL-M16	T.152
2421870000	SAID-M8S-4-SMT	T.158
2421890000	SAIE-M12S-8-H12TL-M16	T.152
2421900000	SAID-M8B-4S-SMT	T.158
2421920000	SAIE-M12B-4-H5.5TL-PG9	T.153
2421930000	SAID-M8S-4S-SMT	T.158
2421950000	SAIE-M12B-4-H12TL-PG9	T.153
2421960000	SAID-M8B-5-SMT	T.158
2421980000	SAIE-M12B-5-H5.5TL-PG9	T.153
2421990000	SAID-M8S-5-SMT	T.158
2422010000	SAIE-M12B-5-H12TL-PG9	T.153
2422020000	SAID-M8B-5S-SMT	T.158
2422040000	SAIE-M12B-8-H5.5TL-PG9	T.153
2422050000	SAID-M8S-5S-SMT	T.158
2422060000	SAID-M12B-4-9SMT	T.159
2422070000	SAIE-M12B-8-H12TL-PG9	T.153
2422080000	SAID-M8B-8-SMT	T.158
2422100000	SAIE-M12S-4-H5.5TL-PG9	T.153
2422110000	SAID-M8S-8-SMT	T.158
2422120000	SAID-M12B-5-9SMT	T.159
2422130000	SAIE-M12S-4-H12TL-PG9	T.153
2422140000	SAID-M8B-8S-SMT	T.158
2422160000	SAIE-M12S-5-H5.5TL-PG9	T.153
2422170000	SAID-M8S-8S-SMT	T.158
2422180000	SAID-M12B-4S-9SMT	T.159
2422190000	SAIE-M12S-5-H12TL-PG9	T.153
2422220000	SAIE-M12S-8-H5.5TL-PG9	T.153
2422240000	SAID-M12B-5S-9SMT	T.159
2422250000	SAIE-M12S-8H12TL-PG9	T.153
2422280000	SAIE-M12B-4D-H12TL-M16	T.154
2422310000	SAIE-M12B-4B-H5.5TL-M16	T.154
2422340000	SAIE-M12B-4B-H12TL-M16	T.154
2422370000	SAIE-M12S-4B-H5.5TL-M16	T.154
2422400000	SAIE-M12S-4B-H12TL-M16	T.154
2422420000	SAID-M12S-9-9SMT	T.159
2422430000	SAIE-M12B-4D-H5.5TL-M16	T.154
2422480000	SAID-M12B-8-9SMT	T.159
2422540000	SAID-M12S-4S-9SMT	T.159
2422600000	SAIE-M12S-5-9SMT	T.159
2422720000	SAID-M12SB-4-9SMT	T.160
2422780000	SAID-M12SB-5-9SMT	T.160
2422840000	SAID-M12BB-4-9SMT	T.160
2422900000	SAID-M12BB-5-9SMT	T.160
2422960000	SAID-M12BB-4-SMT	T.160
2423380000	SAID-M12B-8S-9SMT	T.159
2423420000	SAIEW-M12B-4-HTL	T.156
2423450000	SAIEW-M12B-4S-HTL	T.157
2423480000	SAIEW-M12B-5-HTL	T.156
2423500000	SAID-M12S-4S-9SMT	T.159
2423510000	SAIEW-M12B-5S-HTL	T.157
2423540000	SAIEW-M12B-4-HTL	T.156
2423560000	SAID-M12S-5S-9SMT	T.159
2423570000	SAIEW-M12B-4S-FTL	T.157
2423600000	SAIEW-M12B-5-FTL	T.156
2423620000	SAID-M12S-8S-9SMT	T.159
2423630000	SAIEW-M12B-5S-FTL	T.157
2423660000	SAIEW-M12S-4-HTL	T.156
2423690000	SAIEW-M12S-4S-HTL	T.157
2423720000	SAIEW-M12S-5-HTL	T.156
2423750000	SAIEW-M12S-5S-HTL	T.157
2423780000	SAIEW-M12S-4-FTL	T.156
2423810000	SAIEW-M12S-4S-FTL	T.157
2423840000	SAIEW-M12S-5-FTL	T.156
2423870000	SAIEW-M12S-5S-FTL	T.157
2423920000	SAIFG-M14X1-B-1	T.162
2423950000	SAIFG-M14X1-B-2	T.162
2423980000	SAIFG-M14X1-S-1	T.163
2424010000	SAISKM-M14X1	T.163
2424250000	SAIEW-M8B-3S-H8TL	T.151
2424280000	SAIEW-M8B-3S-H12TL	T.151
2424300000	SAIEW-M8S-3S-H8TL	T.151
2424330000	SAIEW-M8S-3S-H12TL	T.151
2424360000	SAIEW-M8B-4S-H8TL	T.151
2424390000	SAIEW-M8B-4S-H12TL	T.151
2424420000	SAIEW-M8S-4S-H8TL	T.151
2424440000	SAIE-M12BD-4-H5.5TL-PG9	T.155
2424450000	SAIEW-M8S-4S-H12TL	T.151
2424470000	SAIE-M12BD-4-H12TL-PG9	T.155
2424490000	SAIE-M12BB-4-H5.5TL-PG9	T.155
2424510000	SAIE-M12BB-4-H12TL-PG9	T.155
2425150000	UR20-PK-1315750000-SP	T.62
2425160000	UR20-PK-2007430000-SP	T.63
2425350000	UR20-EM-2007430000-SP	T.63

7780000000

7789306010	PAC-UNIV-HE20-LCH-1M	T.19
7789306010	PAC-UNIV-HE20-LCH-1M	T.25
7789306010	PAC-UNIV-HE20-LCH-1M	T.33
7789306010	PAC-UNIV-HE20-LCH-1M	T.38
7789306010	PAC-UNIV-HE20-LCH-1M	T.50

9000000000

9002650000	KT 8	T.168
9008340000	SDS 0.8X4.0X100	T.172
9008370000	SDIS 0.4X2.5X75	T.174
9008400000	SDIS 0.8X4.0X100	T.172
9008540000	SDK PZ2	T.106
9008540000	SDK PZ2	T.106
9008540000	SDK PZ2	T.107
9008540000	SDK PZ2	T.107
9008540000	SDK PZ2	T.108
9008540000	SDK PZ2	T.108
9008540000	SDK PZ2	T.109
9008540000	SDK PZ2	T.109
9008540000	SDK PZ2	T.110
9008540000	SDK PZ2	T.110
9008540000	SDK PZ2	T.111
9008540000	SDK PZ2	T.111
9008540000	SDK PZ2	T.112
9008540000	SDK PZ2	T.112
9008540000	SK WSD-S 1.5-10,0	T.116
9008870000	SKS 2.0-8.0 MR	T.114
9008870000	SKS 2.0-8.0 MR	T.114
9008870000	SKS 2.0-8.0 MR	T.115
9008870000	SKS 2.0-8.0 MR	T.115
9009030000	SDS 0.4X2.5X75	T.174

9020000000

9028480000	POWERSTRIPPER 16,0	T.182
9028510000	POWERSTRIPPER 6,0	T.182

9200000000

9202210000	multi-stripax 6-16	T.17
9202210000	multi-stripax 6-16	T.31
9202210000	multi-stripax 6-16	T.45
9202210000	multi-stripax 6-16	T.46
9202210000	multi-stripax 6-16	T.48
9202210000	multi-stripax 6-16	T.49
9202210000	multi-stripax 6-16	T.55
9202210000	multi-stripax 6-16	T.56

9440000000

9445700000	RS 1610 1W H S	T.19
9445700000	RS 1610 1W H S	T.25
9445700000	RS 1610 1W H S	T.33
9445700000	RS 1610 1W H S	T.38

9910000000

9918370000	DMS MANUELL 0,5-1,7	T.168
9918380000	DMS MANUELL 2,0-8,0	T.168

We cannot guarantee that there are no mistakes in the publications or software provided by us to the customer for the purpose of making orders. We try our best to quickly correct errors in our printed media.

X

All orders are based on our general terms of delivery, which can be reviewed on the websites of our group companies where you place your order. On demand we can also send the general terms of delivery to you.

Weidmüller – Your partner in Industrial Connectivity

As experienced experts we support our customers and partners around the world with products, solutions and services in the industrial environment of power, signal and data. We are at home in their industries and markets and know the technological challenges of tomorrow. We are therefore continuously developing innovative, sustainable and useful solutions for their individual needs. Together we set standards in Industrial Connectivity.

Weidmüller Interface GmbH & Co. KG
Klingenbergstraße 16
32758 Detmold, Germany
T +49 5231 14-0
F +49 5231 14-292083
info@weidmueller.com
www.weidmueller.com

Your local Weidmüller partner can
be found on our website:
www.weidmueller.com/countries

Made in Germany



Order number: 2168880000/11/2015/SMKW