

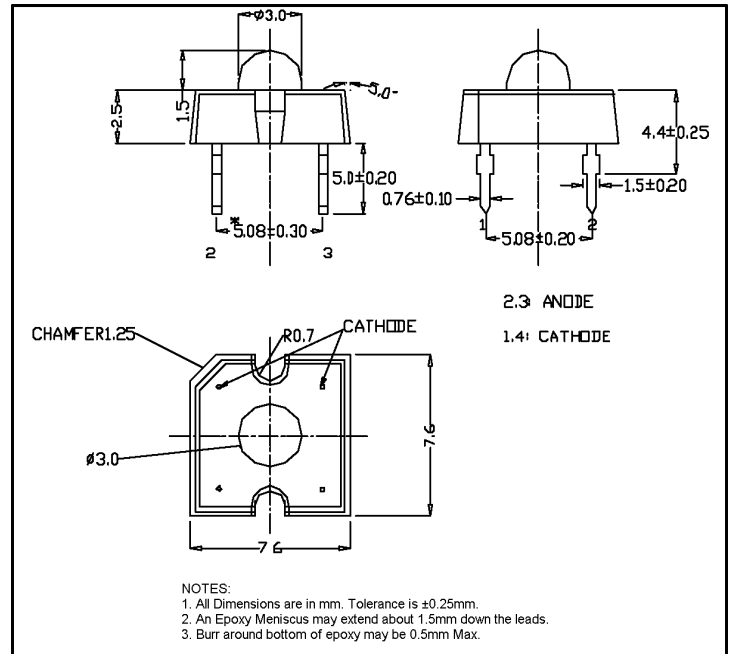
LP377THR1-A0G

Features

- Low Profile
- 4 Pin Plastic Package
- Water Clear Lens
- High Flux Output
- High Current Operation

Applications

- Automotive Interior Exterior Lighting
- Rail Signals
- Traffic Control Devices
- Channel Letters
- Strip Lighting
- Architectural Lighting



Maximum Ratings (Ta=25°C)

Characteristic	Symbol	Max.	Unit
Forward Current	I _F	70	mA
Reverse Voltage	V _R	5.00	V
Power Dissipation	P _D	220.00	mW
Operating Temperature	T _{opr}	-40 ~ +100	°C
Storage Temperature	T _{stg}	-40 ~ +100	°C
Soldering Temperature	T _{sol}	260	°C
Soldering Time	-	for 5 sec. max	-

Opto-Electrical Characteristics (Ta=25°C)

Characteristic	Symbol	Test Condition	Min	Typ	Max	Unit
Forward Voltage	V _F	I _F =70mA	--	2.60	3.20	V
Reverse Current	I _R	V _R =5V	-	-	100	μA
Luminous Flux	Φ	I _F =70mA	3000.00	4000.00	-	mlm
Viewing Angle	2θ ^{1/2}	-	-	100°	-	deg.
Peak Wavelength	λ _p	I _F =70mA	-	639	-	nm
Dominant Wavelength	λ _d	I _F =70mA	-	628	-	nm
Spectral Line Half Width	Δλ	I _F =70mA	-	23	-	nm

Company Headquarters
 120 Broadway
 Menands, New York 12204
 Toll Free: 800.984.5337
 Fax: 518.432.7454



Web: www.marktechopto.com | Email: info@marktechopto.com

West Coast Sales Office
 950 South Coast Drive, Suite 265
 Costa Mesa, California 92626
 Toll Free: 800.984.5337
 Fax: 714.850.9314

LP377THR1-A0G Graphs

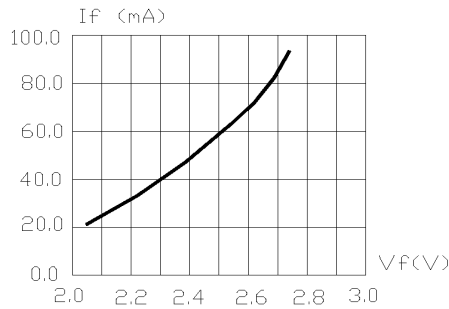


FIG.1 FORWARD CURRENT VS. FORWARD VOLTAGE.

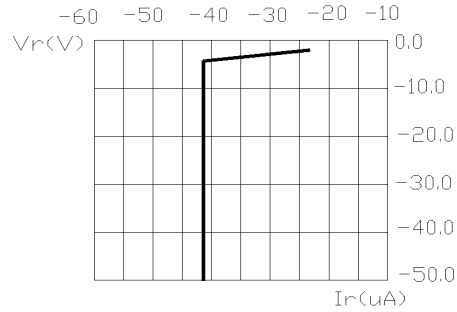


FIG.2 REVERSE CURRENT VS. REVERSE VOLTAGE.

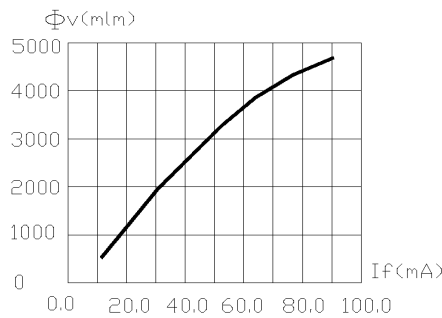


FIG.3 RELATIVE FLUX VS. FORWARD CURRENT.

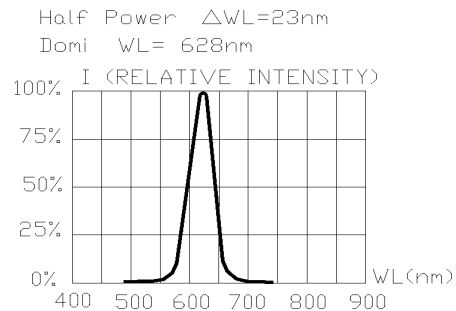


FIG.4 RELATIVE INTENSITY VS. WAVE LENGTH.

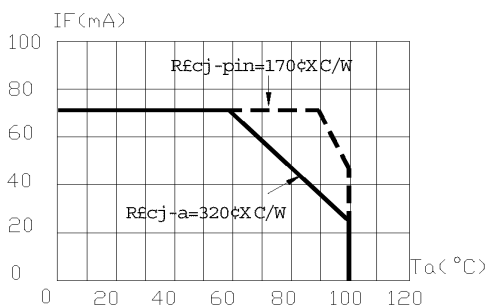


FIG.5 MAXIMUM FORWARD DC CURRENT VS TEMPERATURE. DERATING BASED ON $T_{jmax} = 120^{\circ}C$

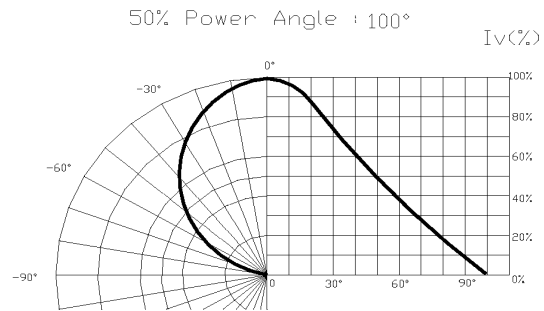


FIG.6 SPATIAL DISTRIBUTION.

1. Cathode PAD Area ($0.18 \times 0.18 \times 2inch^2$)
2. Height above nominal seating plane in inches (0.3inch)