

# HIGH PRESSURE SODIUM METAL HALIDE



## 300 Series *Rustproof Vandal-Resistant Wall/Ceiling Luminaire* 50 Watts Maximum of Metal Halide 70 Watts Maximum of High Pressure Sodium

Designed for indoor/outdoor use where efficiency and style must compete with abuse by environmental elements or vandalism.

**Rustproof.** Engineered with materials offering the **highest resistance to corrosion and impact.** The **polycarbonate** housing is **non-conductive**, insuring more safety to the end user. Ideally suited as security lighting for schools, motels, hospitals, condominiums; and for industrial, commercial, and government buildings. Must be non-insulated ceiling types only.

### Specifications

**Lens:** UV-stabilized injection molded **polycarbonate**. Average thickness is  $\frac{1}{8}$ ". Smooth exterior surface for ease of cleaning. Selections include clear prismatic and single end trim finish in white or bronze.

**Base Plate:** **Rustproof** .080" 5052 H-32 tempered marine-grade aluminum is standard.

**Housing:** Injection molded in black, white, or bronze UV-stabilized, reinforced **polycarbonate**. Rear knockout for supply wire. Available with up to four threaded connections and plugs suitable for  $\frac{1}{2}$ " conduit.

**Gasket:** Closed-cell neoprene rubber in  $\frac{1}{8}$ " thickness creates a tight seal against contaminants and moisture.

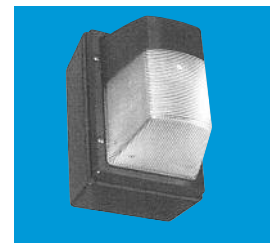
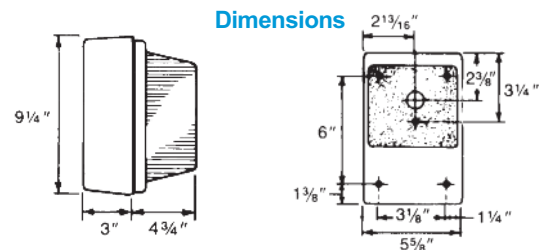
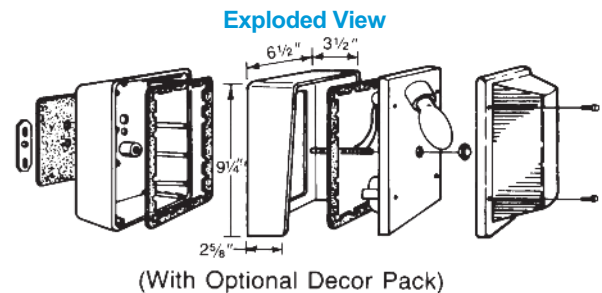
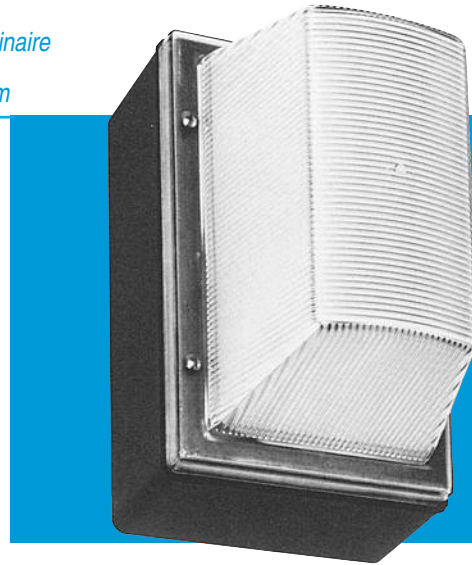
**Socket:** Medium-base high heat phenolic with nickel-plated copper screw shell, 4KV pulse rated with leads insulated for 200°C; 660W, 600V.

**Lamp: (optional)** Medium-base lamp; High Pressure Sodium in 35(ANSI S76), 50(ANSI S68), and 70(ANSI S62) watts. Metal Halide in 50 watts (ANSI M110). UV-shielded metal halide lamp standard when lamp ordered to retard lens yellowing.

**Ballast:** High Pressure Sodium available in NPF 120 or HPF 120 or HPF 120/277 or HPF 120/277/347. Metal Halide available in HPF 120/208/240/277.

**Hardware:** Four stainless-steel 8-32 phillips truss head screws or tamperproof screws attach lens to base plate. Mounting hardware included.

**Mounting:** Ceiling. Wall **vertically with lamp base up**. HPS ceiling applications in Canada must be non-insulated ceiling types only.



Shown With 300-S Lens

### ETL-US and ETL-C Listed For Wet Locations.

All polycarbonate components meet Underwriters Laboratories 746C tests for polymeric material and carry a flammability rating of 94HB or better on lenses and the superior 94-5V rating on housings.

Luminaire Type \_\_\_\_\_  
 Catalog Number \_\_\_\_\_  
 Job Name \_\_\_\_\_  
 Approval \_\_\_\_\_

## WF Harris Lighting, Inc.

Innovative Lighting Designs Since 1970

P.O. Box 5023, Monroe, NC 28111-5023, USA  
 (704) 283-7477 (HEADQUARTERS) • (800) 842-9345 (TOLL FREE)  
 e-mail: customerservice@wfharris.com  
 www.wfharrislighting.com

# HPS-METAL HALIDE

Ordering Information (Fill In Blanks For Complete Catalog Number)

Model	Lens Color	Housing Color	Watts/Lamp	Power Factor/Volts	Options	Conduit Connection
Model	Lens Color	Housing Color	Watts/Lamp	Power Factor / Volts	Options	Conduit Connections
300	CP-Clear Prismatic	HK-Black	35 HPS	NPF 120 <sup>5</sup>	LP-Lamp	CRS- Right Side
300-S <sup>3</sup>		HW-White	50 MH	HPF 120 <sup>4</sup>	PC-Photo Control <sup>1</sup>	CLS- Left Side
300-HZ <sup>4</sup>		HB-Bronze	50 HPS	HPF 120/277 <sup>5</sup>	TPS-Tamperproof Screws	CT- Top
			70 HPS	HPF 120/277/347 <sup>2</sup>	DP___ - Polycarbonate Decor Pack (specify color)	CB- Bottom
				HPF 120/208/240/277 <sup>6</sup>	K-Black W-White B-Bronze	C4- All Four Sides
					FS-Fuse and Holder	
					SR-Round Photo Control Shield	
					SRH-Half-Round Photo Control Shield	
					GCO-HD-Heavy Duty Grounded Convenience Outlet <sup>7</sup>	

<sup>1</sup> Specify Voltage – 120V or 277V Only

<sup>2</sup> Available in 70 HPS Only

<sup>3</sup> Specify Painted Lens Color: BK (Black), WH (White), BZ (Bronze)

<sup>4</sup> Available in 35 HPS Only

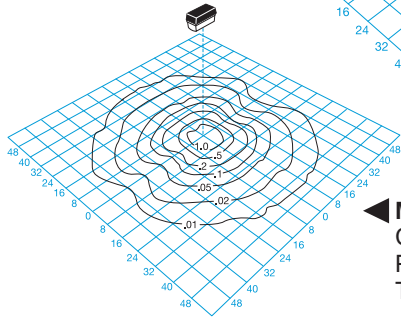
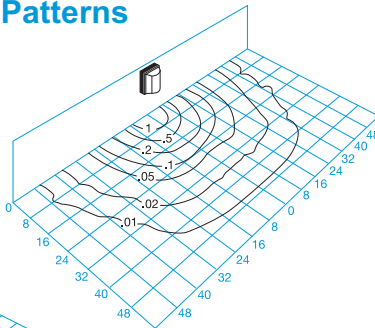
<sup>5</sup> Available in 50HPS

<sup>6</sup> 50 Watt Metal Halide Only

<sup>7</sup> Dry Location Only

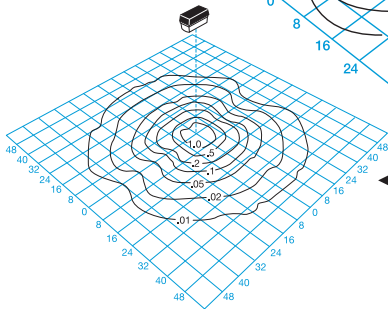
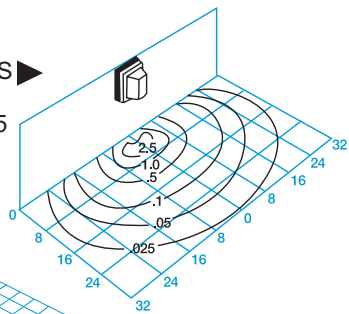
## Light Distribution Patterns

**Model 300-CP-50 MH** ▶  
Wall Mounted 8' M.H.  
Produced From  
Test Report No. 25974



**Model 300-CP-50 MH**  
Ceiling Mounted 8' M.H.  
Produced From  
Test Report No. 25981

**Model 300-CP-70 HPS** ▶  
Based On 8' M.H.  
Test Report No. 25975



**Model 300-CP-70 HPS**  
Based On 8' M.H.  
Test Report No. 25982

## Conversion Tables

Lamp	Lamp Conversion Factor (LCF)	Mounting Height	Height Conversion Factor (HCF)
50 MH	2.52	8'	1.00
70 HPS	1.00	9'	.79
50 HPS	.63	10'	.64
35 HPS	.36	11'	.53
		12'	.45

### Using Conversion Tables

TO ADJUST FOOTCANDLES (FC) SHOWN IN DIAGRAMS AT LEFT, USE ONE OF THE FOLLOWING FORMULAS WITH LAMP CONVERSION FACTOR (LCF) AND HEIGHT CONVERSION FACTOR (HCF):

$FC \times LCF = FC$  with alternate lamp

$FC \times HCF = FC$  at alternate height

$FC \times LCF \times HCF = FC$  with alternate lamp at alternate height

Specifications Subject to Change Without Notice

Luminaire is Warranted to be Free of Defects in Materials and Workmanship for One Year From Invoice Date.

**LENS, HOUSING, AND ALUMINUM BASE PLATE CARRY A LIFETIME GUARANTEE.**

**W.F. Harris Lighting, Inc.**

Innovative Lighting Designs Since 1970

P.O. Box 5023, Monroe, NC 28111-5023, USA

(704) 283-7477 (HEADQUARTERS) • (800) 842-9345 (TOLL FREE)

e-mail: customerservice@wfarris.com

www.wfharrislighting.com



Printed in USA

Form 1547

9/16

*"W. F. Harris Lighting Will Not Sacrifice Quality for the Sake of Price."*