

WHELEN®

Amber Professional
Warning &
Illumination



OFFICIAL WARNING LIGHTS OF
NASCAR

Table
Of
Contents

History of Whelen Engineering Company, Inc.

Beacons
3-8

Dash & Deck
9-11

Mini Lightbars
12-18

Lightbars
19-28

Traffic
Advisor™
29-31

Tracer™
32

Lighthead
33-53

Work Lights
54-56

Controls &
Switches
57

Flashers
58

Back-Up Alarms
58

Wing Plow™
58

Fleet-Rack™
59

DOT Systems
60-64

Lamp Guide,
Certifications,
and
Alphabetical
Index
65-67

1952-1978



1952 George W. Whelen invents the first rotating aircraft "anti-collision" beacon in his garage in Deep River, Connecticut.



1956 The Rota-Beam™, a rotating magnetic mounted automotive beacon is developed for use by Police, Public Works and Fire departments.

1963 Whelen becomes the first in the industry to utilize strobe light technology.

1968 Whelen moves from the garage workshop on Kirtland Street to a facility on Winter Avenue in Deep River.



1975 Whelen releases it's first fully enclosed lightbar, the 6000 Series.



1978 The 8000 Series, a strobe enclosed crossbar, is released.

1983-1998



1983 Whelen introduces the low profile Edge 9000®, the first fully enclosed lightbar with an aluminum I-Beam construction.

1984 Whelen moves from Deep River, Connecticut to its current Corporate Headquarters in Chester, Connecticut.

1987 A second manufacturing plant is added in Charlestown, New Hampshire.

1988 Transformer winding is introduced, using automated winding machines in order to increase part supply.

The tool and die machine shop begins as a servicing shop for parts before they are run in molding. Today, 90% of all molding tools are made in-house from raw steel.



1998 FastTrax™, a lightbar designed to fit the contours of the Pontiac Grand Prix pace car, is released for the 50th anniversary of NASCAR®.

2000-2008

2000 Whelen introduces the Liberty™, the first all LED lightbar.



2003 Whelen implements surface mount technology, in which electric components are deposited on PCB utilizing robotic nozzles. All testing and programming of PCB is done in a continuous automated line.

2004 Whelen develops the Pioneer™ all LED floodlight for Fire Truck and Ambulance applications.



2005 Whelen becomes the entitlement sponsor of the NASCAR® Whelen Modified Tour and the NASCAR Whelen Southern Modified Tour. Whelen also begins sponsorship as the Official Warning Lights of NASCAR.



2007 Sheet metal fabrication is implemented, utilizing lasers to create brackets and a wide variety of metal components used in almost every Whelen product. A 5 axis laser is used to cut complex metal parts that do not come in a flat sheet.

Whelen becomes the entitlement sponsor of the NASCAR Whelen All American Series.

2008 Powder coating technology is implemented, which uses an automated line including washing, drying, applying powder, and oven baking.

2011-2016

2011 The production machine shop opens, housing 26 machines, 5 axis mills, lathes with live tooling, and screw machines. Parts made from raw housing or machined casting go into many finished products.

Hard coating technology develops, which utilizes an automated line where UV, abrasion, and chemical resistant coating is applied to all plastic lensing.

2012 Vacuum metalizing technology develops. Within a sealed chamber, all reflectors are coated with a thin layer of pure vaporized aluminum. Bringing this process in-house yields a 10% increase in light output due to improved surface quality and purity.

2012 Silicone molding is implemented. Still a liquid injected molding process, silicone allows for use of parts that need to be flexible and water resistant. This material is often utilized to make a watertight seal in an assembly.

2013 The next generation Rota-Beam is released.

Whelen becomes the entitlement sponsor of the NASCAR Whelen Euro Series.



2014 Whelen opens the only environmentally friendly printed circuit board manufacturing facility in North America with zero hazardous emissions.

Whelen enters the Off-Road market with the Continuum™ Super-LED lightbar.



2015 Action Express Racing fields the No. 31 Whelen Corvette Daytona Prototype in the 2015 IMSA TUDOR United Sports Car Championship season.



R316 & R416 Series



- SAE Class 1 Certified
- Super-LED® beacon
- Medium profile, smooth polycarbonate outer dome
- Hard-coated lenses minimize environmental damage from sand, sun, salt, and road chemicals
- 100% solid-state electronics
- Conformal coated electronics for moisture and vibration resistance
- Cruise light feature
- Available in permanent, magnetic and magnetic/suction mount models
- Synchronizable with up to 8 other Whelen Synchronous products
- Five year warranty



R316

R416

Model	Mount	Profile	LED Color	Dome Color	Base	Amps	Patterns	VDC
R316*F	Permanent	Low	Single Amber or White	Color	Powder coated cast aluminum	2.25/@ 12 VDC	32 Scan-Lock™ with varying rotating flash rates	12
R316*M	Magnetic							
R316*V	Magnetic/suction							
R316**F	Permanent							
R316**M	Magnetic							
R316**V	Magnetic/suction							
R416*F	Permanent	High	Single Amber or White	Clear			Includes cruise light	24 Available
R416*M	Magnetic							
R416*V	Magnetic/suction							
R416**F	Permanent							
R416**M	Magnetic							
R416**V	Magnetic/suction							

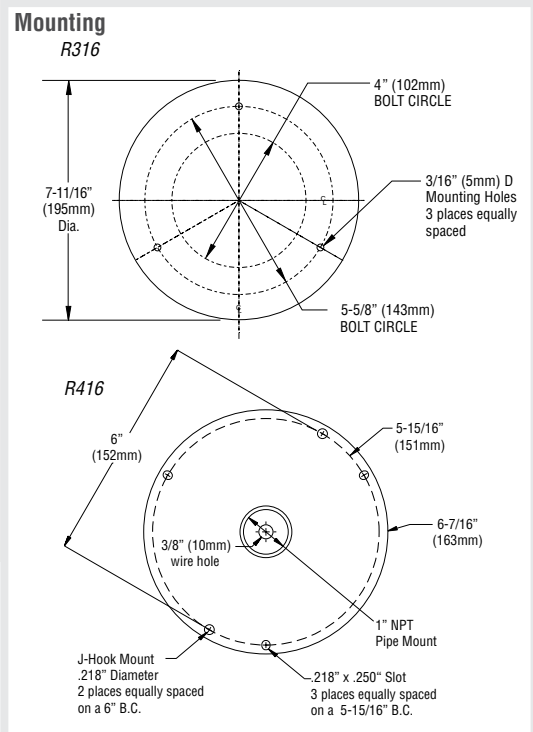
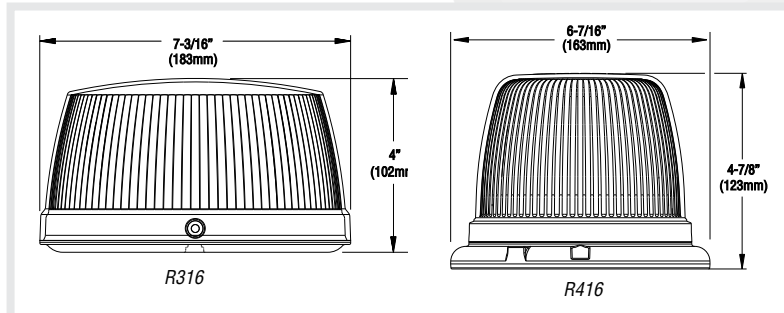
Replace symbol* in model number with letter indicating desired color: A=Amber, C=White



Model	Option Description
BBKT20	Stainless steel shelf mount bracket mounts to flat vertical surface
MIRROR20	Stainless steel West Coast mirror mount bracket
RPHOTO	Photocell for Hi/Low power
L360BGB	Branch guard kit for R316
L40BG	Branch guard kit for R416

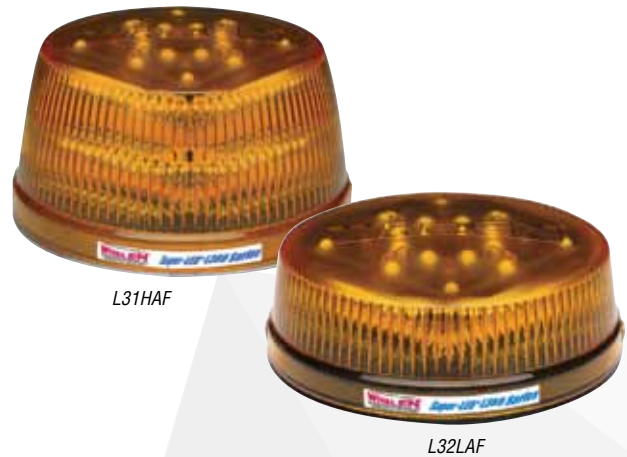
Model	Replacement Dome
R316	68-2984063-*0
R416	68-2986501-*0

* Use 1 for Amber, 3 for Clear



L31 & L32 Series

- SAE Class 1 Certified (Amber)
- L31CA models meet California Title XIII (Amber)
- Super-LED® beacon
- Powder coated die-cast base
- Hard-coated lenses minimize environmental damage from sand, sun, salt, and road chemicals
- Conformal coated electronics for moisture and vibration resistance
- Alternately or simultaneously flash multiple patterns (Cross-Link™) with up to 8 Whelen Super-LED 360° beacons (perm mount)
- Five year warranty



Model	Mount	Profile	Color	Base	Amps	Patterns	VDC	Control	Certification	
L31H*F	Permanent	High	Amber or White	Die cast aluminum	5.0/peak 2.0/avg	Permanent mount 30 built-in Scan-Lock™ flash patterns plus 4 simulated rotating patterns	12	Hi/Low control	SAE Class 1	
L31H*M	Magnetic							-		
L31H*V	Magnetic/suction							-		
L31HAF4	Permanent		Amber					12	Hi/Low control	California Title XIII
L31HAFCA	Permanent								-	
L31HAMCA	Magnetic								-	
L31HAVCA	Magnetic/suction	Low	Amber or White	2.5/peak 1.0/avg	magnetic mount 75 SignalAlert™ only	24	Hi/Low control		SAE Class 1	
L32L*F	Permanent						-			
L32L*M	Magnetic		-							
L32L*V	Magnetic/suction		-							
L32LAF4	Permanent	Amber					Hi/Low control			

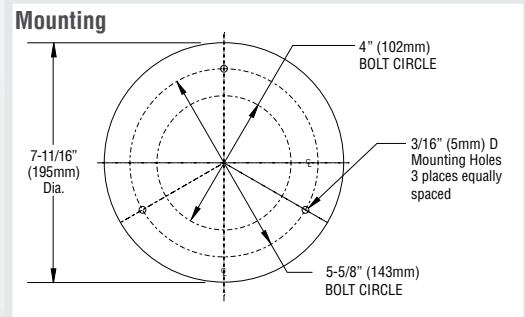
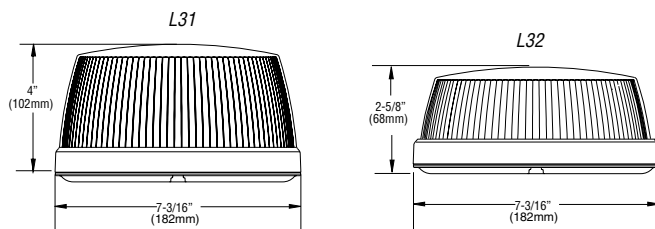
Replace symbol* in model number with letter indicating desired color: A=Amber, C=White



Model	Option Description
L360PMKT	1" NPT pipe mount kit for L31/L32
L360BGB	Branch guard kit for L31 allows 1" NPT pole mounting
MIRROR20	West Coast mirror mount brackets
BBKT30	Stainless steel shelf mount bracket mounts to flat vertical surface

Replacement Dome
68-2984063-*0 (high)
68-2984099-*0 (low)

* Use 1 for Amber, 3 for Clear



BBKT30 flat vertical surface mounting bracket



MIRROR20 mirror mount brackets

L41 Series

- SAE Class 1 Certified (Amber)
- Meets FAA Advisory Circular No. AC 150/5210-5D
- Super-LED® beacon
- Medium profile, smooth polycarbonate outer dome
- Hard-coated lenses minimize environmental damage from sand, sun, salt, and road chemicals
- Fully encapsulated for moisture, vibration and corrosion resistance
- Available in permanent, magnetic and magnetic/suction mounts
- Virtually no RFI/EMI radiation
- Five year warranty



L41AP

Model	Mount	Color	Base	Amps	Patterns	VDC	Control
L41*P	Permanent	Amber or White	Cast aluminum powder coated	1.5/peak 0.6/avg @ 12V	75 SignalAlert™ default, 25 selectable patterns total, including steady-burn	12/24	Photocell Hi/Low on permanent mount only, contact factory
L41*M	Magnetic			.75/peak 0.3/ avg @ 24V			
L41*V	Magnetic/suction						

Replace symbol* in model number with letter indicating desired color: A=Amber, C=White



Model	Option Description
BBKT20	Stainless steel shelf mount bracket mounts to flat vertical surface
MIRROR20	West Coast mirror mount brackets
L40BG	Branch guard



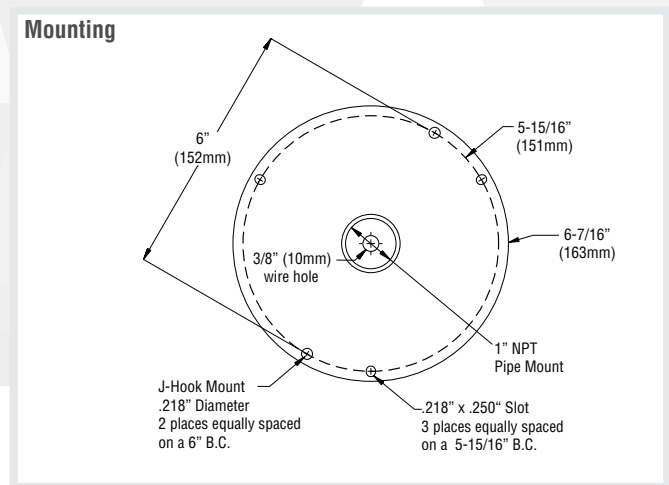
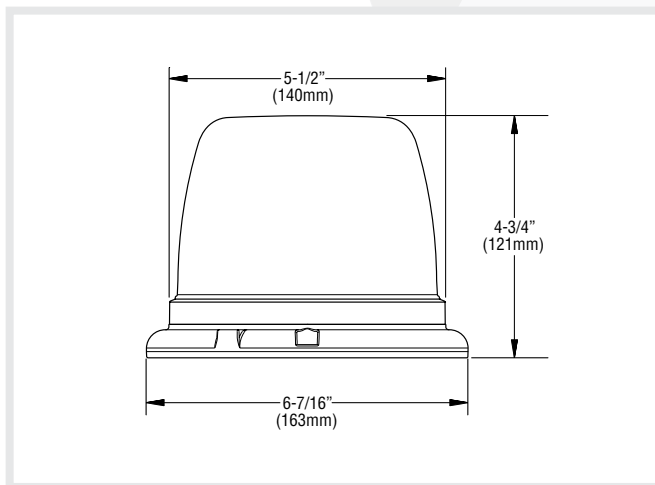
MIRROR20 West coast mirror mount brackets mounts directly on existing mirror brackets



L40BG Branch guard

Replacement Dome
68-2986501-*0

* Use 1 for Amber, 3 for Clear



L10 Series

- SAE Class 1 Certified (Amber)
- Super-LED® beacon
- High and low dome models
- Available in permanent, magnetic and magnetic/suction mounts
- Hard-coated lenses minimize environmental damage from sand, sun, salt, and road chemicals
- Virtually no RFI/EMI radiation
- DUO™ technology features different color LEDs in the same module allowing individual control of each color
- Available in DUO, Amber and White, for other colors contact factory
- Five year warranty



L10LAP



L10HFP

Model	Mount	Profile	Color	Base	Amps	Patterns	VDC					
L10H#P	Permanent/ pipe/hook	High	DUO Amber/White or Amber/Blue	Polycarbonate	1.0/peak 0.4/avg	24 Scan-Lock™ flash patterns plus synchronize feature	12					
L10L#P		Low										
L10H*P			Amber or White									
L10HAP4	Magnetic	High	Amber			Polycarbonate	1.0/peak 0.4/avg	75 SignalAlert™ default pattern	24			
L10HAM												
L10HAV									Magnetic/suction	12		
L10L*P	Permanent/ pipe/hook	Low	Amber or White						Polycarbonate	1.0/peak 0.4/avg	18 flash patterns available	24
L10LAP4												Amber
L10LAM			Magnetic									
L10LAV	Magnetic/suction											

Replace symbol* in model number with letter indicating desired color: A=Amber, C=White
 Replace # in model number with desired DUO color: F=Amber/White, M=Amber/Blue



Model	Option Description
MIRROR20	West Coast mirror mount bracket
BGH	Branch guard, high dome
BGL	Branch guard, low dome
BBKT20	Stainless steel shelf mount bracket, mounts to flat vertical surface
MMK	90 lb. Pull magnetic mount kit with 8' straight cord and plug
LSK	Single lighted switch (15 amp rated), mounted on bracket, wired and fused



MIRROR20 West coast mirror mount brackets mount directly on existing mirror brackets



MMK magnetic mount kit



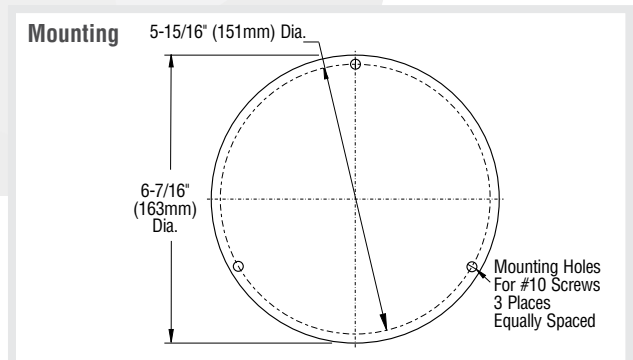
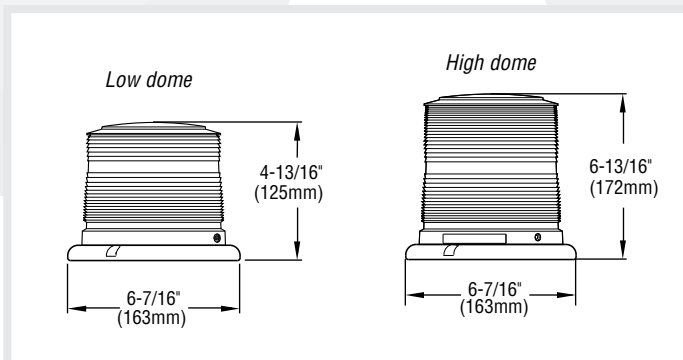
LSK lighted switch



BGH branch guard

Model	Replacement Dome
DH2000*	High dome
DL2000*	Low dome

*Use A for Amber, C for Clear



L21 Series

- SAE Class 1 Certified (Amber)
- Super-LED® beacon
- Hard-coated lenses minimize environmental damage from sand, sun, salt, and road chemicals
- Fully encapsulated for moisture, vibration and corrosion resistance
- Available in combination, magnetic and magnetic/suction mounts
- Virtually no RFI/EMI radiation
- Five year warranty



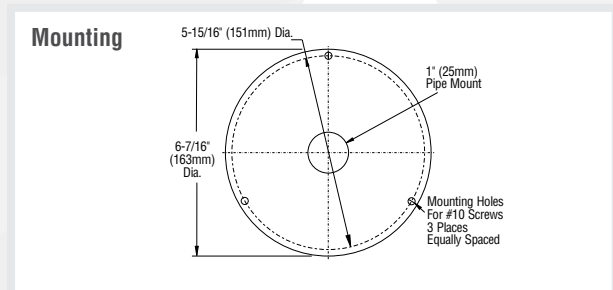
Note: Magnetic and magnetic/suction mounts do not include synchronization or pattern control capabilities.

Model	Mount	Profile	Colors	Base	Amps	Patterns	Sync	VDC	SAE			
L21H*P	Combination	High	Amber & White	Poly-carbonate	1.5/peak 0.60/average @ 12 VDC	25 Scan-Lock™ patterns including steady-burn	Yes	12	J845 Class 1 360° (Amber)			
L21H*M	Magnetic						-					
L21H*V	Magnetic/suction						-					
L21H*P4	Combination						Yes	24				
L21L*P	Combination	Low			Amber & White		Poly-carbonate	0.75/peak 0.30/average @ 24 VDC		25 Scan-Lock™ patterns including steady-burn	-	12
L21L*M	Magnetic										-	
L21L*V	Magnetic/suction										-	
L21L*P4	Combination										Yes	24

Replace symbol* in model number with letter indicating desired color: A = Amber, C = White



Model	Option Description
BBKT20	Stainless steel shelf mount bracket mounts to flat vertical surface
MIRROR20	West Coast mirror mount brackets
MMK	Magnetic kit with 8' cord & plug
BGH	Branch guard, high dome
BGL	Branch guard, low dome
LSK	Lighted switch kit mounted on bracket, wired & fused



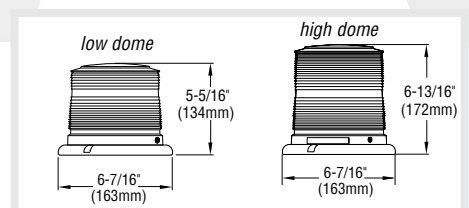
Replacement Dome
DH2000* (High)
DL2000* (Low)



BBKT20 flat vertical surface mounting bracket



MIRROR20 West Coast mirror mount brackets mount directly on existing mirror brackets



*Use A for Amber, C for Clear

L50 Series

- SAE Class 1 Certified (L51 Series)
- SAE Class 3 Certified (L53 Series)
- Super-LED® beacon
- Twist-off polycarbonate dome
- Hard-coated lenses minimize environmental damage from sand, sun, salt, and road chemicals
- Available in permanent and magnetic mount
- L51 available in Amber and White
- L53 available in Amber
- Five year warranty



Model	Mount	Colors	Base	Amps	VDC	Patterns	Encapsulated	SAE
L51*P	Permanent	Amber or White	Polycarbonate	1.5/peak 0.6/avg	12	15 Scan-Lock™	Yes	Class 1
L51*M	Magnetic							
L53AP	Permanent	Amber only		0.4/peak 0.16/avg		75 SignalAlert™ only	-	Class 3 (Amber)
L53AM	Magnetic							

Replace symbol* in model number with letter indicating desired color: A = Amber, C = White



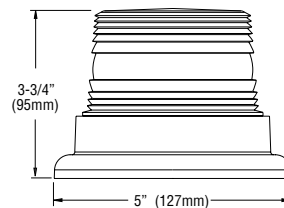
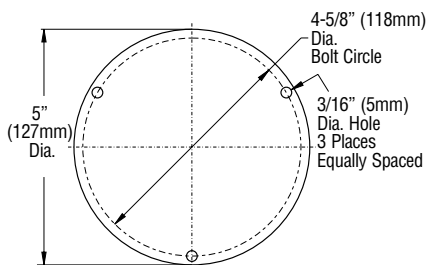
Model	Option Description
MIRROR15	West Coast mirror mount bracket
BBKT15	Stainless steel shelf mount bracket mounts to flat vertical surface



Replacement Dome
D1500*

* Use 1 for Amber, 3 for Clear

Mounting



SpitFire ION™

- SAE Class 1 Certified
- ION Super-LED® interior dash and deck light
- Hard-coated lenses minimize UV damage and resist scratches
- Fully encapsulated for moisture, vibration and corrosion resistance
- Includes universal bracket, windshield suction cup mount
- Includes integral hood and 8' straight cord with cigar plug, On/Off switch with LED "On" indicator and Scan-Lock™ pattern switch
- Five year warranty



SFIONA

Model	Lamp	Amps	VDC	Patterns	Size
SFION*	ION Super-LED	1.0/peak, 0.40/avg	12	25 Scan-Lock	1-5/8" (41mm) H x 3-3/8" (86mm) D x 5-1/8" (130mm) L

Replace symbol* in model number with letter indicating desired color: A = Amber, C = White



Avenger™

- SAE Class 1 Certified
- Single or dual Linear Super-LED interior light
- Snap-on polycarbonate hood
- Hard-coated lenses minimize UV damage and resist scratches
- Mounts via swivel/bail bracket with three suction cups
- AVN models include 10' cord with cigar plug with On/Off switch and pattern selection switch
- Five year warranty



AVN1A

AVNS2AA

Model	Lamp	Cable	Amps	VDC	Patterns	Size (with shroud)
AVN1*	Single	Cigar plug	1.0/peak, 0.40/avg	12	27	2" (50mm) H x 5-1/2" (140mm) D x 5" (127mm) L
AVN2**	Dual		2.0/peak, 0.80/avg		54	2" (50mm) H x 5-1/2" (140mm) D x 9-3/4" (248mm) L
AVNS1*	Single	Synchronized with 4 wire pigtail	1.0/peak, 0.40/avg		34	2" (50mm) H x 5-1/2" (140mm) D x 5" (127mm) L
AVNS2**	Dual		2.0/peak, 0.80/avg		69	2" (50mm) H x 5-1/2" (140mm) D x 9-3/4" (248mm) L

Replace symbol* in model number with letter indicating desired color: A = Amber, C = White



Model	Option Description
AVNBKT1	Low profile mounting bracket for AVN1
AVNBKT2	Low profile mounting bracket for AVN2

Model	Option Description
AVNBKT3	Visor mounting bracket (2 required for dual unit)
AVNBKT4	Adjustable height bracket kit for all models

FlatLighter™

- Visor mount interior light
- Includes Velcro® mounting straps
- Hard-coated lenses minimize UV damage and resist scratches
- Includes 8' straight cord with cigar plug
- Five year warranty



FLLEDAA

Model	Technology	Amps	VDC	Patterns	Size
FLLED**	LED	0.8	12	21 Scan-Lock™	4-1/2" (114mm) H x 1-1/4" (32mm) D x 13" (330mm) L

Replace symbol* in model number with letter indicating desired color: A = Amber, C = White



Option Model	Option Description
43LENS	400 Series color lens, customer installed

SlimLighter™

- SAE Class 1 Certified
- Super-LED® interior light
- Hard-coated lenses minimize UV damage and resist scratches
- Swivel bracket for permanent or suction cup mounting included
- Includes built-in pattern selection button, 10' straight cord w/cigar plug and On/Off switch with LED "On" indicator
- Five year warranty



SLPMMAA

Model	Lamp	Amps	VDC	Patterns	Other
SLPMM**	TIR6™ Super-LED	1.5/peak, 0.6/avg	12	21 Scan-Lock	2" (52mm) H x 1-3/16" (46mm) D x 16-3/8" (416mm) L

Replace symbol* in model number with letter indicating desired color: A = Amber, C = White



Slim-Miser™

- LED interior light
- Hard-coated lenses minimize UV damage and resist scratches
- Includes 10' straight cord with cigar plug, On/Off switch and LED "On" indicator
- Swivel mount with 3 suction cups securely hold dash light to windshield minimizing flashback
- Five year warranty



SMLLAA

Model	Lamp	Amps	VDC	Patterns	Size
SMLLAA	LED	0.33/peak, 0.10/avg	12	18 Scan-Lock	1-5/8" (42mm) H x 2-3/4" (70mm) D x 12-7/8" (326mm) L



Dominator™ & Dominator Plus™ Series

- SAE Class 1 Certified
- Low profile surface mount housing designed for interior or exterior use
- Choice of TIR3™ or LINZ6™ Super-LED® modules
- Hard-coated lenses minimize environmental damage from sand, sun, salt, and road chemicals
- Fully encapsulated for moisture, vibration, and corrosion resistance
- Internal self-contained electronics
- Slide bolt mount
- Extruded aluminum Black powder coated housing
- 12 VDC
- Five year warranty



Model	Lamps	Lamp Type	Amps	VDC	Housing	Cable	Connectors	Patterns	Size H x D	Length
D2AA	2	TIR3	0.44/peak 0.2A/avg per module	12	Rugged extruded aluminum	12" small dia. 4-C #20 AWG	Molex® waterproof	7 Flash patterns and steady on mode	1-3/16" (35mm) H x 2-3/16" (55mm) D	7" (178mm)
D4AAAA	4									14" (356mm)
D6AAAAAA	6									23" (584mm)
D800800	8									30" (762mm)
DP2AA	2	LINZ6	0.75/peak 0.30/avg per module	12	Rugged extruded aluminum	12" small dia. 4-C #20 AWG	Molex® waterproof	Pairs may be synchronized to each other	1-3/16" (35mm) H x 2-3/16" (55mm) D	7" (178mm)
DP4AAAA	4									14" (356mm)
DP600600	6									23" (584mm)
DP800800	8									30" (762mm)

Model	Option Description
DBKT3	Swivel mount bracket kit for D2, DP2, D4 & DP4 series only, customer installed
DBKT4	"L" angle mounting bracket kit, customer installed
DBKT5	Upper rear window mounting bracket kit for 2008-2016 Chevy Tahoe

For Dominator and Dominator Plus Traffic Advisors™ see page 29

Responder® HD Series

- SAE Class 1 Certified (Amber)
- Universal permanent mount version easily retrofits most competitive model footprints
- Hard-coated lenses minimize environmental damage from sand, sun, salt, and road chemicals
- Permanent bolt mount versions include 6" pigtail; magnetic mount and magnetic/suction versions include: 10' straight cord with cigar plug with LED on indicator, On/Off switch and pattern control switch
- Five year warranty



Model	Technology	Color	Mount	Amps	VDC	Patterns	Base	Size
R10HDP*	Super-LED®	Amber or White	Permanent	9.0/peak	12	12 Scan-Lock™	Aluminum	5-1/8" (130mm) H x 6-5/16" (160mm) D x 17-1/4" (438mm) L
R10HDM*			Magnetic			75 SignalAlert™		
R10HDV*			Magnetic/suction					

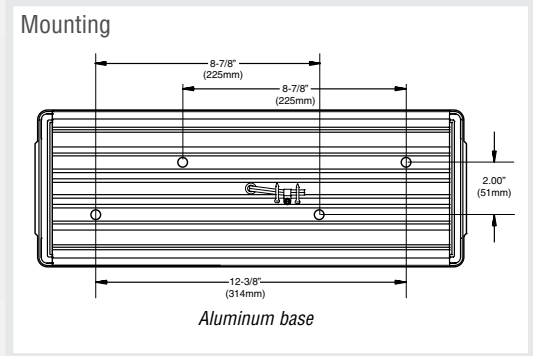
Replace symbol* in model number with letter indicating desired color: A = Amber, C = White



Model	Option Description
RDXMM90	90 lb. pull magnet mount kit with cigar plug
INSTLRDX	Installation of RDXMM90 (for permanent mount only)

Replacement Dome
68-1181893-*0

* Use 1 for Amber, 3 for Clear



Responder® R1LP Series

- SAE Class 1 Certified (Amber)
- Super-LED® low profile conical CON3™ mini lightbar
- Polycarbonate dome
- Hard-coated lenses minimize environmental damage from sand, sun, salt, and road chemicals
- Available with extruded aluminum base or polycarbonate base
- Available in permanent, magnetic and magnetic/suction mount models
- Five year warranty



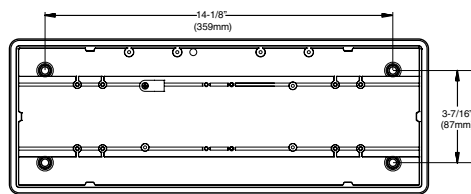
Model	Technology	Color	Dome	Mount	Base	Amps	VDC	Patterns	Size
R1LPPA	CON3 Super-LED	Amber	Amber	Permanent	Poly-carbonate	3.0/peak 1.2/avg	12	30 Scan-Lock™ patterns including 4 simulated rotating patterns (perm mount only)	2-7/8" (74mm) H x 6-5/16" (160mm) D x 17" (432mm) L
R1LPPCA			Clear						
R1LPMA			Amber	Magnetic					
R1LPMCA			Clear						
R1LPVA			Amber	Magnetic/suction					
R1LPVCA			Clear						
R1LPHPA			Amber	Permanent	Aluminum				
R1LPHPCA			Clear						
R1LPHMA			Amber	Magnetic					
R1LPHMCA			Clear						
R1LPHVA			Amber	Magnetic/suction					
R1LPHVCA			Clear						
R1LPPF		Split color Amber/White	Clear	Permanent	Poly-carbonate	3.0/peak 1.2/avg	12	ActionScan™ default for magnetic mount only	2-7/8" (74mm) H x 6-5/16" (160mm) D x 17" (432mm) L
R1LPMF				Magnetic					
R1LPVF				Magnetic/suction					

Replacement Dome
68-2986618-*0

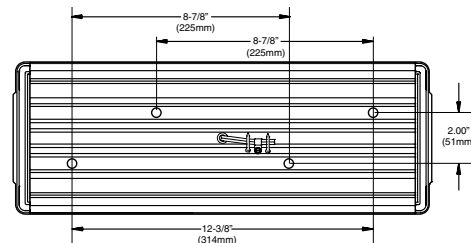
* Use 1 for Amber, 3 for Clear



Mounting



Polycarbonate base



Aluminum base

Mini Century™ Series

- SAE Class 1 Certified
- Extruded aluminum base
- Hard-coated lenses minimize environmental damage from sand, sun, salt, and road chemicals
- Standard current switching with Scan-Lock™ flash patterns and pattern override
- Low profile with compression fit gasket for superior moisture resistance
- Pre-configured lightbars
- Five year warranty



Model	Technology	Modules	Mount	Amps	VDC	Patterns	Dome	Base	Size	
MC11PA	Linear Super-LED® corners	6 Amber	Permanent	3.6/peak 2.2/avg	12	17 Scan-Lock	Amber	Extruded aluminum platform	2-1/2" (64mm) H x 7-1/2" (191mm) D x 11" (279mm) L	
MC11MA			Magnetic							
MC11SA			3/4" (19mm) Stud							
MC16PA	Permanent									
MC16MA	Magnetic									
MC16VA	Magnetic/suction									
MC16SA	TIR6™ Super-LED inboards	4 Amber 4 White	3/4" (19mm) Stud	4.8/peak 3.0/avg					NOTE: Available with Clear domes, Use "CA" suffix or contact factory	2-1/2" (64mm) H x 7-1/2" (191mm) D x 16" (406mm) L
MC16PF			Permanent							
MC16MF			Magnetic							
MC16VF			Magnetic/suction							
MC16SF	3/4" (19mm) Stud									
MC23PA	12 Amber	Permanent	Permanent	7.2/peak 4.4/avg						
MC23MA			Magnetic							
MC23VA			Magnetic/suction							
MC23SA			3/4" (19mm) Stud							

Mini Justice® Series

- SAE Class 1 Certified
- Super-LED CON3™ modules and Linear Super-LED corners
- Hard-coated lenses minimize environmental damage from sand, sun, salt, and road chemicals
- Permanent models includes 15' cable, magnetic and magnetic/suction mount with 10' cord, cigar plug with On/Off switch with LED "On" indicator, and flash pattern switch
- Low profile, only 2-1/4" high
- Five year warranty



Model	Technology	Mount	Amps	VDC	Patterns	Base	Dome	Size
MJY****P	CON3 Super-LED	Permanent	4.0/peak 1.6/avg (4 corners)	12	95 Scan-Lock	Extruded aluminum	Clear	2-1/4" (57mm) H x 12" (304mm) D x 22" (558mm) L
MJY****M		Magnetic						
MJY****V		Magnetic/suction						

Replace symbol* in model number with letter indicating desired color: A = Amber, C = White

Model	Option Description
JDC*	One CON3 Super-LED module
JDH*	One LTR3™, Super-LED module. Use with MJTDAL only

Model	Option Description
MJTDALL1	Four LR11 Super-LEDs, two steady-burn take-downs, and alley lights with 15° horizontal adjustment, for permanent models only

NEW Mini Freedom® IV Series



- SAE Class 1 Certified
- Hard-coated lenses minimize environmental damage from sand, sun, salt, and road chemicals
- Magnetic mount includes cigar plug with On/Off and pattern switches
- Permanent mount includes 15' cable
- Add two front and two rear optional inboard Super-LED® modules
- Clear outer domes with Clear dividers
- Alley and take-down options available for permanent mount models
- Standard permanent mount models provide low power and individual control of front corner, rear corner, and optional front/rear inboard modules
- Color filters available for full customization
- Five year warranty



Model	Technology	Color	Mount	Amps	VDC	Patterns	Base	Dome	Size
F4M****P	Linear Super-LED	Amber or White	Permanent	4	12	58 Scan-Lock™ with external control	Extruded aluminum I-Beam	Clear	3-3/4" (95mm) H x 12-1/2" (318mm) D x 22-1/2" (571mm) L
F4M****M			Magnetic						
F4M*0*0F	Front Facing Linear Super-LED		Permanent	2					

Replace symbol* in model number with letter indicating desired color: A = Amber, C = White



Model	Option Description
F4DL*	One single long 12 Linear Super-LED lighthead, Amber or White
For Permanent Mount Front Facing Only	
F4WA*	One (Alley/Side) facing single short 6 Linear Super-LED lighthead, Amber, or White

Model	Option Description
For Permanent Mount Only	
F4MA3	Two 3-LED Super-LED alley lights, includes harnesses
F4MA6	Two 6-LED Super-LED alley lights, includes harnesses
F4MTL6	Two 6-LED Super-LED long take-down lights, includes harnesses
F4MTATL3	Two 3-LED Super-LED alley lights and two 6-LED Super-LED long take-down lights, includes harnesses
F4MTATL6	Two 6-LED Super-LED alley lights and two 6-LED Super-LED long take-down lights, includes harnesses

NEW Mini Freedom® IV Rota-Beam™

- SAE Class 1 Certified
- Rotating Super-LED® Technology
- 100% solid-state electronics
- Single color corner modules available in Amber or White
- Hard-coated lenses minimize environmental damage from sand, salt, sun, and road chemicals
- Available in permanent mount, includes 15' cable
- Clear outer domes with Clear dividers
- Extruded aluminum platform for long life dependability
- Alley and take-down light options available
- Available with color domes
- Five year warranty



Model	Technology	Color	Mount	Amps	VDC	Patterns	Base	Dome	Size
R4B****P	Rotating Super-LED	Amber or White	Permanent	9	12	10 Scan-Lock™	Extruded aluminum I-Beam	Clear	3-3/4" (95mm) H x 12-1/2" (318mm) D x 23-1/4" (591mm) L
R4B*0*0P	Rotating Super-LED forward facing			4.5					

First and Second * for Driver Side Front and Passenger Side Rear and Third and Fourth * for Driver Side Rear and Passenger Side Front



Model	Option Description
F4RB*	One Rota-Beam module, Amber or White, for inboard front or rear
F4RDL*	One single color long 12 Super-LED DYAD™ lighthead, Amber or White
R4BFLASH	Flasher for front or rear F4RDL*
F4MA3	Two 3-LED alley lights, includes harnesses
F4MA6	Two 6-LED alley lights, includes harnesses
F4RWA*	One single color short 6 Super-LED DYAD light-head, warning for alley light position, Amber or White

Replace symbol* or # in model number with letter indicating desired color:
A = Amber, C = White

Model	Option Description
F4MTL6	Two 6-LED Super-LED long take-down lights, includes harnesses
F4MTATL3	Two 6-LED Super-LED long take-down lights & two 3-LED Super-LED alley lights, includes harnesses
F4MTATL6	Two 6-LED Super-LED long take-down lights & two 6-LED Super-LED alley lights, includes harnesses
R4BEND*	Color end dome for lightbar with center section only
R4BEND#	Color end dome with clear alley window, for lightbar with center section only

Mini Liberty™ II Series

- SAE Class 1 Certified
- Hard-coated lenses minimize environmental damage from sand, salt, sun, and road chemicals
- Permanent mount includes low profile mounting kit
- Permanent mount includes 15' cable
- Magnetic mount includes 90 lb. pull magnets
- Magnetic and magnetic/suction mounts include 10' cord, cigar plug with On/Off switch with LED "On" indicator, and flash pattern switch
- Clear outer lenses standard (optional color lenses available)
- Five year warranty



IT9AAAAP
shown with optional
inboard modules



Model	Technology	Mount	Color	Amps	VDC	Patterns	Base	Size
IT9****P	Linear Super-LED®	Permanent	Amber or White	4.0/peak 1.6/avg	12	58 Scan-Lock™ patterns	Extruded aluminum	2-12" (64mm) H x 11-5/16" (287mm) D x 19-6/16" (490mm) L
IT9****M		Magnetic						
IT9****V		Magnetic/suction						

Replace symbol* in model number with letter indicating desired color: A = Amber, C = White



Model	Option Description
IWDS*	One short Super-LED single color module
ITTS	Two short Super-LED take-down lights, for permanent mount

Model	Option Description
ITA	Two Super-LED alley lights for permanent mount
ITTSA	Two short Super-LED take-down and alley lights for permanent mount

Mini Legacy® Series

- SAE Class 1 Certified
- Hard-coated lenses minimize environmental damage from sand, salt, sun, and road chemicals
- Standard permanent mount model provides low power and individual control of front corner, rear corner and optional inboard modules
- One piece UNI-DOME construction with single sealing point
- Permanent mount includes 15' cable
- Magnetic mount includes 90 lb. pull magnets
- Magnetic and magnetic/suction mounts include 10' cord, cigar plug with On/Off switch with LED "On" indicator, and flash pattern switch
- Clear outer lenses standard (optional color lenses available)
- Five year warranty



GT9AAAM
shown with optional
inboard modules



Model	Technology	Mount	Amps	VDC	Patterns	Base	Size
GT9****P	Linear Super-LED	Permanent	3.72/all on 1.86/per alternating side	12	58 Scan-Lock patterns	Extruded aluminum	1-5/8" (41mm) H x 11-5/16" (287mm) D x 19-6/16" (490mm) L
GT9****M		Magnetic					
GT9****V		Magnetic/suction					

Replace symbol* in model number with letter indicating desired color: A = Amber, C = White



Model	Option Description
GSDS*	One short single color Super-LED module
GTTS	Two Super-LED take-down lights, for permanent mount

Model	Option Description
GTA	Two Super-LED alley lights for permanent mount
GTTSA	Two short Super-LED take-down and alley lights for permanent mount

Legacy[®] Series



GS8AAAA
shown with optional inboard
modules and work lights

SOLO[™] FEATURES

- Single color Linear Super-LED[®]
- Advanced Thermal Design reduces the stress on LEDs during extended dwell time
- One piece UNI-DOME construction with a single sealing point assures lightbar integrity in all weather conditions
- Hard-coated lenses minimize environmental damage from sand, sun, salt, and road chemicals
- Plug & Play into Whelen WeCan[®] controllers
- Clear outer lenses standard (available with color lenses)
- Optional photocell automatically dims the lightbar at night and still meets SAE Class 1 requirements in low power mode
- Optional Traffic Advisor[™] available in single or DUO[™] color
- Many options available, consult current price list or WeCad[™] build-a-bar software
- Five year warranty

SPECS

- 12 VDC
- SOLO Corner Amps - 1.26/peak and 0.50/avg per corner
- **SAE Class 1 Certified**
- Size: 1-5/8" (41mm) H x 11-5/16" (287mm) D

MODELS



Legacy WeCan, Single Color	
GS4****	43-1/4" (110cm), one color
GS8****	48" (123cm), one color
GS2****	53-3/4" (136cm), one color



Replace * symbol in model number with letter indicating color desired: A=Amber, C=White

Additional models and options available, consult price list and/or WeCad software

WeCad is a lightbar designer which allows you to design your own custom lightbar. Once finished, WeCad will generate a bill of materials from which you can place your order. The program is available at: www.whelen.com

DUO+[™] FEATURES

- All warning lightheads are true DUO+, whether one color or two. Each segment can be operated independently or at the same time, without loss of intensity
- Advanced Thermal Design reduces the stress on LEDs during extended dwell time
- One piece UNI-DOME construction with a single sealing point assures lightbar integrity in all weather conditions
- Hard-coated lenses minimize environmental damage from sand, sun, salt, and road chemicals
- Photocell is optional
- Plug & Play into Whelen WeCan controllers
- Clear outer lenses standard
- Optional Traffic Advisor available in single or DUO color
- Many options available; consult current price list or WeCad build-a-bar software
- Five year warranty

SPECS

- 12 VDC
- DUO Corner Amps (each color) - 3/peak and 1.8/avg per corner
- **SAE Class 1 Certified**
- Size: 1-5/8" (41mm) H x 11-5/16" (287mm) D

MODELS



Legacy WeCan, DUO+ Color	
GB4****	43-1/4" (110cm), one color
GB4####	43-1/4" (110cm), two color
GB8****	48" (123cm), one color
GB8####	48" (123cm), two color
GB2****	53-3/4" (136cm), one color
GB2####	53-3/4" (136cm), two color



Replace * symbol in model number with letter indicating color desired: A=Amber, C=White
Replace # in model number with interleaved color desired: F=Amber/White, M=Blue/Amber



Liberty™ II Series (Patent Pending)



IX8AAAA
shown with optional inboard
modules and work lights

- SOLO™** - Single color
- DUO+™** - Single color or two color interleaved

FEATURES

- Single or DUO+ color Linear Super-LED®
- SOLO models available in Low Current or WeCan®, DUO+ models available in WeCan
- Advanced Thermal Design reduces the stress on LEDs during extended dwell time
- Aluminum top repels hail and other environmental damages
- Center dividers with Liquid Injection Molded seals protect internal components from water intrusion
- One piece UNI-DOME construction with a single sealing point assures lightbar integrity in all weather conditions
- Hard-coated lenses minimize environmental damage from sand, sun, salt, and road chemicals
- Plug & Play into Whelen or vehicle manufactured controllers (WeCan only)
- Available with standard or low profile mounting feet
- Available with Clear or color lenses
- Optional photocell automatically dims the lightbar at night and still meets SAE Class 1 requirements in low power mode
- Many options available, consult current price list or WeCad™ build-a-bar software
- Five year warranty

SPECS

- 12 VDC
- SOLO Corner Amps - 2/peak and 0.80/avg per corner
- DUO+ Corner Amps (each color) - 3/peak and 1.2/avg per corner
- **SAE Class 1 Certified**
- Size: 2-1/2" (64mm) H x 11-5/16" (287mm) D

MODELS



Liberty II SOLO Low Current, Single Color	
IX4****	44" (110cm) Single Color, Amber or White
IX8****	48" (123cm) Single Color, Amber or White
IX2****	54" (136cm) Single Color, Amber or White
Liberty II SOLO WeCan, Single Color	
IW4****	44" (110cm) Single Color, Amber or White
IW8****	48" (123cm) Single Color, Amber or White
IW2****	54" (136cm) Single Color, Amber or White



Liberty II DUO+ WeCan, Single Color	
IB4****	44" (110cm) Single Color, Amber or White
IB8****	48" (123cm) Single Color, Amber or White
IB2****	54" (136cm) Single Color, Amber or White
Liberty II DUO+ WeCan, DUO+ color	
IB4####	44" (110cm) DUO+ Color, Amber or White
IB8####	48" (123cm) DUO+ Color, Amber or White
IB2####	54" (136cm) DUO+ Color, Amber or White



Replace * symbol in model number with letter indicating color desired: A=Amber, C=White
 Replace # in model number with interleaved color desired: F=Amber/White, M=Blue/Amber

WeCad is a lightbar designer which allows you to design your own custom lightbar. Once finished, WeCad will generate a bill of materials from which you can place your order. The program is available at: www.whelen.com

NEW Freedom[®] IV DYAD[™] Series



F4W4AAAA
shown with optional inboard
modules and work lights

DYAD - Two Level

FEATURES

- Linear Super-LED[®] technology
- WeCan[®] DYAD two level technology (single or two color) allows for individual control of each level of each lighthead
- Low Current DYAD two level technology (single color) allows for individual control of each lighthead segment (2x2)
- Add up to 16 optional Linear Super-LED directional modules
- Advanced Thermal Design reduces the stress on LEDs during extended dwell time
- Aluminum top repels hail and other environmental damages
- Center dividers with Liquid Injection Molded seals protect internal components from water infiltration
- One piece UNI-DOME construction with a single sealing point assures lightbar integrity in all weather conditions
- 100% solid-state electronics
- Clear outer lenses standard
- Hard-coated lenses minimize environmental damage from sand, sun, salt, and road chemicals
- Plug & Play into Whelen or vehicle manufactured controllers (WeCan only)
- 17' passenger side cable
- Optional photocell automatically dims the lightbar at night and still meets SAE Class 1 requirements in low power mode
- Many options available, consult current price list or WeCad[™] build-a-bar software
- Five year warranty

SPECS

- 12 VDC
- Amps - 1.68/peak and 0.67/avg per corner
- [SAE Class 1 Certified](#)
- Size: 3-3/4" (95mm) H x 12-1/2" (318mm) D

MODELS

Freedom IV DYAD, Low Current	
F4X4****	44-1/2" (113cm)
F4X8****	49-1/4" (125cm)
F4X2****	55" (140cm)
F4X0****	60" (152cm)
F4X7****	72" (183cm)

Freedom IV DYAD, WeCan	
F4W4****	44-1/2" (113cm)
F4W8****	49-1/4" (125cm)
F4W2****	55" (140cm)
F4W0****	60" (152cm)
F4W7****	72" (183cm)

Replace * symbol in model number with letter indicating color desired:
A=Amber, C= White



WeCad is a lightbar designer which allows you to design your own custom lightbar. Once finished, WeCad will generate a bill of materials from which you can place your order. The program is available at: www.whelen.com



Freedom[®] IV Rota-Beam[™] Series



F4R0AAAA
shown with optional inboard
modules and work lights



FEATURES

- Rotating Super-LED[®] technology
- Models include four half corner LED modules, multiple inboard options available
- 100% solid-state electronics
- Extruded aluminum platform
- Hard-coated lenses minimize environmental damage from sand, sun, salt, and road chemicals
- Multiple Scan-Lock[™] flash patterns, some with varying flash rates
- Clear outer lenses, optional color available
- Standard switching
- 20' passenger side cable
- Many options available, consult price list and/or WeCad[™] build-a-bar software
- Available in Amber and White
- Five year warranty

SPECS

- 12 VDC
- Amps per rotator, 1.3/peak and 0.6/avg
- **SAE Class 1 Certified**
- Size: 3-3/4 (95mm) H x 12"-1/2 (318mm) D

MODELS

Freedom IV Rota-Beam, Rotating Modules	
F4R2****	55-1/8" (140cm)
F4R0****	60" (152cm)
F4R7****	72" (183cm)

Replace * symbol in model number with letter indicating color desired:
A=Amber, C= White



WeCad is a lightbar designer which allows you to design your own custom lightbar. Once finished, WeCad will generate a bill of materials from which you can place your order. The program is available at: www.whelen.com

Justice® Series



JE2AAAA
shown with optional inboard
modules and work lights

FEATURES

- Available with 9 or 6 diode Linear Super-LED® corners
- Individual control of each lighthouse
- Plug & Play into Whelen WeCan® or vehicle manufactured controllers
- Extruded aluminum platform and Black polycarbonate base for added strength
- Hard-coated lenses minimize environmental damage from sand, sun, salt, and road chemicals
- Easily upgraded or serviced in the field
- 15' passenger side exit cable
- Available with Clear or color lenses
- Many options available, consult price list and/or WeCad™ build-a-bar software
- Five year warranty

SPECS

- 12 VDC
- 9 diode Linear-LED® Corner Amps, 1.5/peak and 0.6/avg per corner
- 6 diode Linear-LED Corner Amps, 1/peak and 0.4/avg per corner
- **SAE Class 1 Certified**
- Size: 2-1/4 (57mm) H x 12" (304mm) D

MODELS

Justice Low Current, 9 Diode Linear-LED® Corners

JC4****	44" (112cm)
JC8****	50-1/8" (132cm)
JC2****	56-1/4" (152cm)
JC0****	62-3/8" (158cm)

Justice Low Current, 6 Diode Linear-LED Corners

JE4****	44" (112cm)
JE8****	50-1/8" (132cm)
JE2****	56-1/4" (152cm)
JE0****	62-3/8" (158cm)

Justice WeCan, 9 Diode Linear-LED Corners

JV4****	44" (112cm)
JV8****	50-1/8" (132cm)
JV2****	56-1/4" (152cm)
JV0****	62-3/8" (158cm)

Justice WeCan, 6 Diode Linear-LED Corners

JY4****	44" (112cm)
JY8****	50-1/8" (132cm)
JY2****	56-1/4" (152cm)
JY0****	62-3/8" (158cm)

Replace * symbol in model number with letter indicating color desired:
A=Amber, C= White



WeCad is a lightbar designer which allows you to design your own custom lightbar. Once finished, WeCad will generate a bill of materials from which you can place your order. The program is available at: www.whelen.com

Century™ Elite Series



CE4AAA
shown with optional work lights

FEATURES

- Four extended Linear Super-LED® corner modules
- Extruded aluminum platform
- Standard low current switching with multiple Scan-Lock™ flash patterns and pattern override feature
- Front/rear and all bar control
- Hard-coated lenses minimize environmental damage from sand, sun, salt, and road chemicals
- Compression fit gaskets provide moisture resistance
- Clip-Lock™ system allows easy access to lightbar for service or upgrade
- Clear outer lenses, color lenses available
- Optional LIN12™ inboard modules
- Many options available, consult price list and/or WeCad™ software
- Five year warranty

SPECS

- 12 VDC
- 9 diode Linear-LED® Corner Amps, 0.42/peak and 0.4/avg
- **SAE Class 1 Certified**
- Size: 2-1/4" (57mm) H x 8" (207mm) D

MODELS

Century 9 Diode Linear-LED® C	corners
CE4****	44" (112cm)
CE8****	50" (132cm)

Replace * symbol in model number with letter indicating color desired:
A=Amber, C= White



WeCad is a lightbar designer which allows you to design your own custom lightbar. Once finished, WeCad will generate a bill of materials from which you can place your order. The program is available at: www.whelen.com

Towman's™ Series

FEATURES

- SAE Class 1 Certified
- Front/rear warning lights are separately controlled
- Includes rear facing LED brake/tail/turn signals
- Three adjustable slide bolt mount
- Hard-coated lenses minimize environmental damage from sand, sun, salt, and road chemicals
- Many options available, consult price list and/or WeCad™ software
- 12 VDC
- Five year warranty



MODELS

Model No.	Series	Length	Size H x D	Lighting	Inboard Warning Lights	Patterns	Base	Lenses
IWOBAAAA	Liberty™ II	60" (154cm)	2-1/2" (64mm) H x 11-5/16 (287mm) D	4 Linear-LED® corners 2 Super-LED® work lights, 2 LED brake/tail/turn lights	2/Front, 4/Rear	WeCan®	Extruded aluminum I-Beam	Clear
CWOBAAA	Century™		2-1/4" (57mm) H x 12" (304mm) D		4 Amber Linear-LEDs (2/Front, 2/Rear)	Action-Scan™		Color lenses standard
F4OBAAAA	Freedom® IV		3-3/4" (95mm) H x 12-1/2" (318mm) D	4 Bi-level Linear-LED corners 2 Super-LED work lights, 2 LED brake/tail/turn lights	2/Front, 6/Rear (add up to 12 optional linear lightheads in pairs)	75 Signal-Alert™		
JFOTAAAA	Justice®	62-3/8" (158cm)	2-1/4" (57mm) H x 12" (304mm) D	4 Linear-LED corners 2 Super-LED work lights, 2 LED brake/tail/turn lights	Optional*	Action-Scan	Black polycarbonate base on extruded aluminum platform	Clear outer standard, color available
JFOBAAAA					6 Amber CON3™*			
JFODAAAA					5 Amber CON3* & Traffic Advisor™			
JFOFAAA					16 Amber CON3s & brake/tail/turn			

* Note: Can also add options. Special order Red or Blue

OPTIONS

Liberty II Options	
Model	Description
IWDLA	Long 6 Super-LED lighthead, Amber
IWDSA	Short 3 Super-LED lighthead, Amber

Century Options	
Model	Description
CEDLXA	One LIN12, Amber
CDT6A	One TIR6, Amber

Freedom IV Options	
Model	Description
F4EDLA	One single color long economy DYAD™ Lighthead, Amber

Justice Options	
Model	Description
JDC*	One CON3

See Page 57 for Power Control Centers and Switches

NEW Inner Edge® RTX Series



SOLO™ - Single color
DUO™ - Two color interleaved

FEATURES

- Available with SOLO, or DUO, interleaved linear Super-LED® light modules
- **NEW** Traffic Advisor™ model with 2 end flashers
- Drop-in lighthouse tray is universal, allowing for easy serviceability
- Vehicle specific housing minimizes flashback to vehicle passengers
- Meets SAE Class 1 and California Title XIII specifications
- Extra low profile, fully featured interior lightbars designed to blend with vehicles existing interior
- Hard-coated lenses minimize UV damage and resist scratches
- Five year warranty

Trays	
ISTRAY6	6 Lamp tray for SOLO lighthoods
ISTRAY8	8 Lamp tray for SOLO lighthoods
ISTRAY10	10 lamp tray for SOLO lighthoods
ISTRAYT	NEW 8 Lamp tray, 6 lamp Traffic Advisor with 2 end flashers
IDTRAY6	6 Lamp tray for DUO lighthoods
IDTRAY8	8 Lamp tray for DUO lighthoods
IDTRAY10	10 lamp tray for DUO lighthoods

Lighthoods	
IES*	One SOLO lighthouse, Amber, or White
IEDF	One DUO lighthouse, Amber/White

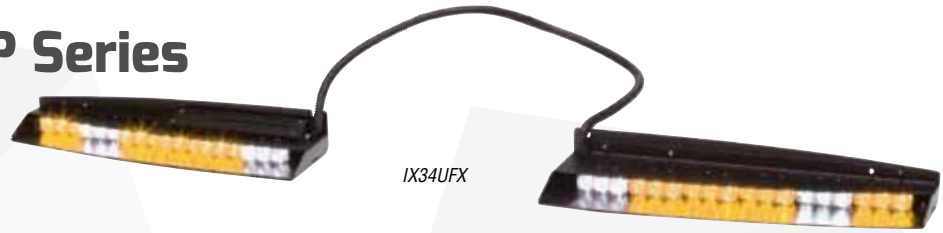


Replace * symbol in model number with letter indicating color desired: A=Amber, C=White

MODELS

Vehicle Specific Housing and Mounts	
IE45UR8	Chevy Tahoe/Suburban, 2015-2016, upper rear housing for six or eight modules

Inner Edge® XLP Series



FEATURES

- Extra low profile, fully featured interior lightbars designed to blend with vehicles existing interior
- Available in 3-LED and 6-LED DUO+™ models
- DUO technology features your choice of warning color interleaved with White illumination in each light module
- Available in WeCan® or Low Current controlled models
- WeCan offers individual control of each warning portion of each module and controls groups of three White take-down light portions of the module. Low Current offers individual control of the warning or the take-down

- Meets SAE Class 1 and California Title XIII specifications
- Hard-coated lenses minimize UV damage and resist scratches
- Requires customer supplied switches or control head, purchased separately
- Five year warranty

WeCad is a lightbar designer which allows you to design your own custom lightbar. Once finished, WeCad will generate a bill of materials from which you can place your order. The program is available at: www.whelen.com

MODELS

Chevrolet	Dodge			Ford		
Suburban/Tahoe 2015-2016 Silverado 1500/2500/3500 2014-2016	Dodge Ram 2011-2016	Dodge Durango 2013-2016	Explorer 2011-2017	F150 2015-2016	F250/F350 2012-2016	Expedition 2013-2016

UPPER FRONT SERIES - 3-LED

Five lamp, upper front passenger side unit only, with one LED flashing/work light

IX45UF5P	IX42UF5P	IX44UF5P	IX34UF5P	IX41UF4P	IX39UF5P	IX08UF5P
----------	----------	----------	----------	----------	----------	----------

Six lamps, upper front passenger side unit only (no work light)

IX45UF6P	IX42UF6P	IX44UF6P	IX34UF6P	IX41UF5P	IX39UF6P	IX08UF6P
----------	----------	----------	----------	----------	----------	----------

Ten lamps, upper front two piece unit, individual driver and passenger side units, with two LED flashing/work lights

IX45UFZ	IX42UFZ	IX44UFZ	IX34UFZ	IX41UFZ	IX39UFZ	IX08UFZ
---------	---------	---------	---------	---------	---------	---------

Twelve lamps, upper front two piece unit, individual driver and passenger side units (no work lights)

IX45UFX	IX42UFX	IX44UFX	IX34UFX	IX41UFX	IX39UFX	IX08UFX
---------	---------	---------	---------	---------	---------	---------



DUO+ 6-LED UPPER FRONT SERIES - WeCAN

Six 6-LED DUO lamps, upper front passenger side unit only

IW45UF6P	IW42UF6P	IW44UF6P	IW34UF6P	IW41UF6P	IW39UF6P	IW08UF6P
----------	----------	----------	----------	----------	----------	----------

Twelve 6-LED DUO lamps, upper front two piece unit, individual driver and passenger side units

IW45UFX	IW42UFX	IW44UFX	IW34UFX	IW41UFX	IW39UFX	IW08UFX
---------	---------	---------	---------	---------	---------	---------



DUO+ 6-LED UPPER FRONT SERIES - LOW CURRENT

Six 6-LED DUO lamps, upper front passenger side unit only

ID45UF6P	ID42UF6P	ID44UF6P	ID34UF6P	ID41UF6P	ID39UF6P	ID08UF6P
----------	----------	----------	----------	----------	----------	----------

Twelve 6-LED DUO lamps, upper front two piece unit, individual driver and passenger side units

ID45UFX	ID42UFX	ID44UFX	ID34UFX	ID41UFX	ID39UFX	ID08UFX
---------	---------	---------	---------	---------	---------	---------



Outer Edge® Series



FEATURES

- Lighthoods are fully encapsulated for moisture, vibration, and corrosion resistance
- Hard-coated lenses minimize environmental damage from sand, sun, salt, and road chemicals
- Meets or exceeds SAE J845, SAE J595, and California Title XIII specifications
- Five year warranty

Rear Facing

- Two independent powder coated housings mount easily to the rear spoiler with screws
- Each housing supports three Micron™ lighthoods
- Traffic Advisor™ models include a control module

Rear Pillar

- Vehicle specific vacuum formed housings conform to vehicle back pillars
- Three Micron lighthoods mount above each brake/tail/turn assembly

MODELS

Model	Series	Type	Lighthoods	Vehicle	VDC	Patterns
OE45UR6	Rear Facing	Warning	3 Micron Super-LED® lighthoods per section	Chevy Tahoe, 2015-2016	12	25 Scan-Lock™
OE45UR6T		Traffic Advisor				
RP45	Rear Pillar	Warning				

Model	Lighthouse Description
OEMCRN*	Warning Lighthouse
OEMCTA*	Traffic Advisor Lighthouse

Replace * symbol in model number with letter indicating color desired: A=Amber, C=White

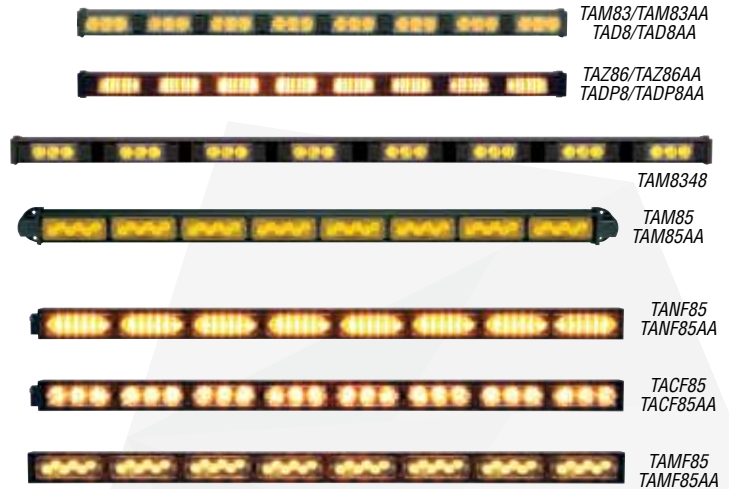
Note: All Outer Edge orders require a corresponding Outer Edge worksheet which can be provided by your sales representative or local distributor



Traffic Advisor™ Straight Style



- 15' cable standard, extra length cables available
- Black extruded aluminum housing
- Long life LED operation with low current draw and low operating temperature
- Hard-coated lenses minimize environmental damage from sand, sun, salt, and road chemicals
- Fully encapsulated for moisture, vibration, and corrosion resistance
- Includes control head (not TAD models)
- Four operating modes; left, right, split & flashing
- Rear dip switch provides 8 flash pattern choices
- Interior or exterior applications
- Five year warranty



Model	Technology	Modules	End Flasher	Mount	Control Head	VDC	Housing	Size H x D	Length												
TAM63	TIR3™	6	-	Surface/ slide bolt	TACTL5 included	12	Extreme low profile, one piece	1-3/4" (44mm) H x 2-3/16" (55mm) D	23" (58cm)												
TAM83		8	Yes						30-7/8" (78cm)												
TAM83AA									48" (122cm)												
TAM8348		23" (58cm)																			
TAD6	TIR3 Dominator™ Series	6	-		Requires optional TADCTL1 or customer supplied switches				12	Extreme low profile, one piece	1-3/4" (44mm) H x 2-3/16" (55mm) D	30-7/8" (78cm)									
TAD8		8	Yes									23" (58cm)									
TAD8AA												30-7/8" (78cm)									
TADP6	LINZ6™ Dominator Plus™ Series	6	-		Surface/ thru-bolt endcaps				TACTL5 included	12	Low profile flat style, one piece	2-7/8" (73mm) H x 2-1/4" (57mm) D	23" (58cm)								
TADP8		8	Yes										30-7/8" (78cm)								
TADP8AA													23" (58cm)								
TAZ66	LINZ6	6	-						Surface/ thru-bolt endcaps				TACTL5 included	12	Low profile flat style, one piece	2-7/8" (73mm) H x 2-1/4" (57mm) D	30-7/8" (78cm)				
TAZ86		8	Yes														23" (58cm)				
TAZ86AA				30-7/8" (78cm)																	
TAM65	500 Series TIR6™	6	-	Surface/ thru-bolt endcaps		TACTL5 included	12	Low profile flat style, one piece					2-7/8" (73mm) H x 2-1/4" (57mm) D				36" (91cm)				
TAM85		8	Yes														46-7/8" (119cm)				
TAM85AA																	34" (86cm)				
TANF65	500 Series Linear-LED®	8	-			Surface/ thru-bolt endcaps											TACTL5 included	12	Front load rectangular, one piece	2-3/8" (60mm) H x 2-3/8" (60mm) D	45-1/8" (115cm)
TANF85			Yes																		46-7/8" (119cm)
TANF85AA			-																		45-1/8" (115cm)
TAMF85	TIR6 500 Series	8	-		Surface/ thru-bolt endcaps					TACTL5 included	12	Front load rectangular, one piece					2-3/8" (60mm) H x 2-3/8" (60mm) D				46-7/8" (119cm)
TAMF85AA			Yes																		45-1/8" (115cm)
TACF85			-																		46-7/8" (119cm)
TACF85AA	CON3™ front load	8	Yes						Surface/ thru-bolt endcaps	TACTL5 included				12	Front load rectangular, one piece	2-3/8" (60mm) H x 2-3/8" (60mm) D					45-1/8" (115cm)

Model	Option Description
TADCTL1	Control head for TAD/TADP Dominator Traffic Advisor only
TADSW1	On/Off non-lighted SPDT 20 amp switch for TADCTL1 Dominator control head
TADSW2	On/Off/On non-lighted SPDT 20 amp switch for TADCTL1 Dominator control head

Model	Option Description
TACTL5	NEW Control head only, programmable for 6 & 8 lamp LED Traffic Advisor, includes auxiliary On/Off switch. Meets federal standards
DELTALD1	Delete TACTL5 from 6-8 lamp LED Traffic Advisor
TANBKT1	Mount for top of vehicle for TACF85 and TANF85 horizontal mount



Traffic Advisor™ Straight Style

- **NEW** Economical TAC8 Series with front load Super-LED® sealed modules, includes control head with nine directional sequences and nine Scan-Lock™ flash patterns and cable lengths of 15', 30', and 50'
- Black extruded aluminum housing
- Hard-coated lenses minimize environmental damage from sand, sun, salt, and road chemicals
- Four operating modes; left, right, split & flashing
- Rear dip switch provides 8 flash pattern choices
- Interior or exterior applications
- 12 VDC
- Five year warranty

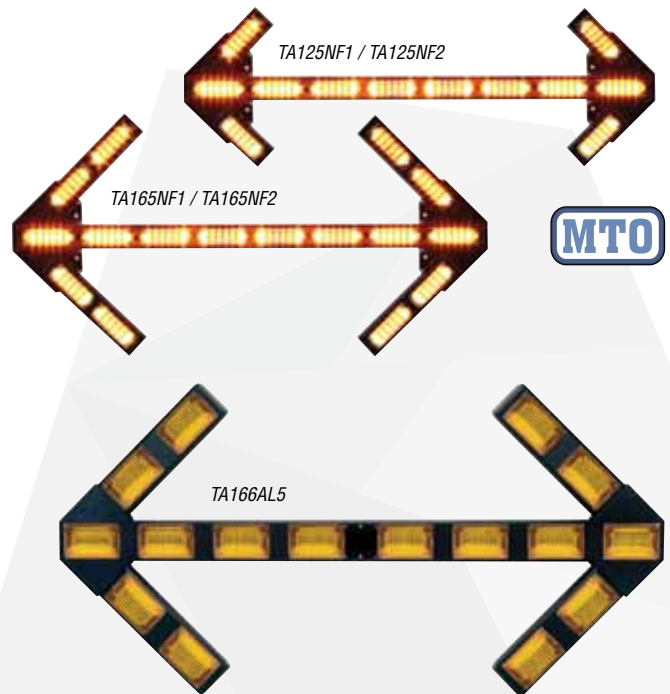


Model	Technology	Modules	Mount	Control Head	Housing	Encapsulated	Cable	Size: H x D	Length
TAL65	500 Series LED	6	Surface thru-bolt or integral fasteners on back	TACTL5 included	Low profile flat style	Yes	15'	2-7/8" (73mm) H x 2-1/4" (57mm)D	36" (91cm)
TAL85		8				Yes			46-7/8" (119cm)
TAC815	Super-LED	8	Slide bolt via top, rear, or bottom channel	TAC8 included	Rectangular	-	15'	Light array: 2" (50mm) H x 2-5/8" (67mm) D Control Head: 3" (76mm) H x 5-7/8" (149mm) W x 7/8" (22mm) D	47-3/4" (121cm)
TAC830							30'		
TAC850							50'		

Model	Option Description
TACTL5	NEW Control head only programmable for 6 & 8 lamp LED Traffic Advisor, includes auxiliary On/Off switch. Meets federal standards
DELTALD1	Delete TACTL5 from 6-8 lamp LED Traffic Advisor

Traffic Advisor™ Arrow Style

- Sixteen lamp versions meet MUTC2009 specifications when mounted on appropriate backboard
- Hard-coated lenses minimize environmental damage from sand, sun, salt, and road chemicals
- Black extruded aluminum housing
- LEDs are rated for thousands of hours of operation
- Four operating modes; left, right, split & flashing
- Rear dip switch provides 8 flash pattern choices
- Hi/Low intensity control
- 12 VDC
- Custom cable lengths, contact factory
- Five year warranty



Model	Technology	Modules	Module Size	Cable	Mount	Control Head	Housing	Size
TA125NF1	500 Series Front Load LED	12	5" x 2"	25'	Surface mount/ slide bolt	TACTL6 included	One piece	15" (381mm) H x 3-1/2" (89mm) D x 46" (117cm) L
TA125NF2				50'				23" (584mm) H x 3-1/2" (89mm) D x 46" (117cm) L
TA165NF1		16		25'			Large one piece	36-1/2" (927mm) H x 4" (102mm) D x 5-1/2' (167cm) L
TA165NF2				50'				
TA166AL5	600 Series LED	16	6" x 4"	40'				

Model	Option Description
TACTL6	NEW Control head only, programmable for 16 lamp LED Traffic Advisor. Meets Federal standards

NEW Tracer™ Series

- T R A C E R -



Engineered to increase vehicle visibility, the all new Tracer is designed from the ground up, utilizing Whelen's Super-LED® technology to provide high intensity warning and illumination.

Sleek vehicle specific mounting brackets conform to vehicle rocker panels and the universal mounting bracket kit will mount Tracer to a variety of applications. The durable clamshell design allows for easy reconfiguration and serviceability

- Available in SOLO™ (single color), DUO™ (two color interleaved) modules
- Lighthoods are daisy-chained together in lengths from 1 to 6 modules using the provided extrusion
- 30 Scan-Lock™ flash patterns
- SOLO models include Traffic-Advisor™ in 4-6 lamp versions
- DUO models feature steady override, such as White steady-burn
- DUO models can be synced to other Whelen sync products

- Cruise light control includes seven adjustable intensity levels
- Custom light configuration choices are achieved via the mode control wire
- Hard-coated lenses minimize environmental damage from sand, sun, salt, and road chemicals
- Easily serviceable clamshell design
- Mounts easily via slide bolt with vehicle specific brackets or universal "L" brackets
- Includes 15' cable with fully encapsulated in-line lamp driver
- SAE Class 1 Certified
- IP67 rated for dust and water resistance
- 12 VDC
- 0.5 amps peak per module
- Size, single module: .75" (19mm) H x 1.75" (44.45mm) D x 12.5" (317.5mm) L
- Five year warranty

SOLO	
TCRHS1	1 Lamp Housing
TCRHS2	2 Lamp Housing
TCRHS3	3 Lamp Housing
TCRHS4	4 Lamp Housing
TCRHS5	5 Lamp Housing
TCRHS6	6 Lamp Housing
TCRL*	Amber or White SOLO lighthouse

DUO	
TCRHD1	1 Lamp Housing
TCRHD2	2 Lamp Housing
TCRHD3	3 Lamp Housing
TCRHD4	4 Lamp Housing
TCRHD5	5 Lamp Housing
TCRHD6	6 Lamp Housing
TCRL*	Amber and/or White DUO lighthouse

Replace symbol * in model number with letter indicating color desired:
A = Amber, C = White



Replace symbol * in model number with letter indicating color desired:
A = Amber, C = White



Mounting	
TCRB45A	2015-2016 Chevy Silverado 1500 Crew Cab running board mounting kit for 6 lamp housing
TCRB45	2009-2016 Chevy Tahoe running board mounting kit for 5 lamp housing
TCRB44	2013-2016 Dodge Durango running board mounting kit for 5 lamp housing
TCRB42	2015-2016 Dodge Ram 1500 Crew Cab running board mounting kit for 6 lamp housing

Mounting	
TCRB47	2015-2016 Ford F-150 super crew running board mounting kit for 6 lamp housing
TCRB39	2015-2016 Ford F-250/350 running board mounting kit for 6 lamp housing
TCRLBKT	1 "L" bracket and hardware, order 1 more bracket than the number of lamps

NOTE: All SUV and pickup trucks must have factory running boards

V23, M2, & M4 Series

- Available with a patented Linear-LED® designed reflector assembly
- Hard-coated lenses minimize environmental damage from sand, sun, salt, and road chemicals
- Surface mount via two screws
- Lens and reflector are a sealed assembly
- Synchronize to other Whelen sync products
- Built-in flasher models are synchronizable
- Includes California Title XIII compliant flash patterns
- M4 models available in 24 Volt, contact factory
- Five year warranty



Model	Optic	Technology	Color	Lens	VDC	Flasher	Patterns	Amps	Certs	Size
V23*TPB	V-Series™ (includes Black flange)	Super-LED®	A, W warning with W illumination	Clear	12	Built-in	26 Scan-Lock™	Warning 0.76/peak 0.30/avg, Take-down 0.62, Perimeter 0.12	C D	2-11/16" (68mm) H x 1-1/2" (38mm) D x 4-1/4" (109mm) L
V23*TPC	V-Series™ (includes Chrome flange)			Color						
M2*	Directional		A, W	Color			1/peak 0.45/avg	B C D	2-1/2" (64mm) H x 4" (102mm) W x 1" (25mm) D	
M2*C				Clear						
M2F			Split A/W	Clear						
M2W*	Wide-angle		A, W	Color			26 Scan-Lock including steady-burn	1.5/peak 0.6/avg	B C D	
M2W*C				Clear						
M4*	Directional		A, W	Color			125 Scan-Lock	1.5/peak 0.6/avg	B C D	
M4*C				Clear						
M4F			Split A/W	Clear			69 Scan-Lock	-	-	
M4*S		A, W	Color							
M4*CS				Requires flasher (Purchased separately)						
M4V2*	V-Series	A, W warning with W illumination	Clear	Built-in	25 Scan-Lock	Warning 1.0/peak 0.40/avg, Perimeter 0.77	C D	3-3/8" (86mm) H x 1-7/8" (47mm) D x 5-1/2" (138mm) L		

Replace * symbol in model number with letter indicating color desired: A=Amber, C=White



Model				Option Description
V23	M2	M4	M4V2	
-	M2FC	M4FC	M4FC	Flange, Chrome
-	M2FB	M4FB	M4FB	Flange, Black
-	-	M4BRUSH	-	Brush guard, Black
-	-	M4FC400	M4FC400	Flange, Chrome, adapts M Series to 400 Series style lightheads
V23PEDB	M2PEDB	-	-	Pedestal mount kit, Black
V23PEDC	M2PEDC	-	-	Pedestal mount kit, Chrome
-	M2GROM	-	-	Grommet mount kit
-	-	M4CT15B	-	Fog light mount for 2015-2016 Chevy Tahoe, pair, Black
-	-	M4FF15B	-	Fog light mount, stainless steel, for 2015-2016 Ford F-150, pair, Black
V23P20B	-	-	-	Angled surface mount, Black
V23P20C	-	-	-	Angled surface mount, Chrome
-	-	M4TM15B	-	Mirror mount, Ford Transit 2015-2016, pair, Black
-	-	M4TB15B	-	Front lower side mount, Ford Transit 2015-2016, pair, Black



M6 & M7 Series

- **NEW** Front and rear pods hold M6 lightheads for the Ford Transit Medium or High roof
- Available in warning and warning with perimeter lighting
- **NEW** Split models available
- Patented Linear-LED® designed reflector assembly
- Hard-coated lenses minimize environmental damage from the sun, salt and road chemicals
- Surface mounted via two screws
- Built-in flasher models are synchronizable
- Choose solid, left/right, top/bottom, in/out, or diagonal sequencing
- Meets SAE, and EC65 specifications
- Includes California Title XIII compliant flash patterns
- Five-year warranty

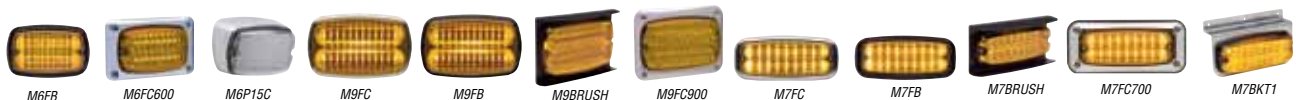


Model	Optics	LED Color	Colors	Lens	VDC	Flasher	Patterns	Amps	Certs	Lighthead Size			
M6*	Directional	Single color	A, W	Color	12	Built-in	159 Scan-Lock™	2.25/peak 0.9/avg	B (R/B) C (R/A/B)	4-5/16" (109mm) H x 1-3/8" (35mm) D x 6-3/4" (170mm) L			
M6*C				Clear			64 Scan-Lock						
M6F		Split color	A/W	Clear		Requires flasher <small>purchased separately</small>	-						
M6*S		Single color	A, W	Color		Built-in	Warning has 25 Scan-Lock				Warning 1.5/peak 0.60/avg perimeter 0.77	B (A/B/R) C (A/B/R/W) D (A/B/R/W)	4-5/16" (109mm) H x 2-1/4" (57mm) D x 6-3/4" (170mm) L
M6*CS				Clear									
M6V2*	Combination warning and perimeter illumination	Single color warning, White illumination	A, W	Color for warning, Clear for illumination		Built-in	159 Scan-Lock	2.25/peak 0.9/avg	B (R/A/B) C (R/A/B) D	3-3/8" (86mm) H x 1-3/8" (35mm) D x 7-5/8" (194mm) L			
M6V2*C				Clear									
M7*	Directional	Single color	A/W	Color		12	Built-in	159 Scan-Lock	2.25/peak 0.9/avg	B (R/A/B) C (R/A/B) D	3-3/8" (86mm) H x 1-3/8" (35mm) D x 7-5/8" (194mm) L		
M7*C				Clear				64 Scan-Lock					
M7F		Split color	A/W	Clear			Requires flasher <small>purchased separately</small>	-					
M7*S		Single color	A, W	Color	Built-in		159 Scan-Lock	2.25/peak 0.9/avg				B (R/A/B) C (R/A/B) D	3-3/8" (86mm) H x 1-3/8" (35mm) D x 7-5/8" (194mm) L
M7*CS				Clear									

Replace symbol* in model number with letter indicating color desired: A=Amber, C=White



Model			Option Description
M6	M6V2	M7	
M6FC	M6FC	M7FC	Chrome plated flange
M6FB	M6FB	M7FB	Black flange
M6BRUSH	-	M7BRUSH	Black brush guard
M6FC600	M6FC600	M7FC900	Chrome flange, adapts M Series to 600 and 700 Series style lightheads
M6P15C	-	-	Chrome 15° angled surface mount housing
M6P15B	-	-	Black 15° angled surface mount housing
-	-	M7BKT1	Universal bracket for one lighthead
M6FCV2	-	-	Chrome flange for two M6 lightheads, vertical (lightheads purchased separately)
M6FCV3	-	-	Chrome flange for three M6 lightheads, vertical (lightheads purchased separately)
M6FCV4	-	-	Chrome flange for four M6 lightheads, vertical (lightheads purchased separately)
-	M6PTM5F	-	Front light pod for 8 M6 lightheads, Medium roof, Ford Transit 2015-2016
-	M6PTH5F	-	Front light pod for 8 M6 lightheads, High roof, Ford Transit 2015-2016
-	M6PT5R	-	Rear light pod for 6 M6 lightheads, Medium or High roof, Ford Transit 2015-2016



M9 Series

- **NEW** DUO™ models feature independent control of color one and color two
- **NEW** Combination warning/scenelight with sync and Hi/Low feature
- Available in warning and warning with scenelight models
- Patented Linear-LED® designed reflector assembly
- Hard-coated lenses minimize environmental damage from sand, sun, salt, and road chemicals
- Surface mounted via two screws
- Built-in flasher models are synchronizable
- Choose solid, left/right, top/bottom, in/out, or diagonal sequencing
- Meets SAE, and EC65 specifications
- Includes California Title XIII compliant flash patterns
- Five year warranty



Model	Optics	Technology	Colors	Lens	VDC	Flasher	Patterns	Amps	Certs	Size
M9*	Directional	Single color	A, W	Color	12	Built-in	159 Scan-Lock™	3/peak 1.2/avg	B (R/B) C (R/A/B) D	6-1/2" (165mm) H x 1-3/8" (35mm) D x 10-3/8" (263mm) L
M9*C				Clear			64 Scan-Lock			
M9F		Split color	A/W	Clear		Requires flasher <small>purchased separately</small>	-			
M9*S		Single color	A, W	Color						
M9*CS				Clear						
M92F		DUO	Two color	A/W		Clear	Built-in	33 Scan-Lock		
M9*CZ	Combo	Color warning and scenelight	A/W	Clear	25 Scan-Lock	Warning 2.4/peak 0.96/avg scenelight 2.4 amps				
M9V2*	V-Series™ (includes chrome flange)	Single color warning, White illumination	A, W	Color for warning, Clear for illumination	12	Built-in	25 Scan-Lock	Warning 2.4/peak 0.96/avg scenelight 2.4 amps	B (A) C (A,W) D (A,W)	6-1/2" (165mm) H x 2-5/8" (66mm) D x 10-3/8" (263mm) L
M9V2*C				Clear						

Replace symbol* in model number with letter indicating color desired: A=Amber, C=White



Model		Option Description
M9	M9V2	
M9FC	-	Chrome plated flange
M9FB	M9FB	Black flange
M9BRUSH	-	Black brush guard
M9FC900	M9FC900	Chrome flange, adapts M Series to 900 Series style lightheads
M9HTM5FC		Chrome-plated housings, sold in pairs for front driver and passenger side of the 2015-2016 Ford Transit Medium roof
M9HTM5RC		Chrome-plated housings, sold in pairs for rear driver and passenger side of the 2015-2016 Ford Transit Medium roof
M9HTH5FC		Chrome-plated housings, sold in pairs for front driver and passenger side of the 2015-2016 Ford Transit High roof
M9HTH5RC		Chrome-plated housings, sold in pairs for rear driver and passenger side of the 2015-2016 Ford Transit High roof



Vertex™ Series

- Self-contained light with in-line lamp driver
- Designed to mount in composite style headlight or taillight, or surface mount to exterior surfaces with flange mount option
- Hard-coated lenses minimize environmental damage from sand, sun, salt, and road chemicals
- Fully encapsulated for moisture, vibration, and corrosion resistance
- Synchronize to other Whelen sync products
- Clear outer lens, color LEDs
- 24 Volt models available, contact factory
- Five year warranty



Model	Optics	Technology	Mount	Color	VDC	Patterns	Amps	Cable	Certs	Size
VTX609*	Single color	Super-LED®	1" Hole recess or Surface (Mounting Purchased separately)	A, R, W	12	25 Scan-Lock™	.750/peak .30/avg	9'	D	1" (26mm) H x 1-5/8" (41mm) Dia.
VTX609#	Split color									
VTXD609*	Single color/side emitting shield									
VTXD609#	Split color/side emitting shield									
VTX3609*	Single color/360° side emitter		1" Hole recess							
VTX3609#	Split color/360° side emitter		Surface							
VHB609*	Single color Omni-directional			A/W, A/B						
VHB609#	Split color Omni-directional									

Replace symbol* in model number with letter indicating color desired: A=Amber, C=White, R=Red
 Replace symbol# in model number with letter indicating split color desired: F=Amber/White, M=Blue/Amber



Model	Option Description
VTXFC	Chrome plated flange
VTXFB	Black flange



Micron™ Series

- Stud mount Micron allows for simple surface mount installation
- Fully encapsulated for moisture, vibration, and corrosion resistance
- Hard-coated lenses minimize environmental damage from sand, sun, salt, and road chemicals
- Synchronize to other Whelen sync products
- Five year warranty



Model	Optics	Technology	Mount	Color	Housing	VDC	Amps	Patterns	Cable	Size
MCRNS*	Single color	Super-LED	Surface	R, A, W	Black	12	0.6	25 Scan-Lock	6" Pigtail	7/8" (23mm) H x 7/8" (23mm) D x 4" (102mm) L
MCRNSC*					Chrome					
MSRNS#	Split color			A/W, A/B	Black					
MSRNSC#					Chrome					
MCRNT*	Single color		Stud	R, A, W	Silver					
MCRNT#	Split color			A/W, A/B						

Replace symbol* in model number with letter indicating color desired: A=Amber, C=White, R=Red
 Replace symbol# in model number with letter indicating split color desired: F=Amber/White, M=Blue/Amber



Model	Option Description
MCRNB1	Black angle "L" mounting bracket
MCRNB2	NEW License plate bracket for two lights



OS™ Series

- Fully encapsulated for moisture, vibration, and corrosion resistance
- Hard-coated lenses minimize environmental damage from sand, sun, salt, and road chemicals
- Steady-burn requires remote flasher
- Clear outer lens, color LEDs
- Five year warranty



OS*00FCR



OSR00SCR

Model	Optics	Technology	Mount	Color	VDC	Patterns	Amps	Cable	Size
OS*00FCR	Directional	LED	Surface (includes Chrome flange)	A	12	Single flash	60mA/peak 30mA/avg	6" Pigtail	1" (25mm) H x 1/2" (13mm) D x 1-1/2" (48mm) L
OS*00SCR				R		Steady	30mA		

Replace symbol* in model number with letter indicating color desired: A=Amber, C=White, R=Red



Micro Freedom®

- Hard-coated lenses minimize environmental damage from sand, sun, salt, and road chemicals
- Heavy-duty extruded aluminum frame, designed to be used in pairs
- Optional cable lengths available, contact factory
- Five year warranty



MCFLED2A

Model	Optics	Technology	Mount	Color	Lens	VDC	Patterns	Amps	Cable	Size
MCFLED2A	Directional	Super-LED®	Includes bolt	A	Amber	12	75 SignalAlert™ per light module	3.2mA	12" Pigtail	3-3/4" (95mm) H x 10" (254mm) D x 8" (203mm) W

Model	Option Description
W441DIN	Deutsch® waterproof connector (3 pins) installed on cable
W442DIN	Deutsch waterproof connector (3 sockets) installed on lighthead

2G & 5G Series

- SmartLED® design requires no external flasher
- Fits all applicable industry mounting accessories
- Hard-coated lenses minimize environmental damage from sand, sun, salt, and road chemicals
- Fully encapsulated for moisture, vibration, and corrosion resistance
- Optional flange available for surface mounting
- Five year warranty



2GA00FAR



5GA00FAR

Model	Optics	Technology	Mount	Color	Lens	VDC	Patterns	Amps	Cable	Certs	Size
2GA00FAR	Directional	LED	Recess mount (includes vinyl grommet)	A, R	Amber	12	15 Scan-Lock™ patterns	300mA/avg 500mA/peak	12" Pigtail	D - (Class 1) C - (Class 2) C, D (Class 1 & 2)	5-1/2" (140mm) Dia. x 1-1/4" (31mm) D
2GA00FCR					Clear						
5GA00FAR					Amber						
5GA00FCR					Clear						

Model		Option Description
2G	5G	
2GFLANGC	5GFLANGC	Surface mount Chrome flange kit
2GFLANGB	5GFLANGB	Surface mount Black flange kit
2GBKT1	5GBKT1	Black surface mount "L" bracket



2GFLANGC

2GFLANGB

2GBKT1

5GFLANGC

5GFLANGB

5GBKT1

3" Round

- Hard-coated lenses minimize environmental damage from sand, sun, salt, and road chemicals
- Ultra thin at only 7/16" (12mm) depth
- Five year warranty



Model	Optics	Technology	Mount	Color	VDC	Amps in mA	Patterns	Cable	Certs	Size
3S*00F*R	Directional	LED	Surface mount	A, R	12	.50/peak .25/avg	160 FPM	6" Pigtail	A, C, D (Class 1, 2 & 3)	3" (76mm)Dia.

Replace symbol* in model number with letter indicating color desired: A=Amber, R=Red

Model	Option Description
3FLANGEC	Chrome plated flange
3GROMMET	Rubber grommet kit



4" Round Series

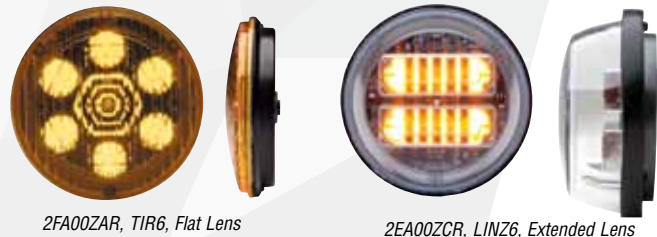
- Synchronize to other Whelen sync products
- Hard-coated lenses minimize environmental damage from sand, sun, salt, and road chemicals
- Supplied with adapter for PAR-36 (4-1/2") applications
- Five year warranty

Flat Lens

- TIR6™ Super-LED®

Extended Lens

- LINZ6™ Super-LED
- Optional flasher simultaneously flashes or alternates multiple LED lightheads



Model	Optics	Technology	Mount	Color	VDC	Amps	Patterns	Encapsulated	Cable	Certs	Size
2F*00Z*R	Flat lens	TIR6 Super-LED	Surface	A, W	12	0.8/max .32/avg	25 Scan-Lock™	Yes	6" Pigtail	C, D, B (A)	4"-1/4 (108mm) Dia. x 1-3/16" D
2E*00Z*R	Extended lens	LINZ6 Super-LED	Requires optional mounting	A, W		2/peak 0.9 avg	25 Scan-Lock			B (B/R) C, D	4"-1/4 (108mm) Dia. x 2" D

Replace symbol* in model number with letter indicating color desired: A=Amber, C=White

Model	Option Description
2GROMMET	Rubber grommet kit - not for fog mount lights
2FLANGEC	Chrome flange kit - not for fog
2FLANGEB	Black flange kit - not for fog



ION™ T-Series™

- **NEW** Linear Super-LED® design
- **NEW** DUO™ models feature independent control of color one and color two
- SOLO™ models are available in single or split colors
- Hard-coated lenses minimize environmental damage from sand, sun, salt, and road chemicals
- Includes Black flange
- Easily surface mount with two screws
- Synchronize to other Whelen sync products
- Five year warranty



Model	Optics	Technology	Mount	Color	VDC	Amps	Patterns	Cable	Certs	Size
TLI*	SOLO	Linear Super-LED®	Surface	A, W	12	0.82/peak 0.33/avg	25 Scan-Lock™	4 wire 6" pigtail	SAE Class 1	1-1/2" (38mm) H x 1/2" (13mm) D x 5" (127mm) L
TLI#	SOLO			A/W, A/B			69 Scan-Lock			
TLI2#	DUO			A/W, A/B		33 Scan-Lock				

Replace * symbol in model number with letter indicating color desired: A=Amber, C=White
 Replace # in model number with interleaved color desired: F=Amber/White, M=Blue/Amber



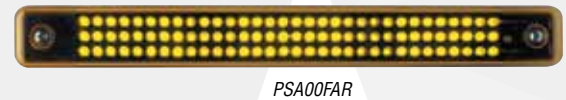
Model	Option Description
TIONFC	Chrome plated flange
TIONBKT1	"L" mounting bracket
TIONBKT2	License plate bracket for 2 lights

Model	Option Description
TIONBKT3	"L" mounting bracket for 2 lights
TIONBKT4	NEW Universal over/under "L" bracket for 2 lights



Strip-Lite™

- Slim rectangular shape offers mounting versatility in tight spaces
- Hard-coated lenses minimize environmental damage from sand, sun, salt, and road chemicals
- Fully encapsulated for moisture, vibration, and corrosion resistance
- Easily surface mounts with two screws
- Low current consumption
- Polycarbonate construction
- Five year warranty



Model No.	Optics	Technology	Mount	Color	VDC	Amps	Patterns	Cable	Certs	Size
PS*00F*R	Directional	LED	surface	A, W	12	0.675/ max 0.27/avg	14 Scan-Lock includes steady-burn	6" pigtail	C	1" (25mm) H x 1-3/8" (35mm) D x 11-1/2" (292mm) L

Replace symbol* in model number with letter indicating color desired: A=Amber, C=White



Model No.	Option Description
PSBKT451	45° mounting bracket
PSBKT1	Guard for use with or without angle bracket



ION™ Series

- Hard-coated lenses minimize environmental damage from the sun, salt and road chemicals
- Synchronize to other Whelen sync products
- Five year warranty



ION & WION

- ION models feature TIR directional optic
- WION models feature wide-angle optic
- Available in single or split colors
- Includes steady-burn, alternating, and simultaneous patterns

ION DUO™ & TRIO™

- Interleaved technology and new Linear-LED® optics
- DUO models feature independent control of color one and color two
- TRIO models feature any combination of color one, color two and color three. Color three has steady-burn override



Model	Optics	Technology	Mount	Color	Housing	VDC	Amps	Patterns	Cable	Certs	Size
ION*	Directional	Super-LED®	Universal	A, R, B, W	Black	12	1/peak 0.40/avg	25 Scan-Lock™	6" Pigtail	B, C, D (A/B/R)	1" (25mm) H x 1-1/4" (32mm) D x 4" (101mm) L
ION#				R/W, B/A						C, D (W)	
WION*	A, R, B, W			A, B, C, D (A/R)							
WION#	R/W, B/A			B, C, D (B)							
IONSM*	Directional		Surface, includes flange	A, R, B, W			A, C, D (W)	1-11/16" (43mm) H x 1-1/8" (28mm) D x 5-15/16" (150mm) L			
IONSM#				R/W, B/A			B, C, D (A/R)				
WIONSM*	A, R, B, W		B, C, D (B)								
WIONSM#	R/W, B/A		A, C, D (W)								
I2#	Wide-angle	Linear-LED	Universal	R/W, B/W, A/W, B/A	1/peak 0.40/avg per color	64	25	B, C, D (A)	1" (25mm) H x 1-1/4" (32mm) D x 4" (101mm) L		
I3KC				R/AW							
I3MC				B/AW							

Replace symbol* in model number with letter indicating color desired: A=Amber, B=Blue, C=White, R=Red
 Replace symbol# in model number with letter indicating split color desired: D=Red/White, F=Amber/White, K=Red/Amber, M=Blue/Amber



Model	Option Description
IONK1B	Swivel mount bracket, Black
IONGROM	Grommet mount kit
IONPEDB	Pedestal mount, Black

Model	Option Description
IONBKT1	License plate bracket for 2 lights
IONBKT5	Universal mount, reversed, remove screws without removing light
IONBKT6	Rear hatch bracket, 2015-2016 Chevy Tahoe for 2 lights
IONBKT7	Grille mount bracket, 2015-2016 Chevy Tahoe for 2 lights



NOTE: For Chrome or White housings, contact factory for price, availability and minimum order requirements

ION™ V-Series™

- Available in 3-in-1 combination warning, alley/flood and puddle light or in single color warning only models
- Single color models have combination 180° and TIR directional warning
- Includes steady-burn, alternating and simultaneous patterns
- Black housing
- Hard-coated lenses minimize environmental damage from sand, sun, salt, and road chemicals
- Synchronize to other Whelen sync products
- Five year warranty



Model	Optics	Technology	Mount	Colors	Housing	VDC	Amps	Patterns	Cable	Certs	Size
IONV3*	V-Series	Linear Super-LED®	Universal	A, R, B, W warning with W illumination	Black	12	Warning 0.76, Alley 0.31, Puddle 0.12	25 Scan-Lock™	6" Pigtail	C, D	1" (25mm) H x 2-3/16" (56mm) D x 4-1/16" (104mm) L
IONV3*W					White						1-11/16" (43mm) H x 2" (50mm) D x 5-15/16" (150mm) L
IONSV3*			Surface, includes flange		Black						1-11/16" (43mm) H x 2" (50mm) D x 5-15/16" (150mm) L
IONSV3*W					White						1-11/16" (43mm) H x 2" (50mm) D x 5-15/16" (150mm) L
IONSV3*C					Chrome						1-11/16" (43mm) H x 2" (50mm) D x 5-15/16" (150mm) L
IONV1*	V-Series with directional lighting	Linear and TIR Super-LED	Universal	A, R, B, W	Black	1.147					1" (25mm) H x 2-3/16" (56mm) D x 4-1/16" (104mm) L
IONV1*W					White						1-11/16" (43mm) H x 2" (50mm) D x 5-15/16" (150mm) L
IONSV1*			Surface, includes flange		Black						1-11/16" (43mm) H x 2" (50mm) D x 5-15/16" (150mm) L
IONSV1*W					White						1-11/16" (43mm) H x 2" (50mm) D x 5-15/16" (150mm) L
IONSV1*C					Chrome						1-11/16" (43mm) H x 2" (50mm) D x 5-15/16" (150mm) L

Replace symbol* in model number with letter indicating color desired: A=Amber, B=Blue, C=White, R=Red



Model	Option Description
IONK1B	Swivel mount bracket, Black
IONGROM	Grommet mount kit
IONPEDB	Black pedestal mount

Model	Option Description
IONBKT1	License plate bracket for 2 lights
IONBKT5	Universal mount, reversed, remove screws without removing light
IONBKT6	Rear hatch bracket, 2015-2016 Chevy Tahoe for 2 lights
IONBKT7	Grille mount bracket, 2015-2016 Chevy Tahoe for 2 lights



NOTE: For Chrome or White housings, contact factory for price, availability and minimum order requirements

TIR3™, LIN3™, LINZ6™ & LINV2™

- Includes Black polycarbonate mounting flange
- Fully encapsulated for moisture, vibration, and corrosion resistance
- Hard-coated lenses minimize environmental damage from sand, sun, salt, and road chemicals
- Synchronize to other Whelen sync products
- Includes steady-burn, alternating and simultaneous patterns
- Split LINZ6 will alternate or simultaneous flash each color segment (3x3)
- LINV2 offers combination 180° warning and puddle light with Scan-Lock™ warning flash patterns
- Five year warranty



Model	Optics	Technology	Mount	Color	VDC	Amps	Patterns	Encapsulated	Cable	Certs	Size
RS*03ZCR	Directional	TIR3 Super-LED®	Horizontal, surface	R, A, W	12	0.40/peak, 0.16/avg	25 Scan-Lock	Yes	6" Pigtail	B ^(R) C ^(A) D	1-1/8" (28mm) H x 1-1/4" (32mm) D x 3-1/2" (89mm) L
RV*03ZCR			Vertical surface								
RS*02ZCR		LIN3 Super-LED									
LINZ6*	Split Directional	Split LINZ6 Super-LED	Horizontal, surface	A/W	12	0.75/peak, 0.30/avg	69 Scan-Lock	Yes	6" Pigtail	B ^(A/B/R) C D ^(Class 1)	2" (48mm) H x 1-5/8" (40mm) D x 4" (102mm) L
LINZ6F				Split A/A							
LINZ61											
LINV2*	Combination warning and puddle light	LINV2 Super-LED	Horizontal, surface	A, W	12	0.75/warning, 0.12/puddle	25 Scan-Lock	Yes	6" Pigtail	C, D ^(A)	1-1/2" (40mm) H x 1-5/8" (42mm) D x 3-7/8" (98mm) L
LINSV2*			Under surface mounting								1-1/8" (28mm) H x 2-13/16" (71mm) D x 2-7/8" (73mm) L

Replace symbol* in model number with letter indicating color desired: A=Amber, C=White, R=Red



Model	Series	Option Description
RFLANGEC	TIR3 LIN3 LINZ6 LINV2	Chrome plated flange kit
RFLANGCD		Deep Chrome plated flange kit
RFLANGEA		Cast aluminum flange kit
RFLANG2C		Chrome plated flange for dual lightheads
RFLANG2B		Black flange for dual lightheads
RGROMMET		Grommet mount kit except LINV2
RBKT1	LINSV2	Mounting bracket for one light
RBKT2		Mounting bracket for two lights
LSVBKT13		Under-the-side view mirror bracket, pair Chevy Tahoe/Suburban, 2015-2016
LSVBKT45		Under-the-side view mirror bracket, pair Chevy Tahoe/Suburban, 2015-2016
LSVBKT44		Under-the-side view mirror bracket, pair Dodge Durango, 2013-2016
LSVBKT42		Under-the-side view mirror bracket, pair, Dodge Ram 1500, 2011-2016
LSVBKT47		Under-the-side view mirror bracket, pair, Ford F-150, 2015-2016

Model	Series	Option Description
RBKT6	TIR3 LIN3 LINZ6 LINV2	License plate bracket for 2 lights-horizontal
RBKT7		License plate bracket for 2 lights-vertical
RBKT12		Above rear taillight bracket, Ford F-250/350/450/550, 2013-2016
RBKT14		Above rear taillight bracket, Chevy Silverado/GMC 1500, 2014-2016
RBKT17		Above rear taillight bracket, Dodge Ram, 2014-2016
RBKT18		Above rear taillight bracket, Ford F-150, 2015-2016
RBKT19		Below rear taillight bracket, Ford F-150, 2015-2016
RBKT4		Swivel mounting bracket for one lighthead
LINZ6FC		Deep Chrome plated flange kit
L6BKT5	Under side view mirror bracket	



400 Series

- Available with Clear or color lens, V-Series™ has Clear lens only
- V-Series has 3-in-1 combination warning, alley/flood and ground illuminating puddle light
- Available with or without internal flasher
- Hard-coated lenses minimize environmental damage from sand, sun, salt, and road chemicals
- Single level is surface mount
- Single level models include Scan-Lock™ flash patterns with steady-burn, and synchronize feature
- Dual level has individual control of upper and lower level
- Dual level requires LED flasher and optional mounting, purchased separately (not to be used as steady-burn light)
- Five year warranty



40A02ZCR



40AA5SCR



4V3A

Model	Optics	Technology	Mount	Color	VDC	Amps	Patterns	Cable	Certs	Size
40**5SCR	Dual level	Linear Super-LED®	Requires optional mounting	A, W	12	1.8/peak 0.72/avg	Requires optional flasher	6" Pigtail	C W	3-3/16" (77mm) H x 2" (50mm) D x 4-15/16" (124mm) L
40*02Z*R	Single level					.90/peak 0.36/avg	25 Scan-Lock		B, C, D	3-3/16" (77mm) H x 1-3/8" (34mm) D x 4-15/16" (124mm) L
4V3*	Warning, alley/flood & puddle light	3-in-1 Super-LED lighting	Surface	A, W warning, steady W for alley and puddle		1.2 warning 0.40 alley 0.12 puddle	Warning has 25 Scan-Lock patterns		W	3-1/16" (77mm) H x 2- 3/4" (69mm) D x 4-15/16" (124mm) L

Replace symbol* in model number with letter indicating color desired: A=Amber, C=White First * or ** is for LED color, last * is for lens color.



Model	Option Description
4EFLANGE	Chrome plated flange kit for single level only
4FLANGEB	Black flange kit for single level only
4TSMAB	Black surface mount adapter
4TSMAC	Chrome surface mount adapter

Model	Option Description
4EGRILP	Grille-Master™ Chrome housing with swivel bracket
4EGRILB	Grille-Master Black housing with swivel bracket
4ILKT1	Polished intersection housing kit, pair, for 4300/4400 International chassis only



4EFLANGE



4FLANGEB



4TSMAB



4TSMAC



4EGRILB



4EGRILP



4ILKT1

500 Series

- Requires optional mounting
- 500 V-Series™ features 3-in-1 warning, alley/flood and White ground illumination puddle light
- Hard-coated lenses minimize environmental damage from sand, sun, salt, and road chemicals
- Single color combination 180° and TIR directional warning light
- Solid color available with Clear or color lens
- V-Series and split color lights have Clear lens
- Grommet mount rear waste truck light includes grommet and connector, for use in a light array of seven
- Vertical cab mount light includes Chrome flange (use one per side)
- Five year warranty



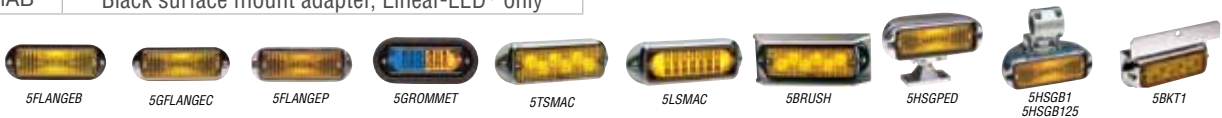
Model	Optics	Technology	Mount	Color	VDC	Amps	Patterns	Cable	Certs	Size
50*02Z*R	Single color, horizontal mount	Linear Super-LED®	Requires optional mounting	A, W	12	1.0/peak .40/avg	25 Scan-Lock™	6" Pigtail	B (A/B) C D (A/B)	1-5/8" (41mm) H x 1-3/4" (44mm) D x 5" (127mm) L (lighthead only)
50**2ZCR	Split color, horizontal mount			A/A, A/B, A/W, W/W		.50/peak .20/avg per side				
5V*02Z*R	Single color, vertical mount			A, W		1.0/peak .40/avg				
50AA2SA2	Single color, vertical mount for truck cab		Includes Chrome flange	A						
50A02SA1	Single color, horizontal mount for rear of waste truck		Includes grommet & connector	A						
50*03Z*R	Single color, horizontal mount	TIR6™ Super-LED	Requires optional mounting	A, W		.63/peak .315/avg			B (R) C D	1-5/8" (41mm) H x 1-3/8" (35mm) D x 5" (127mm) L
50**3ZCR	Split color, horizontal mount			A/A, A/B, A/W, W/W	.315/peak .125/avg per side					
5V1*	Single color, horizontal mount	V-Series & TIR Super-LED		A, W		1.5/peak 0.6/avg			B (B) D	2-1/8" (54mm) H x 1-5/8" (42mm) D x 5-3/8" (137mm) L
5V3*	Warning, alley/flood & puddle light, horizontal mount	V-Series Super-LED		A, W warning, steady W for alley and puddle		0.12 warning 1.0 alley light 0.5 puddle				

Replace symbol* in model number with letter indicating color desired: A=Amber, C=White First * or ** is for LED color, second * is for lens color.



Model	Option Description
5FLANGEB	Black flange kit
5FLANGEC	Chrome plated flange kit
5FLANGEP	Polished aluminum flange kit
5GROMMET	Rubber grommet kit
5TSMAB	Black surface mount adapter, TIR6 Super-LED only
5TSMAC	Chrome plated surface mount adapter, TIR6 Super-LED only
5LSMAB	Black surface mount adapter, Linear-LED® only

Model	Option Description
5LSMAC	Chrome plated surface mount adapter, Linear-LED only
5BRUSH	Aluminum brush guard for TIR6 only, requires flange
5HSGPED	Polished aluminum housing & pedestal swivel mount kit
5HSGB1	7/8"-1" Round bar mount, includes housing and flange
5HSGB125	1-1/4" Round bar mount kit, includes housing and flange
5BKT1	Universal mounting bracket for Super-LED



600 Series

- Available with Clear or color lens
- 600 Rota-Beam™ Super-LED® oscillating light with no moving parts or motors. 100% solid-state with 180° light output
- Hi/Low power except Rota-Beam
- Hard-coated lenses minimize environmental damage from sand, sun, salt, and road chemicals
- Five year warranty



Model	Optics	Technology	Mount	Color	VDC	Amps	Patterns	Cable	Certs	Size
60*02S*R	Directional	Linear Super-LED	Surface	A, W	12	1.40/peak, .53/avg	Requires optional flasher	6" Pigtail	B, C, D	4-1/8" (105mm) H x 2" (50mm) D x 6-1/2" (165mm) L
60*02F*R						1.4/peak, .53/avg	14 Scan-Lock™			
6RB*	Oscillating	Rota-Beam Super-LED		A, W Color lens		2.2/peak, 1.1/avg	14 Scan-Lock		W	4-3/16" (106mm) H x 3-7/16" (88mm) D x 6-9/16" (167mm) L
6RB*C				R, B, A, W Clear lens						

Replace symbol* in model number with letter indicating color desired: A=Amber, B=Blue, C=White, R=Red
 First * or ** is for LED color, second * is for lens color.

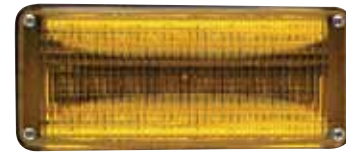


Model	Option Description
6FLANGE B	Black flange kit
6EFLANGE	Chrome plated flange kit
6EHDLMK	Headlight mount kit for ATI and KD housing, includes hardware
CAST3	Polished cast aluminum housing, vertical mount, 3 lamp
CAST3H	Polished cast aluminum housing, horizontal mount, 3 lamp
CAST4V	Polished cast aluminum housing, vertical mount, 4 lamp
PLAST3V	Chrome plated plastic housing, vertical mount, 3 lamp
PLAST4V	Chrome-plated plastic housing, vertical mount, 4 lamp
64FKIT	Kit to convert 600 Series to fit in old style 64 Series hole cutouts



700 Series

- Available with Clear or color lens
- Available with or without internal flasher
- Low power
- Hard-coated lenses minimize environmental damage from sand, sun, salt, and road chemicals
- Five year warranty



70A02SAR / 70A02FAR

Model	Optics	Technology	Mount	Color	VDC	Amps	Patterns	Cable	Certs	Size
70*02S*R	Directional	Linear Super-LED®	Surface	A, W	12	1.40/peak, .53/avg	Requires optional flasher	6" Pigtail	B, C, D	3-1/16" (78mm) H x 1-1/4" (31mm) D x 7-1/4" (184mm) L
70*02F*R						1.4/peak, .53/avg per side	14 Scan-Lock™			

Replace symbol* in model number with letter indicating color desired: A=Amber, C=White
 First * or ** is for LED color, second * is for lens color.



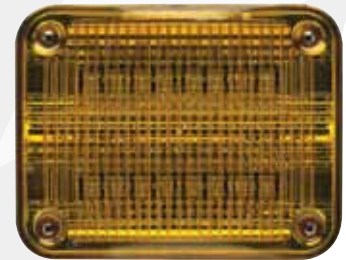
Model	Option Description
7FLANGEB	Black flange kit
7EFLANGE	Chrome plated flange kit
7CAST3	Polished cast aluminum housing, vertical mount, 3 lamp
7GCV6LRC	Grille mount Chrome housing for the 2006-2015 Chevy Express van, pair
73FKIT	Mounting kit to convert 700 Series to fit in old style 73 Series hole cutouts
7PT5R	Rear light pod for six lighthead for the 2015-2016 Ford Transit Medium or High roof
7PTMSF	Front light pod for six lighthead for the 2015-2016 Ford Transit Medium or High roof

Model	Option Description
7PTH5F	Front light pod for six lighthead for the 2015-2016 Ford Transit High roof
7HTM5FC	Chrome-plated housings, sold in pairs for front driver and passenger side of the 2015-2016 Ford Transit Medium roof
7HTM5RC	Chrome-plated housings, sold in pairs for rear driver and passenger side of the 2015-2016 Ford Transit Medium roof
7HTH5FC	Chrome-plated housings, sold in pairs for front driver and passenger side of the 2015-2016 Ford Transit High roof
7HTH5RC	Chrome-plated housings, sold in pairs for rear driver and passenger side of the 2015-2016 Ford Transit High roof



900 Series

- Largest surface mount with dual level LEDs
- Available with Clear or color lens
- Available with or without internal flasher
- Low power
- Hard-coated lenses minimize environmental damage from sand, sun, salt, and road chemicals
- Five year warranty



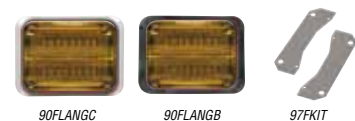
90AA5SAR / 90AA5FAR

Model	Optics	Technology	Mount	Color	VDC	Amps	Patterns	Cable	Certs	Size
90**5S*R	Directional	Linear Super-LED	Surface	A, W	12	2.8/peak, 1/avg	Requires optional flasher	6" Pigtail	B, C, D	7-1/8" (181mm) H x 1-3/8" (35mm) D x 9-1/8" (232mm) L
90**5F*R						2.8/peak, 1/avg	14 Scan-Lock steady-burn & Hi/Low			

Replace symbol* in model number with letter indicating color desired: A=Amber, C=White
 First * or ** is for LED color, second * is for lens color.

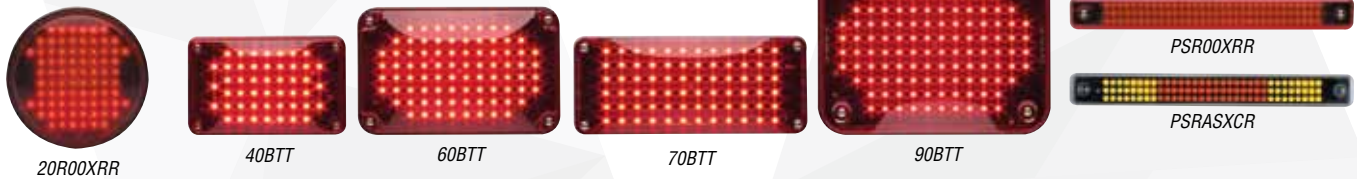


Model	Option Description
90FLANGB	Black flange kit
90FLANGC	Chrome plated flange kit
97FKIT	Mounting kit to convert 900 Series to fit in old style 97 Series hole cutouts



Brake/Tail/Turn Lights

- Fully encapsulated for moisture, vibration and corrosion resistance
- Hard-coated lenses minimize environmental damage from sand, sun, salt, and road chemicals
- Five year warranty



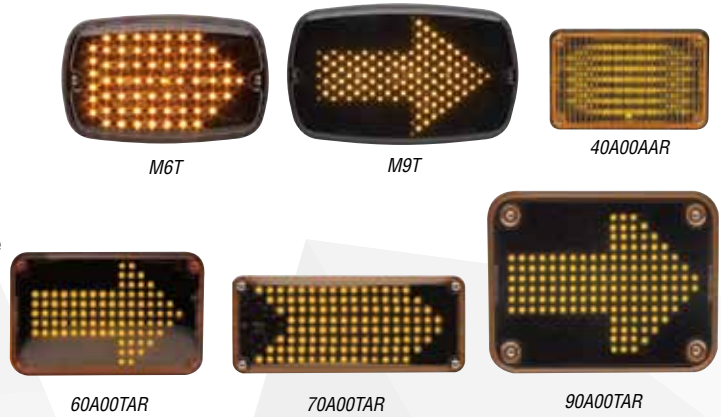
Model	Optics	Technology	Mount	Color	Lens	VDC	Amps	Cable	Certs	Size				
20R00XRR	4" Round	LED	Requires optional mounting	R	R	12	.4/high 0.4/low	6" Pigtail	J, K, L, Y, X, Q	4-1/4" (108mm) dia.				
M6BTT	M6 Series	Super-LED®	Surface				0.85/brake 0.06/tail			4-5/16" (109mm) H x 1-3/8" (35mm) D x 6-3/4" (170mm) L				
M9BTTX	M9 Series						0.75/brake 0.55/tail			6-1/2" (165mm) H x 1-3/8" (35mm) D x 10-3/8" (263mm) L				
40BTT	400 Series						.375/brake .040/tail			3-3/16" (77mm) H x 2-3/4" (69mm) D x 4-15/16" (124mm) L				
60BTT	600 Series	Super-LED	Surface				.375/brake .040/tail			4-1/8" (105mm) H x 1-3/8" (35mm) D x 6-1/2" (165mm) L				
70BTT	700 Series									3-1/16" (78mm) H x 1-1/4" (31mm) D x 7-1/4" (184mm) L				
90BTT	900 Series									7-1/8" (181mm) H x 1-3/8" (35mm) D x 9-1/8" (232mm) L				
PSR00XRR	Strip-Lite™	LED					R/A			C	.5 high/.05 low		J, K	1" (25mm) H x 1-3/8" (35mm) D x 11-1/2" (292mm) L
PSRASXCR		LED with turn												

Model								Option Description
4" Round	M6	M7	400	600	700	900	Strip-Lite	
2FLANGEC	M6FC	M7FC	4EFLANGE	6EFLANGE	7EFLANGE	90FLANGC	-	Chrome plated flange
2FLANGEB	M6FB	M7FB	4FLANGEB	6FLANGEB	7FLANGEB	90FLANGB	-	Black flange
-	M6BRUSH	M7BRUSH	-	-	-	-	PSBKT1	Brush guard
2GBKT1	-	-	-	-	-	-	-	"L" bracket
2GROMMET	-	-	-	-	-	-	-	Grommet mount kit
-	M6FCV2	-	-	-	-	-	-	Chrome flange, 1 lamp, vertical
-	M6FCV3	-	-	PLAST3V	-	-	-	Chrome flange, 2 lamps, vertical
-	M6FCV4	-	-	PLAST4VL	-	-	-	Chrome flange, 4 lamps, vertical
-	-	-	-	CAST3H	-	-	-	Cast aluminum housing, 3 lamps, horiz.
-	-	-	-	CAST3	7CAST3	-	-	Cast aluminum housing, 3 lamps, vert.
-	-	-	-	CAST4V	-	-	-	Cast aluminum housing, 4 lamps, vert.
LEDLOAD								Adds additional amperage load



Turn Signals

- Arrows may be mounted left or right
- 400 LED Series is turn indicator/front marker clearance light combination
- M Series are surface mounted
- Hard-coated lenses minimize environmental damage from sand, sun, salt, and road chemicals
- Mounting options are purchased separately
- Five year warranty



Model	Optics	Technology	Mount	Color	VDC	Amps	Patterns	Cable	Certs	Size					
M6T	M6 Series	LED	Surface mount	A	12	.75/max	8	6" Pigtail	L, Y	4-5/16" (109mm) H x 1-3/8" (35mm) D x 6-3/4" (170mm) L					
M9T	M9 Series					1.2/max				6-1/2" (165mm) H x 1-3/8" (35mm) D x 10-3/8" (263mm) L					
40A00AAR	400 Series		Surface mount			A	12		.4/max .06/avg	2	6" Pigtail	X, Y	3-3/16" (77mm) H x 2-3/4" (69mm) D x 4-15/16" (124mm) L		
60A00TAR	600 Series								.7/max .35/avg				6	L, Y	4-1/8" (105mm) H x 1-3/8" (35mm) D x 6-1/2" (165mm) L
70A00TAR	700 Series								.9/max .45/avg						3-1/16" (78mm) H x 1-1/4" (31mm) D x 7-1/4" (184mm) L
90A00TAR	900 Series		Optional mounting available						1.25/max 1/avg	17			7-1/8" (181mm) H x 1-3/8" (35mm) D x 9-1/8" (232mm) L		

Model						Option Description
M6	M9	400	600	700	900	
M6FC	M9FC	4EFLANGE	6EFLANGE	7EFLANGE	9FELANGE	Chrome plated flange
M6FB	M9FB	4FLANGEB	6FLANGEB	7FLANGEB	9EFLANGEB	Black flange
M6BRUSH	M9BRUSH	-	-	-	-	Brush guard
M6FCV2	-	-	-	-	-	Chrome flange for two lighthoods, vertical
M6FCV3	-	-	PLAST3V	-	-	Chrome flange for three lighthoods, vertical
M6FCV4	-	-	PLAST4VL	-	-	Chrome flange for four lighthoods, vertical
-	-	-	CAST3H	-	-	Three lighthead cast aluminum housing, horizontal
-	-	-	CAST3	7CAST3	-	Three lighthead cast aluminum housing, vertical
-	-	-	CAST4V	-	-	Four lighthead cast aluminum housing, vertical
M6FC600	M9FC900	-	-	-	-	Chrome flange converts to 600 or 900 Series lighthead



Back-Up Lights

- **NEW** 400 Series Super-LED® back-up lights
- M Series are surface mounted
- Mounting options are purchased separately
- 400, 600 and 700 Series LED may additionally be used as interior lights
- Hard-coated lenses minimize environmental damage from sand, sun, salt, and road chemicals
- Five year warranty



Model	Optics	Technology	Mount	Color	VDC	Amps	Patterns	Cable	Certs	Size
M6BUW	M6 Series	Super-LED	Surface	W	12	1.6	Steady	6" Pigtail	N	4-5/16" (109mm) H x 1-3/8" (35mm) D x 6-3/4" (170mm) L
M9BUW	M9 Series					1.8				6-1/2" (165mm) H x 1-3/8" (35mm) D x 10-3/8" (263mm) L
5GC00WCR	5G Series		Includes grommet			.15				3-3/16" (77mm) H x 1-1/2" (38mm) D x 7-7/16" (189mm) L
40C00VCR	400 Series	LED	Requires optional mounting			.35				3-3/16" (77mm) H x 2-3/4" (69mm) D x 4-15/16" (124mm) L
40BUH		Super-LED	Horizontal			1.0				
40BUV			Vertical							
60C00VCR	600 Series	LED minimum	May be surface mounted			.35				4-1/8" (105mm) H x 1-3/8" (35mm) D x 6-1/2" (165mm) L
60C00WCR		LED maximum				0.6				
70C00VCR	700 Series	LED minimum	Optional mounting available			.35				3-1/16" (78mm) H x 1-1/4" (31mm) D x 7-1/4" (184mm) L
70C00WCR		LED maximum				0.5				

Model					Option Description
Super-LED		LED			
M6	M9	400	600	700	
M6FC	M9FC	4EFLANGE	6EFLANGE	7EFLANGE	Chrome plated flange
M6FB	M9FB	4FLANGEB	6FLANGEB	7FLANGEB	Black flange
M6BRUSH	M9BRUSH	-	-	-	Brush guard
M6FCV2	-	-	-	-	Chrome flange for two lighthoods, vertical
M6FCV3	-	-	PLAST3V	-	Chrome flange for three lighthoods, vertical
M6FCV4	-	-	PLAST4V	-	Chrome flange for four lighthoods, vertical
-	-	-	CAST3H	-	Three lighthead cast aluminum housing, horizontal
-	-	-	CAST3	7CAST3	Three lighthead cast aluminum housing, vertical
-	-	-	CAST4V	-	Four lighthead cast aluminum housing, vertical
M6FC600	M9FC900	-	-	-	Chrome flange converts to hundred series lighthead



Interior Lighting

- Super-LED® model 86CE1 has 12 diodes and Hi/Low control, and is certified to KKK 1822-F when properly installed
- LED 2" Round Series includes 2-1/2" adapter for customer supplied 2-1/2" grommet, plus a 3" and 3-1/2" flange mount
- Strip-Lite™ available in two levels of intensity
- Fluorent Plus™ Series is available in increments of 9" (228mm) and includes both a C clip for snap-in and P clip for fixed mounting. Silicone rubber end caps
- Hard-coated lenses minimize UV damage and resist scratches
- Five year warranty



Model	Optics	Technology	Mount	VDC	Amps	Cable	Size	
86CE1	Rectangular interior dome	Super-LED	Requires cut-out, includes flange	12	2/high .20/low	6" Pigtail	6-7/16" (163mm) H x 1-1/4" (32mm) D x 8-3/16" (208mm) L	
TOCACCRR	2" Round compartment	5mm LED	Surface		.025		6" Pigtail includes Deutsch® connector	2" (51mm) Dia.
20C0CDCR	2G Series (4" round) compartment	Super-LED 12 diode	Surface mount requires optional mounting		.360			4" (102mm) Dia.
20C0CDCD								
5GC0CCCR	5G Series compartment	Super-LED	Includes Black grommet, requires optional mounting		.525	6" Pigtail	3-3/16" (81mm) H x 1-1/2" (38mm) D x 7-7/16" (189mm) L	
PSC0ADCR	Strip-Lite compartment	6 diode LED	Surface		.240		1" (25mm) H x 1-3/8" (35mm) D x 11-1/2" (292mm) L	
PSC0CDCR		18 diode LED			.480			
F09PC	Fluorent Plus compartment tube lighting	Super-LED			.06		5/8" (16mm) H x 9" (228mm) L	
F18PC					.125		5/8" (16mm) H x 18" (457mm) L	
F27PC					.16		5/8" (16mm) H x 27" (686mm) L	
F36PC					.18		5/8" (16mm) H x 36" (914mm) L	
F45PC					.24		5/8" (16mm) H x 45" (114cm) L	
F54PC				.32	5/8" (16mm) H x 54" (137cm) L			
F63PC				.42	5/8" (16mm) H x 63" (160cm) L			

Model	Series	Option Description
TFLANGEC	2" Round	Surface mount Chrome plated flange kit
TFLANGEB		Surface mount Black flange kit
TGROM2		Grommet mounting kit
2GFLANGC	2G (4" Round)	Surface mount Chrome plated flange kit
2GFLANGB		Surface mount Black flange kit
2GROMMET		Grommet mounting kit

Model	Series	Option Description
5GFLANGC	5G	Surface mount Chrome plated flange kit
5GFLANGB		Surface mount Black flange kit
PSBKT451	Strip-Lite	45° stainless steel bracket



Interior Lighting

- 3" Round Red, Red/White and Blue/White for better night vision and includes independent control of color and White light
- 6" Round extreme low profile surface mount is available in 24 Volt models
- 700 Series has illuminated switches
- 8" Round has high lumen output of 1,000/Hi and 80/Low, simulating natural light at midday.
- Hard-coated lenses minimize UV damage and resist scratches
- Five year warranty



Model	Optics	Technology	Mount	Housing	Switch	VDC	Amps	Cable	Size	
3SC0CDCR	3" Round LED	Compartment White	Surface Optional mounting available	Rubber gasket housing	-	12	.380	6" Pigtail	3" (76mm) Dia.	
3SR0CDRR		Nighttime illumination, Red					.300			
3SBCCDCR		Compartment split Blue/White					.310			
3SRCCDCR		Compartment split Red/White								
60C0EHCR	6" Round Super-LED	Compartment 18 diode, White	Surface	-	-	12	1.2/high .13/low	6" (152mm) Dia. x 5/8" (16mm) D		
60C0EJCS		Compartment 6 diode, White					On/Off			.70/high
60CBEGCS		Compartment 6 Blue diodes & 6 White diodes					Dual switches for On/Off color and On/ Off and White			.70/White .50/Blue
60CREGCS		Compartment 6 Red diodes & 6 White diodes					Backlighted dual switches for On/Off color and White			.70/White .50/Red
70CREGCS	700 Series	Compartment 30 Red diodes & 30 White diodes					.35/White .50/Red 2mA/switch		3-1/16" (78mm) H x 1-1/4" (31mm) D x 7-1/4" (184mm) L	
80C0EHCR	8" Round Super-LED ambulance light	18 Diode, White	4 Screws, fits industry standard 8" cutout, no mounting hardware required	Chrome flange	Built-in Hi/Low intensity	12	1.2/high .13/low	6" Pigtail	8-5/8" (218mm) Dia. x 1" (24mm) D	
80C00EZR		18 Diode, White	Fits 8" cutout with spring clip mounting, no mounting hardware required	White flange						
8WC00EZR		6 White diodes 3 Blue diodes	4 Screws	Chrome flange						
80CBEHCR		6 White diodes 3 Red diodes								

Model	3" Round Options
3FLANGEC	Chrome plated flange, surface mount
3GROMMET	Grommet mount



Illumination, Marker or Clearance Lighting and PAR Replacement Lamps

- OS™ Series includes Chrome housing. It's 45° angle illuminates step surfaces and areas needing angled lighting. Interior or exterior use
- OS Series marker/clearance has Clear lens
- 2" Round Series marker or clearance light includes 2-1/2" adapter for customer supplied 2-1/2" grommet, plus a 3" and 3-1/2" flange mount. Includes color lens
- PEL Series has 40° downward projected light for illumination of vehicle's perimeter
- PAR lights have heavy-duty heatsink and industry standard brass slotted head connection point
- Hard-coated lenses minimize environmental damage from sand, sun, salt, and road chemicals
- Five year warranty



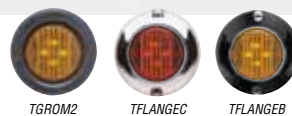
PELCC



Model	Optics	Technology	Mount	Color	Housing	VDC	Amps	Patterns	Cable	Size		
OSC0EDCR	OS Series	LED White illumination	Surface	W	Chrome	12	0.3	Steady	6" Pigtail	1" (25mm) H x 1/2" (13mm) D x 1-1/2" (38mm) L		
OAC0EDCR			45° Angle surface							1" (25mm) H x 7/8" (21mm) D x 1-7/8" (48mm) L		
OSA00MCR		Surface	A	1" (25mm) H x 1/2" (13mm) D x 1-1/2" (38mm) L								
OSR00MCR			R	1" (25mm) H x 1/2" (13mm) D x 1-1/2" (38mm) L								
TOA00MAR	2" Round marker or clearance	LED marker or clearance	Surface	A	-	0.8/max 0.5/avg				2" (51mm) Dia.		
TOR00MRR				R								
PELCC	PEL Series downward projecting ground perimeter lighting	1000 Lumen Super-LED illumination	Surface	W	Chrome	24	.37				2-1/4" (56mm) H x 1-5/8" (42mm) D x 7-7/8" (201mm) L	
PELCB					Black							
PELCC4					Chrome							
PELCB4					Black							
P46SLC	PAR-46	2° Spotlight	Drop-in replacement for outdated halogen spotlight lamps	W	Black powder coated die-cast aluminum heatsink	12	23				5-5/8" (144mm) Dia x 2-11/16" (69mm) D	
P46FLC		8° Spotlight									1.9	5-5/8" (144mm) Dia x 1-13/16" (46mm) D
P46WLC		20° High x 60° wide Floodlight										
P36SLC	PAR-36	2° Spotlight				12/24	0.85 @ 12 VDC 0.325 @ 24 VDC				4-1/2" (111mm) Dia. x 2" (51mm) D	

Replace symbol* in model number with letter indicating color desired: A=Amber, B=Blue, C=White, R=Red

Model	2" Round Option Description
TGROM2	Rubber grommet mount
TFLANGEC	Surface mount flange, Chrome
TFLANGEB	Surface mount flange, Black



Scenelights

- Super-LED® surface mounts are instant on with no warm-up time
- 500 Series lightheads requires mounting option, purchased separately
- Hard-coated lenses minimize environmental damage from sand, sun, salt, and road chemicals
- Five year warranty



6SCOENZR



70C0ELZR



9SCOENZR



M6ZC



M7ZC



M9LZC

Model	Optics	Technology	Mount	Color	VDC	Amps	Patterns	Cable	Size
6SCOENZR	600 Series	Super-LED	Surface	W	12	1.5	Steady	6" Pigtail	4-1/8" (105mm) H x 1-3/4" (44mm) D x 6-1/2" (165mm) L
60C0ELZR			Recess			2			
7SCOENZR	Surface		2						
70C0ELZR	700 Series		Recess			2			3-1/16" (78mm) H x 1-3/4" (44mm) D x 7-1/4" (184mm) L
9SCOENZR	900 Series		Surface, includes Chrome flange			6			
M6ZC	M6 Series		Surface			2			
M7ZC	M7 Series					2.25/peak .9/avg			3-3/8" (86mm) H x 1-3/8" (35mm) D x 7-5/8" (194mm) L
M9LZC	M9 Series		Surface, includes Chrome flange			6			

Model Series						Option Description
M6	M7	M9	600	700	900	
M6FC	M7FC	M9FC	6EFLANGE	7EFLANGE	90FLANGC	Chrome plated flange
M6FB	M7FB	M9FB	6FLANGEB	7FLANGEB	90FLANGB	Black flange



6EFLANGE



6FLANGEB



7EFLANGE



7FLANGEB



M6FC



M7FB

Pioneer™ Series Work Lights

Pioneer Nano™



Pioneer Micro™



Pioneer SlimLine™



Pioneer Surface Mount



Pioneer & Pioneer Plus™



Pioneer Max™



Pioneer Quad™



NEW Pioneer Life™



With their structural design and innovative optic technology, Whelen's Pioneer Series Super-LED® Work Lights are reliable and efficient. Models feature a variety of sizes and mounting options for every application and price point.

For more information, request Whelen's Pioneer Series catalog

Pioneer Mounting Options



PAR-36 and PAR-46

- Choose floodlight or spotlight models
- Black cast aluminum housing
- Hard-coated lenses minimize environmental damage from sand, sun, salt, and road chemicals
- Pedestal swivel models include T-handle
- Super-LED® with low current draw
- Stainless steel bracket and hardware included
- Two intensities available
- For 24 VDC models, contact factory
- Five year warranty



Floodlight Models							
Model	Diodes	Amps	Lumens	Mount	Switch	Cover	
PFBP12	12	1.7	1000	Pedestal swivel	Built-in on/off switch	Black	
PFBP12C						Chrome	
PFBP6	6	.85	500			Black	
PFBP6C						Chrome	
PFBS12	12	1.7	1000	Stud/swivel	-	Black	
PFBS12C						Chrome	
PFBS6	6	.85	500			Black	
PFBS6C						Chrome	
PFBS6S						Built-in on/off switch	Black
PFBS6S							Black
PFBS12S	12	1.7	1000			Black	

Spotlight Models							
Model	Diodes	Amps	Lumens	Mount	Switch	Cover	
PSBP12	12	1.7	1000	Pedestal swivel	Built-in on/off switch	Black	
PSBP12C						Chrome	
PSBP6	6	.85	500			Black	
PSBP6C						Chrome	
PSBS12	12	1.7	1000	Stud/swivel	-	Black	
PSBS12C						Chrome	
PSBS6	6	.85	500			Black	
PSBS6C						Chrome	
PSBS6S						Built-in on/off switch	Black
PSBS6S							Black
PSBS12S	12	1.7	1000			Black	

Hand Held Spot/Floodlights

- 90# pull magnet mount with 8' coiled cord and cigar plug
- Built-in push-button On/Off switch
- Five year warranty

Model	Lighting	Diodes	VDC	Amps	Lumens	Mount
P36HHS	Spot/flood	6	12/24	0.85 @ 12 VDC 0.425 @ 24 VDC	500	Hand held includes magnet
P46HHS	Spotlight	18	12	2.3	2000	



Rubber Housing Spot/Floodlights

- Rubber stud/swivel housing
- Available with or without lighthead
- Five year warranty

Model	Lighting	Diodes	VDC	Amps	Lumens	Mount
P36SLCHG	spot/flood	6	12/24	0.85 @ 12 VDC 0.425 @ 24 VDC	500	Stud/swivel
P46SLCHG	spotlight	9	12	2.3	2000	



Replacement Lamps

Model	Model	Lighting	Diodes	VDC	Amps	Lumens
P36SLC	PAR-36	spot/flood	6	12/24	0.85 @ 12 VDC 0.425 @ 24 VDC	500
P46SLC	PAR-46	2° spotlight	9	12	2.3	2000
P46FLC		8° spotlight	18		1.9	1600
P46WLC		20° high x 60° wide floodlight				

Pan & Tilt™ Spotlight

- Wired or wireless controlled spotlight
- Rated to last thousands of hours with remarkable bright light
- Hard-coated lenses minimize environmental damage from sand, sun, salt, and road chemicals
- Wireless controller mounts anywhere
- Proportional push-button control for quick and easy operation
- Low amp draw
- Tilts 90° up and 20° down
- Pans 420° horizontally
- Defaults to home position after use
- Size: 8-3/4" (220mm) H x 7-3/4" (196mm) Dia
- Five year warranty



Model	Mount	Controller	Base	Lens	Amps	Lumens	VDC
PT360P	Permanent	Wired	Black Polycarbonate	Hard coated polycarbonate resists scratches and UV damage	2 A (max)	1475	12
PT360PW		Wireless					
PT360F	Flange	Wired					
PT360FW		Wireless					

PAR-36 Heavy-Duty Work Light

- Cast aluminum housing
- Hard-coated lenses minimize environmental damage from sand, sun, salt, and road chemicals
- Includes stainless steel pedestal/swivel mount
- Deutsch waterproof connector
- Mounts standing or hanging
- 24 VDC available, contact factory
- Available in White
- Five year warranty



Model	Lighting	Diodes	Amps	Lumens	VDC	Size
3PC0C0CD	Spotlight	9	1.70	1,000	12	6-3/4" (171mm) H x 2-1/2" (64mm) D x 4-3/4" (121mm) L (without mounting)

Power Control Centers & Switches

- Adjustable bail bracket mounting
- Backlit function windows for choice of 72 standard press-on legend tabs
- PCC8R's basic eight position keypad with remote relay box is ideal for DOT, Tow and Wrecker vehicles
- Hand held or mounted to the dash or console, the WCC9 replaces the standard ECM (Electronic Control Module) on WeCan® lightbars
- Includes LED "On" indicator
- 12 VDC
- Two year warranty



PCCS9RW



PCC4W



PCCS9LW



PCC6W
PCC6W1



WCC9
WCC92



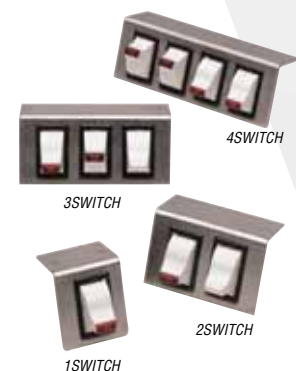
PCC8R



PCC10W
PCC10W1

Model	Type and Usage	Switches	Switch type	Installation	Size
PCCS9RW	High current center for lightbars/lighting systems without need for separately mounted relays or relay boxes	6 Push-buttons and 1 four position dip switch programmable slide switch	6 On/Off, momentary 20 amp relays	11 Fast-on outputs, 4 pos AMP Mate-N-Lok® -for control, 2 pos Molex Mini Fit SR® - for power	1-5/8" (40mm) H x 6-1/4" (159mm) D x 6" (152mm) L
PCCS9LW	Economical control center for use with Freedom®, & Liberty II™ lightbars	6 On/Off, 1 programmable On/Off switch	6 On/Off, 1 programmable On/Off switch	1 Nine position and 5 conductor AMP Mate-N-Lok connector, to match lightbar cables	1-5/8" (40mm) H x 4" (102mm) D x 6" (152mm) L
PCC4W	SPST, Lighted switches	4	25 amp	5 Wires power input, 5 wires output	2-1/4" (57mm) H x 4" (102mm) D x 3-1/4" (83mm) L
PCC6W		6	(6) 25 amp	8 Position rear connector block	2-1/4" (57mm) H x 3-5/8" (92mm) D x 6-5/8" (168mm) L
PCC6W1			(5) 25 amp, 1 momentary		
PCC10W		10	20 amp		
PCC10W1			(9) 20 amp, 1 momentary		
PCC8R	Eight position key pad with remote relay box	8	(3) 20 amp relays and (5) 10 amp relays	8 Position rear connector block, supplied wiring harness	Relay Box: 1-1/4" (32mm) H x 4-3/4" (121mm) D x 7-1/4" (184mm) L Control head same as WCC9
WCC9	Electronic control for Freedom and Justice® WeCan Lightbars	6 Push-buttons and 1 four position dip switch programmable slide switch for 10 primary functions	6 Normally open, momentarily closed tactile switches with 3-position slide switch	Small diameter, 22 gauge, 2-C cables, mates to your WeCan lightbar for easy installation	2-1/2" (64mm) H x 7/8" (22mm) D x 4-3/16" (106mm)L
WCC92	Electronic control for Liberty II and Legacy® WeCan Lightbars				

Switch Panel Models					
Model	Type	Usage	Switches	Switch Type	Illuminated
1SWITCH	"L" shaped aluminum switch bracket only Choose switches from choices below	For 1 switch	Optional	-	-
2SWITCH		For 2 switches			
3SWITCH		For 3 switches			
4SWITCH		For 4 switches			
PC1	Switch only with 15 amp contact	On/Off	1 Each	SPST	Yes
PC2		Momentary On		SPDT	-
PC3		On/Off/On			Yes



1SWITCH

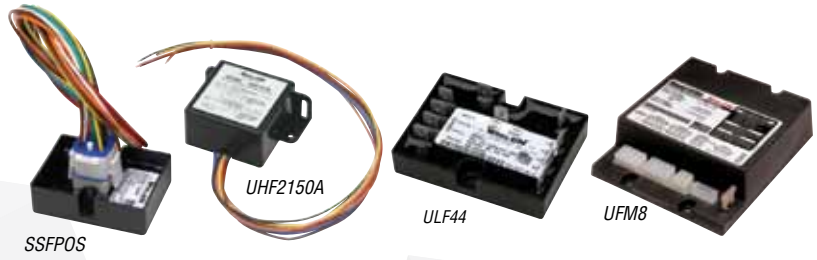
2SWITCH

3SWITCH

4SWITCH

Flashers

- Polycarbonate housing
- Fully encapsulated for moisture, vibration and corrosion resistance
- UHF Series has external mounting flanges
- Two year warranty



Model	Usage	Solid-State	Outlets	Switching	Amps	VDC	Patterns	Size
SSFPOS	Positive switching headlights	100%	2 Outlets	1x1	12.5 Per outlet	12	7	7/8" (22mm) H x 2-3/4" (70mm) D x 2" (50mm) L
UHF2150A	Positive or negative switching headlights	Controlled relay output	4 Outlets 4 Channels	2x2	5 Per outlet		4	1-1/2" (38mm) H x 3" (76mm) D x 4-1/4" (108mm) L
ULF44	LED lighthouse						62 Alt/simul	3/4" (26mm) H x 3-1/2" (89mm) D x 2-3/4" (70mm) L
UFM8	Halogen/LED lighthouse		4 outlets	2x2x2x2	17		3/4" (26mm) H x 3-1/2" (89mm) D x 2-3/4" (70mm) L	

Model	Option Description
LEDLOAD	In-line load resistor kit to interface with OEM turn signal circuit

Electronic Back-Up Alarms

- Meets OSHA, Bureau of Mines, and all State regulations
- Glass filled nylon housing
- Encapsulated solid-state electronics
- Steam cleanable; pressure washable
- Mount horizontally or vertically
- One year warranty



Model	Decibels	SAE Code	VDC	Size
WBUA97	97	SAE J994 - Type C	12/24	2-3/4" (69mm) H x 1-1/2" (38mm) D x 4" (102mm) L
WBUA107	107	SAE J994 - Type B		2-3/4" (69mm) H x 1-1/2" (38mm) D x 4" (102mm) L
WBUA112	87-112	--		4" (101mm) H x 2-7/8" (73mm) D x 5-1/8" (130mm) L
WBUA112C	112	SAE J994 - Type A		4" (101mm) H x 2-7/8" (73mm) D x 5-1/8" (130mm) L

Wing Plow™ Series

- Fully encapsulated for vibration, moisture and corrosion resistance
- Hard-coated lenses minimize environmental damage from sand, sun, salt, and road chemicals
- Two styles of Amber lighthoods provide complete coverage whether snowplow wing is in the operation position or in the stowed travel position
- Five year warranty



Model	Usage	Technology	Patterns	Cable	VDC	Housing
WFLOW1A	Deployed	TIR3™ SmartLED	24 Scan-Lock™ plus steady-burn	20' Heavy-duty TPR with built in strain relief connectors	12	Rugged cast aluminum
WFLOW2A	Stowed					
WFLOW3AA	Deployed/Stowed	LINZ6™ SmartLED				
WFLOWZ1A	Deployed					
WFLOWZ2A	Stowed					
WFLOWZ3A	Deployed/Stowed					

Model	Option Description
W441DIN	Deutsch® waterproof 3 pins and connector kit, cable end
W442DIN	Deutsch waterproof 3 sockets and connector kit, lighthouse end



Fleet-Rack™

- Fleet-Rack frame design mounts a variety of emergency lighting products including: full size or mini lightbars, beacons, auxiliary lighting and flood or spot lights
- TA Fleet-Rack frame design incorporates a factory installed, integrated 16-Lamp ION™ Super-LED® Traffic Advisor™ (left, right, split, and flash)
- Steel construction with Black powder coating
- Pre-drilled access holes accommodate a wide range of lighting
- Installs easily for fleets integrating both lighting and truck rack
- Wiring channels protect and cover wiring for security, long life serviceability and a neat, professional appearance for your truck



Base model with a Liberty™ II lightbar and ION Traffic Advisor

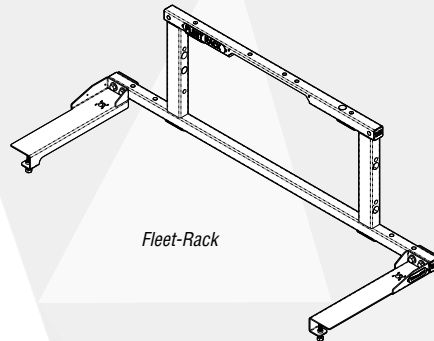
Fleet-Rack	
Model	Vehicle
FR01	Ford Super-Duty, 2015-2016
FR03	Chevy Silverado, 1500, 2500 Series, 2015-2016
FR04	Dodge Ram 1500 without RAMBOX, 2015-2016
FR05	Ford F150, 2015-2016

Fleet-Rack ION Traffic Advisors	
Model	Vehicle
TAFR01	Ford Super-Duty, 2015-2016
TAFR03	Chevy Silverado, 1500, 2500 Series, 2015-2016
TAFR04	Dodge Ram 1500 without RAMBOX, 2015-2016
TAFR05	Ford F150, 2015-2016

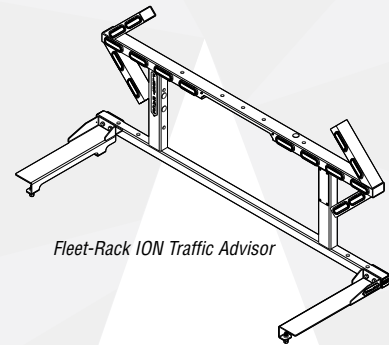
Optional Kits		
Model	Description	Rack Model
FRWB	Wing window bar guard	FR01, FR03, FR04, FR05
FRCB	Center window guard kit	Fits All
FRCS	Center window screen kit	FR03, TAFR03, FR05, TAFR05
FRCS04		FR04, TAFR04
FRCSSD	wing window screen kit	FR01, TAFR01
FRWS		FR03, FR04, FR05
FRWSSD		FR01
FRCBM	Center mount beacon bracket kit	FR01, FR03, FR04, FR05
FREBM	End beacon mount bracket	FR01, FR03, FR04, FR05

Base Models

Designed to fit specific vehicle body styles and includes pre-drilled holes and wire channel access for every mounting option available

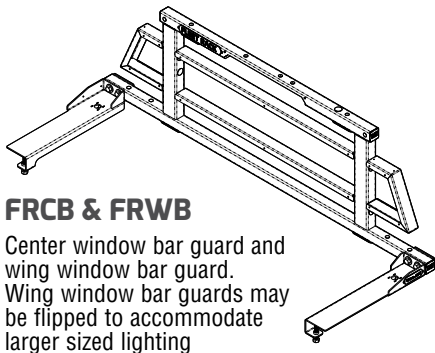


Fleet-Rack



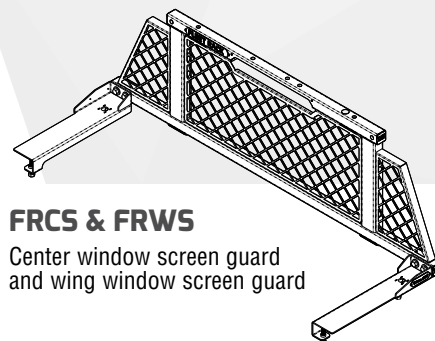
Fleet-Rack ION Traffic Advisor

Base Model with Optional Kits



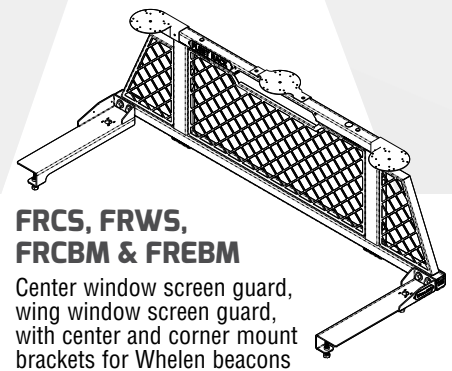
FRCB & FRWB

Center window bar guard and wing window bar guard. Wing window bar guards may be flipped to accommodate larger sized lighting



FRCS & FRWS

Center window screen guard and wing window screen guard



FRCS, FRWS, FRCBM & FREBM

Center window screen guard, wing window screen guard, with center and corner mount brackets for Whelen beacons



Legal Lighting Systems

- All Whelen DOT3® Legal Lighting Systems are certified by an AMECA-accredited testing laboratory to meet or exceed SAE Class 1 warning lighting requirements in the appropriate specified safety colors
- High and wide lighting profiles helps outline vehicles during operation
- Hard-coated lenses minimize environmental damage from sand, sun, salt, and road chemicals
- Increased rear-end visibility with wide-angle Super-LED® lighthoods visible even when dump body is in raised or lowered position
- All lighthoods are supplied with Deutsch® waterproof connectors
- All warning lighthood colors are Amber. For other colors, contact factory
- Hard coated lenses resist environmental damage from the sun, salt, and road chemicals
- The system offers multiple flash patterns and sequence options
- Each system includes complete installation kit
- Optional aluminum housings available
- Five year warranty

DOT3 System Components

Front System

Choice of four Super-LED models with 360° warning visibility for front coverage. Includes 60' of heavy-duty TPE cable

Micro Freedom®



3-3/4" (95mm) H x 9-5/16" (236mm) D x 12-5/16" (312mm) L

Micro 400



3-3/4" (95mm) H x 10-3/4" (272mm) D x 10" (254mm) L

Stainless Steel Micro 400



3-5/8" (92mm) H x 8-1/4" (209mm) D x 8-1/4" (209mm) L

Remote L31 Beacon



4-1/2" (102mm) H x 7-3/16" (182mm) Dia.

Rear Lighthoods

Rear lighthoods are offered in 3 sizes. 400 V-Series™ features primary 180° warning and secondary directional lighting with Linear optics

400 Series

4-15/16" (124mm) H x 3-3/16" (77mm) W



400 V-Series™



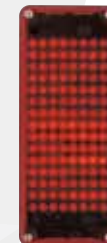
500 Series

5" (127mm) H x 1-5/8" (41mm) W



700 Series

7-1/4" (184mm) H x 3-1/16" (78mm) W



Rear Housings

Rear mounted lighthoods include 30' heavy-duty, oil resistant TPE jacketed cable with strain relief flex tubing and couplings that provide added safeguard against the elements. Choice of standard heavy-duty welded stainless steel or optional aluminum housings

400 Series



Height: Single: 5-7/8" (149mm)
Double: 11-3/8" (290mm)
Triple: 17" (430mm)
Width 3-1/2" (88mm)
Depth: 4-3/4" (120mm)

500 Series



Height: Single: 7" (178mm)
Double: 13-3/4" (348mm)
Triple: 20-3/8" (518mm)
Width: 2-1/2" (65mm)
Depth: 5" (127mm)

700 Series



Height: Single: 8-3/8" (213mm)
Double: 16-1/4" (412mm)
Triple: 24" (608mm)
Width 3-1/2" (88mm)
Depth: 5" (127mm)

DOT3[®] Standard Components



12" protective flex tubing and couplings to the lighthouse connections protects the cabling and provides strain relief



Waterproof, oil and corrosion-resistant tin coated, pure copper stranded conductors used in all TPE cables. Each wire strand in each cable is tin coated for the full length of the cable, providing superior longevity. Designed to last for the life of the vehicle. Optional cable lengths are available



Centralized DOT Flasher/Junction box for total system control. Offers various flash patterns, system flash sequence, and switching flexibility. The flasher also provides onboard Diagnostix™



Top of the line Deutsch® waterproof connectors furnished with all rear lighthouses



400 & 700 Series lighthouse housings are 7 gauge and 500 Series are 11 gauge welded stainless steel. You may choose optional welded aluminum housings

DOT3 Options



400 V-Series™ Features primary 180° warning and secondary directional lighting with Linear optics - SUB4V400



L31 Branch Guard with cast aluminum base - L360BGB



Wing Plow™ Lighting Systems with TIR3 or LINZ6™ light modules for high visibility in both the snowplow's wing in stowed and travel positions -
WPLOW3AA - TIR3
WPLOW3A - LINZ6



Combination LED spot/flood or flood work light with rubber housing and stainless steel hardware -
P36SLCHG - Spot/Floodlight
P46SLCHG - Floodlight



TIR3™ Side Light for 400 and 700 Series rear housings -
ADD4TIR3 - 400 Series
ADD7TIR3 - 700 Series



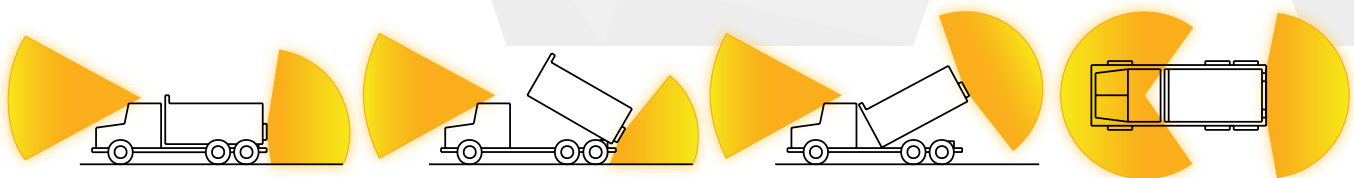
Switch Control Panels rated at 25 amps per switch -
PCC4W - 4 switch
PCC6W - 6 switch



Extension Cables in single or pairs in 30' and 45' lengths (See current price list for models)



DOT Photocell for Hi/Low power, includes Black flange - DOTPHOTO



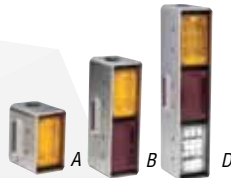
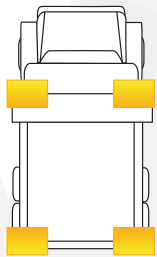
Wide-angle lighthouses give visibility with the dump box in raised and lowered positions.

Standard System Configurations

DOT3401, DOT3501 & DOT3701

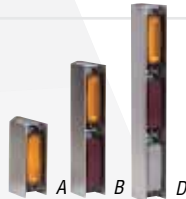
4 Light System

Two Micro Freedom® lamps with extended corner modules and two rear lighthouse options



SYSTEM 401 with 400 Series Lighthouses

- DOT3401A Warning
- DOT3401B Warning and brake/tail/turn
- DOT3401D Warning, brake/tail/turn and back-up



SYSTEM 501 with 500 Series Lighthouses

- DOT3501A Warning
- DOT3501B Warning and brake/tail/turn
- DOT3501D Warning, brake/tail/turn and back-up



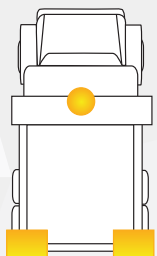
SYSTEM 701 with 700 Series Lighthouses

- DOT3701A Warning
- DOT3701B Warning and brake/tail/turn
- DOT3701D Warning, brake/tail/turn and back-up

DOT3402, DOT3502 & DOT3702

3 Light System

One L31 remote beacon and two rear lighthouse options



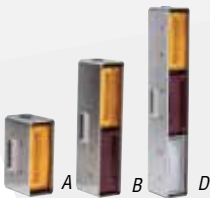
SYSTEM 402 with 400 Series Lighthouses

- DOT3402A Warning
- DOT3402B Warning and brake/tail/turn
- DOT3402D Warning, brake/tail/turn and back-up



SYSTEM 502 with 500 Series Lighthouses

- DOT3502A Warning
- DOT3502B Warning and brake/tail/turn
- DOT3502D Warning, brake/tail/turn and back-up



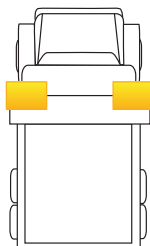
SYSTEM 702 with 700 Series Lighthouses

- DOT3702A Warning
- DOT3702B Warning and brake/tail/turn
- DOT3702D Warning, brake/tail/turn and back-up

DOT3103

2 Light System

Two Micro Freedoms with extended corner modules



SYSTEM 103

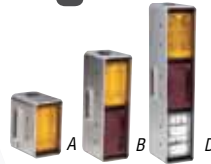
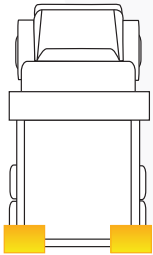
- DOT3103..... Two front Amber warning lights

Standard System Configurations

DOT3404, DOT3504 & DOT3704

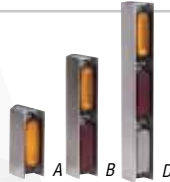
2 Light System

Two rear lighthouse options



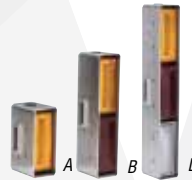
SYSTEM 404 with 400 Series Lightheads

- DOT3404A Warning
- DOT3404B Warning and brake/tail/turn
- DOT3404D Warning, brake/tail/turn and back-up



SYSTEM 504 with 500 Series Lightheads

- DOT3504A Warning
- DOT3504B Warning and brake/tail/turn
- DOT3504D Warning, brake/tail/turn and back-up



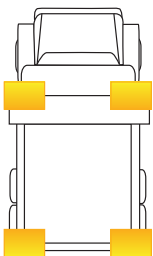
SYSTEM 704 with 700 Series Lightheads

- DOT3704A Warning
- DOT3704B Warning and brake/tail/turn
- DOT3704D Warning, brake/tail/turn and back-up

DOT3405, DOT3505 & DOT3705

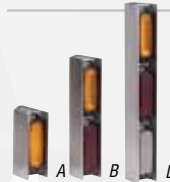
4 Light System

Two Micro 400s and two rear lighthouse options



SYSTEM 405 with 400 Series Lightheads

- DOT3405A Warning
- DOT3405B Warning and brake/tail/turn
- DOT3405D Warning, brake/tail/turn and back-up



SYSTEM 505 with 500 Series Lightheads

- DOT3505A Warning
- DOT3505B Warning and brake/tail/turn
- DOT3505D Warning, brake/tail/turn and back-up



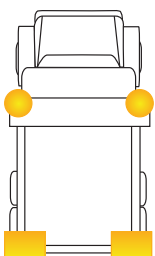
SYSTEM 705 with 700 Series Lightheads

- DOT3705A Warning
- DOT3705B Warning and brake/tail/turn
- DOT3705D Warning, brake/tail/turn and back-up

DOT3406, DOT3506 & DOT3706

4 Light System

Two L31 remote beacons and two rear lighthouse options



SYSTEM 406 with 400 Series Lightheads

- DOT3406A Warning
- DOT3406B Warning and brake/tail/turn
- DOT3406D Warning, brake/tail/turn and back-up



SYSTEM 506 with 500 Series Lightheads

- DOT3506A Warning
- DOT3506B Warning and brake/tail/turn
- DOT3506D Warning, brake/tail/turn and back-up



SYSTEM 706 with 700 Series Lightheads

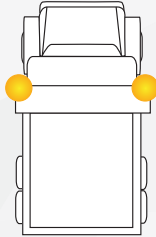
- DOT3706A Warning
- DOT3706B Warning and brake/tail/turn
- DOT3706D Warning, brake/tail/turn and back-up

Standard System Configurations

DOT3107

2 Light System

Two remote L31 Beacons



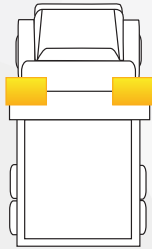
SYSTEM 107

DOT3107.....Two front Amber warning lights

DOT3108

2 Light System

Two Micro 400s



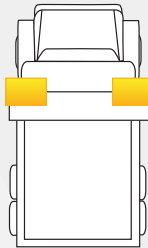
SYSTEM 108

DOT3108.....Two front Amber warning lights

DOT3109

2 Light System

Two stainless steel Micro 400s



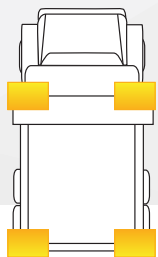
SYSTEM 109

DOT3109.....Two front Amber warning lights

DOT3410, DOT3510 & DOT3710

4 Light System

Two stainless steel Micro 400s and two rear lighthouse options



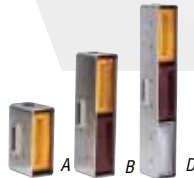
SYSTEM 410 with 400 Series Lighthouses

DOT3410AWarning
 DOT3410BWarning and brake/tail/turn
 DOT3410DWarning, brake/tail/turn and back-up



SYSTEM 510 with 500 Series Lighthouses

DOT3510AWarning
 DOT3510BWarning and brake/tail/turn
 DOT3510DWarning, brake/tail/turn and back-up

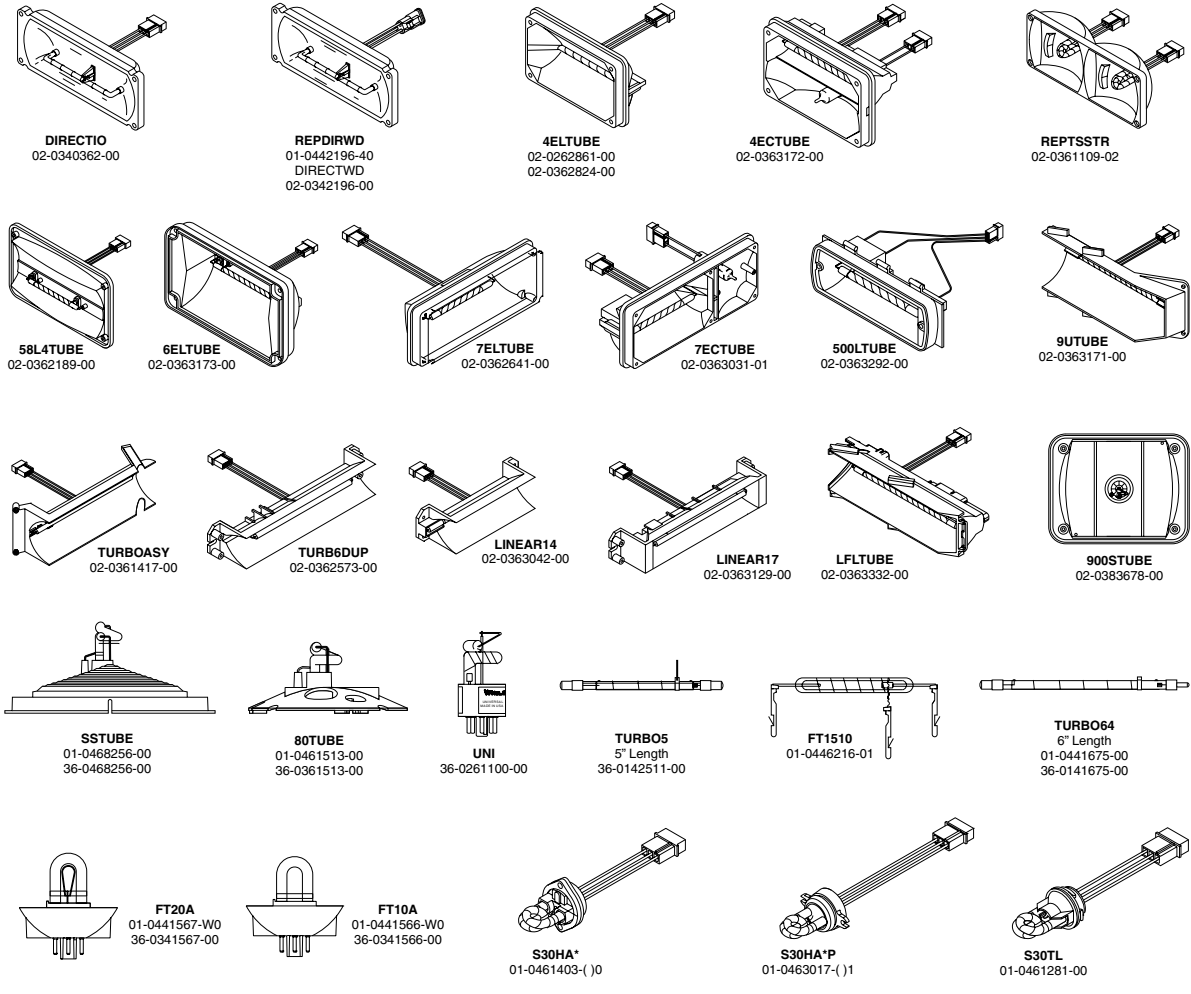


SYSTEM 710 with 700 Series Lighthouses

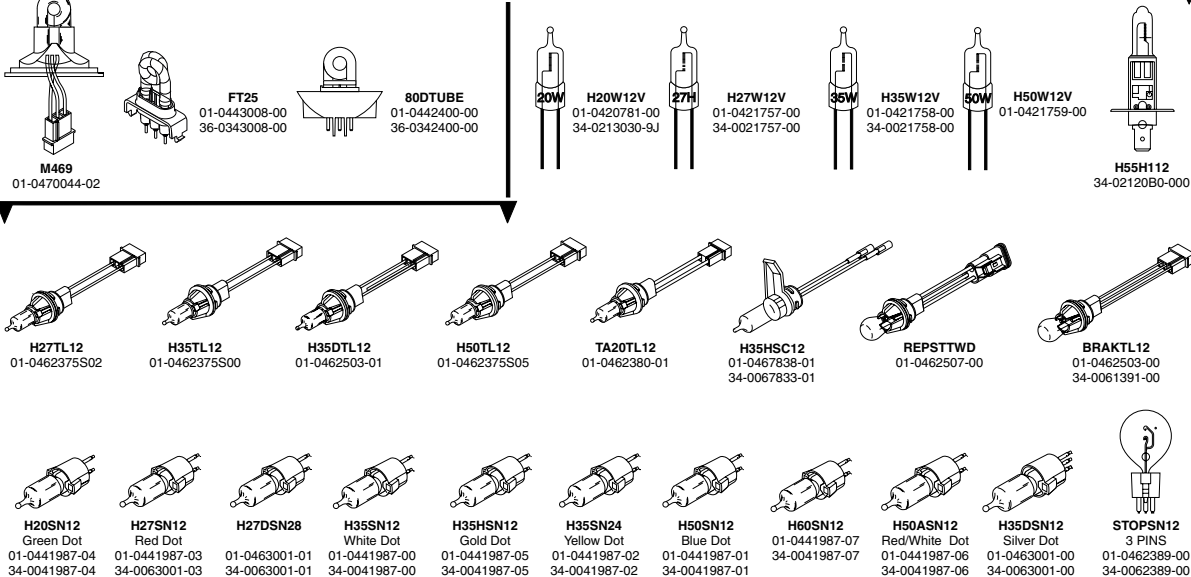
DOT3710AWarning
 DOT3710BWarning and brake/tail/turn
 DOT3710DWarning, brake/tail/turn and back-up

Pictorial reference guide for strobe, halogen and incandescent replacement bulbs

STROBE



HALOGEN & INCANDESCENT



Lighting Certifications

Providing the finest, certified lighting for our customers is a priority at Whelen Engineering Company. Listed below are the various certification standards used to test and certify our products for the DOT, Public Works, Utility, Towing and Contractor marketplace. As we are constantly upgrading and testing our products, it is impossible to print a document with all of the current information. Our team of customer service or field sales representatives will be happy to answer questions regarding this information and any other specific state or federal regulation that might apply to your criteria for decision-making on lighting devices for your vehicles.

A..... KKK 1822-F - Federal Ambulance Specification

B CAC, Title 13, Article 22 (Red, Blue and Amber lighthead)

Warning Lamps and Devices

C SAE J595 - Flashing Warning Lamps for Authorized Emergency, Maintenance, and Service Vehicles (Jan 90)

D SAE J845 - 360° Warning Devices for Authorized Emergency, Maintenance, and Service Vehicles (May 97) Class 1, Class 2, Class 3 (Includes selective coverage)

E..... SAE J1318 - Gaseous Discharge Warning Lamp for Authorized Emergency, Maintenance, and Service Vehicles (May 98) Class 1, Class 2, Class 3

Test Procedures and Materials

F..... SAE J575 - Test Methods and Equipment for Lighting Devices & Components for use on Vehicles less than 80" (2032mm) in Overall width (Jun 92)

G SAE J2139 - Test Methods and Equipment for Lighting Devices & Components for use on Vehicles greater than 80" (2032mm) in Overall width (Jan 96)

H SAE J578 - Color Specifications (Jun 95)

Signalling and Marking Lighting Devices and Systems

I FMVSS108 - Federal Motor Vehicle Safety Standards

J..... SAE J586 - Stop Lamps for use on Motor Vehicles Less than 80" (2032mm) in Overall width (Sep 95)

K SAE J585 - Tail Lamps (Rear position Lamps) for Use on Motor Vehicles Less than 80" (2032mm) in Overall width (Dec 94)

L..... SAE J588 - Turn Signal Lamps for Use on Motor Vehicles Less than 80" (2032mm) in Overall width (Dec 94)

M ... SAE J592 - Clearance, Side Marker, Identification Lamps (Dec 94)

N SAE J593 - Back-up Lamps (Reversing Lamps) (Oct 95)

N(A) SAE J593C - Back-up Lamps (Reversing Lamps) (Feb 68)

O SAE J914 - Side Turn Signal Lamps for Vehicles less than 36' (12m) in Length (Jan 95)

P SAE J1432 - High Mounted Stop lamps for Use on Vehicles 80" (2032mm) or More in Overall Width (Sept 97)

Q SAE J1889 - LED Lighting Devices (Jun 99)

R SAE J1957 - Center High Mounted Stop Lamp Standard for Vehicles Less than 80" (2032mm) in Overall Width (Jun 93)

S SAE J2039 - Side Turn Signals Lamps for Large Vehicles (Jun 94)

T..... SAE J2040 - Tail Lamps (Rear Position Lamps) for Use on Vehicles 80" (2032mm) or More in Overall Width (Apr 99)

U SAE J2042 - Clearance, Side Marker, and Identification Lamps for Use on Motor Vehicles 80" (2032mm) or More in Overall Width (Jun 96)

V SAE J2261 - Stop Lamps and Front and Rear-Turn Signal Lamps for Use on Motor Vehicles 80" (2032mm) or More in Overall Width (Mar 96)

W ... NFPA 1901 - (2009 Edition) For NFPA application consult current NFPA Specification Lighting Packages Catalog

X SAE J1398 - Stop Lamps for Use on Motor Vehicles 80" (2032mm) or More in Overall Width

Y SAE J1395 - Turn Lamps for Use on Motor Vehicles 80" (2032mm) or More in Overall Width

WHELEN LED TERMINOLOGY

Generation 1 - (LED)
5mm diode technology

Generation 2
Piranha diode technology

Generation 3
Barracuda diode technology, standard diode and optic package

Generation 3.5 - (Super-LED®)
A special package containing the brightest diode and widest visibility optic technology available

TIR - (Super-LED)
Whelen's optimized use of Generation 3.5 diodes and unique optics to produce highly intense light that is somewhat directional in nature

Linear-LED® - (Super-LED)
Whelen's patented use of Generation 3.5 diodes and unique reflector optics to produce highly intense light that has superior wide-angle visibility and rivals strobe in performance

SmartLED®
Whelen's distinctive use of self-contained electronics to power and flash a particular LED product. These products require no external flasher, ballast or power supply to operate.

Alphabetical Product Index

0	0S™ Series Lighthoods	37,52	LED Beacons	3-8	
2	2" Round Lighthoods	52	L	Legacy™ Series Lightbars	19
	2G Series Lighthoods	37		LINV2 V-Series Lighthoods	42
3	3" Round Lighthoods	38		Liberty™ II Series Lightbars	20
	360° Super-LED® Beacons	3-8		LIN3™ Series Lighthoods	42
4	4" Round Lighthoods	38		LINZ6™ Series Lighthoods	42
	400 Series Lighthoods	43	M	M Series Lighthoods	33-35,47,49,53
5	500 Series Lighthoods	44		Micro Freedom Lighthouse	37
	5G Series Lighthoods	37		Micron Series Lighthoods	36
6	6" Round Interior Lighthoods	51		Mini Century Lightbars	15
	600 Series Lighthoods	45		Mini Freedom IV Lightbars	16
7	700 Series Lighthoods	46		Mini Freedom IV Rotating Lightbars	17
8	8" Round Interior Lighthoods	51		Mini Justice Lightbars	15
9	900 Series Lighthoods	46,47,48		Mini Legacy Lightbars	18
A	Avenger™ Series Lights	9		Mini Liberty II Lightbars	18
B	Back-up Alarms	58		Mini Responder LP™ Lightbars	13-14
	Back-up Lights	49		Mini Responder Lightbars	13
	Brake/Tail/Turn Lights	47	O	Outer Edge® Lightbars	28
C	Certification Standards	66	P	Pan & Tilt™ Spotlight	56
	Century™ Series Lightbars	24		PAR-36 & PAR-46 Series Lighthoods	54
	Compartment Lights	50-52		PAR-36 Heavy-Duty Work light	55
D	Dash & Deck Lighting	9-10		PEL Series Perimeter Enhancement Light	52
	Dominator™ & Dominator Plus™ Series	11		Pioneer™ & Pioneer Plus™ Series Lighthoods	54
	DOT-LED® Systems	60-64		Power Control Centers	57
F	Fleet-Rack™ Truck Rack	59	R	R316 & R416 Series LED Beacons	3
	Flashers	58		Replacement Lamp Guide	65
	FlatLighter™ Series Lights	10	S	Scenelights	53
	Fluorent™ Interior Lighting	50		SlimLighter™ Series Lights	10
	Freedom® IV & Rota-Beam™ Freedom IV Lightbars	21-22		Slim-Miser™ Series Lights	10
I	Inner Edge® RTX Lightbars	26		SpitFire™ ION™ Lights	9
	Inner Edge XLP Lightbars	27		Strip-Lite™ Series Lighthoods	39
	Interior Lighting	50-53		Switches	57
	ION™ Series Lighthoods	40	T	TIR3™ Lighthoods	42
	ION T-Series Lighthoods	39		Towman's™ Series Lightbars	25
	ION V-Series™ Lighthoods	41		Tracer™	32
J	Justice® Series Lightbars	23		Traffic Advisor™, Arrow Style	31
L	L10 Series Beacons	6		Traffic Advisor, Straight Style	29-30
	L21 Series Beacons	7		Turn Lights	48
	L31 & L32 Series Beacons	4	V	Vertex™ Series Lighthoods	36
	L41 Series Beacons	5		V-23 Series Lighthoods	33
	L51 & L53 Series Beacons	8	W	Wing Plow™ Lights	58



Made to Order Products



Products meeting Underwriters Laboratories requirements

Notice:

Dimensions indicated for products are within +/- 1/16" (1.58mm) tolerance. Metric equivalents are rounded to nearest whole number. For special applications requiring more precise measurement, contact factory.

Prior to using any interior light, consult your vehicle's owner manual to insure proper use with air bag safety systems.

The use of a magnetic or suction mounted beacon on the roof of a vehicle in motion is not recommended, and is at the sole discretion and risk of the user.

CometFlash, DOT3, DOT-LED, Freedom, Justice, Legacy, Linear-LED, SI TEST, Universal, Responder, SmartLED, Super Strobe, Super-LED, HDP, Edge and WeCan are registered trademarks of Whelen Engineering Company, Inc.

0S, Avenger, Century, Competitor, Competitor Plus, Cross-Link, CON3, Diagnostix, Dominator, Dominator Plus, DUO, Edge+Plus, Flatlighter, Fleet-Rack, Fluorent, Grille-Master, ION, Liberty, Linear, LIN3, LIN6, LINZ6, LINV2, Micron, Pan and Tilt, Perimeter, Pioneer Micro, Pioneer, Pioneer Plus, Pioneer SlimLine, Pioneer Nano, Pioneer Quad, RapidFire, Rota-Beam, Scan-Lock, SignalAlert, Slim-Miser, SlimLighter, SpitFire, SpitFire Plus, Strip-Lite, T-Series, TIR3, TIR6, Towman's, Traffic Advisor, TRIO, Vertex, V-Series & Wing Plow are trademarks of Whelen Engineering Company, Inc.

Mate-N-Lok is a registered trade mark of the AMP Corporation, Deutsch is a registered trade mark of Deutsch Engineered Connecting Devices

UL® is a registered trademark of Underwriters Laboratories LLC

Velcro® is a registered trademark of Velcro Industries B.V. 2008

Molex® is a registered trademark of Molex LLC, its affiliates, related companies, licensors, and/or joint venture partners

NASCAR® is a registered trademark of the National Association for Stock Car Auto Racing, Inc.

Whelen Trademarks are the property of Whelen Engineering Company, Inc. and may be used only as set forth in the Guidelines for Use of Whelen Trademarks available at www.whelen.com. Unauthorized use of the Whelen Trademarks for commercial purposes may constitute trademark infringement and unfair competition in violation of federal and state laws.

WHELEN[®]

ENGINEERING COMPANY, INC

51 Winthrop Road
Chester, CT 06412-0684
860-526-9504
www.whelen.com

ISO 9001 Registered QMS

Distributed by:



WhelenENG



OFFICIAL WARNING LIGHTS OF



Whelen Engineering reserves the right to upgrade and improve products without notice.
© 2016 Whelen Engineering Company, Inc. Printed in U.S.A.
NASCAR[®] is a registered trademark of the National Association for Stock Car Auto Racing, Inc.
Code No. 10742P - 10/10/16