

WHELEN[®]

Pioneer[®] Series

Professional Super-LED[®]
Floodlights, Spotlights & Mounting

OFFICIAL VEHICLE ILLUMINATION LIGHTS OF


Table of Contents

<i>Pioneer™ and Pioneer Plus™ Lightheads....</i>	<i>4-5</i>
<i>Pioneer and Pioneer Plus Mounting....</i>	<i>6-7</i>
<i>Pioneer and Pioneer Plus Pole/Pedestal Mounting.....</i>	<i>8</i>
<i>Pioneer Plus Surface Mount.....</i>	<i>9</i>
<i>Pioneer Quad™ 4 Lamp - 120 AC Series.....</i>	<i>10</i>
<i>Pioneer SlimLine™</i>	<i>11</i>
<i>Pioneer Micro™ ..</i>	<i>12-13</i>
<i>Pioneer Nano™</i>	<i>13</i>
<i>3000 and 3100 Series Pole Mounting..</i>	<i>14-15</i>
<i>3000 and 3100 Series Side Mount Pole Dimensions..</i>	<i>16-17</i>
<i>3050 Series Pole Mounting.....</i>	<i>18</i>
<i>3050 Series Pole Dimensions.....</i>	<i>19</i>
<i>3200 Series Folding Tripod AC Pole Assemblies...20-21</i>	
<i>3300 Series Ground Tripods...20-21</i>	
<i>3200 Series Folding Tripod Dimensions...22-23</i>	
<i>3300 Series Ground Tripod Dimensions.....</i>	<i>23</i>
<i>Pioneer and Pioneer Plus Lighthead and Mounting Dimension Drawings.....</i>	<i>24-32</i>
<i>Pioneer Series Isocandela Plots.....</i>	<i>33</i>
<i>Floodlight and Spotlight Comparison Photos....</i>	<i>34-39</i>

NEW

Pioneer™ LiFe Series

Introducing the Pioneer LiFe Series, a family of revolutionary battery powered portable area lights designed to bring Whelen's advanced Pioneer technology where other lights can't go.

The Pioneer LiFe LF35 is the first of its kind, combining an all new Pioneer SlimLine™ optic with the portability and flexibility of a grab and go light.

The Intelligent Inductive Charger with no exposed contacts provides easy, wireless charging, and the built-in battery is lightweight and thermally protected. The LiFe LF35 is just 7.5 pounds, lighter than any other portable area light on the market today.

The Pioneer LiFe LF35 is designed, manufactured, and assembled in the United States.

Don't be left in the dark if you are the first to arrive on the scene.



Pioneer & Pioneer Plus™ Series

Spotlights, Floodlights, and Combination Flood/Spotlights

- **NEW** Pioneer Plus Combination Floodlight/8° Spotlight
- Injection molded polycarbonate optic lenses are hard-coated to minimize environmental damage from sand, sun, salt, and road chemicals
- Die-cast aluminum powder coated housing in Black or White
- 100% solid-state electronics
- Color temperatures reach 6,000° Kelvin, simulating bright midday light
- Instant On/Off, eliminating ramp up time and high current inrush
- Rated to last thousands of hours
- Models available in 25.6 VDC, contact factory
- Five year warranty



PFA1
Pioneer Floodlight



PFP2
Pioneer Plus Dual Floodlight



PFS1
Pioneer Plus Combination Floodlight / Spotlight



PFS2
Pioneer Plus Dual Combination Floodlight / Spotlight



PSP1
Pioneer Plus 8° Spotlight



PTP1
Pioneer Plus 2° Spotlight



PCP3
Pioneer Max™ Combination Dual Pioneer Plus Floodlight / 8° Spotlight



PCP2AFS
120 Volt AC Combination Dual Pioneer Plus Floodlight / 8° Spotlight



PCP2ASF
120 Volt AC Combination Dual Pioneer Plus Floodlight / 8° Spotlight



MODELS

Pioneer Floodlight	Lamp	Housing	Volts	Amps	Watts	Lumens
PFA1	Single	White	12.8 VDC	3.1	40	3,700
PFA2	Dual	White	12.8 VDC	6.2	80	7,400
PFA14	Single	White	25.6 VDC	1.55	40	3,700
PFA24	Dual	White	25.6 VDC	3.1	80	7,400
PFA1B	Single	Black	12.8 VDC	3.1	40	3,700
PFA2B	Dual	Black	12.8 VDC	6.2	80	7,400
PFA14B	Single	Black	25.6 VDC	1.55	40	3,700
PFA24B	Dual	Black	25.6 VDC	3.1	80	7,400

Pioneer Plus™ Floodlight

PFP1	Single	White	12.8 VDC	6.25	80	8,100
PFP2	Dual	White	12.8 VDC	12.5	160	16,000
PFP14	Single	White	25.6 VDC	3.1	80	7,400
PFP24	Dual	White	25.6 VDC	6.25	160	16,000
PFP1B	Single	Black	12.8 VDC	6.25	80	8,100
PFP2B	Dual	Black	12.8 VDC	12.5	160	16,000

Pioneer Plus Floodlight (115 VAC, UL® Certified Models)

PFP1AC	Single	White	115 VAC	0.6	75	7,500
PFP2AC	Dual	White	115 VAC	1.2	150	15,000

Pioneer Plus 8° Spotlight (115 VAC, UL Certified Models)

PSP1AC	Single	White	115 VAC	0.6	75	7,500
--------	--------	-------	---------	-----	----	-------

Pioneer Plus Floodlight/Spotlight (115 VAC, UL Certified Models)

PCP2AFS	Dual, Flood - Left, Spot - Right	White	115 VAC	1.2	150	15,000
PCP2ASF	Dual, Flood - Right, Spot - Left	White	115 VAC	1.2	150	15,000

Pioneer Max™ Dual Floodlight/Spotlight Combination (115 VAC, UL Certified Models)

PCP3A	Dual Floodlight & 8° Spotlight	White	115 VAC	1.5	180	17,000
PCP3AB	Dual Floodlight & 8° Spotlight	Black	115 VAC	1.5	180	17,000

Pioneer Plus Spotlight

PTP1	Single 2°	White	12.8 VDC	6.0	75	8,000
PSP1	Single 8°	White	12.8 VDC	6.0	75	8,000

NEW Pioneer Plus Combination Floodlight/Spotlight

PFS1	Single	White	12.8 VDC	6.1	80	8,100
PFS1B	Single	Black	12.8 VDC	6.1	80	8,100
PFS2	Dual	White	12.8 VDC	12.2	160	16,200
PFS2B	Dual	Black	12.8 VDC	12.2	160	16,200

Pioneer Max Dual Floodlight/Spotlight Combination

PCP3	Dual Floodlight & 8° Spotlight	White	12.8 VDC	16.5	210	20,000
PCP3B	Dual Floodlight & 8° Spotlight	Black	12.8 VDC	16.5	210	20,000
PCP34	Dual Floodlight & 8° Spotlight	White	25.6 VDC	8.25	210	20,000
PCP34B	Dual Floodlight & 8° Spotlight	Black	25.6 VDC	8.25	210	20,000

Mounting Purchased Separately

See page 24 for lighthead and mounting dimensions

Pioneer & Pioneer Plus™ Mounting



PBA106U / PBA206U
Universal bail bracket



PBA103 / PBA203
Semi-recessed mount with Chrome trim ring



PBAPEDA / PBAPEDD
Pedestal mount adapter

PBAPEDAL / PBAPEDDL
Locking pedestal
mount adapter

Mounting Options*

Model	Lamp	Description
PBAPEDA	Single or Dual	Pedestal mount adapter for AC models, includes 20' of 3-C cable
PBAPEDAL	Single or Dual	Locking pedestal mount adapter for AC models, includes 20' of 3-C cable
PBAPEDD	Single or Dual	Pedestal mount adapter for DC models, includes 20' of 4-C cable
PBAPEDDL	Single or Dual	Locking pedestal mount adapter for DC models, includes 20' of 4-C cable
PBA103	Single	Semi-recessed with Chrome trim ring, housing mounts light straight out or at 15° downward angle
PBA203	Dual	Semi-recessed with Chrome trim ring, housing mounts lights straight out or at 15° downward angle
PBA106U	Single	Universal bail bracket mounts to a horizontal or vertical surface and provides flexible mounting
PBA206U	Dual, Max™ or Quad™	Universal bail bracket mounts to a horizontal or vertical surface and provides flexible mounting

Lighthouse Purchased Separately

* Fits Pioneer and Pioneer Plus



PBA0130
3" Radius brow mounting bracket

Brow Mounting for Specific Chassis Manufacturer*

Model	Lamp	Description
PBASPTN	Single or Dual	Spartan Gladiator and Metro Star chassis
PBAFERA	Single or Dual	Ferrara Inferno, Igniter, Cinder, and Intruder chassis
PBAHME	Single or Dual	HME chassis
PBASUT	Single or Dual	Sutphen Monarch chassis
PBAE1	Single or Dual	E-One Cyclone and Typhoon chassis
PBAE1Q1	Single (pair)	E-One Quest chassis
PBAE1Q	Dual (pair)	E-One Quest chassis
PBAKME	Single or Dual	KME Predator and Panther chassis
PBA0130	Single or Dual	Seagrave Marauder and Attacker chassis (3" radius)
PBAINTC	Dual (center mount)	International Terrastar, 4300, 4400, and 7400 chassis
PBAM2	Dual (center mount)	Freightliner M2
PBARSNC	Single and Dual (center mount)	Rosenbauer Commander chassis
PBARSNO	Single and Dual (outboard mount, pair)	Rosenbauer Commander chassis

Lighthouse Purchased Separately

For Black housing, add "B" to the end of any model number

* Fits Pioneer and Pioneer Plus



PFP1LP
Pedestal/swivel mount

Pedestal/Swivel Mounting

Model	Series	Lamp	Lamp Type	Volts	Housing
PFA1LP	Pioneer	Single	Floodlight	12.8 VDC	White
PFA1LPB	Pioneer	Single	Floodlight	12.8 VDC	Black
PFP1LP	Pioneer Plus	Single	Floodlight	12.8 VDC	White
PFP1LPB	Pioneer Plus	Single	Floodlight	12.8 VDC	Black
PSP1LP	Pioneer Plus	Single	8° Spotlight	12.8 VDC	White
PSP1LPB	Pioneer Plus	Single	8° Spotlight	12.8 VDC	Black
PTP1LP	Pioneer Plus	Single	2° Spotlight	12.8 VDC	White
PTP1LPB	Pioneer Plus	Single	2° Spotlight	12.8 VDC	Black
PSP1ALP	Pioneer Plus	Single	8° Spotlight	115 VAC	White
PSP1ALPB	Pioneer Plus	Single	8° Spotlight	115 VAC	Black

Lighthouse Included



87711AB
Side mount

Side Mount*

FEATURES

- Available in AC or DC models with 5" or 7" non-adjustable stand-off mounting brackets
- Wire internal (exits bottom), external wire (exits side of knuckle) adapter
- Three conductor internal wire input for AC, four conductor internal wire input for DC models

Model	Lamp	Wire Exit	Volts	Bracket
87711AB	Single or Dual	Internal	12.8 VDC	5"
87711BB	Single or Dual	Internal	12.8 VDC	7"
87711AD	Single or Dual	External	12.8 VDC	5"
87711BD	Single or Dual	External	12.8 VDC	7"
87711AA	Single or Dual	Internal	115 VAC	5"
87711BA	Single or Dual	Internal	115 VAC	7"
87711AC	Single or Dual	External	115 VAC	5"
87711BC	Single or Dual	External	115 VAC	7"

Lighthouse and Pedestal Mount Purchased Separately

* Fits Pioneer and Pioneer Plus™

Pioneer & Pioneer Plus™ Mounting



*PFS2P1B
with switch and removable handle*



*PCP3P1
with switch and removable handle*

Pole/Pedestal Mounting

Pioneer Floodlight	Lamp	Volts	Switch	Housing
PFA1P	Single	12.8 VDC	-	White
PFA1PB	Single	12.8 VDC	-	Black
PFA1P1	Single	12.8 VDC	On/Off	White
PFA1P1B	Single	12.8 VDC	On/Off	Black
PFA2P	Dual	12.8 VDC	-	White
PFA2PB	Dual	12.8 VDC	-	Black
PFA2P1	Dual	12.8 VDC	On/Off	White
PFA2P1B	Dual	12.8 VDC	On/Off	Black

Pioneer Plus Floodlight

PFP1P	Single	12.8 VDC	-	White
PFP1PB	Single	12.8 VDC	-	Black
PFP1P1	Single	12.8 VDC	On/Off	White
PFP1P1B	Single	12.8 VDC	On/Off	Black
PFP2P	Dual	12.8 VDC	-	White
PFP2PB	Dual	12.8 VDC	-	Black
PFP2P1	Dual	12.8 VDC	On/Off	White
PFP2P1B	Dual	12.8 VDC	On/Off	Black

Pioneer Plus 8° Spotlight

PSP1P	Single	12.8 VDC	-	White
PSP1PB	Single	12.8 VDC	-	Black
PSP1P1	Single	12.8 VDC	On/Off	White
PSP1P1B	Single	12.8 VDC	On/Off	Black

Pioneer Plus Combination Floodlight and Spotlight

PFS1P	Single	12.8 VDC	-	White
PFS1PB	Single	12.8 VDC	-	Black
PFS1P1	Single	12.8 VDC	On/Off	White
PFS1P1B	Single	12.8 VDC	On/Off	Black
PFS2P	Dual	12.8 VDC	-	White
PFS2PB	Dual	12.8 VDC	-	Black
PFS2P1	Dual	12.8 VDC	On/Off	White
PFS2P1B	Dual	12.8 VDC	On/Off	Black

Lighthouse Included

Pioneer Max™ Combination Dual Floodlight and Dual 8° Spotlight

PCP3P	Dual x 2	12.8 VDC	-	White
PCP3P1	Dual x 2	12.8 VDC	On/Off	White

Pioneer Plus Floodlight

Pioneer Plus Floodlight	Lamp	Volts	Switch	Housing
PFP1AP	Single	115 VAC	-	White
PFP1APB	Single	115 VAC	-	Black
PFP1AP1	Single	115 VAC	On/Off	White
PFP1AP1B	Single	115 VAC	On/Off	Black
PFP2AP	Dual	115 VAC	-	White
PFP2APB	Dual	115 VAC	-	Black
PFP2AP1	Dual	115 VAC	On/Off	White
PFP2AP1B	Dual	115 VAC	On/Off	Black

Pioneer Plus 8° Spotlight

PSP1AP	Single	115 VAC	-	White
PSP1APB	Single	115 VAC	-	Black
PSP1AP1	Single	115 VAC	On/Off	White
PSP1AP1B	Single	115 VAC	On/Off	Black

Pioneer Plus Combination Floodlight and 8° Spotlight

PCP2AP	Dual	115 VAC	-	White
PCP2APB	Dual	115 VAC	-	Black
PCP2AP1	Dual	115 VAC	On/Off	White
PCP2AP1B	Dual	115 VAC	On/Off	Black
PCP3PB	Dual x 2	12.8 VDC	-	Black
PCP3P1B	Dual x 2	12.8 VDC	On/Off	Black

Pioneer Max Combination Dual Floodlight and Dual 8° Spotlight

PCP3AP	Dual x 2	115 VAC	-	White
PCP3APB	Dual x 2	115 VAC	-	Black
PCP3AP1	Dual x 2	115 VAC	On/Off	White
PCP3AP1B	Dual x 2	115 VAC	On/Off	Black

Lighthouse Included

Pioneer Plus™ Surface Mount Combination Floodlight/Spotlight

FEATURES

- Combination flood/spotlight (patent pending) optic design projects light directly down at 5°, producing illumination to the side of the vehicle arching upward to 90° pattern of light
- Requires no body cut-outs
- Built-in nylon screw grommets eliminate galvanic corrosion
- Uniquely designed silicone grommet seals the 1" wire entry into the body
- DC (Single or Dual) Pioneer models meet SAE1113-42 Class 5 testing for EMI
- Two-foot (609mm) cable
- **NEW** Single and Dual AC models are UL® approved
- Available with Chrome or Black flange
- Five year warranty



PCPSM1C



PCPSM2B

MODELS

Model	Optic	Lamp	Flange	Volts	Amps	Watts	Lumens
PCPSM1C	Flood/Spot	Single	Chrome	12.8 VDC	6.0	75	8,000
PCPSM2C	Flood/Spot	Dual	Chrome	12.8 VDC	12.0	150	16,000
PCPSM1B	Flood/Spot	Single	Black	12.8 VDC	6.0	75	8,000
PCPSM2B	Flood/Spot	Dual	Black	12.8 VDC	12.0	150	16,000
PCPSM14C	Flood/Spot	Single	Chrome	25.6 VDC	3.0	75	8,000
PCPSM24C	Flood/Spot	Dual	Chrome	25.6 VDC	6.0	150	16,000
PCPSM14B	Flood/Spot	Single	Black	25.6 VDC	3.0	75	8,000
PCPSM24B	Flood/Spot	Dual	Black	25.6 VDC	6.0	150	16,000
PCPSM1AC	Flood/Spot	Single	Chrome	115 VAC	0.6	75	6,700
PCPSM2AC	Flood/Spot	Dual	Chrome	115 VAC	1.2	195	18,000
PCPSM1AB	Flood/Spot	Single	Black	115 VAC	0.6	75	6,700
PCPSM2AB	Flood/Spot	Dual	Black	115 VAC	1.2	195	18,000

Lighthead Included

Pioneer Quad™ 4 Lamp - 115 VAC Series Floodlight

FEATURES

- Four high intensity Pioneer Plus lamps for floodlighting
- Floodlights are UL® approved
- 115 AC models will operate using a generator to provide floodlighting at a distance away from the vehicle's voltage source without significant voltage drops
- Two mounts available:
 - Universal side bail bracket mounts to a horizontal or vertical surface and provides flexible mounting
 - Pole/pedestal mounts for pole tripod pedestals feature a removable handle
- Five year warranty



PFP4AWP1
with removeable handle

MODELS

Model	Optic	Mounting	Switch	Housing	Volts	Amps	Watts	Lumens
PFP4AW	AC Floodlights	Lighthouse only	-	White	115 VAC	2.5	300	30,000
PFP4AB	AC Floodlights	Lighthouse only	-	Black	115 VAC	2.5	300	30,000
PFP4AWP	AC Floodlights	Pole/Pedestal	-	White	115 VAC	2.5	300	30,000
PFP4AWP1	AC Floodlights	Pole/Pedestal	1 Switch	White	115 VAC	2.5	300	30,000
PFP4ABP	AC Floodlights	Pole/Pedestal	-	Black	115 VAC	2.5	300	30,000
PFP4ABP1	AC Floodlights	Pole/Pedestal	1 Switch	Black	115 VAC	2.5	300	30,000
PFP4AWB	AC Floodlights	Universal Side Bail Bracket	-	White	115 VAC	2.5	300	30,000
PFP4ABB	AC Floodlights	Universal Side Bail Bracket	-	Black	115 VAC	2.5	300	30,000

Lighthouse Included

Pioneer SlimLine™

Work/Scene Light



PSL1R



PSL1P



PSL2BB

FEATURES

- Single Lamp Models - 8° spotlight pattern comes standard. Includes additional 40° x 20° flood lens
- Dual Lamp Models - 8° spotlight pattern comes standard. Includes two additional optic lenses for a light pattern choice of dual 40° x 20° flood or 8° spot and 40° x 20° flood
- Optic lens changes easily via four screws in picture frame fixture
- Built-in nylon screw grommets eliminate galvanic corrosion
- Five mounts available:
 - Powder coated stainless steel bail bracket
 - Recessed 90° angle mount with Chrome flange
 - Recessed 15° angle mount with Chrome flange
 - Pedestal/swivel mount
 - Brow mount kits

MODELS

Bail/Stud	Lamp	Housing	Volts	Amps	Watts	Lumens
PSL1B	Single	White	12.8 VDC	3.0	37.5	3,600
PSL1BB	Single	Black	12.8 VDC	3.0	37.5	3,600
PSL14B	Single	White	25.6 VDC	1.5	37.5	3,600
PSL14BB	Single	Black	25.6 VDC	1.5	37.5	3,600
PSL2B	Dual	White	12.8 VDC	6.0	75	7,300
PSL2BB	Dual	Black	12.8 VDC	6.0	75	7,300
PSL24B	Dual	White	25.6 VDC	3.0	75	7,300
PSL24B4	Dual	Black	25.6 VDC	3.0	75	7,300

Recessed 90° Angle Chrome Flange

PSL1R	Single	White	12.8 VDC	3.0	37.5	3,600
PSL1RB	Single	Black	12.8 VDC	3.0	37.5	3,600
PSL14R	Single	White	25.6 VDC	1.5	37.5	3,600
PSL14RB	Single	Black	25.6 VDC	1.5	37.5	3,600
PSL2R	Dual	White	12.8 VDC	6.0	75	7,300
PSL2RB	Dual	Black	12.8 VDC	6.0	75	7,300
PSL24R	Dual	White	25.6 VDC	3.0	75	7,300
PSL24RB	Dual	Black	25.6 VDC	3.0	75	7,300

Recessed 15° Angle Chrome Flange

PSL1R5	Single	White	12.8 VDC	3.0	37.5	3,600
PSL1R5B	Single	Black	12.8 VDC	3.0	37.5	3,600
PSL14R5	Single	White	25.6 VDC	1.5	37.5	3,600
PSL14R5B	Single	Black	25.6 VDC	1.5	37.5	3,600
PSL2R5	Dual	White	12.8 VDC	6.0	75	7,300
PSL2R5B	Dual	Black	12.8 VDC	6.0	75	7,300
PSL2R54	Dual	White	25.6 VDC	3.0	75	7,300
PSL2R54B	Dual	Black	25.6 VDC	3.0	75	7,300

Low Profile Pedestal/Swivel

PSL1P	Single	White	12.8 VDC	3.0	37.5	3,600
PSL1PB	Single	Black	12.8 VDC	3.0	37.5	3,600
PSL1P4	Single	White	25.6 VDC	1.5	37.5	3,600
PSL1P4B	Single	Black	25.6 VDC	1.5	37.5	3,600
PSL1PHW	Single	White w/ Handle	12.8 VDC	3.0	37.5	3,600
PSL2P	Dual	White	12.8 VDC	6.0	75	7,300
PSL2PB	Dual	Black	12.8 VDC	6.0	75	7,300
PSL2P4	Dual	White	25.6 VDC	3.0	75	7,300
PSL2P4B	Dual	Black	25.6 VDC	3.0	75	7,300

Brow Mount Brackets for PSL2

Model	Mount	Vehicle	Housing
PBSLFC	Center	M2 Freightliner	White
PBSLFCB	Center	M2 Freightliner	Black
PBSLIC	Center	International	White
PBSLICB	Center	International	Black
PBSLFLR	Left/right	M2 Freightliner	White
PBSLFLRB	Left/right	M2 Freightliner	Black
PBSLILR	Left/right	International	White
PBSLILRB	Left/right	International	Black
PBSLKME	Front or Side	KME Predator & Panther chassis	White
PBSLKMEB	Front or Side	KME Predator & Panther chassis	Black
PBSLSPTN	Front	Spartan Gladiator & Metro Star chassis	White
PBSLSPTB	Front	partan Gladiator & Metro Star chassis	Black

Lighthouse Purchased Separately

Lighthouse Included

Pioneer Micro™

Work/Scene Light



FEATURES

- 8° spotlight pattern comes standard. Includes three additional optic lenses for a light pattern choice of:
 - 90° x 20° wide flood
 - 40° x 20° flood
 - 40° x 8° horizontal flood
- Optic lens changes easily via four screws in picture frame fixture
- Built-in nylon screw grommets eliminate galvanic corrosion
- Five mounts available:
 - Powder coated stainless steel bail bracket with 3/8" stud carriage bolt mount
 - Recessed 90° angle mount with Chrome flange
 - Recessed 15° angle mount with Chrome flange
 - Pedestal/swivel available with Chrome or Black back cover, with or without On/Off switch
 - Permanent/pedestal available with Chrome or Black back cover, with or without On/Off switch

MODELS

Bail/Stud Mount	Housing	Volts	Amps	Watts	Lumens
MPBW	White	12.8 VDC	3.5	45	4,100
MPBB	Black	12.8 VDC	3.5	45	4,100
MPB4W	White	25.6 VAC	1.75	45	4,100
MPB4B	Black	25.6 VAC	1.75	45	4,100

Low Profile Pedestal/Swivel					
MPPW	White	12.8 VDC	3.5	45	4,100
MPPWCS	White with Chrome cover & On/Off switch	12.8 VDC	3.5	45	4,100
MPPB	Black	12.8 VDC	3.5	45	4,100
MPPBBS	Black with Black cover & On/Off switch	12.8 VDC	3.5	45	4,100
MPPBCS	Black with Chrome cover & On/Off switch	12.8 VDC	3.5	45	4,100
MPP4W	White	25.6 VAC	1.75	45	4,100
MPP4B	Black	25.6 VAC	1.75	45	4,100

Pole/Pedestal					
MPKW	White	12.8 VDC	3.5	45	4,100
MPKWS	White w/ On/Off switch	12.8 VDC	3.5	45	4,100
MPKB	Black	12.8 VDC	3.5	45	4,100
MPKBS	Black w/ On/Off switch	12.8 VDC	3.5	45	4,100
MPK4W	White	25.6 VAC	1.75	45	4,100
MPK4WS	White w/ On/Off switch	25.6 VAC	1.75	45	4,100
MPK4B	Black	25.6 VAC	1.75	45	4,100
MPK4BS	Black w/ On/Off switch	25.6 VAC	1.75	45	4,100

Lighththead Included

Pioneer Micro™

Work/Scene Light



MPRW



MPR15B

Recessed 90° Angle Chrome Flange

MPRW	White	12.8 VDC	3.5	45	4,100
MPRB	Black	12.8 VDC	3.5	45	4,100
MPR4W	White	25.6 VAC	1.75	45	4,100
MPR4B	Black	25.6 VAC	1.75	45	4,100

Recessed 15° Angle Chrome Flange

MPR15W	White	12.8 VDC	3.5	45	4,100
MPR15B	Black	12.8 VDC	3.5	45	4,100
MPR154W	White	25.6 VAC	1.75	45	4,100
MPR154B	Black	25.6 VAC	1.75	45	4,100

Lighthouse Included

Pioneer Nano™

Work/Scene Light



NP3BW



NP6BB

FEATURES

- Available in 3 or 6 diode models
- 8° spotlight pattern comes standard. Includes additional 40° x 20° flood lens
- Optic lens changes easily via four screws in picture frame fixture
- Powder coated stainless steel bail bracket with 3/8" stud carriage bolt mount

MODELS

Model	Series	Housing	Volts	Amps	Watts	Lumens
NP3BW	3 Diode	White	12.8 VDC	1.0	13	1,100
NP3BB	3 Diode	Black	12.8 VDC	1.0	13	1,100
NP6BW	6 Diode	White	12.8 VDC	1.5	19	1,800
NP6BB	6 Diode	Black	12.8 VDC	1.5	19	1,800
NP6B4W	6 Diode	White	25.6 VAC	.75	19	1,800
NP6B4B	6 Diode	Black	25.6 VAC	.75	19	1,800

3000 & 3100 Series Pole Mounting Options

(Lighthouse Purchased Separately)

FEATURES

- 57" extruded anodized aluminum AC and DC adjustable pole assemblies
- Available with top or bottom mount locking collar
- Outer body certified to NFPA 15.8 Access Handrails or Handhelds
- Three conductor internal input wire for AC models, four conductor internal input wire for DC models
- Side and Thru Body mount versions
- Side mount poles available in 12" (31cm), 20" (51cm), 30" (77cm), 35" (89cm), and 40" (102cm) outer bodies
- Side mount with silver powder coated stand-off mounting brackets available in 2" (5cm), 3" (8cm), 5" (13cm), and 7" (18cm)
- Custom pole lengths available. Download the Pioneer Designer Program at www.whelen.com to create custom pole assemblies
- Requires purchase of Pioneer lighthouse with pole/pedestal mount adapter
- Optional lower side mount cradle bracket
- Optional internal top mount or bottom lower cradle mount electromagnetic sensor. These indicate if the pole has been seated properly into the cradle for travel (customer supplied warning indicator light)
- Five year warranty

Side mount internal sensor

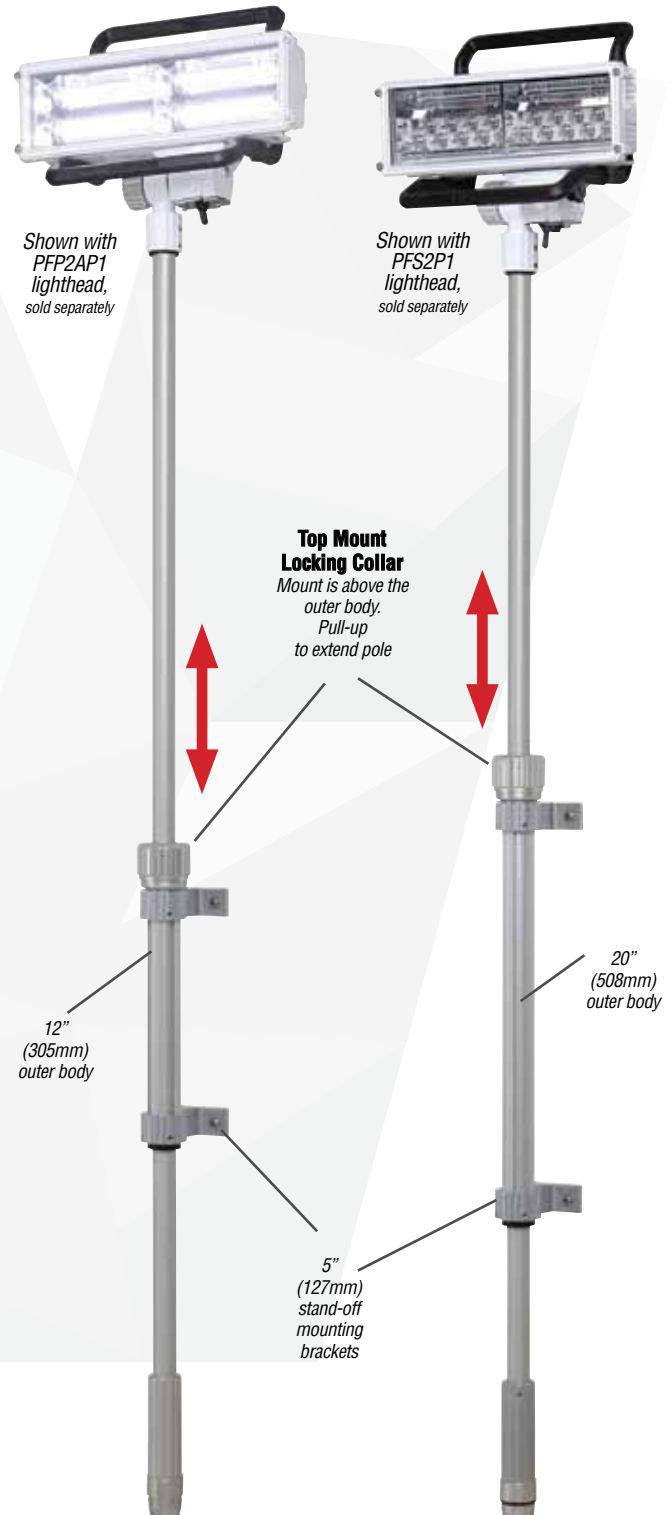


Bottom mount lower cradle sensor



Electro-magnetic sensor indicates pole has been seated correctly into cradle for travel.

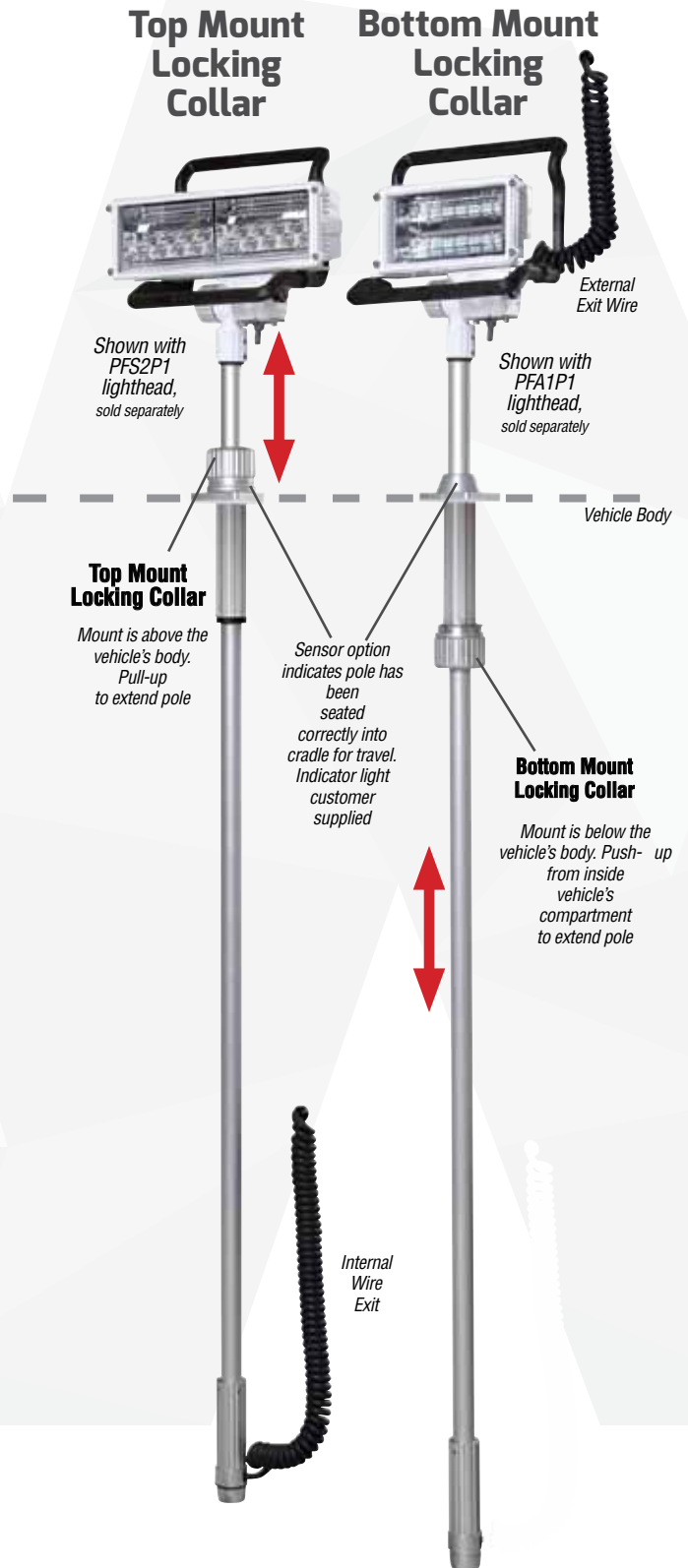
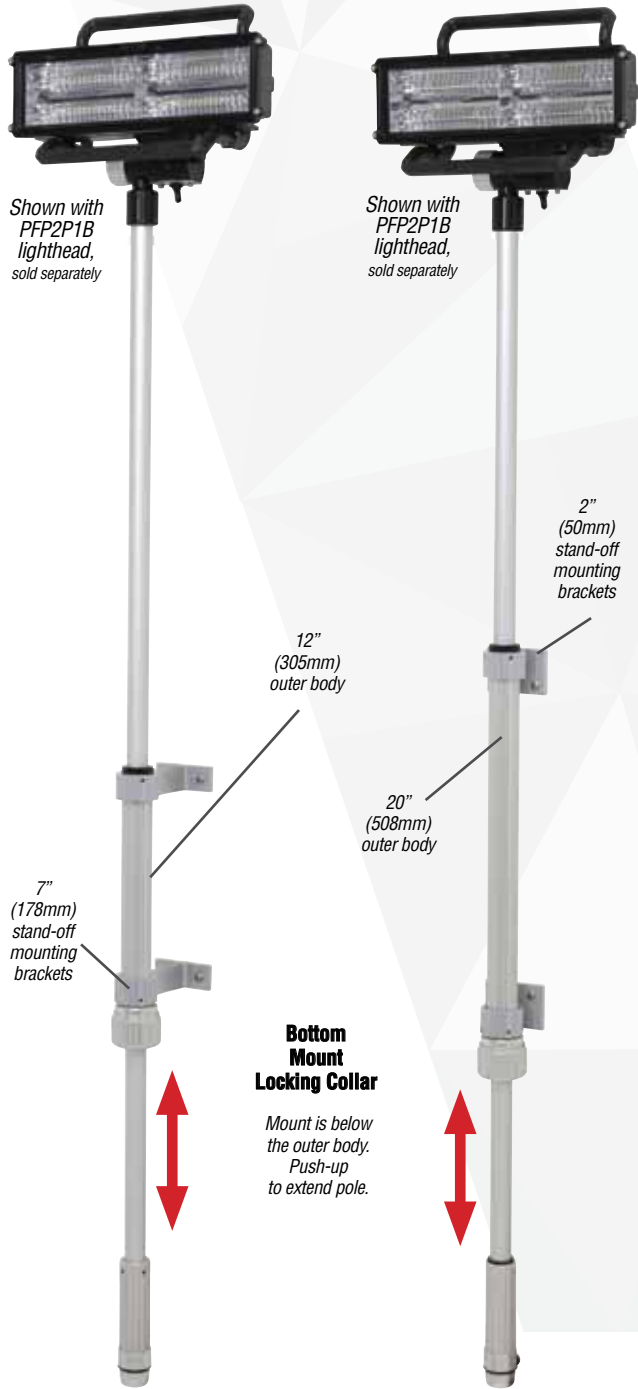
3000 Series 57" Side Mount Pole Assemblies Top Mount Locking Collar



3000 Series 57" Side Mount Pole Assemblies

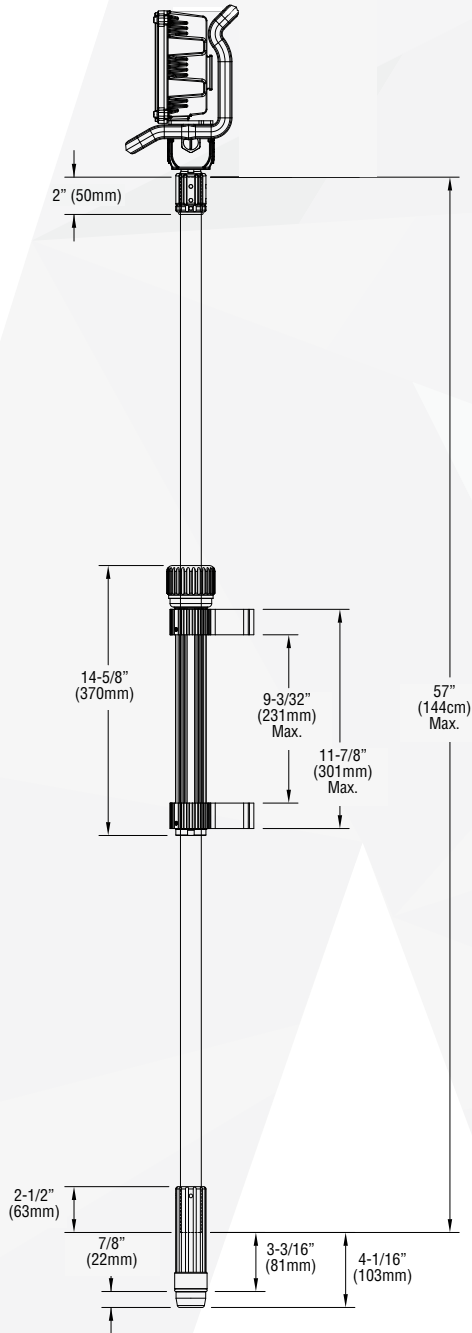
Bottom Mount Locking Collar

3100 Series 57" Thru Mount Pole Assemblies



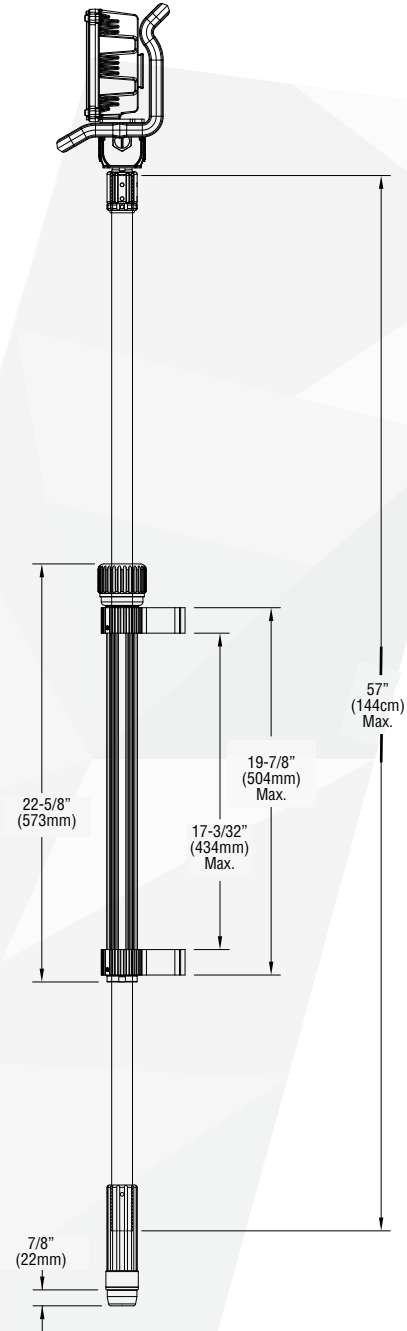
3000 Series Side Mount Pole Dimensions

12" Grab Handle - Top or Bottom Adjust



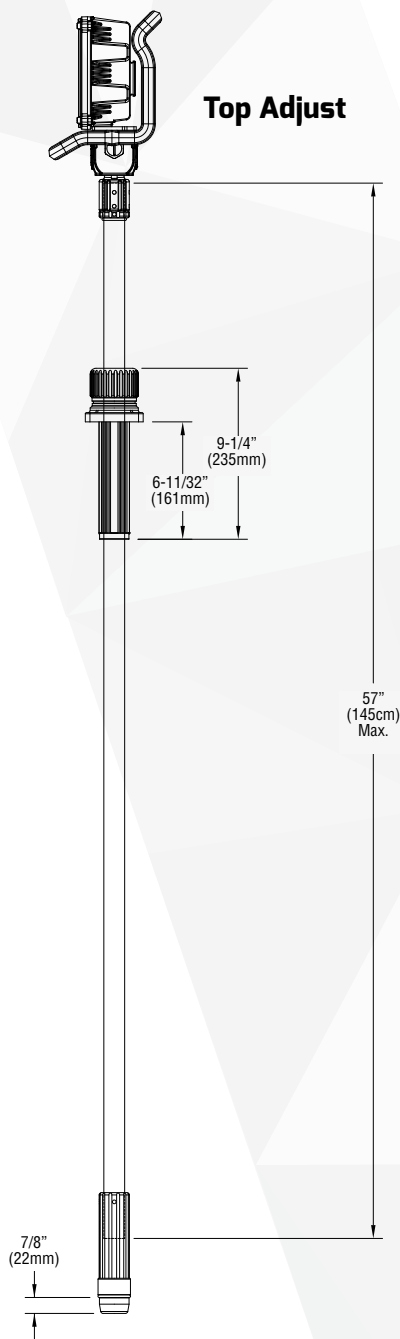
Maximum Travel = Pole Length - (Mount body length + Insertion)
 $= 57.00" - (14.58 + 2.01 + 2.48)$
 $= 37.93"$
Minimum Pole Length = Mount body length - Insertion
 $= 14.48" + (2.01 + 2.48")$
 $= 19.07"$
 $= 20.00"$

20" Grab Handle - Top or Bottom Adjust



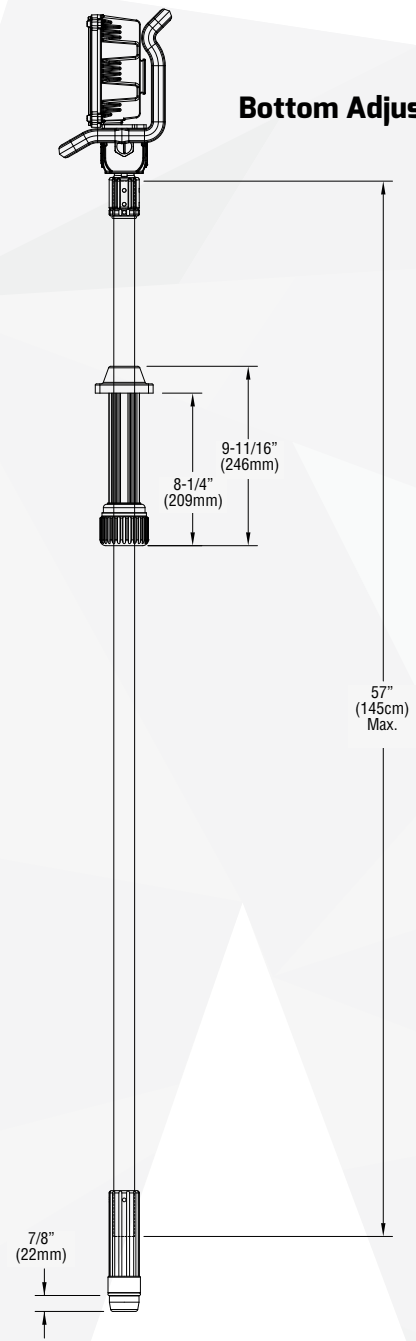
Maximum Travel = Pole Length - (Mount body length + Insertion)
 $= 57.00" - (22.58 + 2.01 + 2.48)$
 $= 29.93"$
Minimum Pole Length = Mount body length - Insertion
 $= 22.58" + (2.01 + 2.48")$
 $= 27.07"$
 $= 28.00"$

3100 Series Thru Body Pole Dimensions



Maximum Travel = Pole Length - (Mount body length + Insertion)
 = 57.00" - (9.24 + 2.01 + 2.48)
 = 43.27"

Minimum Pole Length = Mount body length - Insertion
 = 9.24" + (2.01 + 2.48")
 = 13.73"
 = 14.00"



Maximum Travel = Pole Length - (Mount body length + Insertion)
 = 57.00" - (9.69 + 2.01 + 2.48)
 = 43.27"

Minimum Pole Length = Mount body length - Insertion
 = 9.69" + (2.01 + 2.48")
 = 14.18"
 = 15.00"

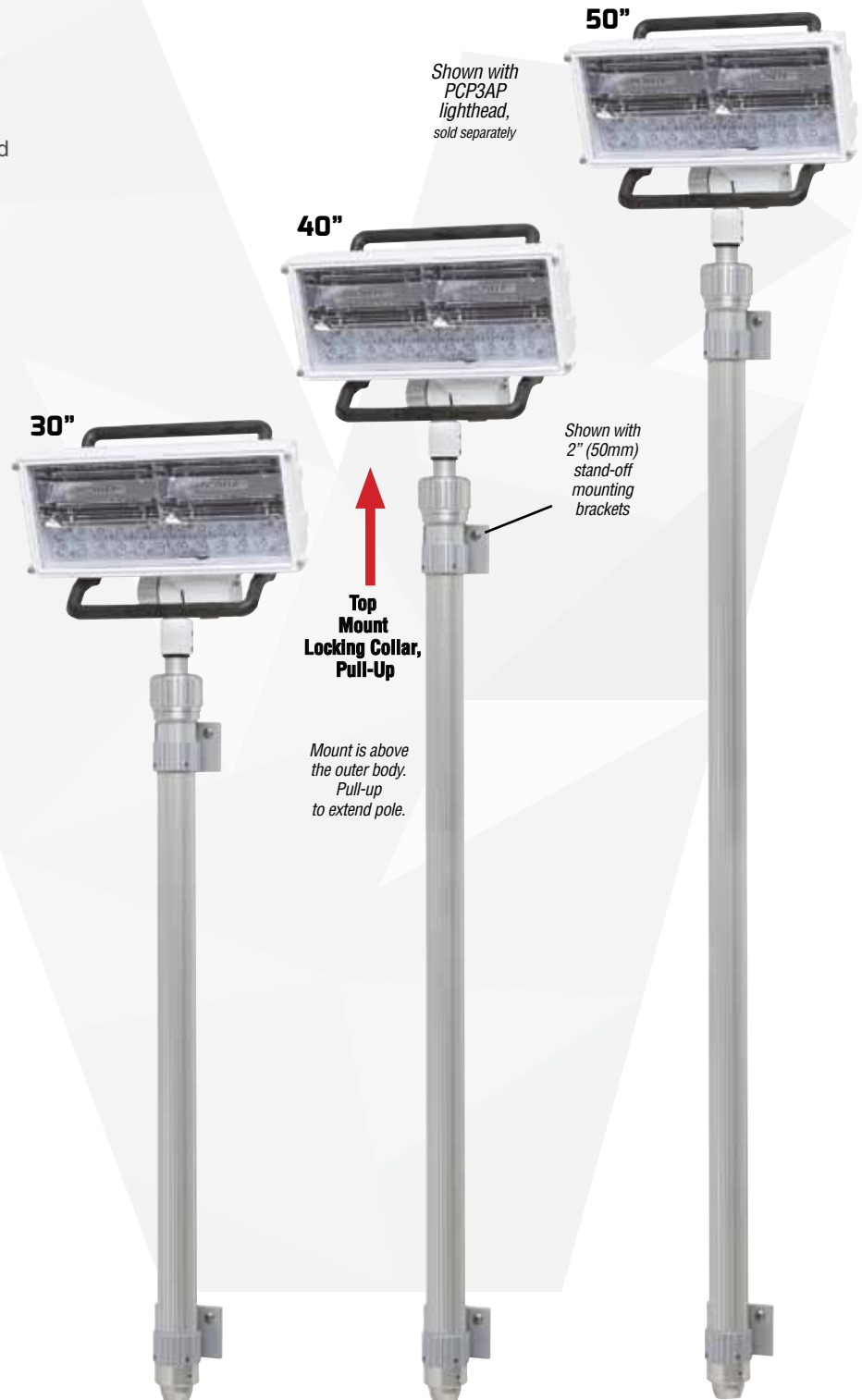
3050 Series Pole Mounting Options

(Lighthouse Purchased Separately)

FEATURES

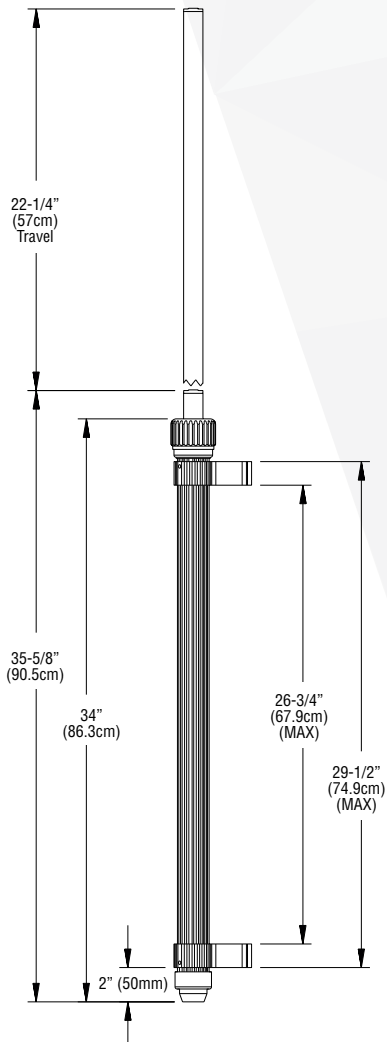
- Extruded aluminum AC pole assemblies
- Available in 30" (76cm), 40" (102cm), and 50" (127cm) lengths
- Side mount with silver powder coated non-adjustable stand-off mounting brackets available in 2", 3", 5", and 7"
- Top mount (pull-up)
- Three conductor internal input wire
- Poles and outer bodies are anodized to eliminate corrosion and yellowing
- Requires purchase of Pioneer lighthouse with pole/pedestal mount adapter
- Five year warranty

3050 Series - 30", 40", & 50" Side Mount Telescoping Pole Assemblies Top Mount - Pull-Up

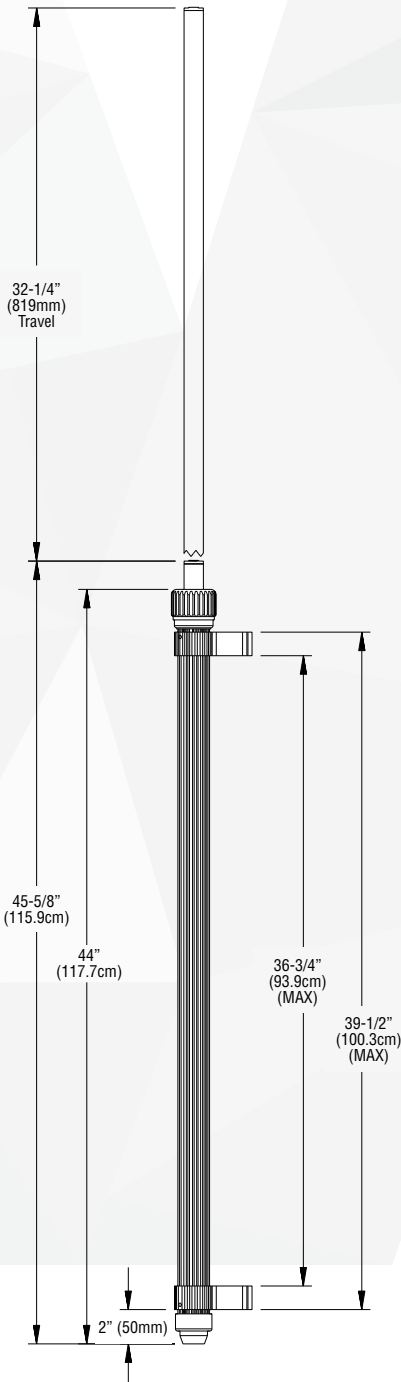


3050 Series - Side Mount Pole Dimensions

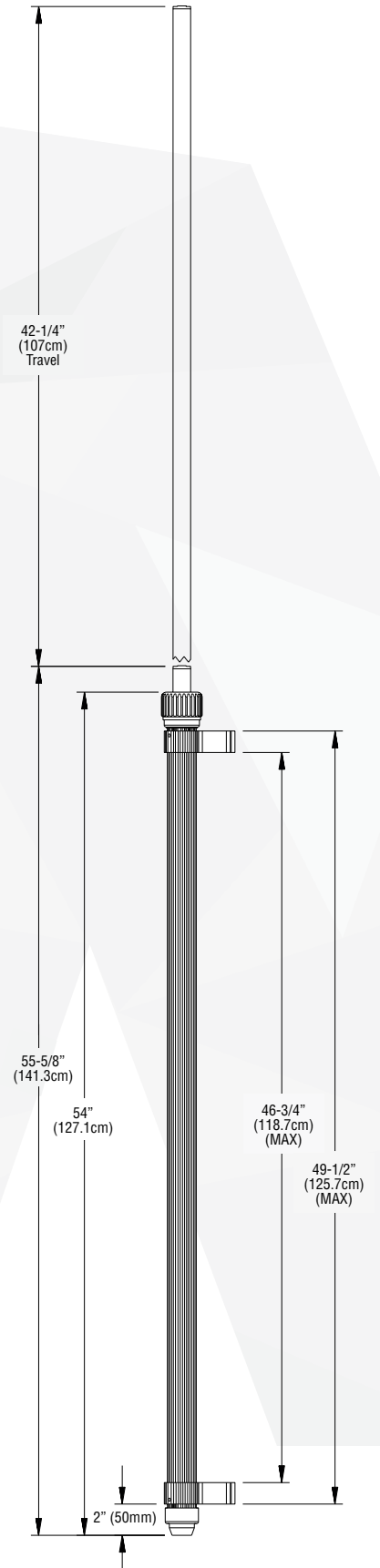
30" - Telescoping Pole



40" - Telescoping Pole



50" - Telescoping Pole

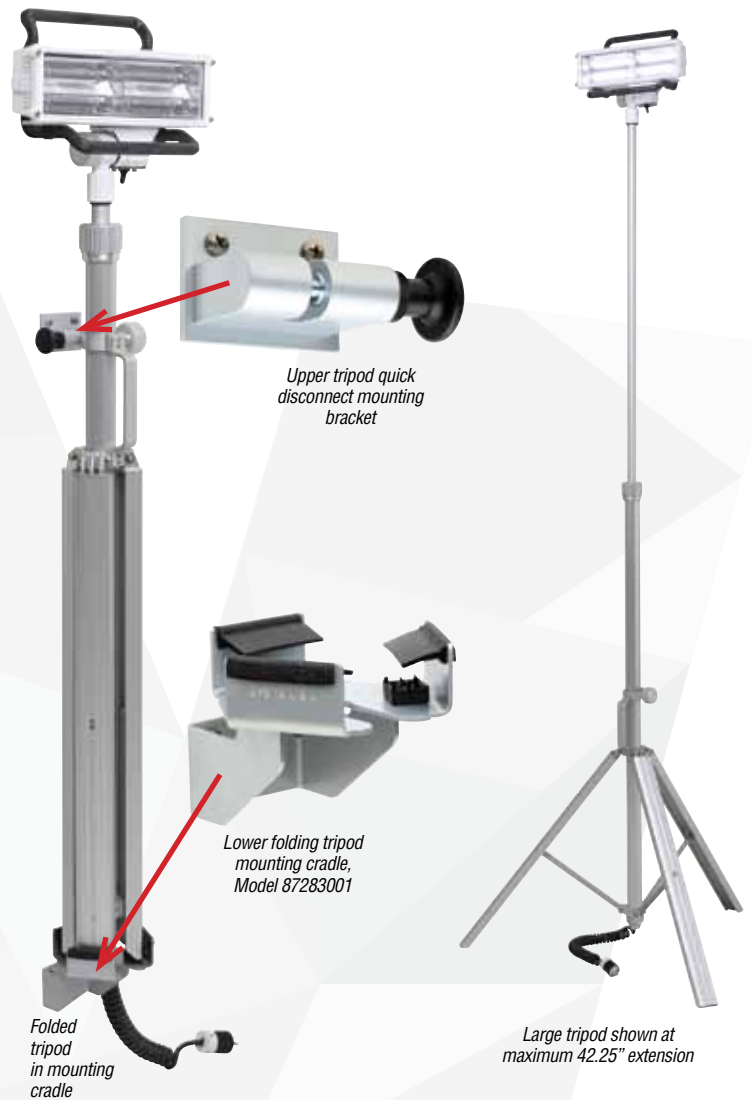


3200 Series Folding Tripod AC Pole Assemblies

(Lighthead Purchased Separately)

FEATURES

- Extruded aluminum AC tripod assemblies
- Available in 30" (76cm), 40" (102cm), and 50" (127cm) lengths
- Tripod models available are:
 - Wireless for use with ground tripod
 - With inner coil cord without plug
 - With inner coil cord with plug
 - With loose external coil cord for top wire exit with plug
 - With loose coil cord for external top wire exit without plug
- All moving aluminum parts are isolated with nylon bushings for superior industry leading adjustment and fold outs. All inner poles, outer bodies, and folding legs are anodized to eliminate corrosion and yellowing
- Requires Pioneer with pole/pedestal mount adapter (purchased separately)
- Optional tripod mounting cradle bracket with upper quick disconnect mount bracket (Model 87283001)
- Optional ground tripod mounting bracket for all folding tripods (Model 87283002)
- Five year warranty



3300 Series Ground Tripods

(Lighthead Purchased Separately)

FEATURES

- White powder coated cast aluminum AC portable ground tripod
- Includes stationary quick disconnect mount
- Supplied with 12" cable
- Requires purchase of Pioneer lighthead with pole/pedestal mount adapter
- Optional plugs available
- Five year warranty



Large 50"



Medium 40"



Small 30"

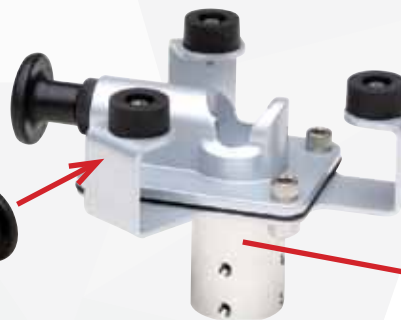


Models shown with Pioneer lighthoods, purchased separately. Shown with optional plug



Underneath side showing pin that recesses into stationary quick disconnect mount, included with ground tripod for secure storage

Quick disconnect mount attaches to ground tripod mount



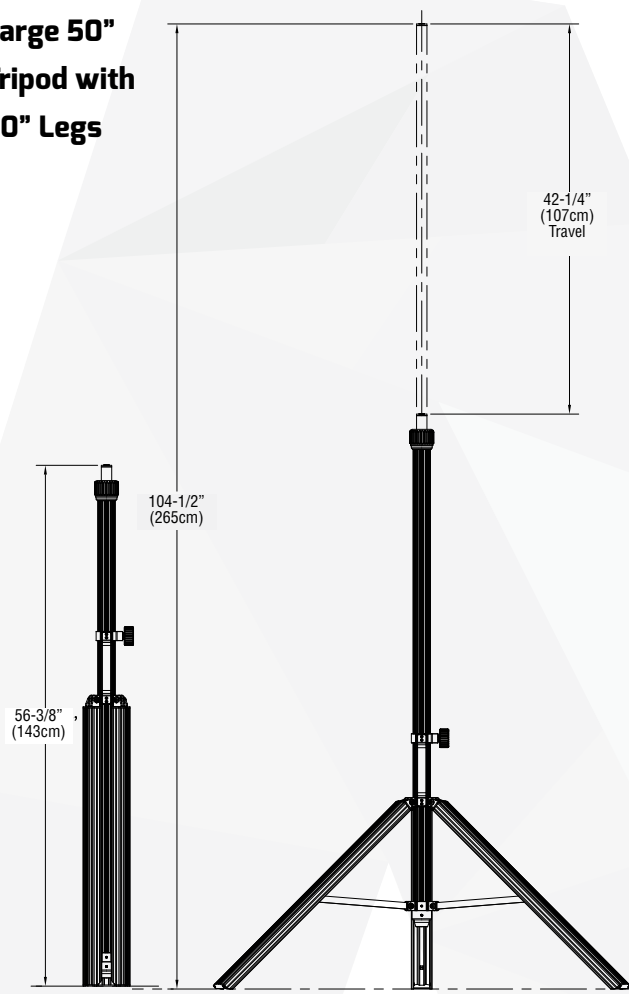
Optional Model 87283002 ground tripod mount includes quick disconnect for 3200 Series folding tripod



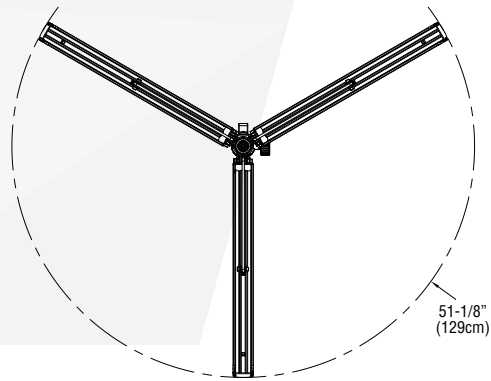
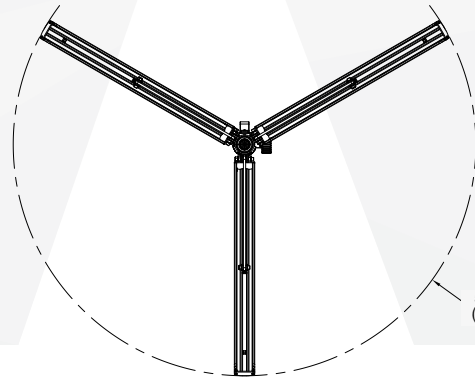
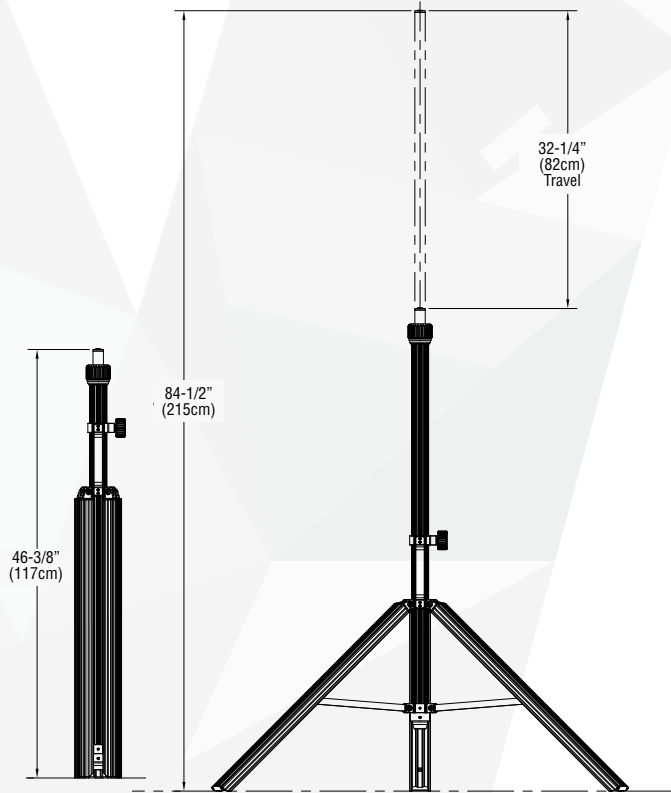
Finished assembly of ground tripod mounted on top of folding tripod pole with ground tripod mount

3200 Series Folding Tripod Dimensions

**Large 50"
Tripod with
30" Legs**

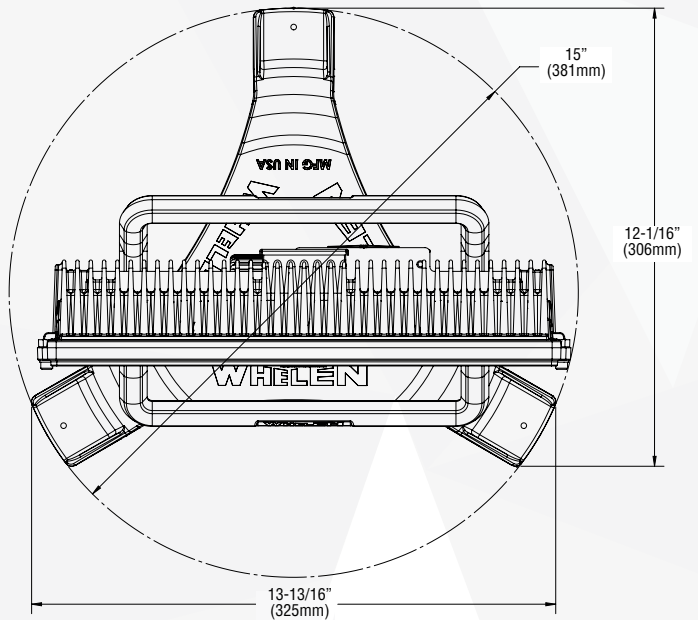
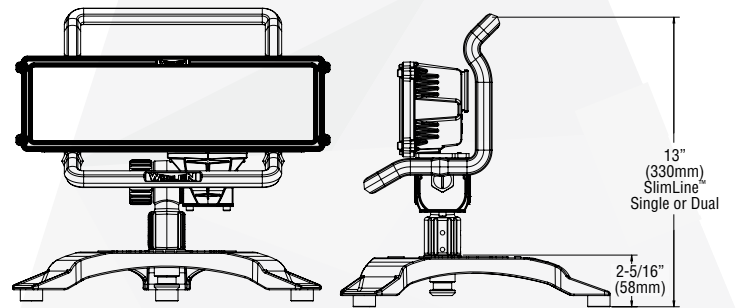
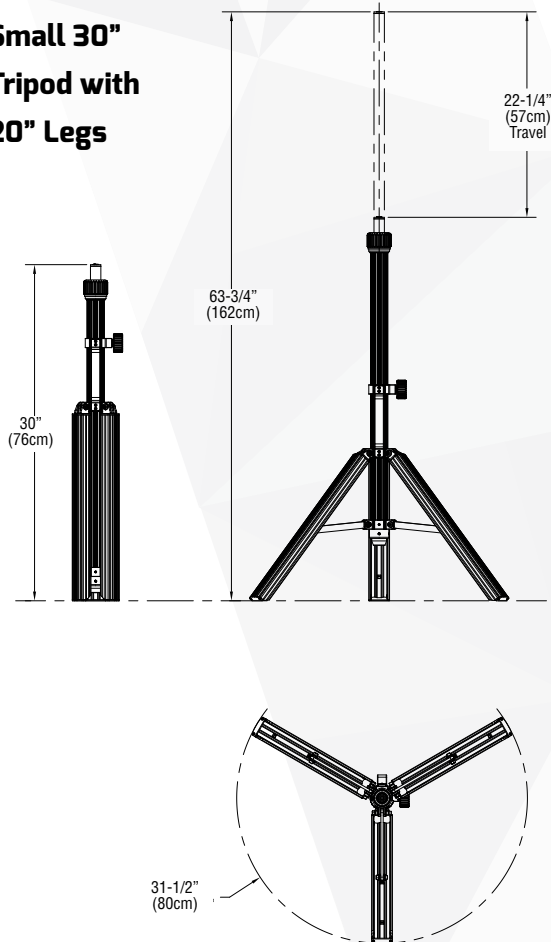


**Medium 40"
Tripod with
30" Legs**



3300 Series Ground Tripod Dimensions

Small 30" Tripod with 20" Legs



Pioneer Designer Program

Build or customize your Pioneer lighthead mounting with "Whelen's Pioneer Designer" on www.whelen.com. Pioneer Designer lets you pick and choose options and enter custom pole and lighthead requirements.

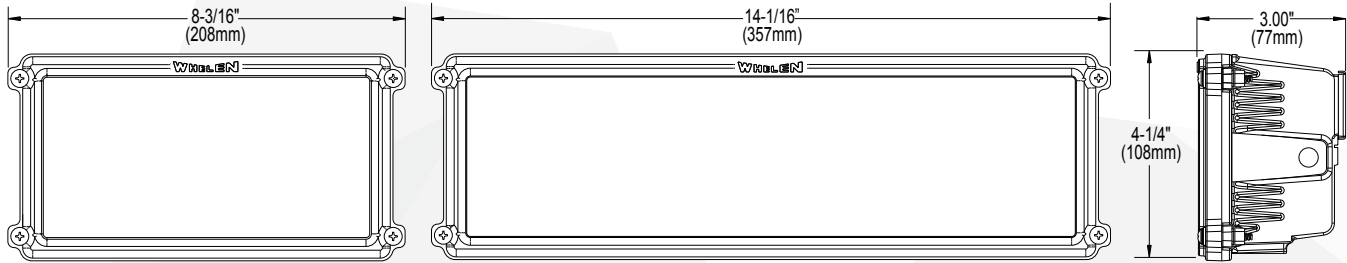
Starting from the Home Page, go to:

- Automotive
- Tech Support
- Software Downloads
- Choose Pioneer Designer and click on download

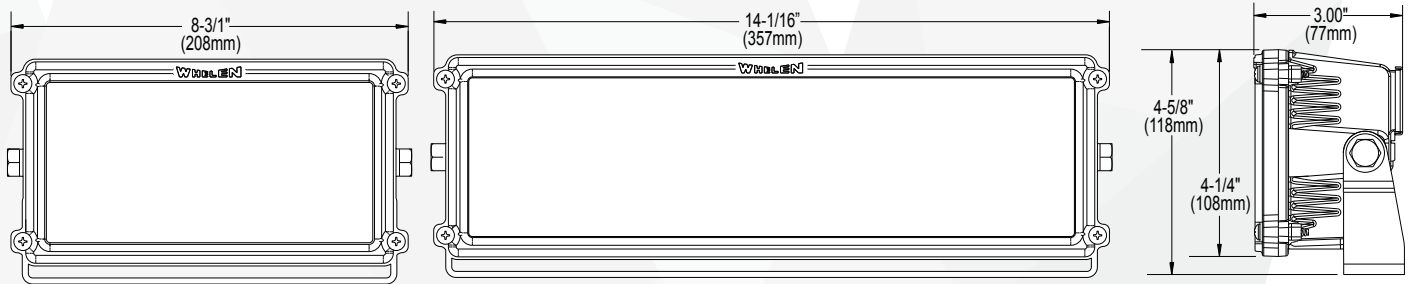


Pioneer Series Mounting Dimensions

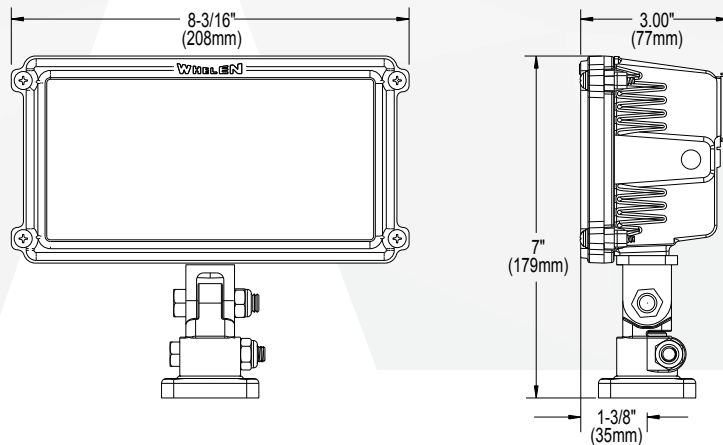
Pioneer and Pioneer Plus™ Lighthouse Only



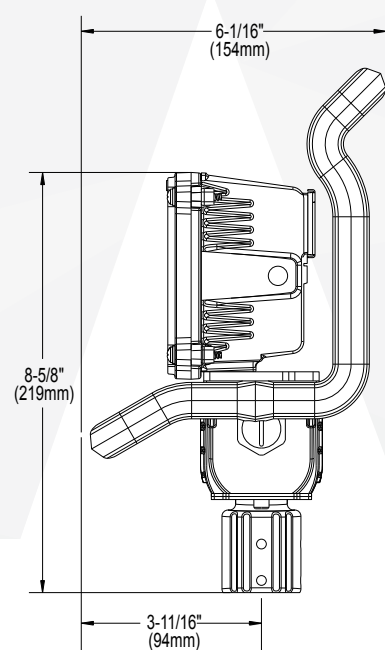
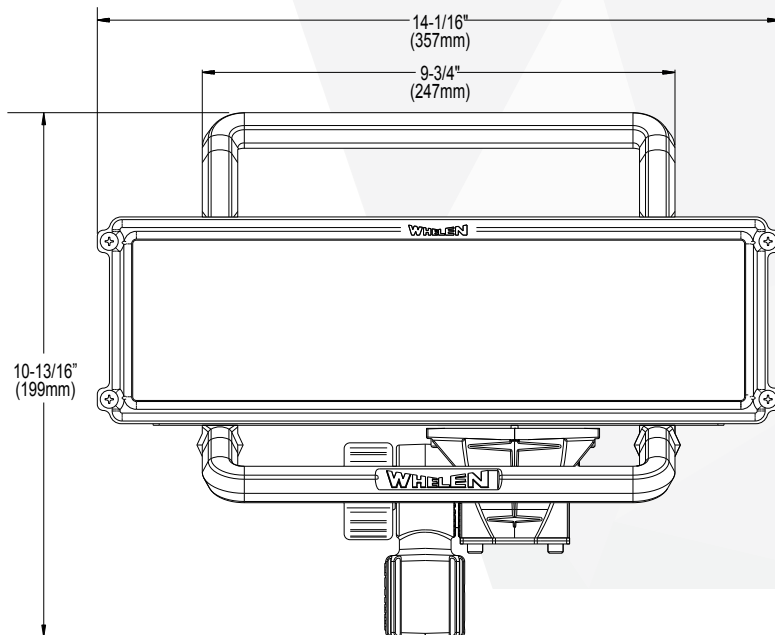
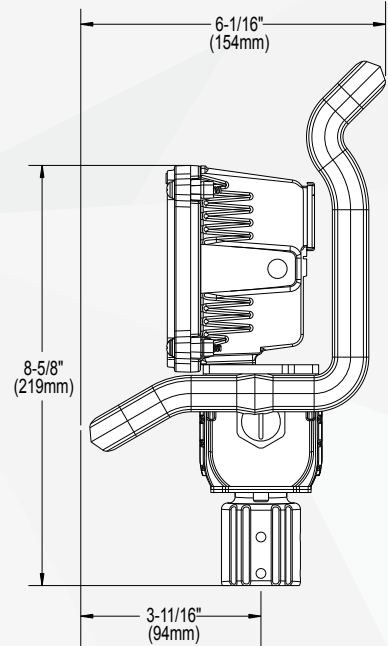
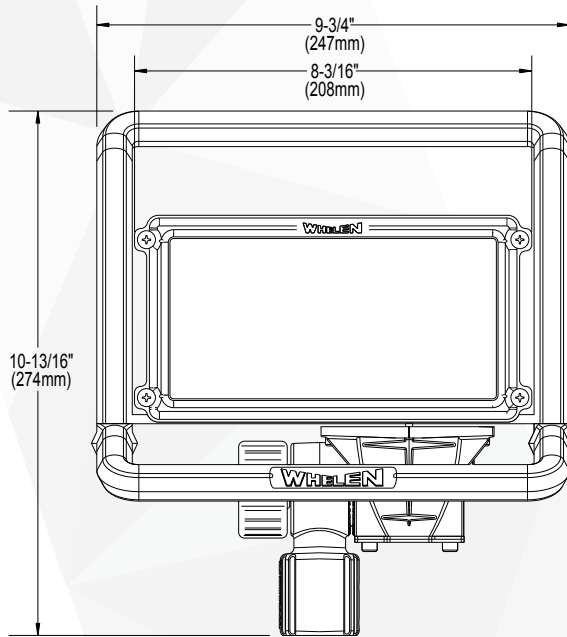
Pioneer and Pioneer Plus Bail Bracket



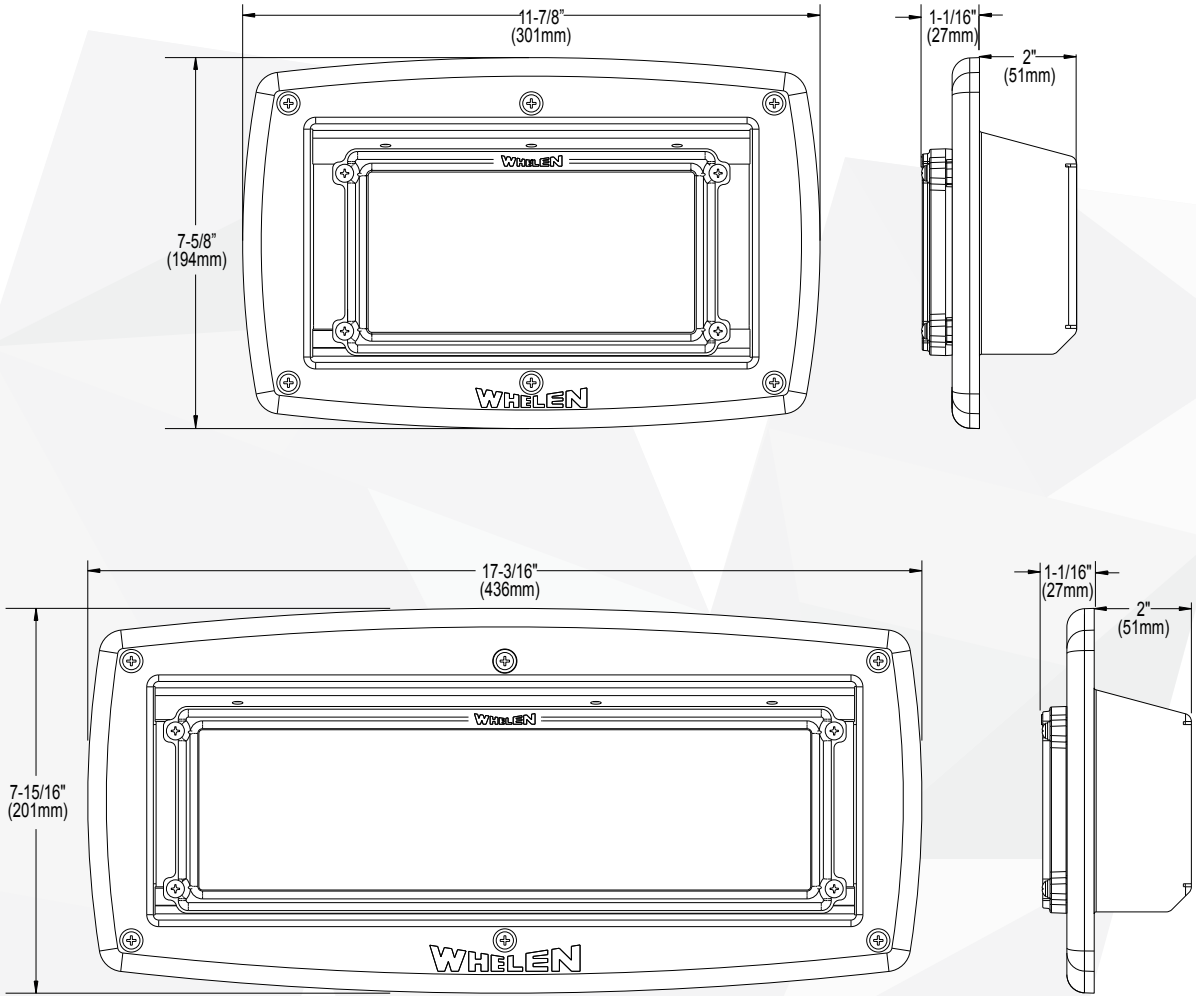
Pioneer and Pioneer Plus Pedestal/Swivel



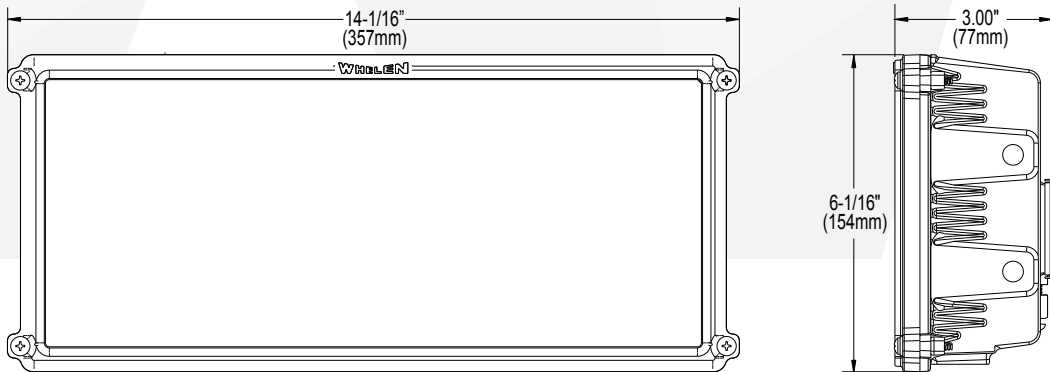
Pioneer and Pioneer Plus™ Pole/Pedestal



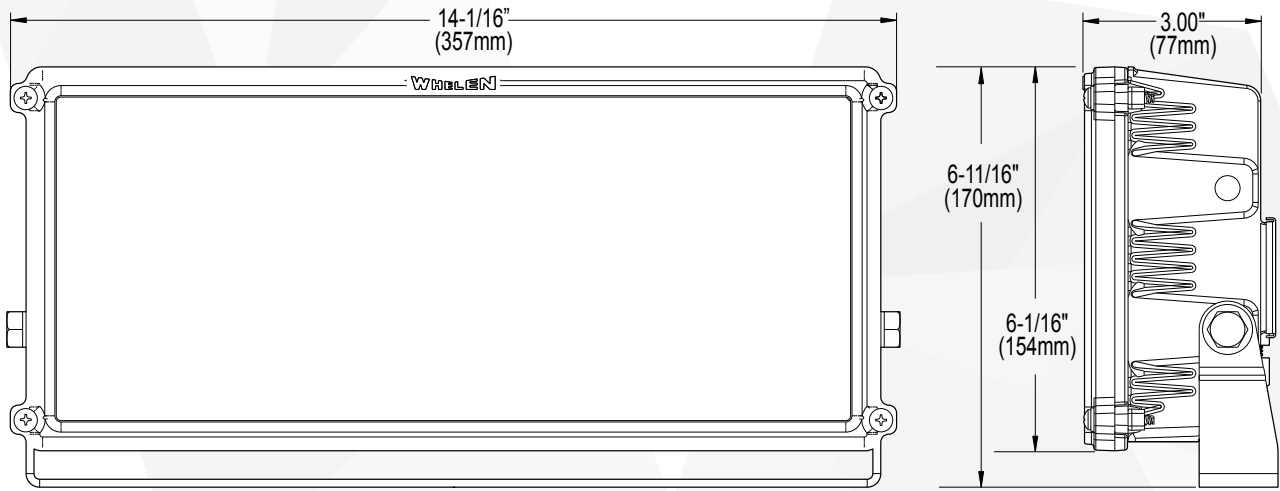
Pioneer and Pioneer Plus™ Semi-Recessed



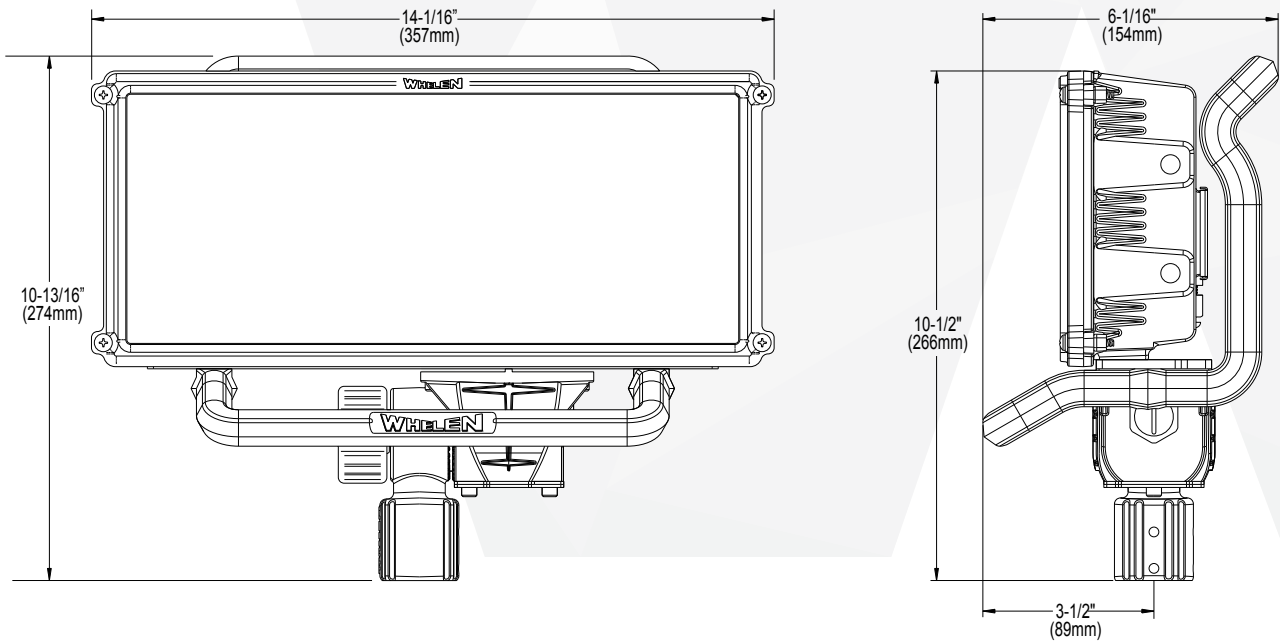
Pioneer Max™ Lighthouse Only



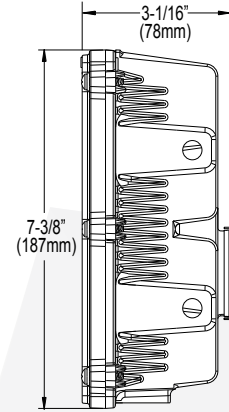
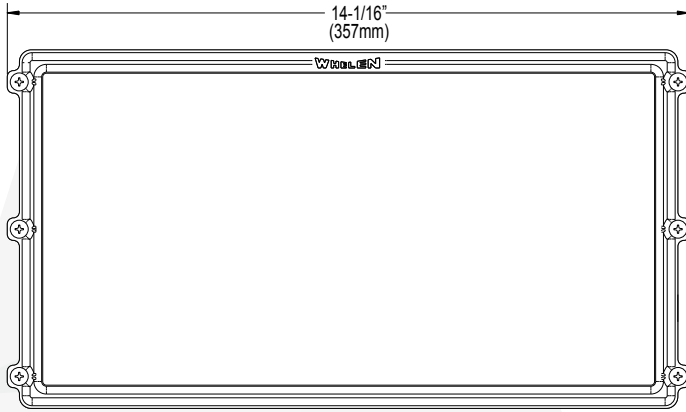
Pioneer Max™ Bail Bracket



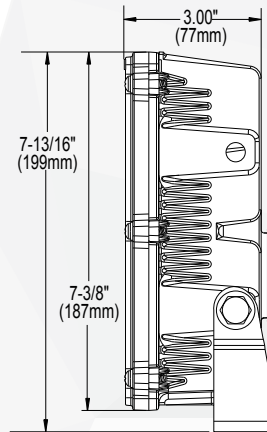
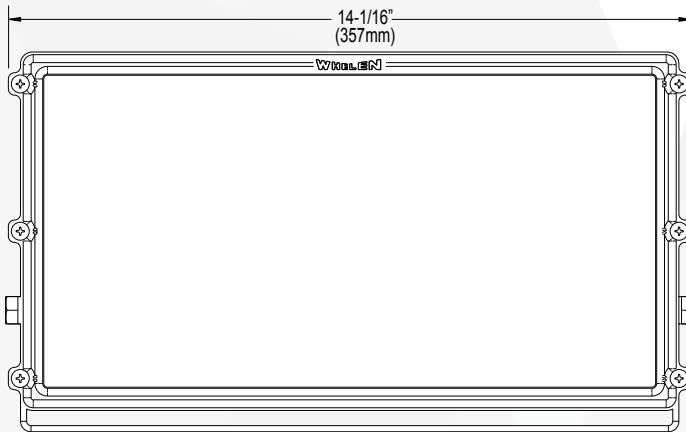
Pioneer Max Pole/Pedestal



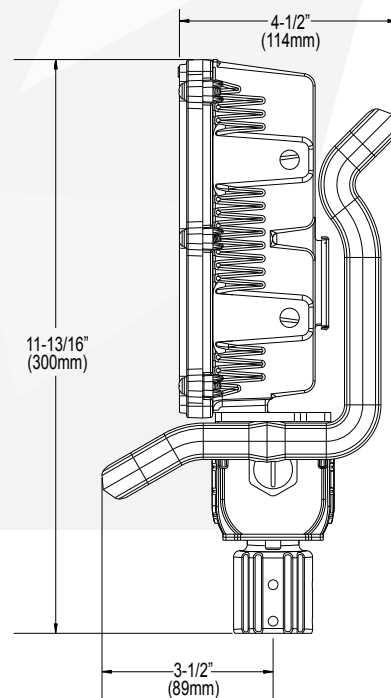
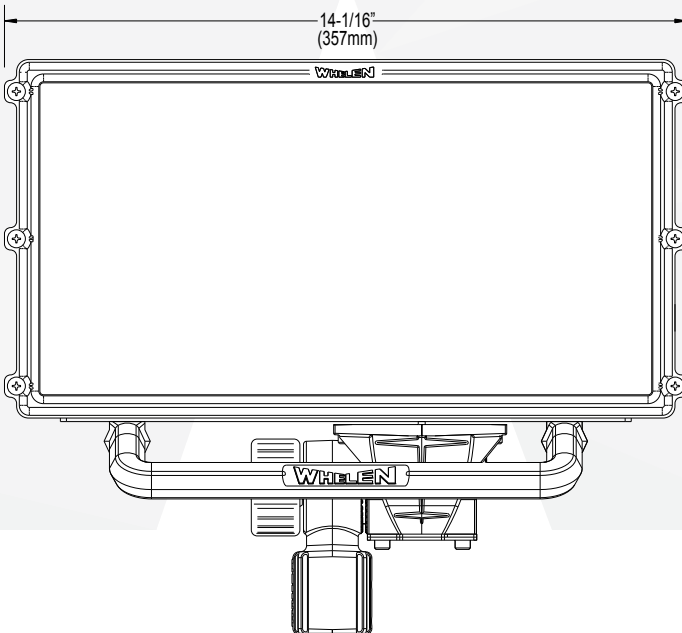
Pioneer Quad™ Lighthouse Only



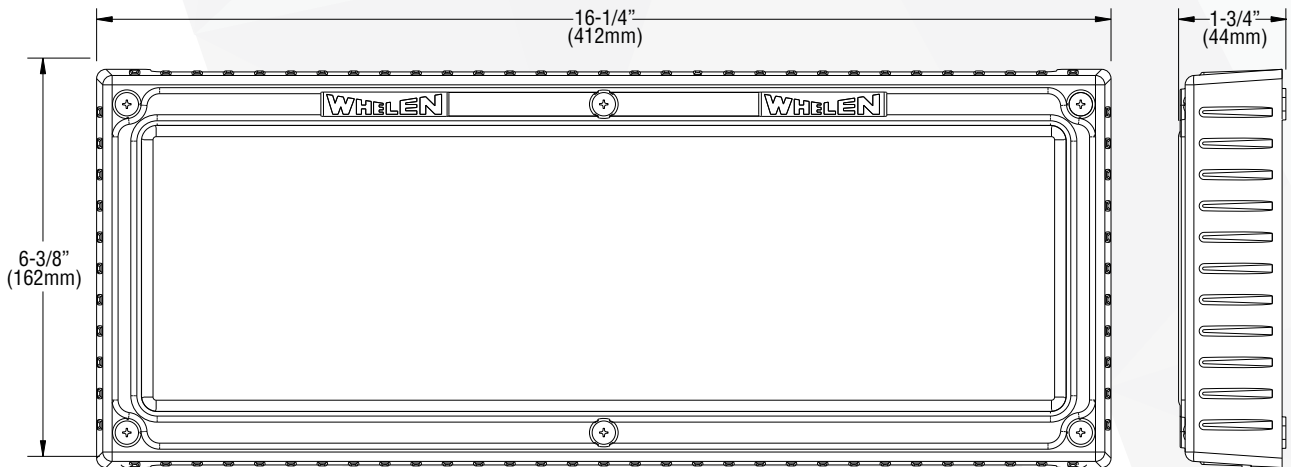
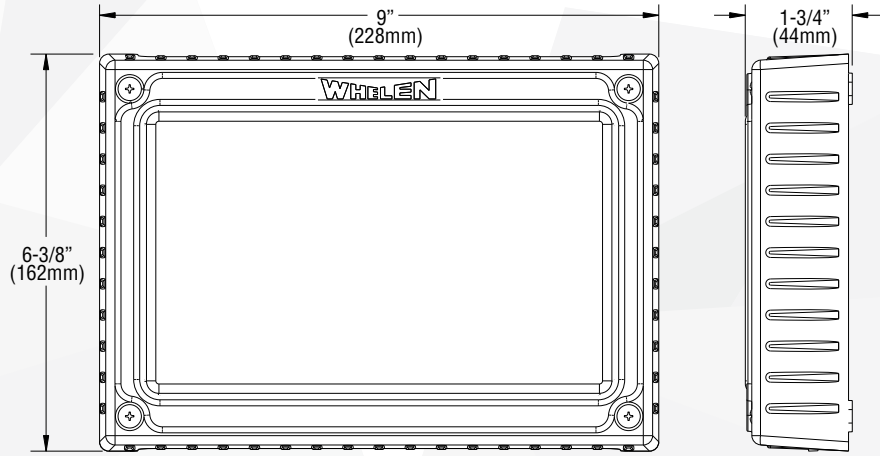
Pioneer Quad Bail Bracket



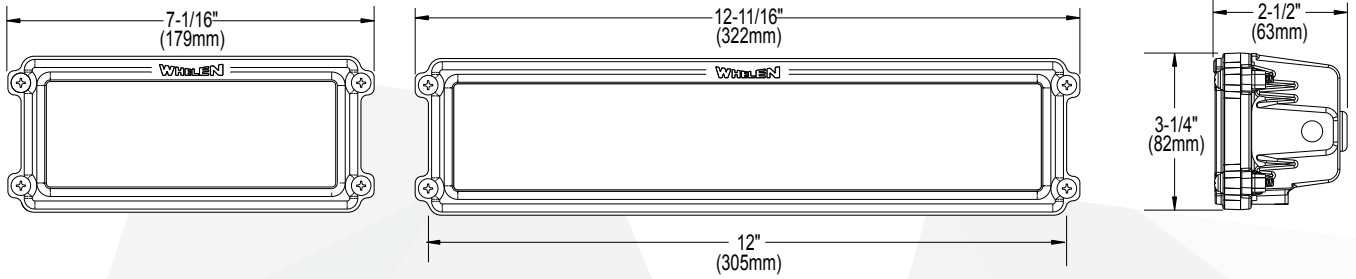
Pioneer Quad Pole/Pedestal



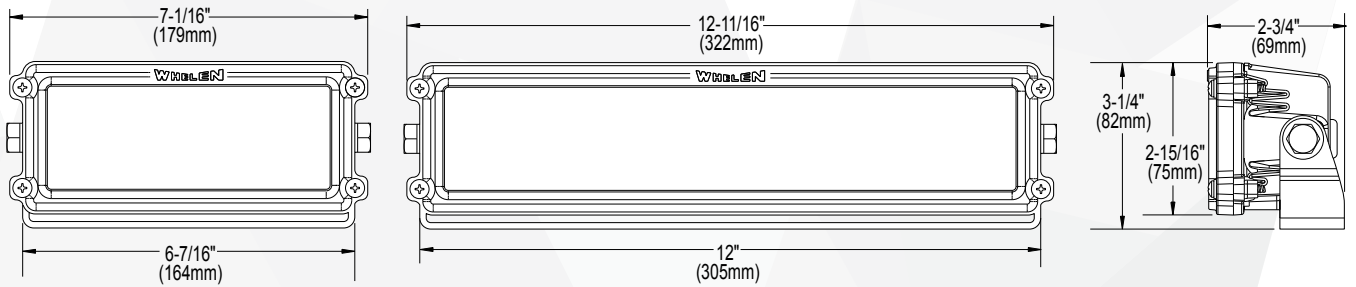
Pioneer Plus™ Surface Mount



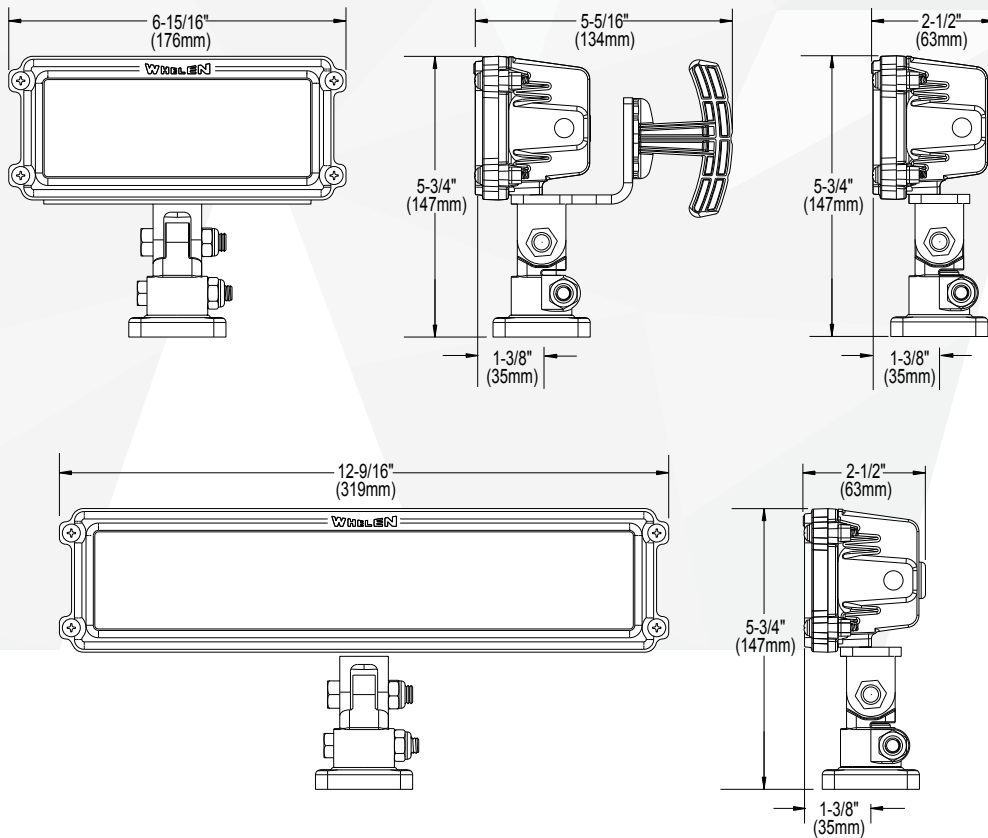
Pioneer SlimLine™ Lighthouse Only



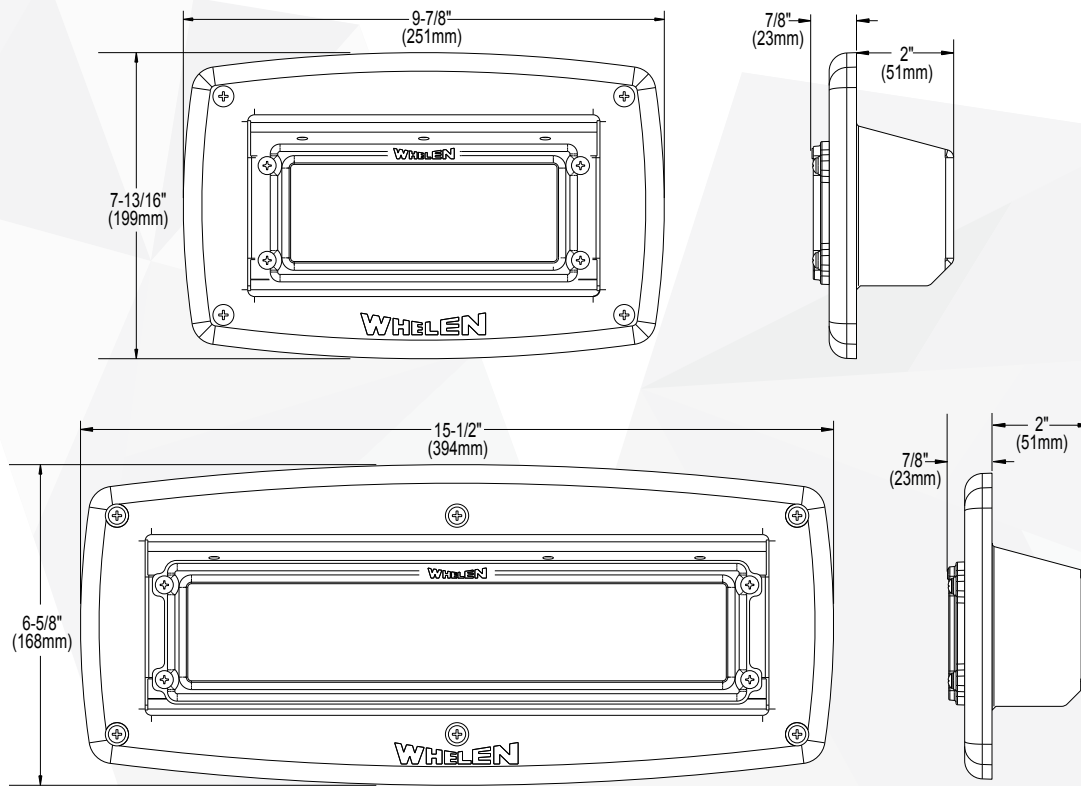
Pioneer SlimLine Bail Bracket



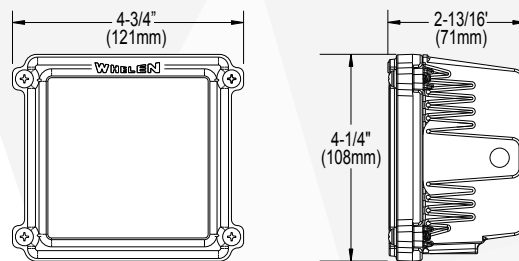
Pioneer SlimLine Pedestal/Swivel



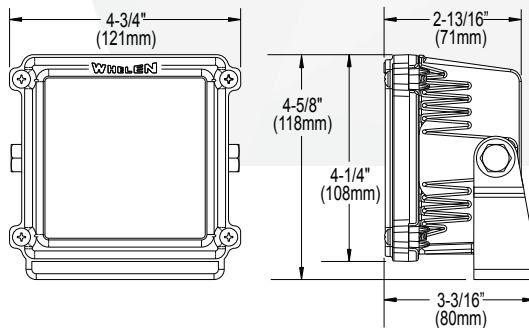
Pioneer SlimLine™ Semi-Recessed



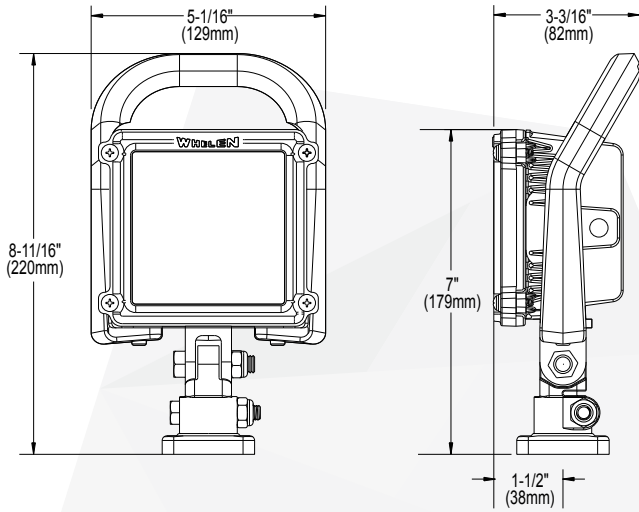
Pioneer Micro™ Lighthouse Only



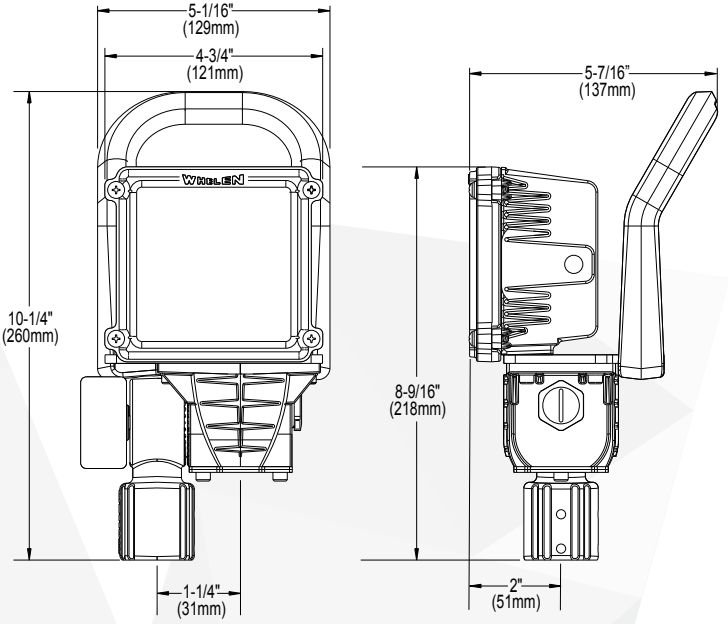
Pioneer Micro Bail Bracket



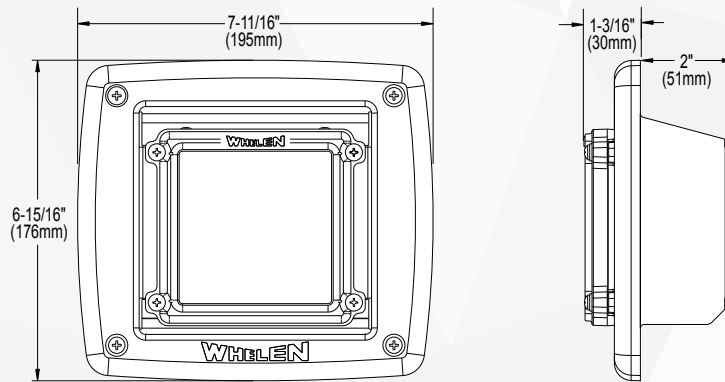
Pioneer Micro™ Pedestal/Swivel



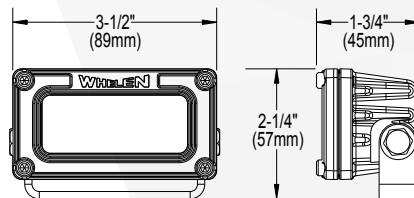
Pioneer Micro Pole/Pedestal



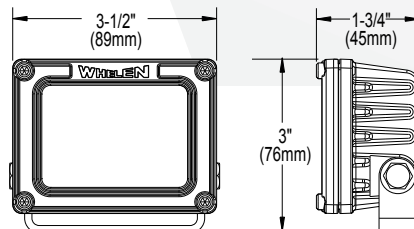
Pioneer Micro Semi-Recessed



Pioneer Nano™ 3 Bail Bracket

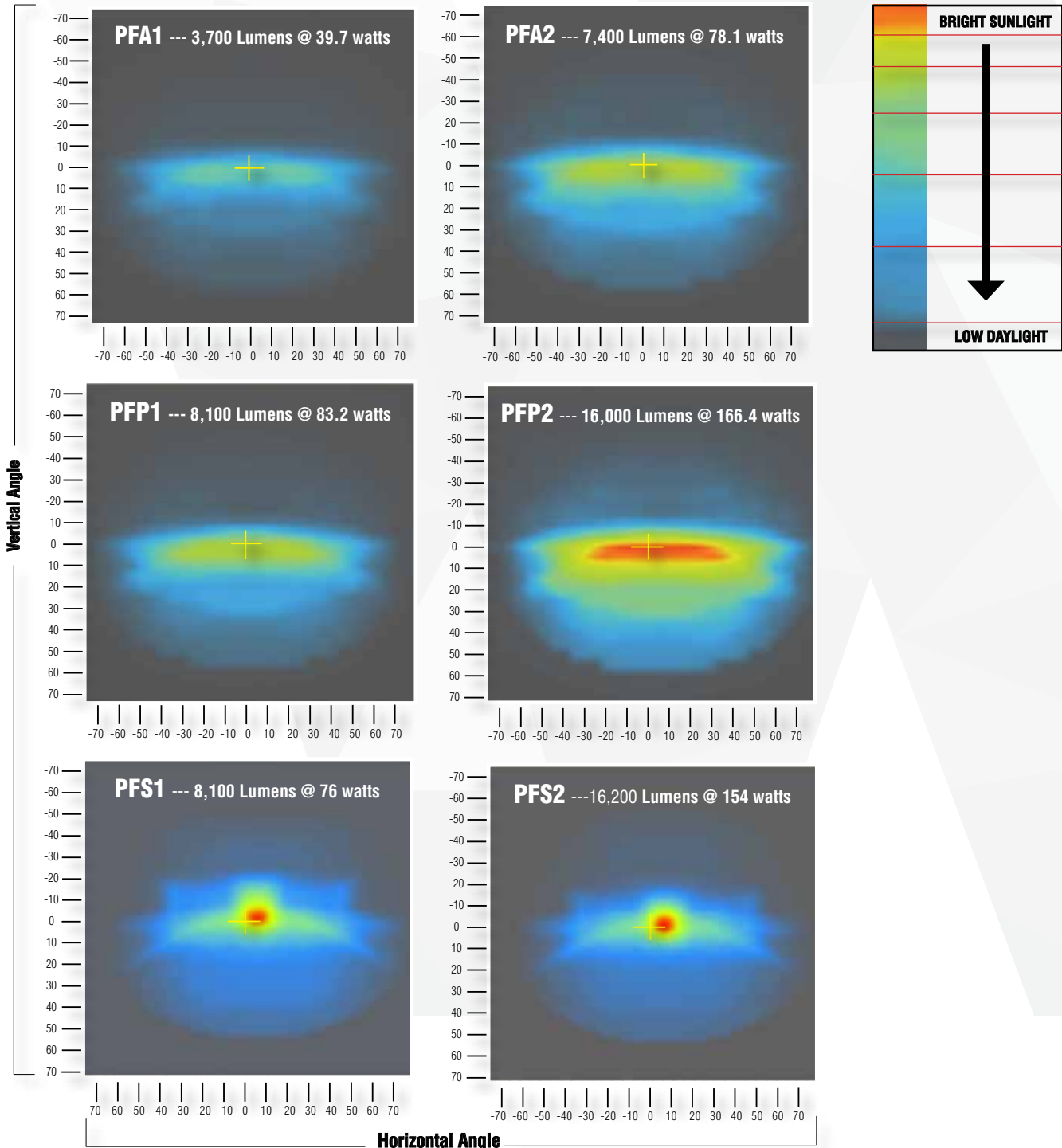


Pioneer Nano 6 Bail Bracket



Pioneer Series Isocandela Plots

Luminous Intensity in units of Candela is the energy emitted in one direction perceived by the human eye, and Luminous Flux in units of Lumens is the total energy emitted in all directions perceived by the human eye. These isocandela plots show usable light intensities at horizontal and vertical angles up and down. The red cross hairs represent the viewpoint of the observer at zero degrees vertical and horizontal. The colors indicate intensities of the light output. The warmer the colors, the more intense the light output. Pioneer Plus color temperatures reach 6,000 degree Kelvin, which simulates midday light.



Floodlight & Spotlight Comparisons

PIONEER, PIONEER PLUS™, and PIONEER MAX™ @ 100' DISTANCE

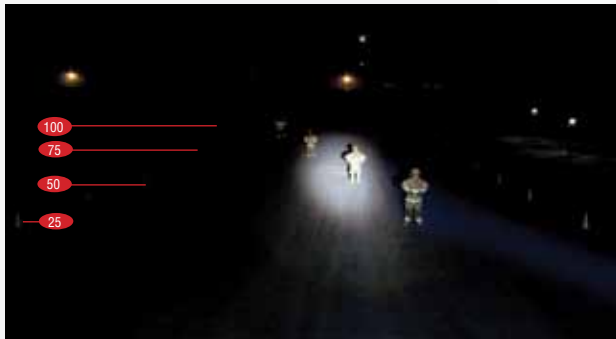
Pioneer Max PCP3 (210.4w - 16.5amp - 20,000 Lumens)



Pioneer Dual PFA2 (78.1w - 6amp - 7,400 Lumens)



Pioneer Plus 2° Spotlight PTP1 (83.2w - 6.5amp - 8,000 Lumens)



Pioneer Single PFA1 (39.7w - 3.1amp - 3,700 Lumens)



QUARTZ HALOGEN @ 100' DISTANCE

Quartz Halogen Single Lamp (150w - 13amp)



Quartz Halogen Single Lamp (300w - 24amp)

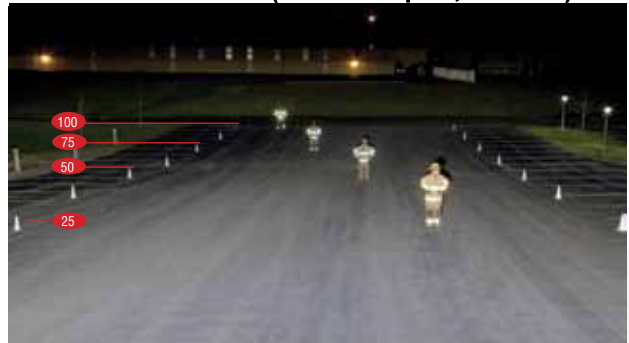


PIONEER PLUS™ @ 100' DISTANCE

Pioneer Plus Single PFP1 (83.2w - 6.5amp - 8,100 Lumens)



Pioneer Plus Dual PFP2 (166.4w - 13amp - 16,000 Lumens)



Pioneer Plus 8° Spotlight PSP1 (75w - 6.5amp - 8,000 Lumens)



Pioneer Plus Combination Flood/Spot PCP2 (150w - 12amp - 16,000 Lumens)



Pioneer Plus Single Combination Floodlight/ Spotlight PFS1 (77w - 6.5amp - 8,100 Lumens)



Pioneer Plus Dual Combination Floodlight/ Spotlight PFS2 (154w - 13amp - 16,200 Lumens)



HID @ 100' DISTANCE

HID Single Lamp (70w - 6amp)



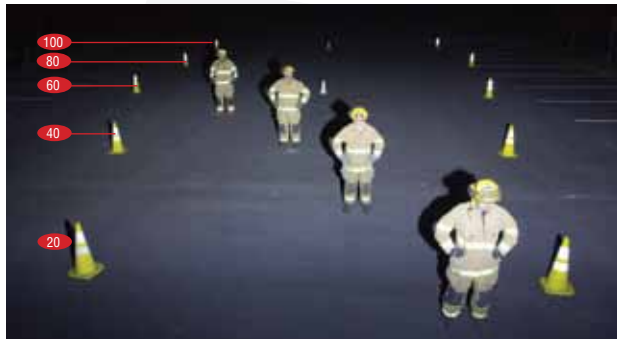
HID Single Lamp (150w - 12amp)



Floodlight & Spotlight Comparisons

PIONEER MICRO™ @ 100' DISTANCE

Pioneer Micro 90° x 20° Wide Floodlight (45w - 3.5amp - 4,000 Lumens)



Pioneer Micro 40° x 8° Horizontal Floodlight (45w - 3.5amp - 4,000 Lumens)



Pioneer Micro 40° x 20° Floodlight (45w - 3.5amp - 4,000 Lumens)



Pioneer Micro 8° Spotlight (45w - 3.5amp - 4,000 Lumens)



DUAL PIONEER SLIMLINE™ @ 100' DISTANCE

Pioneer SlimLine Dual 40° x 20° Combo Floodlight/Spotlight (78.3w - 6.1amp - 7,300 Lumens)



Pioneer SlimLine Dual 40° x 20° Wide Floodlight (78.3w - 6.1amp - 7,300 Lumens)



Pioneer SlimLine Dual 8° Wide Spotlight (78.3w - 6.1amp - 7,300 Lumens)



SINGLE PIONEER SLIMLINE™ @ 100' DISTANCE

Pioneer SlimLine Single 40° x 20° Floodlight
(39.2w - 3amp - 3,600 Lumens)

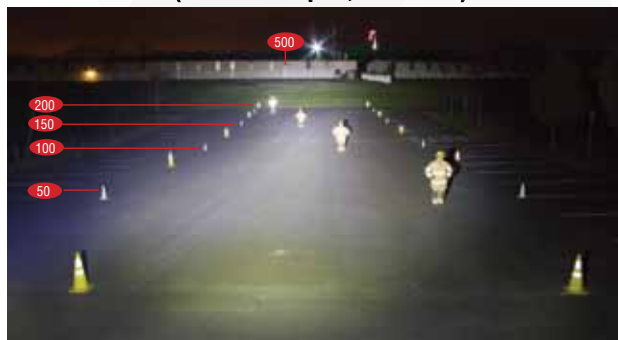


Pioneer SlimLine Single 8° Spotlight
(39.2w - 3amp - 3,600 Lumens)

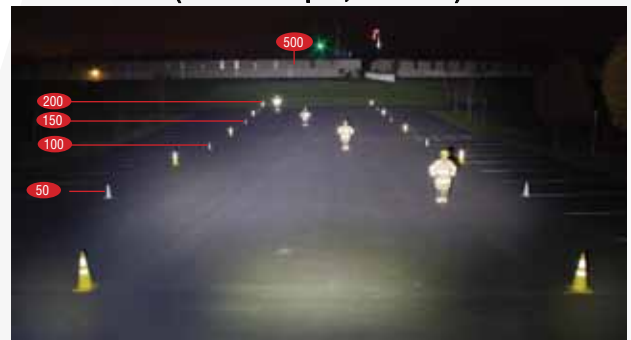


DUAL PIONEER SLIMLINE @ 200' DISTANCE

Pioneer SlimLine Dual 40° x 20° Combo Floodlight/Spotlight
(78.3w - 6.1amp - 7,300 Lumens)



Pioneer SlimLine Dual 40° x 8° Wide Floodlight
(78.3w - 6.1amp - 7,300 Lumens)

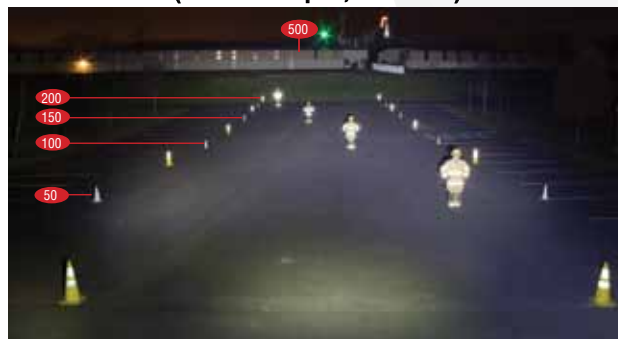


Pioneer SlimLine Dual 8° Wide Spotlight
(78.3w - 6.1amp - 7,300 Lumens)



SINGLE PIONEER SLIMLINE @ 200' DISTANCE

Pioneer SlimLine Single 40° x 20° Floodlight
(39.2w - 1.5amp - 3,600 Lumens)



Pioneer SlimLine Single 8° Spotlight
(39.2w - 1.5amp - 3,600 Lumens)



Floodlight & Spotlight Comparisons

PIONEER NANO™ 3 @ 50' DISTANCE

Pioneer Nano 3 - 40° x 20° Wide Floodlight
(12.8w - 1amp- 1,100 Lumens)



Pioneer Nano 3 - 8° Spotlight
(12.8w - 1amp- 1,100 Lumens)



PIONEER NANO 6 @ 50' DISTANCE

Pioneer Nano 6 - 40° x 20° Wide Floodlight
(19.6w - 1.5amp- 1,800 Lumens)



Pioneer Nano 6 - 8° Spotlight
(19.6w - 1.5amp- 1,800 Lumens)



SINGLE PIONEER SURFACE MOUNT @ 200' DISTANCE

**Pioneer Surface Mount - Single - 5° X 90° Flood/Spotlight
(76w - 6amp - 8,000 Lumens)**



**Pioneer Surface Mount - Single - 5° X 90° Flood/Spotlight -
PROFILE SHOT (76w - 6amp - 8,000 Lumens)**



DUAL PIONEER SURFACE MOUNT @ 200' DISTANCE

**Pioneer Surface Mount - Dual - 5° X 90° Flood/Spotlight
(154w - 12amp - 16,000 Lumens)**



**Pioneer Surface Mount - Dual - 5° X 90° Flood/Spotlight-
PROFILE SHOT (154w - 12amp - 16,000 Lumens)**



PIONEER QUAD™ 4-LAMP - 120 AC- @ 200' DISTANCE

**Pioneer Quad 5° x 90° Flood/Spotlight
(300w - 2.4ampAC - 30,000 Lumens)**



WHELEN[®]

ENGINEERING COMPANY, INC.

51 Winthrop Road
Chester, Connecticut 06412-0684
(860) 526-9504
www.whelen.com

ISO 9001:2008 Registered QMS

Distributed By:

