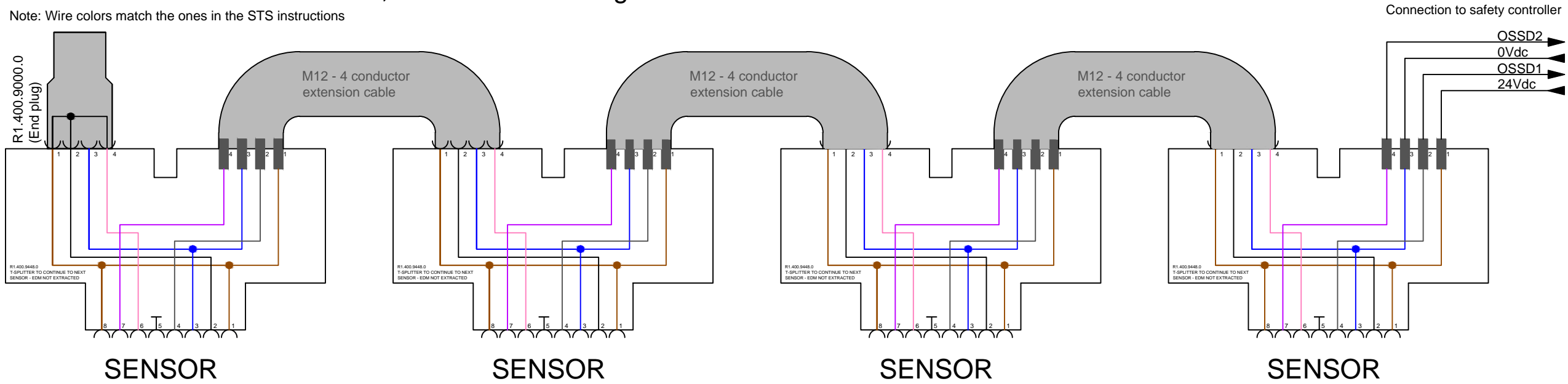


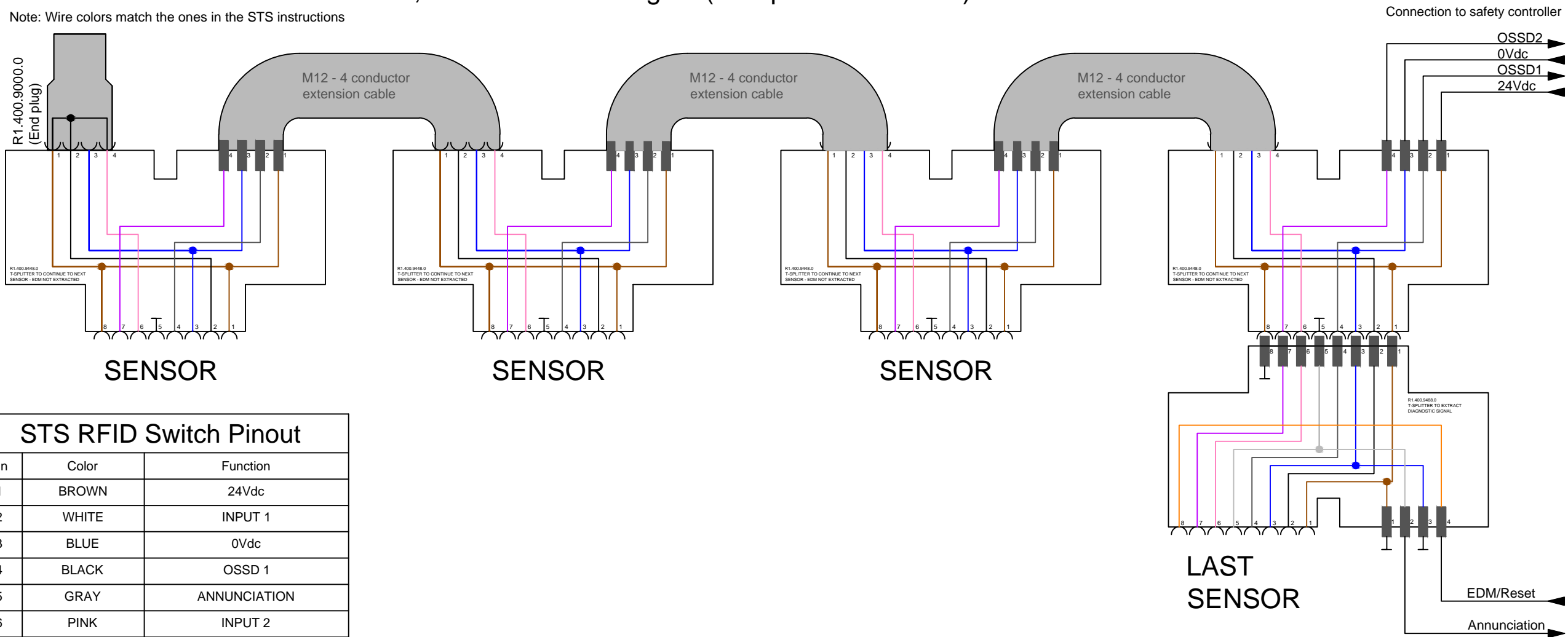
### Series connection - Auto Reset, no annunciation signal

Note: Wire colors match the ones in the STS instructions



### Series connection - Manual Reset, no annunciation signal (except on last switch)

Note: Wire colors match the ones in the STS instructions



STS RFID Switch Pinout		
Pin	Color	Function
1	BROWN	24Vdc
2	WHITE	INPUT 1
3	BLUE	0Vdc
4	BLACK	OSSD 1
5	GRAY	ANNUNCIATION
6	PINK	INPUT 2
7	VIOLET	OSSD 2
8	ORANGE	RESET / EDM

30-JUNE 2016 Date	1.1 Revision	1 of 4 Page	
-------------------------	-----------------	----------------	--

Martin Lalonde Drawn	Checked
----------------------------	---------

Do Not Scale  
Dimensions are approximate  
For representation only.

#### Notes

Company

Name

Title

Date Approved

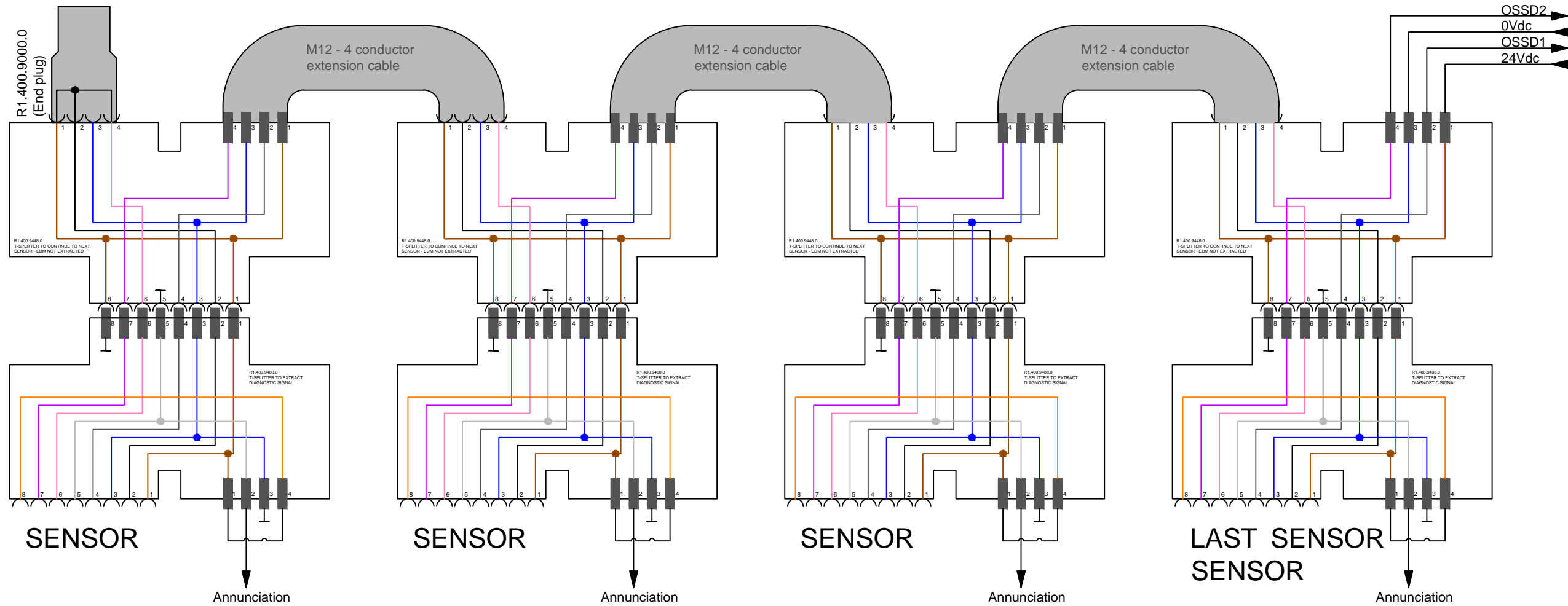
#### Signature

UNCONTROLLED COPY

All data and drawings are sent without acknowledgement of a legal obligation, without guarantee of completeness and without promise of a warranty. The data provided were ascertained using extreme care. However, possible sources of error cannot be excluded completely. We therefore do not accept any responsibility for damage and costs that may result from the use of these data. Binding data are to be taken exclusively from our drawings that are subject to confirmation.

### Series connection - Auto Reset, with annunciation signal

Note: Wire colors match the ones in the STS instructions



30-JUNE 2016 Date	1.1 Revision	2 of 4 Page	
-------------------------	-----------------	----------------	--

Martin  
Lalonde  
Drawn

Checked

Do Not Scale  
Dimensions are approximate  
For representation only.

Notes

Company

Name

Title

Date Approved

Signature

UNCONTROLLED COPY

All data and drawings are sent without acknowledgement of a legal obligation, without guarantee of completeness and without promise of a warranty. The data provided were ascertained using extreme care. However, possible sources of error cannot be excluded completely. We therefore do not accept any responsibility for damage and costs that may result from the use of these data. Binding data are to be taken exclusively from our drawings that are subject to confirmation.

#### STS RFID Switch Pinout

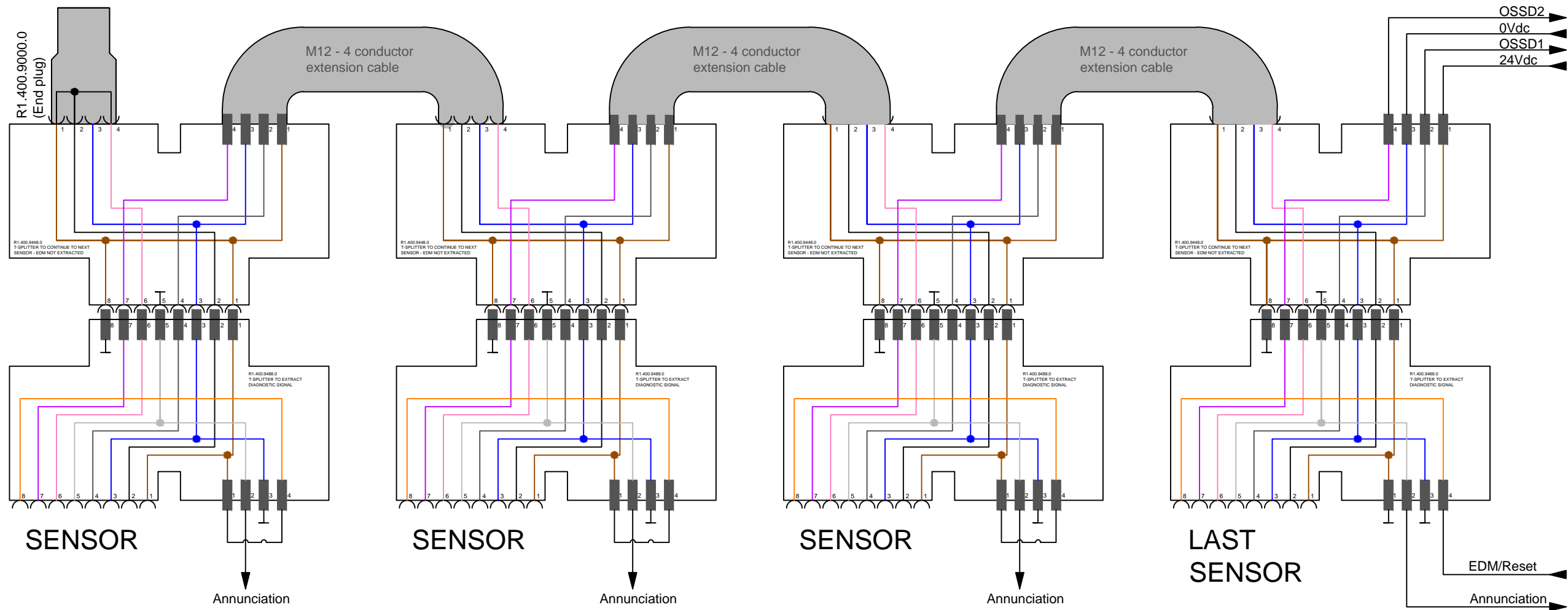
Pin	Color	Function
1	BROWN	24Vdc
2	WHITE	INPUT 1
3	BLUE	0Vdc
4	BLACK	OSSD 1
5	GRAY	ANNUNCIATION
6	PINK	INPUT 2
7	VIOLET	OSSD 2
8	ORANGE	RESET / EDM

2889 Brighton  
Road

Oakville Ontario

### Series connection - Manual Reset, with annunciation signal

Note: Wire colors match the ones in the STS instructions



30-JUNE 2016 Date	1.1 Revision	3 of 4 Page	
-------------------------	-----------------	----------------	--

Martin  
Lalonde  
Drawn

Checked

Do Not Scale  
Dimensions are approximate  
For representation only.

#### Notes

Company

Name

Title

Date Approved

Signature

UNCONTROLLED COPY

All data and drawings are sent without acknowledgement of a legal obligation, without guarantee of completeness and without promise of a warranty. The data provided were ascertained using extreme care. However, possible sources of error cannot be excluded completely. We therefore do not accept any responsibility for damage and costs that may result from the use of these data. Binding data are to be taken exclusively from our drawings that are subject to confirmation.

2889 Brighton Road      Oakville      Ontario

#### STS RFID Switch Pinout

Pin	Color	Function
1	BROWN	24Vdc
2	WHITE	INPUT 1
3	BLUE	0Vdc
4	BLACK	OSSD 1
5	GRAY	ANNUNCIATION
6	PINK	INPUT 2
7	VIOLET	OSSD 2
8	ORANGE	RESET / EDM

Do Not Scale  
Dimensions are approximate  
For representation only.

Notes

Company

Name

Title

Date Approved

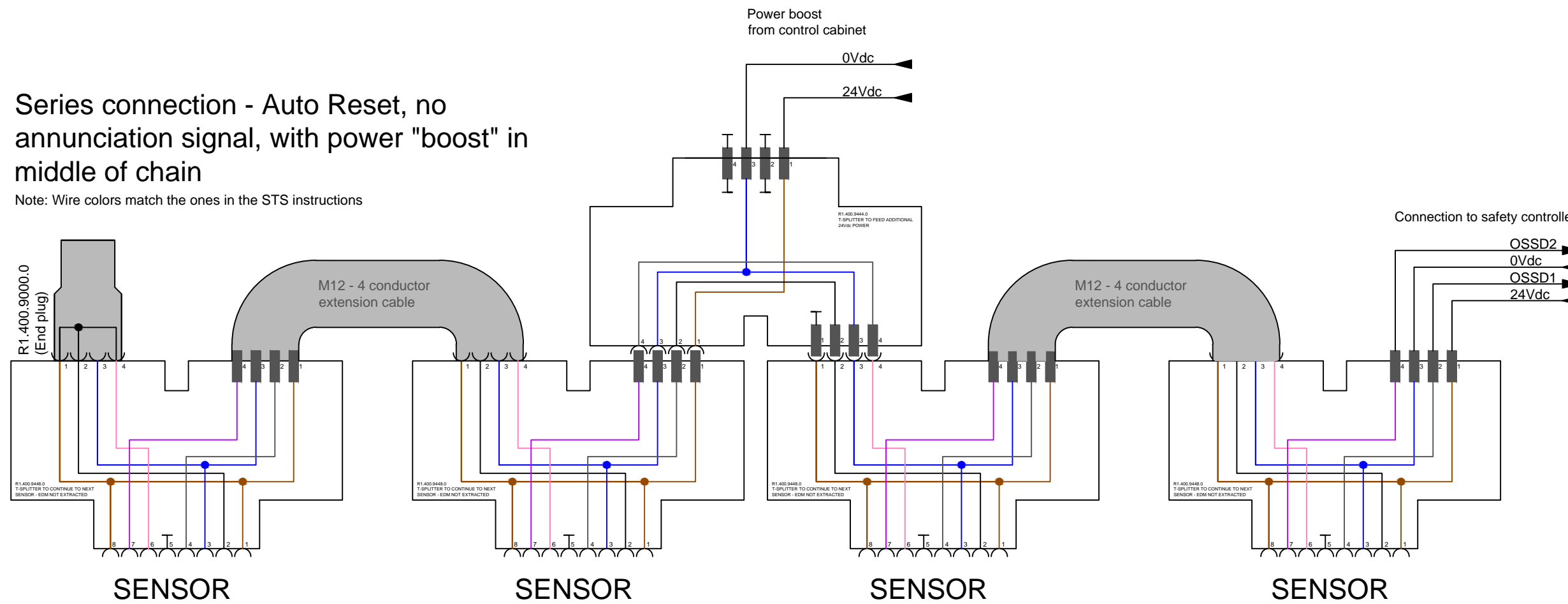
Signature

UNCONTROLLED COPY

All data and drawings are sent without acknowledgement of a legal obligation, without guarantee of completeness and without promise of a warranty. The data provided were ascertained using extreme care. However, possible sources of error cannot be excluded completely. We therefore do not accept any responsibility for damage and costs that may result from the use of these data. Binding data are to be taken exclusively from our drawings that are subject to confirmation.

### Series connection - Auto Reset, no annunciation signal, with power "boost" in middle of chain

Note: Wire colors match the ones in the STS instructions



Power boost is required if the 24Vdc load is heavy and the 24Vdc load exceeds 2A.

- when large loads are driven by the OSSD outputs
- when large loads are driven by multiple annunciation outputs

### STS RFID Switch Pinout

Pin	Color	Function
1	BROWN	24Vdc
2	WHITE	INPUT 1
3	BLUE	0Vdc
4	BLACK	OSSD 1
5	GRAY	ANNUNCIATION
6	PINK	INPUT 2
7	VIOLET	OSSD 2
8	ORANGE	RESET / EDM