

safety



 **wieland**

Universal safety relay  
SNO 4083KM

**Equipped for many cases**

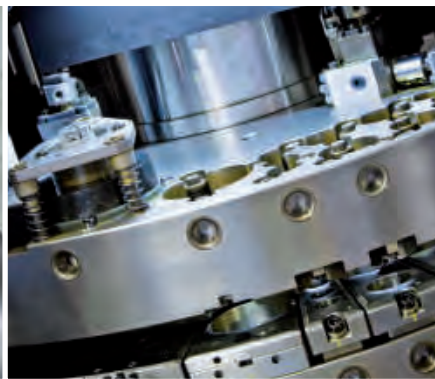






**Elevator systems**

Position monitoring of the elevator car, door monitoring and access control of the waiting area must take place safely and reliably. The SNO 4083KM has been tested and certified for these applications according to EN 81-1.



**Machine construction**

The universality of these relays permits safety functions such as reliable position monitoring, emergency stop and non-contact protective equipment to be monitored with a single device, even under harsh conditions.







**Thermal processes**

Approval according to EN 50156-1 is also required for industrial thermal processes. Here too, SNO 4083KM can take on a multitude of monitoring tasks. High environmental temperatures of up to 65 °C pose no problems.

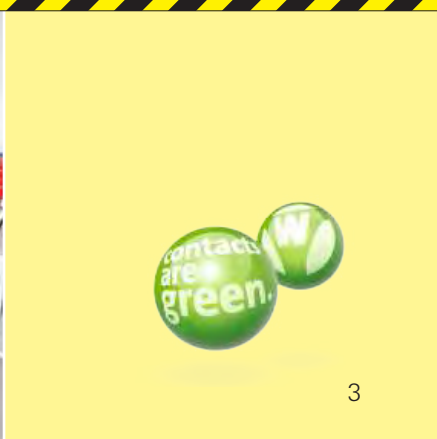
**SNO 4083KM**

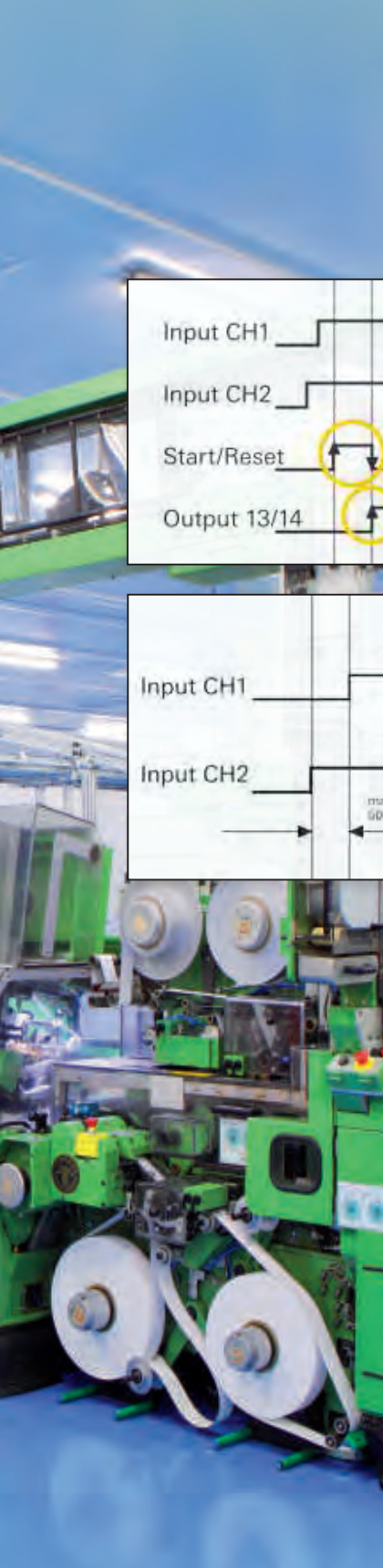
The universal, intelligent safety relay



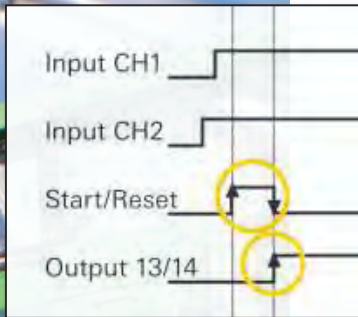
**Heating / burner installations**

The SNO 4083KM carries approval according to EN 50156-1. This makes it suitable for use in burner installations, e.g. for emergency stop functions, for monitoring fill levels or fuel supply as well as flames and pre-aeration. A range of supplementary devices with the required approval is also available.



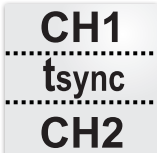
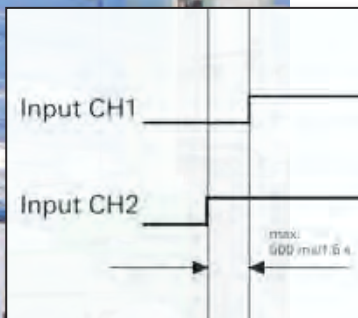


## More safety



### Safe Start

The monitoring of the rising and falling flanks after the input circuit closes, unique for safety relays, prevents undesired release due to faulty switches or manipulation.



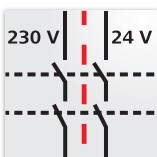
### Synchronous time monitoring

Monitoring sensor input synchronous time ensures that faulty sensors or improper sensor adjustment are detected.



### Test signal

A test signal on the sensor side ensures fast fault detection of cross circuits which other devices only recognize once intervention is required.



### Safe separation (complying with EN 50178)

The safe separation enables switching between different potentials (e.g. 24 V and 230 V) within a single device. This both increases safety and saves space in the control cabinet.





## Higher availability

### MONO FLOP

#### Monoflop function

Debouncing shorter sensor signals means a reliable reset is possible at any time. Long down times and deploying expensive maintenance personnel are avoided.



#### Reliability

The rugged, high quality design permits reliable function – even under harsh environmental conditions such as high temperatures (up to 65°C) or vibrations.

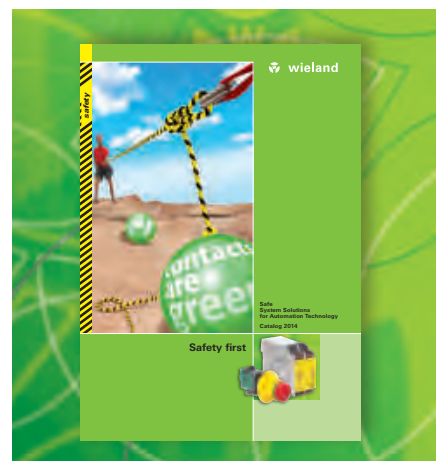


#### Intelligent diagnosis

A practice-oriented blink code displays typical faults (e.g. synchronous time faults, cross circuits, temperature, etc.) to significantly shorten troubleshooting for the service technician. Down times are reduced to the minimum.



You will find additional information in our catalog „Safety first“  
Order no. 0860.1



## Universality down the entire line



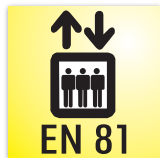
### Versatile sensors

- All current types of sensors can be evaluated
- One- and two-channel sensors
- Equivalent (NC/NC) or antivalent (NC/NO) sensors



### Versatile start functions

- Automatic reset
- Manual reset with **SAFE START**



### Industrial approvals

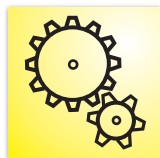
#### • EN 81 elevator systems

The type examination verifies suitability for the increasing requirements on safety switching devices in elevator applications.



#### • EN 50156 Combustion installations

Approval for this sector permits use with thermal processes in industry and also in the areas heating and energy supply.



#### • Machine construction

The SNO 4083KM is suitable for numerous functions in machine construction– even under harsh environmental conditions.

**Wieland offers a wide range of products for these industrial sectors. We would be pleased to advise you.**



### Compactness

Universal functionality in connection with 3 releases (NO) and one signal contact (NC) within the smallest space in the control cabinet – plus safe separation!



pending

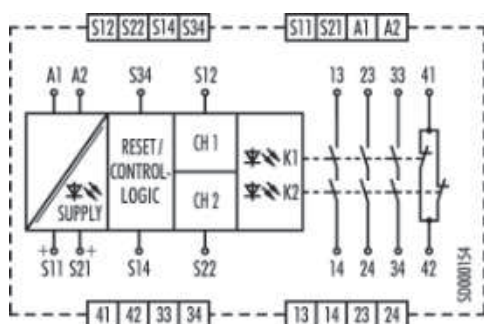
# Product information

## Plug-in terminals with coding

Plug-in coded terminals with spring tension and screw connection reduce assembly times



### Connection plan



The company's environmental achievements have been evaluated by independent reviewers during audits complying with ISO 140001:2004 and environmental checks complying with **EMAS**.

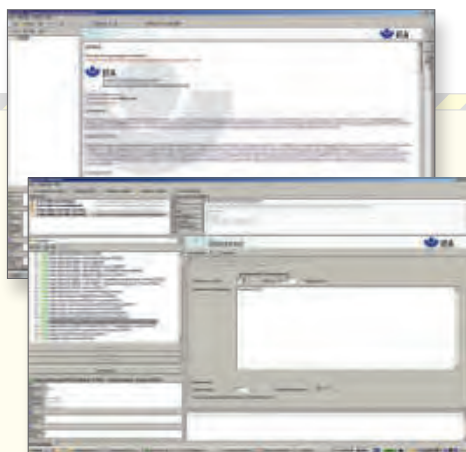


### Device overview | Order number

Type	Nominal voltage	Synchronous time	Terminals	Order number	UNIT
SNO 4083KM-A	24 V DC	1,5 s	Screw terminal, plug-in	R1.188.3580.0	1
SNO 4083KM-A	115-230 V AC	1,5 s	Screw terminal, plug-in	R1.188.3590.0	1
SNO 4083KM-C	24 V DC	1,5 s	Spring terminal, plug-in	R1.188.3600.0	1
SNO 4083KM-C	115-230 V AC	1,5 s	Spring terminal, plug-in	R1.188.3610.0	1
SNO 4083KM-A	24 V DC	0,5 s	Screw terminal, plug-in	R1.188.3830.0	1
SNO 4083KM-A	115-230 V AC	0,5 s	Screw terminal, plug-in	R1.188.3840.0	1
SNO 4083KM-C	24 V DC	0,5 s	Spring terminal, plug-in	R1.188.3850.0	1
SNO 4083KM-C	115-230 V AC	0,5 s	Spring terminal, plug-in	R1.188.3860.0	1

# Wieland software tools

## SISTEMA library



## EPLAN – Support during projection

EPLAN data and macros, which are an integral component to support automation projects, can be easily downloaded from the Wieland homepage [www.wieland-electric.com](http://www.wieland-electric.com)







# wieland

Company Headquarters:  
Wieland Electric GmbH  
Brennerstraße 10 – 14  
96052 Bamberg, Germany

Sales Center:  
Wieland Electric GmbH  
Benzstraße 9  
96052 Bamberg, Germany

Phone +49 951 9324-0  
Fax +49 951 9324-198  
[www.wieland-electric.com](http://www.wieland-electric.com)  
[info@wieland-electric.com](mailto:info@wieland-electric.com)

Technical support:  
Phone +49 951 9324-999  
Fax +49 951 9326-991  
[safety@wieland-electric.com](mailto:safety@wieland-electric.com)



**USA**  
**Wieland Electric Inc.**  
**North American Headquarters**  
2889 Brighton Road  
Oakville, Ontario L6H 6C9  
Phone +1 905 8298414  
Fax +1 905 829 413  
[www.wielandinc.com](http://www.wielandinc.com)



**CANADA**  
**Wieland Electric Inc.**  
**North American Headquarters**  
2889 Brighton Road  
Oakville, Ontario L6H 6C9  
Phone +1 905 8298414  
Fax +1 905 829 413  
[www.wieland-electric.ca](http://www.wieland-electric.ca)



**GREAT BRITAIN**  
**Wieland Electric Ltd.**  
Riverside Business Centre,  
Walnut Tree Close  
GB Guildford/Surrey GU1 4UG  
Phone +44 1483 531213  
Fax +44 1483 505029  
[sales.uk@wieland-electric.com](mailto:sales.uk@wieland-electric.com)



**FRANCE**  
**Wieland Electric SARL.**  
Le Céramé Hall 6  
47, avenue des Genottes  
CS 48313,  
95803 Cergy-Pontoise Cedex  
Phone +33 1 30320707  
Fax +33 1 30320717  
[info.adv@wieland-electric.com](mailto:info.adv@wieland-electric.com)



**SPAIN**  
**Wieland Electric S.L.**  
C/ Maria Auxiliadora 2 bajos  
E-08017 Barcelona  
Phone +34 93 2523820  
Fax +34 93 2523825  
[ventas@wieland-electric.com](mailto:ventas@wieland-electric.com)



**ITALY**  
**Wieland Electric S.r.l.**  
Via Edison, 209  
I-20019 Settimo Milanese  
Phone +39 02 48 916357  
Fax +39 02 48 920685  
[info.italy@wieland-electric.com](mailto:info.italy@wieland-electric.com)



**BELGIUM**  
**ATEM-Wieland Electric NV**  
Bedrijvenpark De Veert 4  
B-2830 Willebroek  
Phone +32 3 8661800  
Fax +32 3 8661828  
[info.belgium@wieland-electric.com](mailto:info.belgium@wieland-electric.com)



**DENMARK**  
**Wieland Electric A/S**  
Valløerækken 26  
DK-4600 Køge  
Phone +45 70 266635  
Fax +45 70 266637  
[sales.denmark@wieland-electric.com](mailto:sales.denmark@wieland-electric.com)



**SWISS**  
**Wieland Electric AG**  
Harzachstrasse 2b  
CH-8404 Winterthur  
Phone +41 52 2352100  
Fax +41 52 2352119  
[info.swiss@wieland-electric.com](mailto:info.swiss@wieland-electric.com)



**POLAND**  
**Wieland Electric Sp. Zo.o.**  
Św. Antoniego 8  
62-080 Swadzim  
Phone +48 61 2225400  
Fax +48 61 8407166  
[office@wieland-electric.pl](mailto:office@wieland-electric.pl)



**CHINA**  
**Wieland Electric Trading**  
Unit 2703  
International Soho City  
889 Renmin Rd., Huang Pu District  
PRC-Shanghai 200010  
Phone +86 21 63555833  
Fax +86 21 63550090  
[info-shanghai@wieland-electric.com](mailto:info-shanghai@wieland-electric.com)



**JAPAN**  
**Wieland Electric Co, Ltd.**  
Nisso No. 16 Bldg. 7F  
3-8-8 Shin-Yokohama,  
Kohoku-ku  
Yokohama 222-0033  
Phone +81 45 473 5085  
Fax +81 45 470 5408  
[info.japan@wieland-electric.com](mailto:info.japan@wieland-electric.com)



**Sales Partner:**  
You can reach us worldwide in more than  
40 countries. Find the contact address at:  
[www.wieland-electric.com](http://www.wieland-electric.com)

◀ **Informational brochures for downloading**

**For technical details use our eCatalog on our website  
at <https://eshop.wieland-electric.com>**

Subject to technical modifications!  
**gesis**®, **podis**®, **samos**® are registered  
trademarks of Wieland Electric GmbH

# contacts are green.

## Wieland worldwide

0861.1 S 05/14