

safety

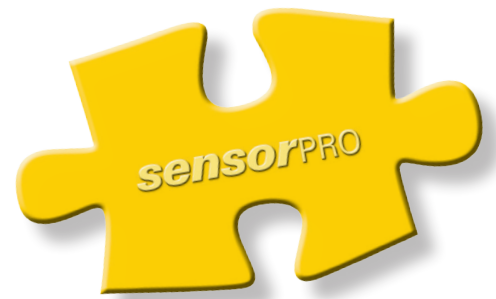


wieland



sensor PRO
STS – Non-contact
safety switches with coding





sensor PRO — safe signal acquisition

Safety light curtains SLC Series

SLC series safety light curtains are ideally suited for implementing optoelectronic protective devices. The **SLC series** is thereby used to protect operators from dangerous areas or as an access control against unauthorized trespassing.

Safety light grids SLD Series

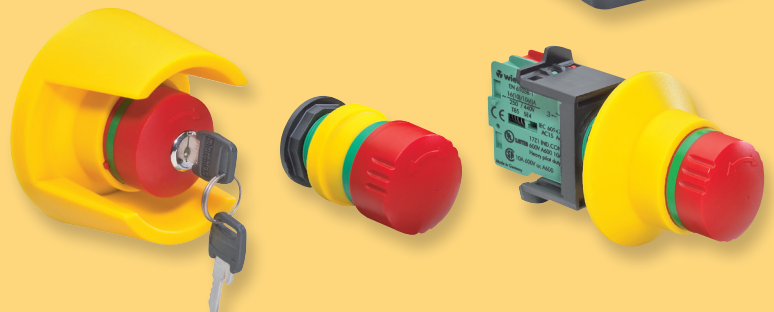
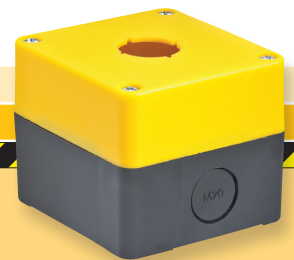
The **SLD series** safety light grids are optoelectronic personal protective devices for access protection to hazardous areas on machinery and equipment.

The two product families, **SLC** and **SLD**, offer an extensive range of items, uncomplicated connection technology and comprehensive additional functions for simple commissioning and fast diagnosis.



Light curtains + light grids
SLC + SLD Series

Emergency stop buttons
SNH Series



Emergency stop buttons SNH Series

The emergency stop buttons of the **SNH series** provide for the safety of man and machine and offer users a practical, robust and reliable design.

The fast and easy installation of the emergency stop buttons saves time and money, and a long durability as well as reliable functionality is guaranteed through the use of high-quality materials.

The emergency stop buttons of the **SNH series** can be used in a wide range of applications across the various sectors.

Safety switch with guard locking SIN Series

The safety switches in the **SIN series** are used to monitor the position of movable guards and prevent the accidental opening of safety doors or flaps with their integrated guard locking. They are typically used on machines with movements that occur after switching off, where it must be ensured that no person may gain access until the hazardous situation has ended.

Safety switch with separated actuator SMS Series

Safety switches in the **SMS series** are used to monitor movable guards. The safety switches are suitable for the protection of people and processes and are available in three different designs.

Non-contact safety switches STS Series

The non-contact safety switches from the **STS series** feature maximum manipulation protection and are used for monitoring the position of machine parts and the position of doors and switches of isolating protective devices.

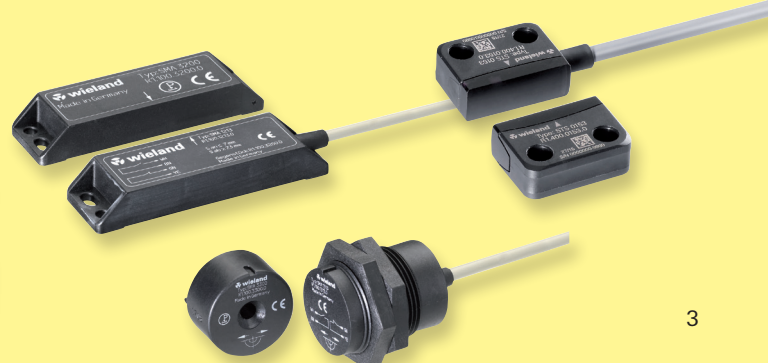
Magnetic safety switches SMA Series

The sensors of the **SMA series** are magnetic safety sensors which are used for the contactless monitoring of protective doors and the detection of safe positions. In addition, they are equipped with integrated manipulation protection and can be used up to IP67.

Mechanical safety switches
SIN + SMS Series



Non-contact safety switches
STS + SMA Series



STS – Non-contact safety switches with coding



STS 01xx

STS 02xx



Applications

- Protection of people or machines
- Position monitoring of machine parts
- Position monitoring of doors and switches of isolating protective devices

Features

- Individual coding for maximum manipulation protection
- Up to PL e / category 4 (EN 13849-1)
- Up to SIL_{CL} 3 (EN 62061)
- Up to 30 sensors can be cascaded
- Automatic or manual start
- LED and semiconductor output for diagnostics
- Switching distance of 8 mm / 10 mm
- Protection class IP67 / IP69K

Function

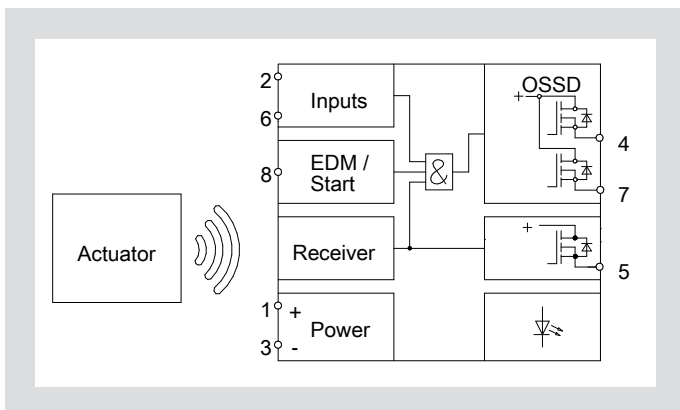
The non-contact safety switches from the STS series are used for monitoring the position of machine parts and the position of doors and switches of isolating protective devices.

The STS series features integrated evaluation and built-in manipulation protection.

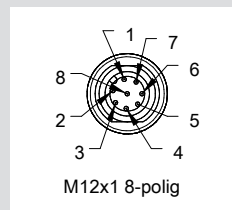
In the event of a hazard, access is approved or the machine is shut down, for example, by a device from the **safe** RELAY series or the **samos**[®]/**samos**[®]PRO safety system or by the safety switch directly.

Safety switches from the STS series are also able to switch larger loads without wear via safe outputs (OSSDs).

Circuit diagram



Pin assignment



Connector

PIN	Colour	Function
1	BN	UB
2	WH	Safety input 1
3	BU	GND
4	BK	Safety output 1
5	GY	Diagnostic output
6	PK	Safety input 2
7	VT	Safety output 2
8	OG	EDM-start input

STS – Non-contact safety switches with coding

Tailor-made manipulation protection

Different applications require different solutions when it comes to existing manipulation protection.

Safety switches from the STS series have 3 different coding variations, which means that they can always offer the right solution.

Coded:

The safety switch accepts every STS actuator.

Fully coded:

The safety switch only accepts the programmed-in STS actuator.

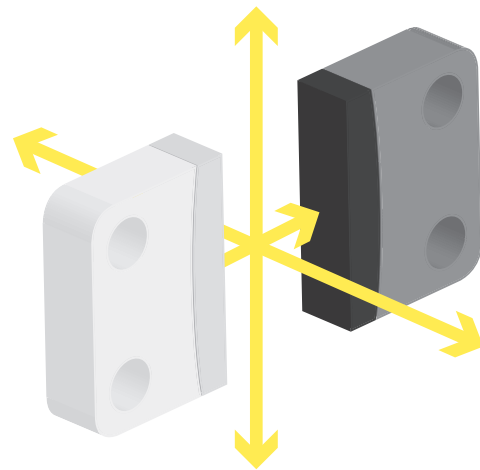
Unique:

The safety switch only accepts STS actuator delivered with it. An STS actuator cannot be programmed in.

Diverse installation

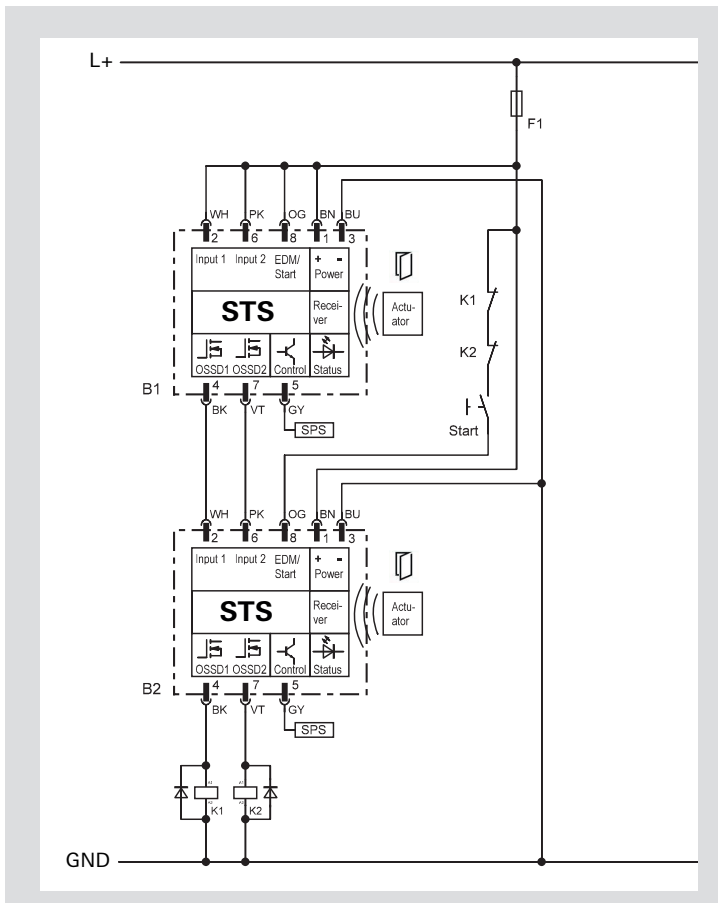
The 5 actuation directions of the STS series and the maximum displacement between the actuator and switch element of 8 mm make installation easy even when the protective device to be monitored has large mechanical tolerances.

The resulting advantage is that it can be used universally on removable, rotatable, or sideways-moving protective devices.



5 different actuation directions for universal use

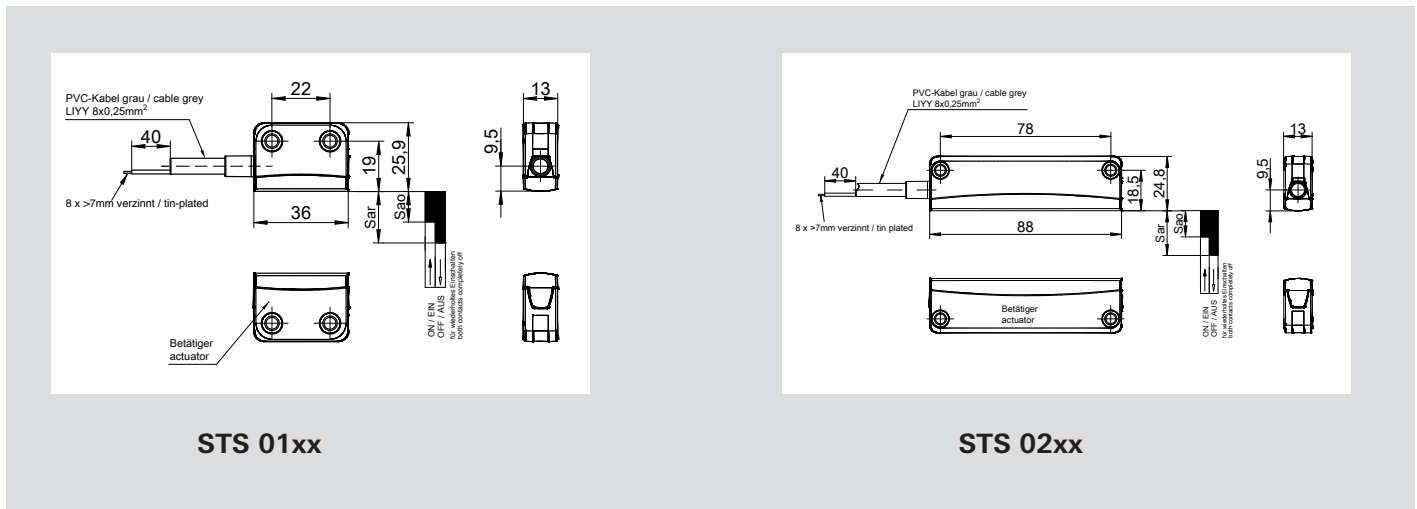
Application



Serial wiring of 2 safety switches STS with manual start and EDM

STS – Non-contact safety switches with coding

Circuit diagram



Technical data

Function	Non-contact safety switch	
Function display	LED, three-colored	
Supply circuit		
Nominal voltage U_N	24 V DC	
Operating voltage range U_B	0.9 - 1.1 x U_N	
Galvanic isolation supply circuit - output circuit	no	
Control circuits		
Number of safety inputs	2	
EDM/start input	1	
Input current, max.	2 mA	
Output circuits		
Number	OSSD	2
	Diagnostics	1
Short-circuit monitoring	yes	
Switching current, max.	OSSD	400 mA
	Diagnostics	50 mA
Switching voltage, max.	$U_B - 0.2 V$	
Series connection	max. 30 sensors	
Switching behavior		
Switching distance / (Sao / Sar)	STS 01xx	8 mm / 18 mm
	STS 02xx	10 mm / 18 mm
Hysteresis	2 mm	
Actuator displacement, max.	8 mm	
Actuation directions	Operator definable	
Switching frequency	3 Hz	
General data		
Creepage distances and clearances between the circuits	EN 60664-1	
Protection class as per EN 60529	IP67	
Operating ambient temperature	-25 °C - +70 °C	
Connection	M12 (8 pole) / cable (8 pole)	
Standards	EN ISO 13849-1, EN 62061	
Certificates / Approvals	TÜV, cULus	

STS – Non-contact safety switches with coding

Overview of devices | part numbers

Type	Description	Coding	Part no.	Std. pack
STS 0110	Switch-set, automatic start, connection M12-8	coded	R1.400.0110.0	1
STS 0113	Switch-set, automatic start, connection cable 3m	coded	R1.400.0113.0	1
STS 0114	Switch-set, automatic start, connection cable 5m	coded	R1.400.0114.0	1
STS 0116	Switch-set, automatic start, connection cable 10m	coded	R1.400.0116.0	1
STS 0130	Switch-set, automatic start, connection M12-8	fully-coded	R1.400.0130.0	1
STS 0133	Switch-set, automatic start, connection cable 3m	fully-coded	R1.400.0133.0	1
STS 0134	Switch-set, automatic start, connection cable 5m	fully-coded	R1.400.0134.0	1
STS 0136	Switch-set, automatic start, connection cable 10m	fully-coded	R1.400.0136.0	1
STS 0150	Switch-set, automatic start, connection M12-8	unique	R1.400.0150.0	1
STS 0153	Switch-set, automatic start, connection cable 3m	unique	R1.400.0153.0	1
STS 0154	Switch-set, automatic start, connection cable 5m	unique	R1.400.0154.0	1
STS 0156	Switch-set, automatic start, connection cable 10m	unique	R1.400.0156.0	1
STS 0120	Switch-set, manual start, connection M12-8	coded	R1.400.0120.0	1
STS 0123	Switch-set, manual start, connection cable 3m	coded	R1.400.0123.0	1
STS 0124	Switch-set, manual start, connection cable 5m	coded	R1.400.0124.0	1
STS 0126	Switch-set, manual start, connection cable 10m	coded	R1.400.0126.0	1
STS 0140	Switch-set, manual start, connection M12-8	fully-coded	R1.400.0140.0	1
STS 0143	Switch-set, manual start, connection cable 3m	fully-coded	R1.400.0143.0	1
STS 0144	Switch-set, manual start, connection cable 5m	fully-coded	R1.400.0144.0	1
STS 0146	Switch-set, manual start, connection cable 10m	fully-coded	R1.400.0146.0	1
STS 0160	Switch-set, manual start, connection M12-8	unique	R1.400.0160.0	1
STS 0163	Switch-set, manual start, connection cable 3m	unique	R1.400.0163.0	1
STS 0164	Switch-set, manual start, connection cable 5m	unique	R1.400.0164.0	1
STS 0166	Switch-set, manual start, connection cable 10m	unique	R1.400.0166.0	1
STS 0210	Switch-set, automatic start, connection M12-8	coded	R1.400.0210.0	1
STS 0213	Switch-set, automatic start, connection cable 3m	coded	R1.400.0213.0	1
STS 0214	Switch-set, automatic start, connection cable 5m	coded	R1.400.0214.0	1
STS 0216	Switch-set, automatic start, connection cable 10m	coded	R1.400.0216.0	1
STS 0230	Switch-set, automatic start, connection M12-8	fully-coded	R1.400.0230.0	1
STS 0233	Switch-set, automatic start, connection cable 3m	fully-coded	R1.400.0233.0	1
STS 0234	Switch-set, automatic start, connection cable 5m	fully-coded	R1.400.0234.0	1
STS 0236	Switch-set, automatic start, connection cable 10m	fully-coded	R1.400.0236.0	1
STS 0250	Switch-set, automatic start, connection M12-8	unique	R1.400.0250.0	1
STS 0253	Switch-set, automatic start, connection cable 3m	unique	R1.400.0253.0	1
STS 0254	Switch-set, automatic start, connection cable 5m	unique	R1.400.0254.0	1
STS 0256	Switch-set, automatic start, connection cable 10m	unique	R1.400.0256.0	1
STS 0220	Switch-set, manual start, connection M12-8	coded	R1.400.0220.0	1
STS 0223	Switch-set, manual start, connection cable 3m	coded	R1.400.0223.0	1
STS 0224	Switch-set, manual start, connection cable 5m	coded	R1.400.0224.0	1
STS 0226	Switch-set, manual start, connection cable 10m	coded	R1.400.0226.0	1
STS 0240	Switch-set, manual start, connection M12-8	fully-coded	R1.400.0240.0	1
STS 0243	Switch-set, manual start, connection cable 3m	fully-coded	R1.400.0243.0	1
STS 0244	Switch-set, manual start, connection cable 5m	fully-coded	R1.400.0244.0	1
STS 0246	Switch-set, manual start, connection cable 10m	fully-coded	R1.400.0246.0	1
STS 0260	Switch-set, manual start, connection M12-8	unique	R1.400.0260.0	1
STS 0263	Switch-set, manual start, connection cable 3m	unique	R1.400.0263.0	1
STS 0264	Switch-set, manual start, connection cable 5m	unique	R1.400.0264.0	1
STS 0266	Switch-set, manual start, connection cable 10m	unique	R1.400.0266.0	1
STS 3110	Actuator for STS 011x, 012x, 013x, 014x		R1.400.3110.0	1
STS 3210	Actuator for STS 021x, 022x, 023x, 024x		R1.400.3210.0	1

Note: Suitable M12 cables (SLX-CAB) can be selected on page 86 of the **safety**-catalog (0860.1)





wieland



USA
Wieland Electric Inc.
North American Headquarters
2889 Brighton Road
Oakville, Ontario L6H 6C9
Phone +1 905 8298414
Fax +1 905 829 413
www.wielandinc.com



CANADA
Wieland Electric Inc.
North American Headquarters
2889 Brighton Road
Oakville, Ontario L6H 6C9
Phone +1 905 8298414
Fax +1 905 829 413
www.wieland-electric.ca



GREAT BRITAIN
Wieland Electric Ltd.
Riverside Business Center,
Walnut Tree Close
GB Guildford/Surrey GU1 4UG
Phone +44 1483 531213
Fax +44 1483 505029
sales.uk@wieland-electric.com
www.wieland.co.uk



FRANCE
Wieland Electric SARL.
Le Cérame, Hall 6
47, avenue des Genottes
CS 48313,
95803 Cergy-Pontoise Cedex
Phone +33 1 30320707
Fax +33 1 30320717
info.france@wieland-electric.com
www.wieland-electric.fr



SPAIN
Wieland Electric S.L.
C/ Maria Auxiliadora 2, barcos
E-08017 Barcelona
Phone +34 93 2523820
Fax +34 93 2523825
ventas@wieland-electric.com
www.wieland-electric.es



ITALY
Wieland Electric S.r.l.
Via Edison, 209
I-20019 Settimo Milanese
Phone +39 02 48 916357
Fax +39 02 48 920685
info.italy@wieland-electric.com
www.wieland-electric.it



BELGIUM & GD LUXEMBOURG
ATEM-Wieland Electric NV
Bedrijvenpark De Veert 4
B-2830 Willebroek
Phone +32 3 8661800
Fax +32 3 8661828
info.belgium@wieland-electric.com
www.wieland-electric.be



DENMARK
Wieland Electric A/S
Vallørækken 26
DK-4600 Køge
Phone +45 70 266635
Fax +45 70 266637
sales.denmark@wieland-electric.com
www.wieland-electric.dk



SWITZERLAND
Wieland Electric AG
Harzachstrasse 2b
CH-8404 Winterthur
Phone +41 52 2352100
Fax +41 52 2352119
info.swiss@wieland-electric.com
www.wieland-electric.ch



POLAND
Wieland Electric Sp. z o.o.
Św. Antoniego 8
62-080 Swadzim
Phone +48 61 2225400
Fax +48 61 8407166
office@wieland-electric.pl
www.wieland-electric.pl



CHINA
Wieland Electric Trading
Unit 2703 International Soho City
889 Renmin Road,
Huang Pu District
PRC-Shanghai 200010
Phone +86 21 63555833
Fax +86 21 63550090
info-shanghai@wieland-electric.com
www.wieland-electric.cn



JAPAN
Wieland Electric Co, Ltd.
Nisso No. 16 Bldg. 7F
3-8-8 Shin-Yokohama,
Kohoku-ku
Yokohama 222-0033
Phone +81 45 473 5085
Fax +81 45 470 5408
info-japan@wieland-electric.com



GERMANY
Headquarters
Wieland Electric GmbH
Brennerstraße 10 – 14
96052 Bamberg, Germany
Phone +49 951 9324-0
Fax +49 951 9324-198
info@wieland-electric.com
www.wieland-electric.de

Sales Partner:

**You can reach us worldwide in more than 70 countries.
Find the contact address at: www.wieland-electric.com**

Subject to technical modifications!
gesis®, **RST**®, **GST**®, **GST18**®, **podis**®, **samos**® and **saris**®
are registered trademarks of Wieland Electric GmbH

0892.1 S 11/15

contacts
are
green.