

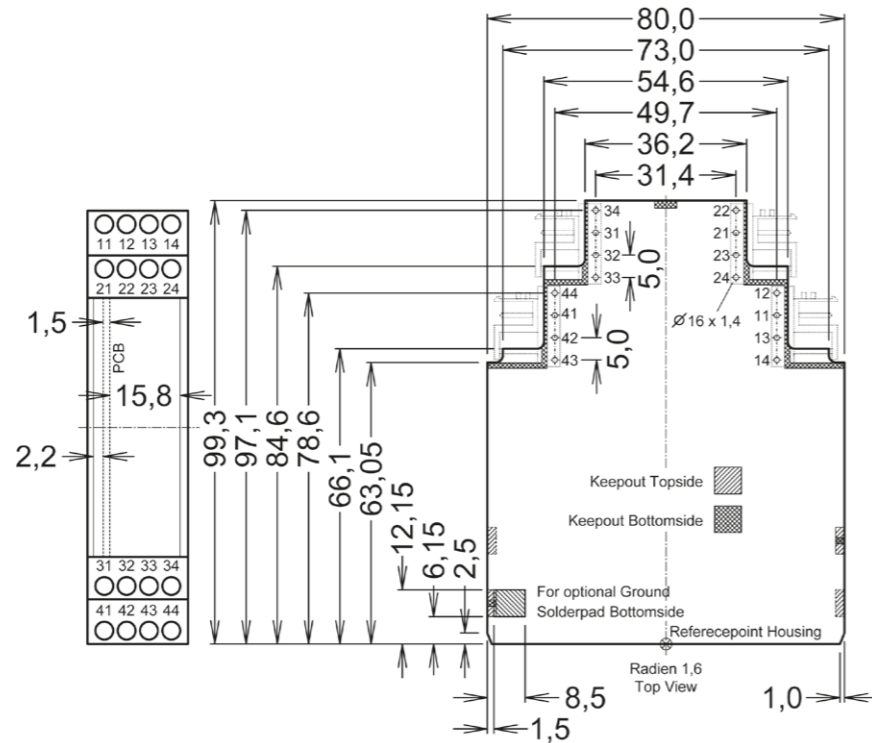
Headquarters:
Wieland Electric GmbH
Brennerstraße 10 – 14
96052 Bamberg, Germany

Sales and
Marketing Center:
Wieland Electric GmbH
Benzstraße 9
96052 Bamberg, Germany

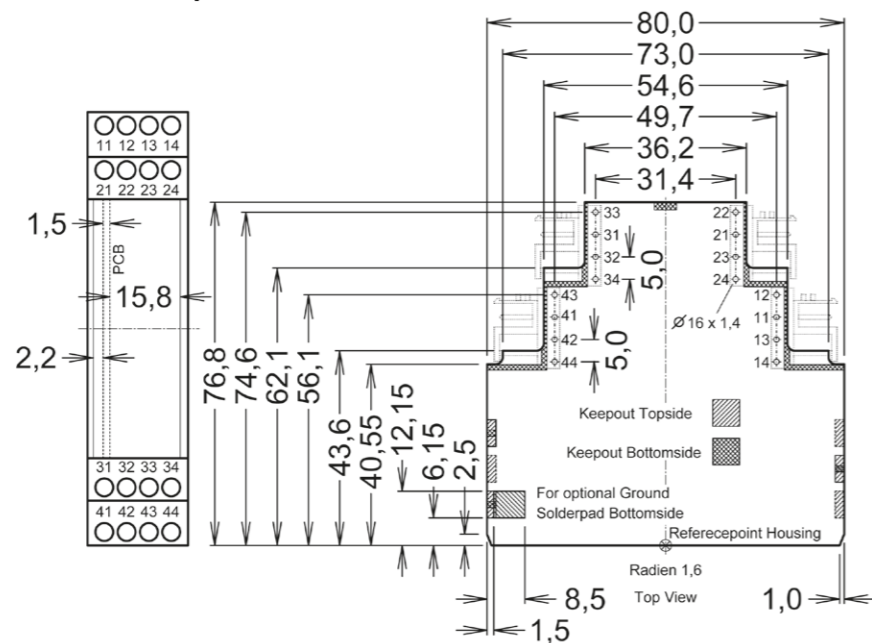
Phone +49 951 9324-0
Fax +49 951 9324-198
www.wieland-electric.com
info@wieland-electric.com

Dimensional drawing for PCB

wiebox Standard

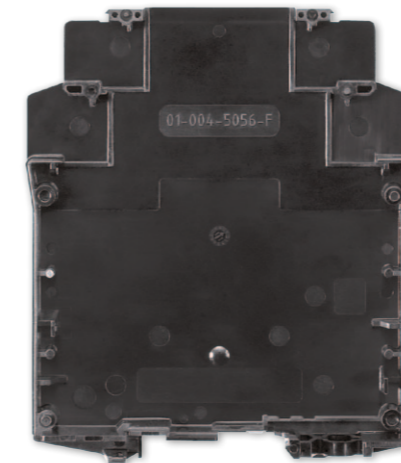
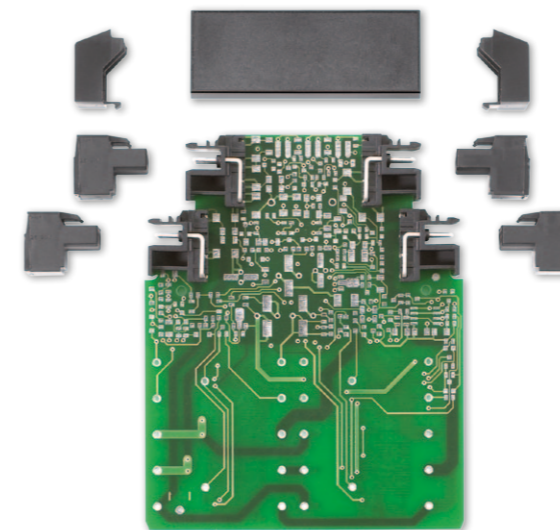


wiebox Compact



wiebox Electronic Housing

- Standard
- Compact



Benefits

- Consistent concept
- 22.5 mm housing width
- Rated voltage up to 500V
- Up to 2.5 mm² wire cross
- 4 - 16 terminals
- Degree of protection housing / terminals IP40/IP20
- Snap mounting
- Half-shell technology with three housing parts
- Halogen-free, laser-capable plastics
- Recyclable removal
- Segregated waste
- Housing colors gray; black; yellow
- Pluggable terminals
- Codable terminals

Industrial technology

Solutions for the control cabinet

- DIN rail terminal blocks
 - Screw, tension spring or push in connection technology
 - Wire cross sections up to 240mm²
 - Numerous special functions
 - Software solutions interfacing to CAE systems

• Safety

- Safe signal acquisition
- Safety switching devices
- Modular safety modules
- Compact safety controllers
- Applicative consultancy and training
- Network engineering and fieldbus systems
 - Remote maintenance via VPN industrial router and VPN-Service portal
 - Industrial Ethernet switches
 - PLC and I/O-Systems, standard and increased environmental conditions

• Interface

- Power supply units
- Overvoltage protection
- Coupling relays, semiconductor switches
- Timer relays, measuring and monitoring relays
- Analog coupling and converter modules
- Passive interfaces

Solutions for field applications

- Remote installation and automation technology
 - Electrical installation for wind tower
 - Fieldbus interfaces and motor starters

• Connectors for industrial applications

- Rectangular and round connectors
- Aluminum or plastic housings
- Degree of protection up to IP68
- Current-carrying capacity up to 100A
- Connectors for hazardous areas
- Modular, application specific technology

PC board terminals and connectors

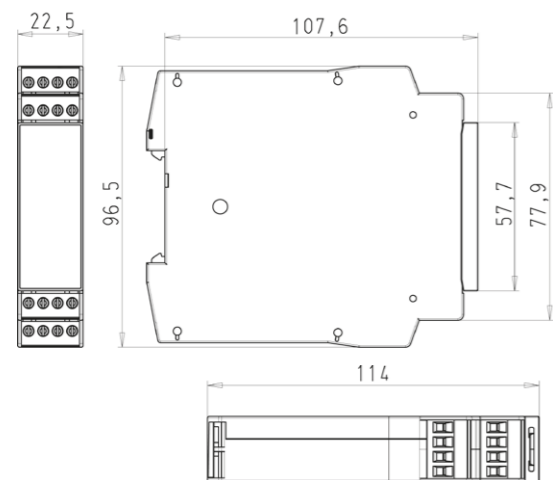
- Screw or spring clamp connection technology
- Spacings: 3.5 mm to 10.16 mm
- Reflow or wave soldering process

Building and installation technology

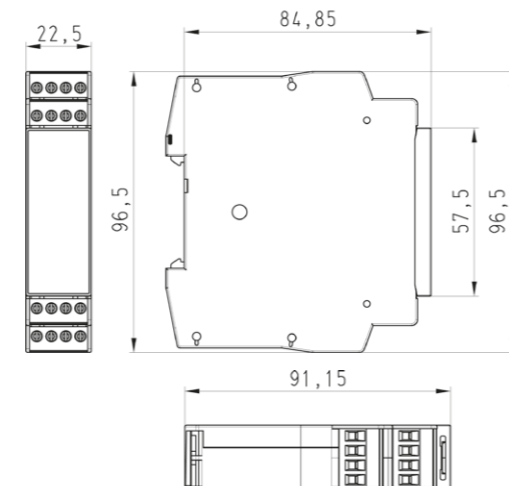
- Building installation systems
 - Main power supply connectors IP 20/IP 65 ... IP 68
 - Bus connectors
 - Low-voltage connectors
 - Power distribution system with flat cables
 - Distribution systems
 - Bus systems in KNX, LON and radio technology
 - DIN rail terminal blocks for electrical installations
 - Overvoltage protection



wiebox Standard



wiebox Compact



wiebox Standard

wiebox Compact

Typ	Order no.	Order no.	PU
wiebox sample set Standard / Compact	99.800.0000.0	99.801.0000.0	1
Housing shell*) gray	01.004.5000.0	01.004.6000.0	100
Housing shell*) black	01.004.5000.1	01.004.6000.1	100
Housing shell*) yellow	01.004.5000.8	01.004.6000.8	100
Front cover gray		07.430.4600.0	50
Front cover black		07.430.4600.1	50
Front cover yellow		07.430.4600.8	50

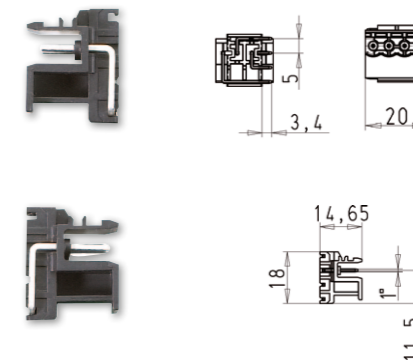
*) per housing 2 shells are required

Technical Data			
Dimensions (mm) W x H x D	22.5 x 96.5 x 114	22.5 x 96.5 x 91.5	
Weight of half-shell	28.1 g	21.4g	
Housing type	Installation housing, consisting of 2 identical half-shells		
Mounting	TS 35		
Material	PC		
Color	Light gray 7035, black RAL 9005, yellow RAL1021		
Operating temperature	-20 ... +60 °C		
Comparative tracking index	CTI 225		
Flammability	UL 94-V0 (minimum thickness 1.5 mm)		
Glow wire	960 °C; IEC60695-2-12		
Nominal thickness of the PCB	typical 1.5 mm		

Accessories

wiebox Electronic Housing

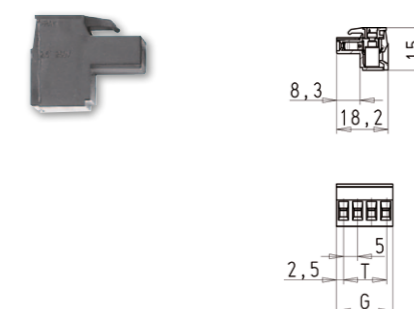
Product	Order no.	PU
PCB pin header left	25.332.6453.1	50
PCB pin header right	25.332.7453.1	50
Pitch	5.0 mm	
Solder pin diameter	1.0 mm	
Material	PA 66/6	
Color	black	
Coding possibility	4 (15 combinations)	
Rated voltage	250 V	
Rated current	12 A	
Approvals	cUR, CSA	



Product	Order no.	PU
Coding pin PCB header	05.567.5053.5	102
Material	PA 66/6	
Color	red	



Product	Order no.	PU
Female connector 4-pin	26.320.3453.1	50
Material	PA66/6	
Color	black	
Cross-sectional	0.14 ... 2.5 mm ²	
Torque	0.5 ... 0.7 Nm	
Stripping length	7 mm	
Coding possibility	4 (15 combinations)	
Rated voltage	250 V	
Rated current	12 A	
Approvals	cUR, CSA	



Product	Order no.	PU
Coding pin female connector	05.567.5153.5	102
Material	PA 66/6	
Color	red	



Product	Order no.	PU
Front cover	07.430.4600.0/1/8	50
Material	PC	
Color	gray/black/yellow	



Product	Order no.	PU
Blind cover	07.430.7853.1	50
Material	PC	
Color	black	



Product	Order no.	PU
Grounding spring	02.232.2100.0	50
Material	metal	

