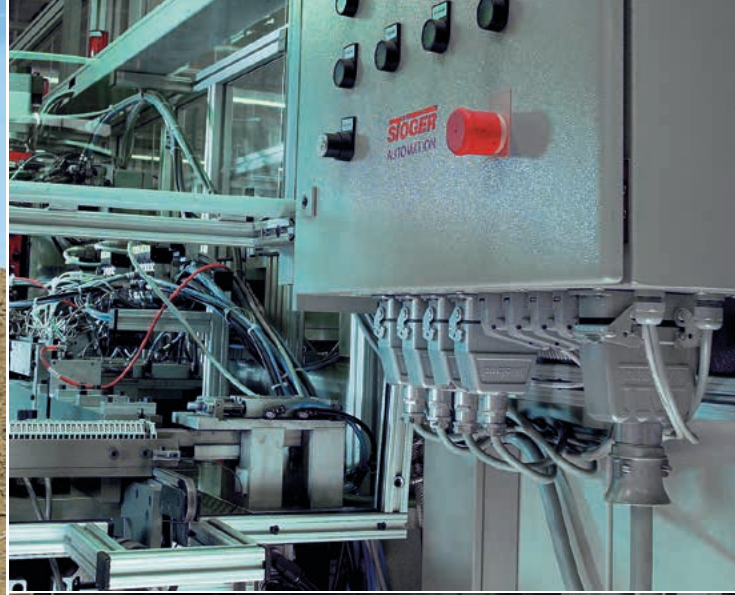




revos BASIC M
robust housing series
for extreme industrial
environments





Requirements

- Vibration test acc. to DIN 60068-2-6 (10-150Hz/2g)
- Vibration test acc. to DIN EN 61373-1-B
- Methods of exposure to laboratory light sources acc. to DIN EN ISO 4892-2
- Ozone test acc. to DIN ISO 1431-1:2011-05
- Corrosion protection (NSS) of >1500 hrs according to DIN EN ISO 9227

Robust and convenient

The connector series **revos** BASIC M was specifically designed for increased environmental requirements.

Plant construction and engineering as well as construction machinery or wind power stations have the highest requirements for industrial connectors: Vibration, intruding humidity and corrosion are only few of the stress factors electric connection technology has to stand up to. The **revos** BASIC M connectors are robust, durable and at the same time more convenient to use. The practical single locking lever lets you actuate the connectors safely even in confined spaces. The stainless steel locking levers are coated with heat-resistant, thermoplastic material. Ergonomic grip grooves provide better handling and ensure that the connector can be actuated under any ambient conditions. The movable locking bolts and the locking lever with rollers are also made of stainless steel and are very resistant to wear and abrasion. The optional aluminum cover ensures increased flexibility on site and protects the connectors in case service is needed.

✓ **Single locking lever**

✓ **Chemically stable sealing**

✓ **Stainless steel lever and bolt**



Hoods, single locking lever Size 6

Hoods Size 6

Lateral cable entry



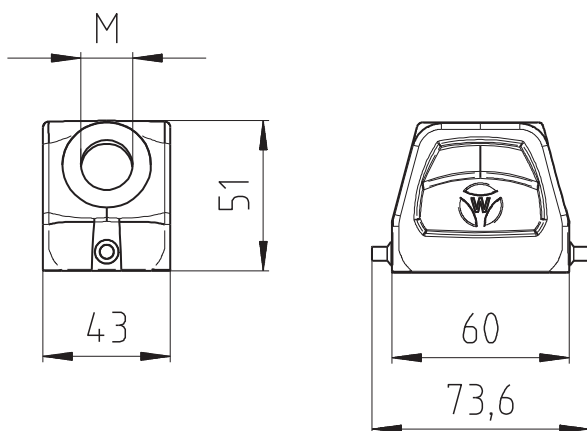
Top cable entry



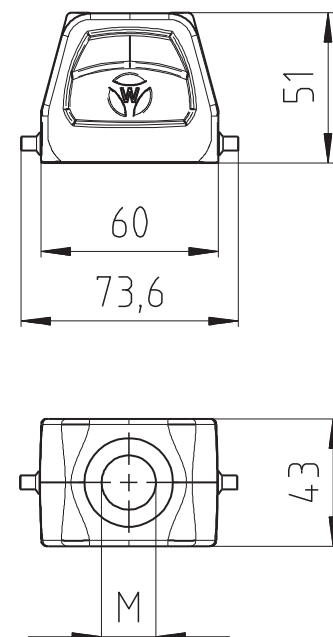
Description	Type	M	Part No.	P.U.
Hoods, size 6	Aluminum housing			
Lateral cable entry M20				
with threaded collar	BAS GOM GG 6 M20 B1	20	70.450.0637.1	1
Top cable entry M20				
with threaded collar	BAS GOM GI 6 M20 B1	20	70.452.0637.1	1
Technical data				
Material	Die cast aluminum alloy			
Surface	-			
Corrosion protection (NSS)	> 1500 hrs according to DIN EN ISO 9227			
Locking levers	-			
Gasket	-			
Degree of protection				
with appropriate cable glands	IP 66 according to DIN EN 60 529			
Protection class according to UL 50	NEMA Type 4/4X/12 (pending)			
Temperature range	-40 ... +120 °C			
Description	Type	M	Part No.	P.U.
Accessories				
Cable gland IP68, nickel-plated brass	Connection range 8 – 13 mm	20	Z5.507.1321.0	10

Dimensions

Lateral cable entry



Top cable entry



Hoods, single locking lever Size 10

Hoods Size 10

Lateral cable entry



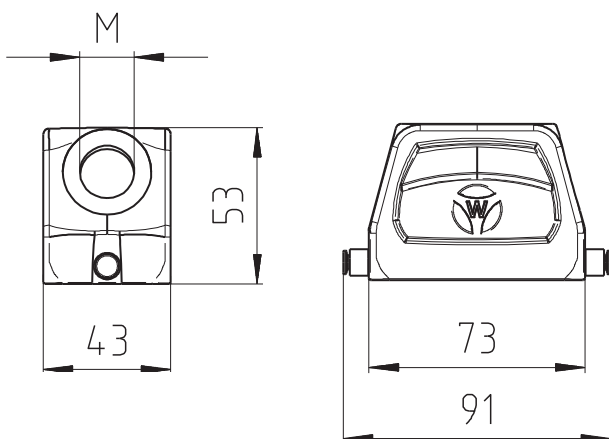
Top cable entry



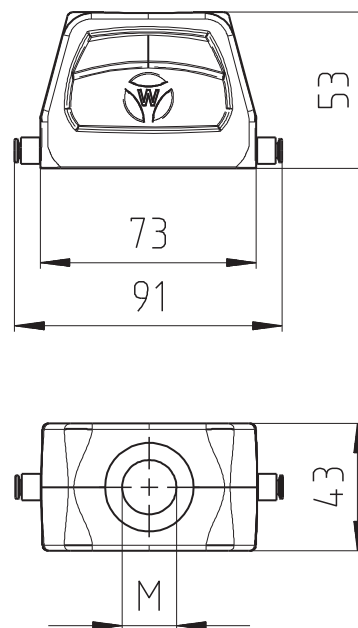
Description	Type	M	Part No.	P.U.
Hoods, size 10	Aluminum housing			
Lateral cable entry M20				
with threaded collar	BAS GOM GG10 M20 B1	20	71.450.1037.1	1
Top cable entry M20				
with threaded collar	BAS GOM GI10 M20 B1	20	71.452.1037.1	1
Technical data				
Material	Die cast aluminum alloy			
Surface	-			
Corrosion protection (NSS)	> 1500 hrs according to DIN EN ISO 9227			
Locking levers	-			
Gasket	-			
Degree of protection				
with appropriate cable glands	IP 66 according to DIN EN 60 529			
Protection class according to UL 50	NEMA Type 4/4X/12 (pending)			
Temperature range	-40 ... +120 °C			
Accessories				
Cable gland IP68, nickel-plated brass	Connection range 8 – 13 mm	20	Z5.507.1321.0	10

Dimensions

Lateral cable entry



Top cable entry



Hoods, single locking lever Size 16

Hoods Size 16

Lateral cable entry



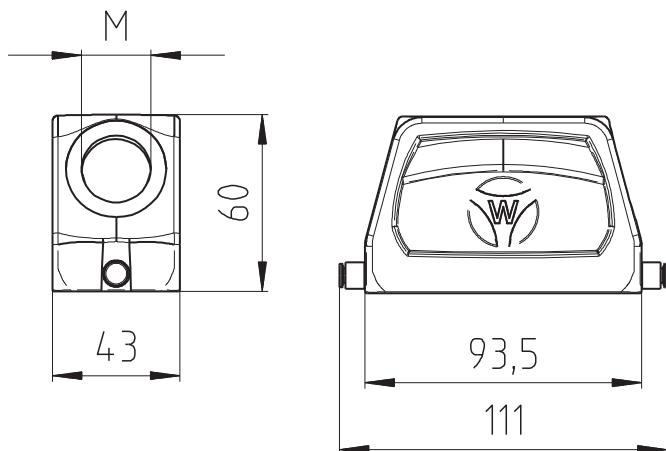
Top cable entry



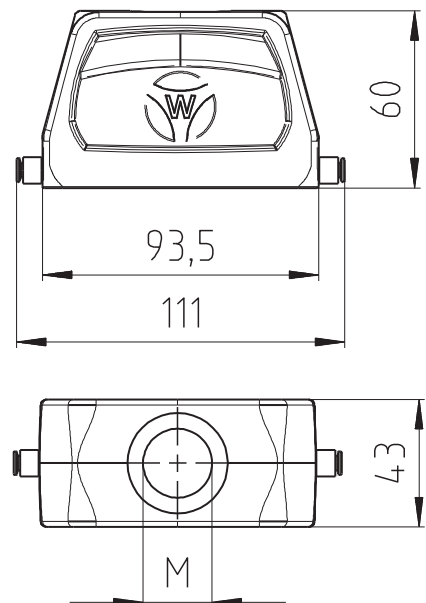
Description	Type	M	Part No.	P.U.
Hoods, size 16	Aluminum housing			
Lateral cable entry M20				
with threaded collar	BAS GOM GG16 M25 B1	25	71.450.1637.1	1
Top cable entry M20				
with threaded collar	BAS GOM GI16 M25 B1	25	71.452.1637.1	1
Technical data				
Material	Die cast aluminum alloy			
Surface	-			
Corrosion protection (NSS)	> 1500 hrs according to DIN EN ISO 9227			
Locking levers	-			
Gasket	-			
Degree of protection				
with appropriate cable glands	IP 66 according to DIN EN 60 529			
Protection class according to UL 50	NEMA Type 4/4X/12 (pending)			
Temperature range	-40 ... +120 °C			
Description	Type	M	Part No.	P.U.
Accessories				
Cable gland IP68, nickel-plated brass	Connection range 11 – 18 mm	25	Z5.507.1521.0	10

Dimensions

Lateral cable entry



Top cable entry



Hoods, single locking lever

Size 24

Hoods Size 24

Lateral cable entry



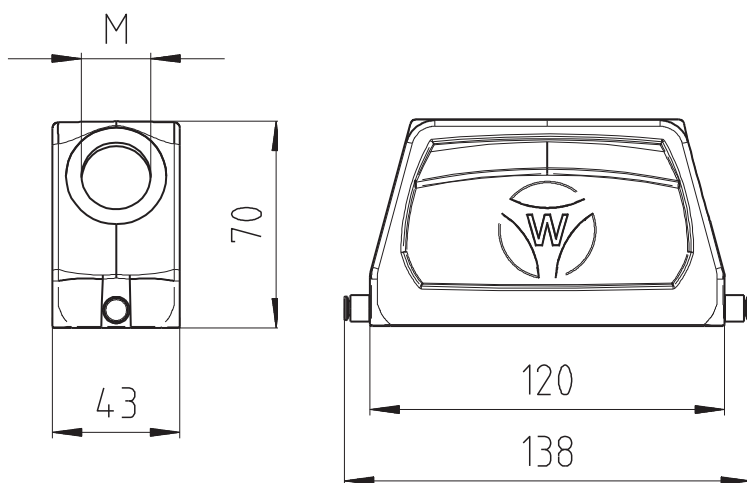
Top cable entry



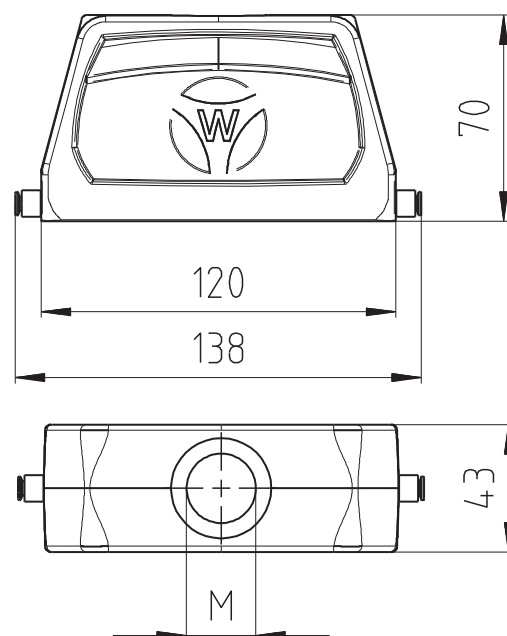
Description	Type	M	Part No.	P.U.
Hoods, size 24	Aluminum housing			
Lateral cable entry M25				
with threaded collar	BAS GOM GG24 M25 B1	25	71.450.2437.1	1
Top cable entry M25				
with threaded collar	BAS GOM GI24 M25 B1	25	71.452.2437.1	1
Technical data				
Material	Die cast aluminum alloy			
Surface	-			
Corrosion protection (NSS)	> 1500 hrs according to DIN EN ISO 9227			
Locking levers	-			
Gasket	-			
Degree of protection				
with appropriate cable glands	IP 66 according to DIN EN 60 529			
Protection class according to UL 50	NEMA Type 4/4X/12 (pending)			
Temperature range	-40 ... +120 °C			
Description	Type	M	Part No.	P.U.
Accessories				
Cable gland IP68, nickel-plated brass	Connection range 11 – 18 mm	25	Z5.507.1521.0	10

Dimensions

Lateral cable entry



Top cable entry



Bases, single locking lever Size 6

Bases, Size 6

open



closed 2 x threaded collar



closed 1 x threaded collar, left

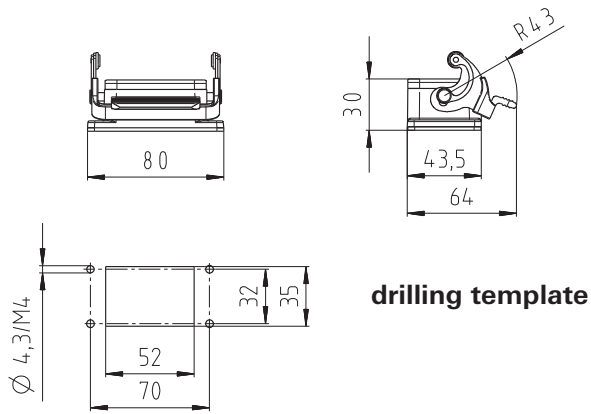


Description	Type	M	Part No.	P.U.
Bases, size 6				
Open-bottom base				
without cover	BAS GUM GK 6 B		70.420.0637.0	1
with metal cover	BAS GUM GP 6 B		70.425.0637.0	1
Closed-bottom base				
2 x threaded collar M20				
without cover	BAS GUM GL 6 M20 B1	20	70.430.0637.1	1
with metal cover	BAS GUM GR 6 M20 B1	20	70.440.0637.1	1
Closed-bottom base				
1 x threaded collar M20, left				
without cover	BAS GUM GM 6 M20 B1	20	70.431.0637.1	1
with metal cover	BAS GUM GS 6 M20 B1	20	70.441.0637.1	1
Technical data				
Material	Die cast aluminum alloy			
Surface	-			
Corrosion protection (NSS)	> 1500 hrs according to DIN EN ISO 9227			
Locking levers	Handle: heatresistant thermoplastic Locking lever: stainless steel			
Gasket	Fluorine Elastomer			
Degree of protection				
with appropriate cable glands	IP 66 according to DIN EN 60 529			
Protection class according to UL 50	NEMA Type 4/4X/12 (pending)			
Temperature range	-40 ... +120 °C			

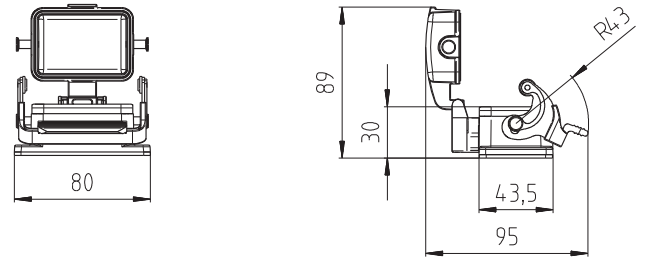
Description	Type	M	Part No.	P.U.
Accessories				
Cable gland IP68, nickel-plated brass	Connection range 8 – 13 mm	20	Z5.507.1321.0	10

Dimensions

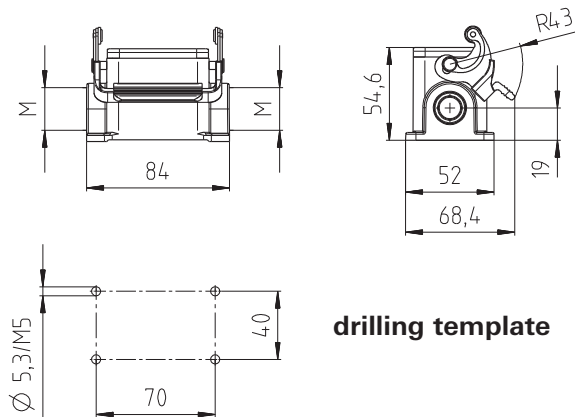
**open
without cover**



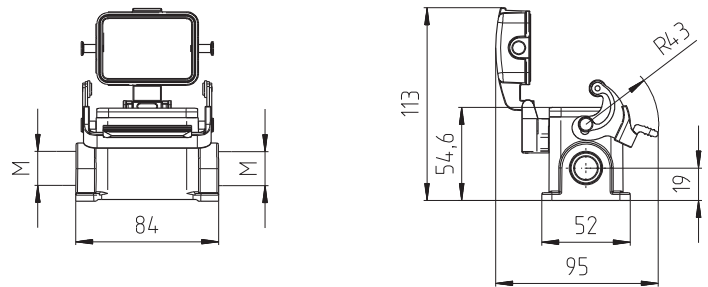
with metal cover



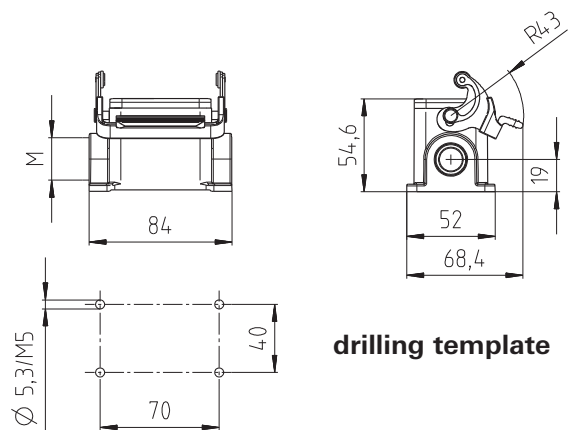
**closed, 2 x threaded collar
without cover**



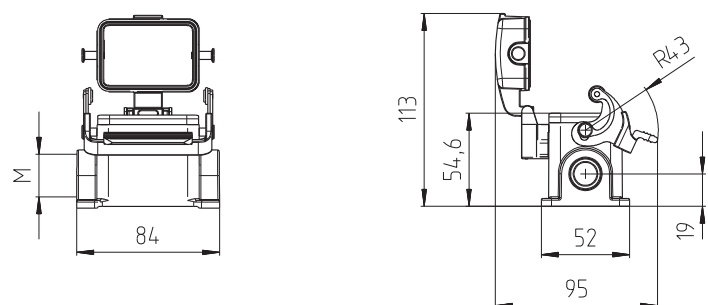
with metal cover



**closed, 1 x threaded collar, left
without cover**



with metal cover



Bases, single locking lever Size 10

Bases, Size 10

open



closed
2 x threaded collar



closed
1 x threaded collar, left

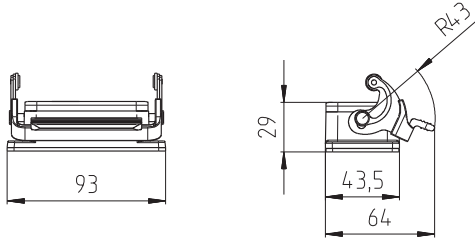


Description	Type	M	Part No.	P.U.
Bases, size 10				
Open-bottom base				
without cover	BAS GUM GK 10 B		71.420.1037.0	1
with metal cover	BAS GUM GP 10 B		71.425.1037.0	1
Closed-bottom base				
2 x threaded collar M20				
without cover	BAS GUM GL 10 M20 B1	20	71.430.1037.1	1
with metal cover	BAS GUM GR 10 M20 B1	20	71.440.1037.1	1
Closed-bottom base				
1 x threaded collar M20, left				
without cover	BAS GUM GM 10 M20 B1	20	71.431.1037.1	1
with metal cover	BAS GUM GS 10 M20 B1	20	71.441.1037.1	1
Technical data				
Material	Die cast aluminum alloy			
Surface	-			
Corrosion protection (NSS)	> 1500 hrs according to DIN EN ISO 9227			
Locking levers	Handle: heatresistant thermoplastic Locking lever: stainless steel			
Gasket	Fluorine Elastomer			
Degree of protection				
with appropriate cable glands	IP 66 according to DIN EN 60 529			
Protection class according to UL 50	NEMA Type 4/4X/12 (pending)			
Temperature range	-40 ... +120 °C			

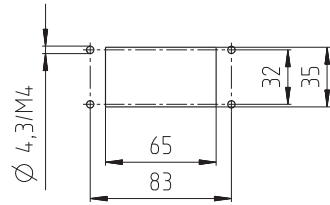
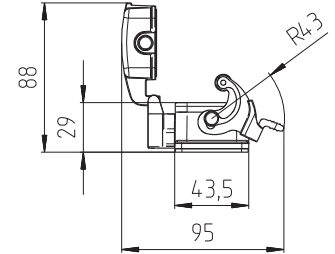
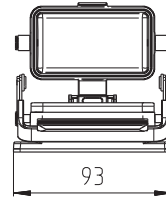
Description	Type	M	Part No.	P.U.
Accessories				
Cable gland IP68, nickel-plated brass	Connection range 8 – 13 mm	20	Z5.507.1321.0	10

Dimensions

**open
without cover**

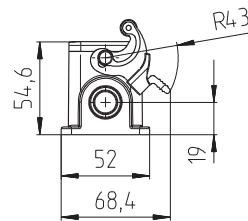
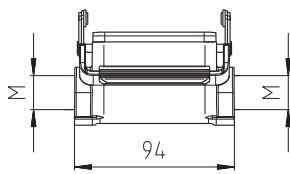


with metal cover

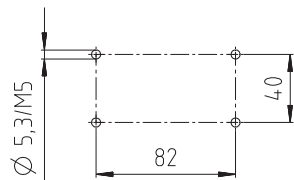
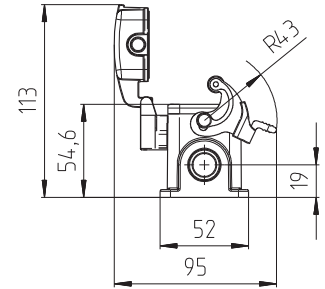
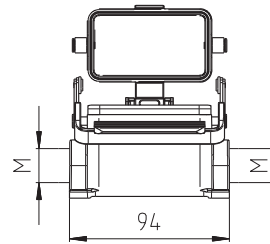


drilling template

**closed, 2 x threaded collar
without cover**

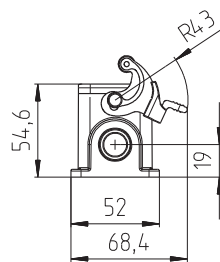
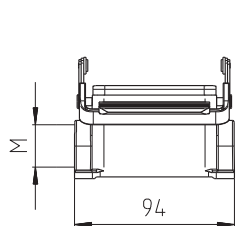


with metal cover

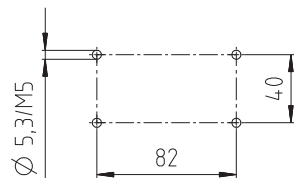
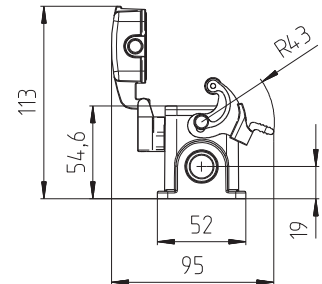
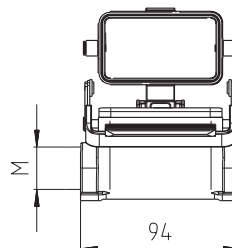


drilling template

**closed, 1 x threaded collar, left
without cover**



with metal cover



drilling template

Bases, single locking lever Size 16

Bases, Size 16

open



closed 2 x threaded collar



closed 1 x threaded collar, left

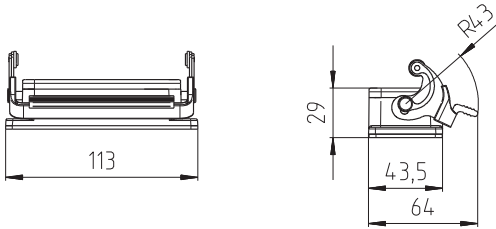


Description	Type	M	Part No.	P.U.
Bases, size 16				
Open-bottom base				
without cover	BAS GUM GK 16 B		71.420.1637.0	1
with metal cover	BAS GUM GP 16 B		71.425.1637.0	1
Closed-bottom base				
2 x threaded collar M25				
without cover	BAS GUM GL 16 M25 B1	25	71.430.1637.1	1
with metal cover	BAS GUM GR 16 M25 B1	25	71.440.1637.1	1
Closed-bottom base				
1 x threaded collar M25, left				
without cover	BAS GUM GM 16 M25 B1	25	71.431.1637.1	1
with metal cover	BAS GUM GS 16 M25 B1	25	71.441.1637.1	1
Technical data				
Material	Die cast aluminum alloy			
Surface	-			
Corrosion protection (NSS)	> 1500 hrs according to DIN EN ISO 9227			
Locking levers	Handle: heatresistant thermoplastic Locking lever: stainless steel			
Gasket	Fluorine Elastomer			
Degree of protection				
with appropriate cable glands	IP 66 according to DIN EN 60 529			
Protection class according to UL 50	NEMA Type 4/4X/12 (pending)			
Temperature range	-40 ... +120 °C			

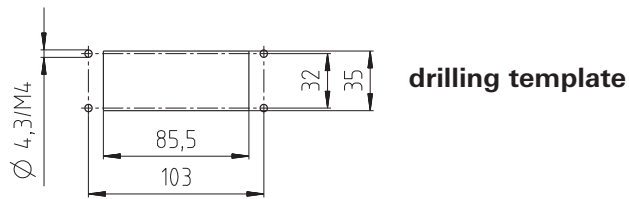
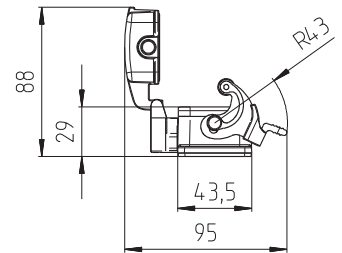
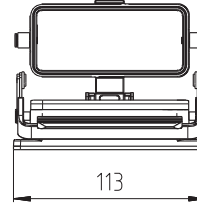
Description	Type	M	Part No.	P.U.
Accessories				
Cable gland IP68, nickel-plated brass	Connection range 11 – 18 mm	25	Z5.507.1521.0	10

Dimensions

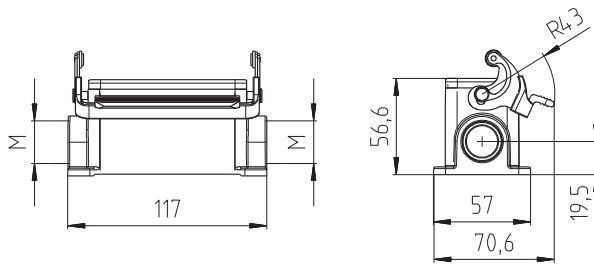
**open
without cover**



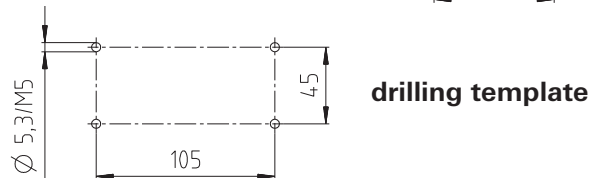
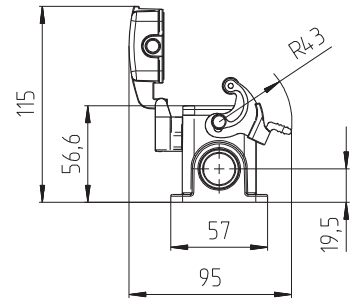
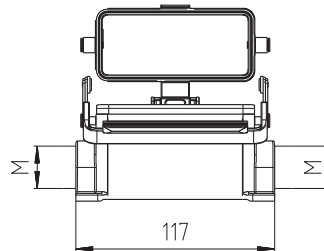
with metal cover



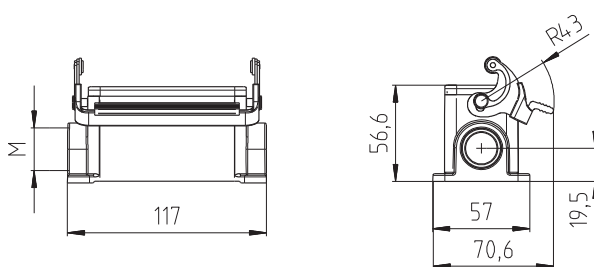
**closed, 2 x threaded collar
without cover**



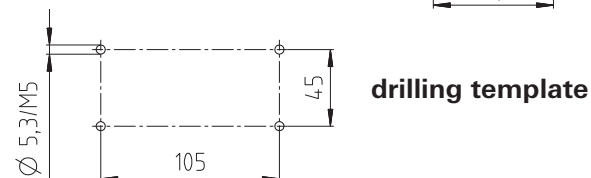
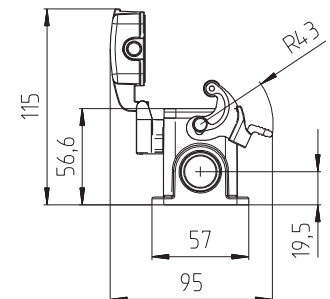
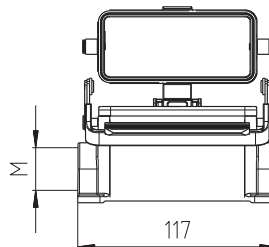
with metal cover



**closed, 1 x threaded collar, left
without cover**



with metal cover



Bases, single locking lever Size 24

Bases, Size 24

open



closed 2 x threaded collar



closed 1 x threaded collar, left

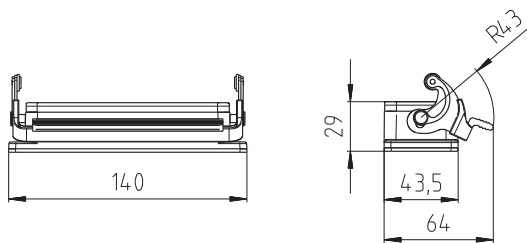


Description	Type	M	Part No.	P.U.
Bases, size 24				
Open-bottom base				
without cover	BAS GUM GK 24 B		71.420.2437.0	1
with metal cover	BAS GUM GP 24 B		71.425.2437.0	1
Closed-bottom base				
2 x threaded collar M25				
without cover	BAS GUM GL 24 M25 B1	25	71.430.2437.1	1
with metal cover	BAS GUM GR 24 M25 B1	25	71.440.2437.1	1
Closed-bottom base				
1 x threaded collar M25, left				
without cover	BAS GUM GM 24 M25 B1	25	71.431.2437.1	1
with metal cover	BAS GUM GS 24 M25 B1	25	71.441.2437.1	1
Technical data				
Material	Die cast aluminum alloy			
Surface	-			
Corrosion protection (NSS)	> 1500 hrs according to DIN EN ISO 9227			
Locking levers	Handle: heatresistant thermoplastic Locking lever: stainless steel			
Gasket	Fluorine Elastomer			
Degree of protection				
with appropriate cable glands	IP 66 according to DIN EN 60 529			
Protection class according to UL 50	NEMA Type 4/4X/12 (pending)			
Temperature range	-40 ... +120 °C			

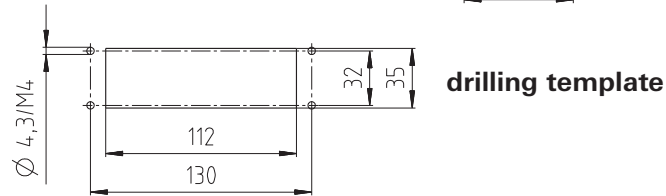
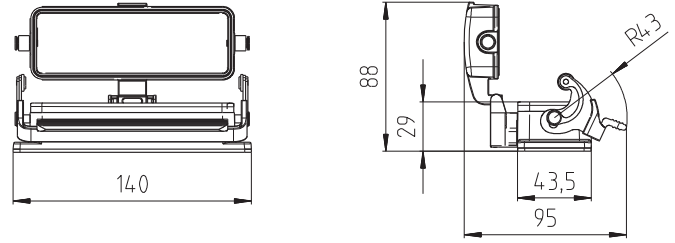
Description	Type	M	Part No.	P.U.
Accessories				
Cable gland IP68, nickel-plated brass	Connection range 11 – 18 mm	25	Z5.507.1521.0	10

Dimensions

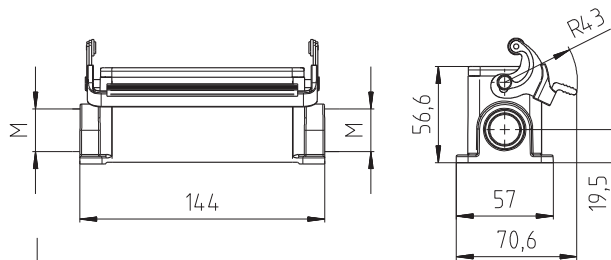
open
without cover



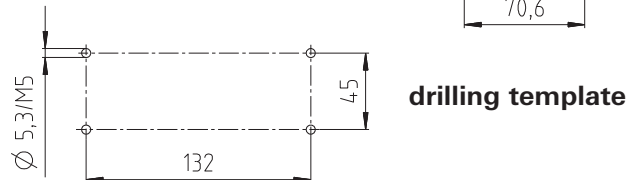
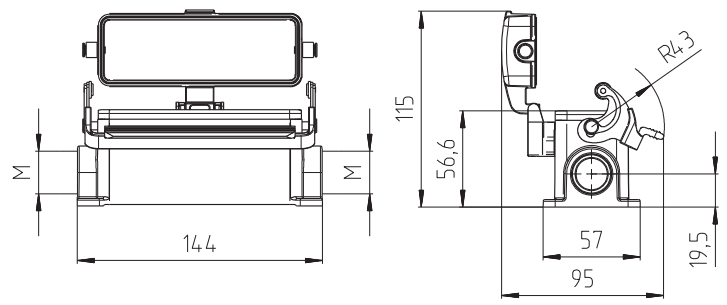
with metal cover



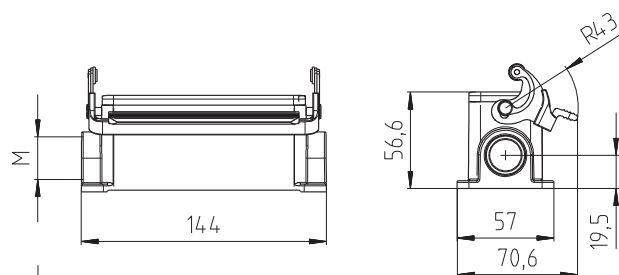
closed, 2 x threaded collar
without cover



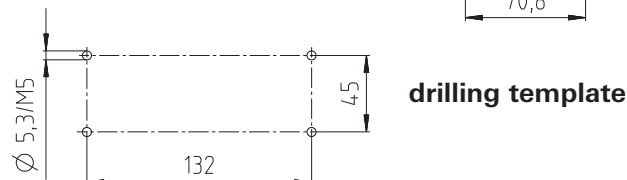
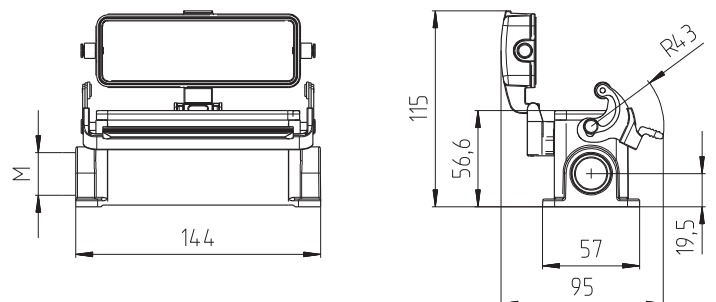
with metal cover



closed, 1 x threaded collar, left
without cover



with metal cover





USA
Wieland Electric Inc.
North American Headquarters
2889 Brighton Road
Oakville, Ontario L6H 6C9
Phone +1 905 8298414
Fax +1 905 829 413
www.wielandinc.com



CANADA
Wieland Electric Inc.
North American Headquarters
2889 Brighton Road
Oakville, Ontario L6H 6C9
Phone +1 905 8298414
Fax +1 905 829 413
www.wieland-electric.ca



GREAT BRITAIN
Wieland Electric Ltd.
Riverside Business Center,
Walnut Tree Close
GB Guildford/Surrey GU1 4UG
Phone +44 1483 531213
Fax +44 1483 505029
sales.uk@wieland-electric.com
www.wieland.co.uk



FRANCE
Wieland Electric SARL.
Le Cérame, Hall 6
47, avenue des Genottes
CS 48313,
95803 Cergy-Pontoise Cedex
Phone +33 1 30320707
Fax +33 1 30320717
info.france@wieland-electric.com
www.wieland-electric.fr



SPAIN
Wieland Electric S.L.
C/ Maria Auxiliadora 2, barcelo
E-08017 Barcelona
Phone +34 93 2523820
Fax +34 93 2523825
ventas@wieland-electric.com
www.wieland-electric.es



ITALY
Wieland Electric S.r.l.
Via Edison, 209
I-20019 Settimo Milanese
Phone +39 02 48 916357
Fax +39 02 48 920685
info.italy@wieland-electric.com
www.wieland-electric.it



BELGIUM & GD LUXEMBOURG
ATEM-Wieland Electric NV
Bedrijvenpark De Veert 4
B-2830 Willebroek
Phone +32 3 8661800
Fax +32 3 8661828
info.belgium@wieland-electric.com
www.wieland-electric.be



DENMARK
Wieland Electric A/S
Vallørækken 26
DK-4600 Køge
Phone +45 70 266635
Fax +45 70 266637
sales.denmark@wieland-electric.com
www.wieland-electric.dk



SWITZERLAND
Wieland Electric AG
Harzachstrasse 2b
CH-8404 Winterthur
Phone +41 52 2352100
Fax +41 52 2352119
info.swiss@wieland-electric.com
www.wieland-electric.ch



POLAND
Wieland Electric Sp. z o.o.
Św. Antoniego 8
62-080 Swadzim
Phone +48 61 2225400
Fax +48 61 8407166
office@wieland-electric.pl
www.wieland-electric.pl



CHINA
Wieland Electric Trading
Unit 2703 International Soho City
889 Renmin Road,
Huang Pu District
PRC-Shanghai 200010
Phone +86 21 63555833
Fax +86 21 63550090
info-shanghai@wieland-electric.com
www.wieland-electric.cn



JAPAN
Wieland Electric Co, Ltd.
Nisso No. 16 Bldg. 7F
3-8-8 Shin-Yokohama,
Kohoku-ku
Yokohama 222-0033
Phone +81 45 473 5085
Fax +81 45 470 5408
info-japan@wieland-electric.com



GERMANY
Headquarters
Wieland Electric GmbH
Brennerstraße 10 – 14
96052 Bamberg, Germany
Phone +49 951 9324-0
Fax +49 951 9324-198
info@wieland-electric.com
www.wieland-electric.de

Sales Partner:

**You can reach us worldwide in more than 70 countries.
Find the contact address at: www.wieland-electric.com**

Subject to technical modifications!
gesis®, **RST**®, **GST**®, **GST18**®, **podis**®, **samos**® and **saris**®
are registered trademarks of Wieland Electric GmbH

**contacts
are
green.**