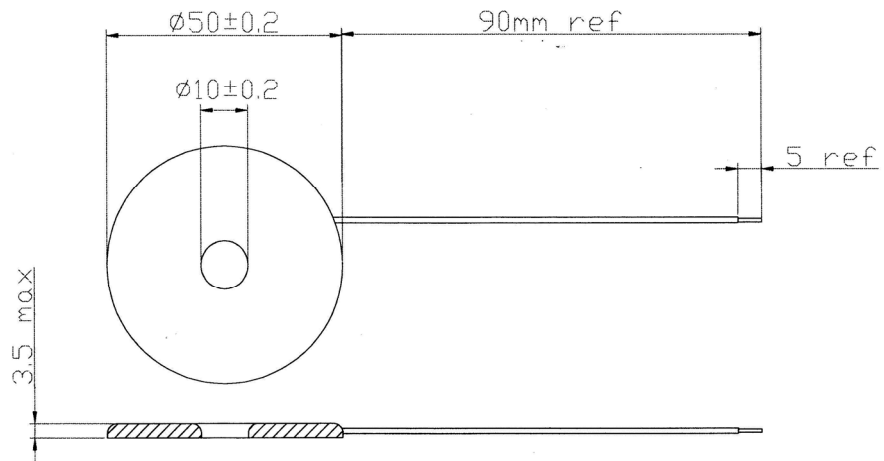


Self-regulating heater bespoke assembly, suitable for adhesive mounting or clamping.
Typical applications - Sensitive electronics that should be maintained at an optimum heat temperature.



Description:~

A pre-calibrated set of PTC discs mounted in series, onto a copper substrate, with lead attachments.

Specification:~

Features	Options
Self-regulating heater	Wire – stranded - solid
Suitable for adhesive or clamp mounting	Wire lengths
Typical thickness 3mm	Wire Insulation
ROHS compliant	Customised Copper substrate
	Resistances and switch temperatures can be reviewed.

Currently Available PTC Outputs:~

	Type 1	Type 2
Operating Temperature	-40°C + 85°C	-35°C to +85°C
Suitable for voltage	22 to 35 V dc	12 – 28 V dc or ac
Breakdown voltage	$V_{BR} > 100 V_{rms}$	V_{BR}
Power output	$T_A -40^\circ C$ 5.5W max	$T_A -40^\circ C$ 5.5W max
	$T_A +50^\circ C$ 0.2W max	$T_A +50^\circ C$ 0.2W max
Resistance	R_{-40} 15.0 ohms $\pm 10\%$	R_{-35} 2.5 ohms nominal
	R_{+50} 4.5k ohms Min	R_{+50} 750 ohms nominal
	R_{+85} 2.0M ohms Min	
Surface temperature	$T_A +35^\circ C$ at ambient $-20^\circ C$	$T_A +25^\circ C$ at ambient $35^\circ C$
	$T_A +20^\circ C$ at $-50^\circ C$ ambient	$T_A +20^\circ C$ at $-50^\circ C$ ambient
Switching Temperature	$T_b -10^\circ C$ ref	$T_b -5^\circ C$ ref

Notes:~

Samples are supplied for evaluation purposes only. If it is intended to subject the product to a qualification approval program involving endurance & environmental tests please consult Willow Technologies Ltd.